



US00D376361S

# United States Patent [19]

Lee

[11] Patent Number: **Des. 376,361**

[45] Date of Patent: **\*\*Dec. 10, 1996**

[54] **RADIO**

[75] Inventor: **Tung-Lam Lee, Shatin, Hong Kong**

[73] Assignee: **Huge China Industrial Ltd., Hong Kong**

[\*\*] Term: **14 Years**

[21] Appl. No.: **48,886**

[22] Filed: **Jan. 16, 1996**

[52] U.S. Cl. .... **D14/192; D14/197**

[58] Field of Search ..... **D14/124, 157, D14/168, 188, 192-198, 257, 265, 299; 455/344, 347, 350, 351**

[56] **References Cited**

**U.S. PATENT DOCUMENTS**

D. 274,246 6/1984 Aoijs ..... D14/194  
D. 296,695 7/1988 Siegel et al. .... D14/194

D. 327,269 6/1992 Totsuka et al. .... D14/194 X  
D. 364,164 11/1995 Hanig ..... D14/192

*Primary Examiner*—Sandra L. Morris

*Assistant Examiner*—Nanda Bondade

*Attorney, Agent, or Firm*—Burns, Doane, Swecker & Mathis

[57] **CLAIM**

The ornamental design for a radio, as shown and described.

**DESCRIPTION**

FIG. 1 is the perspective view of a radio showing my new design;

FIG. 2 is the front elevational view thereof;

FIG. 3 is the left side view thereof;

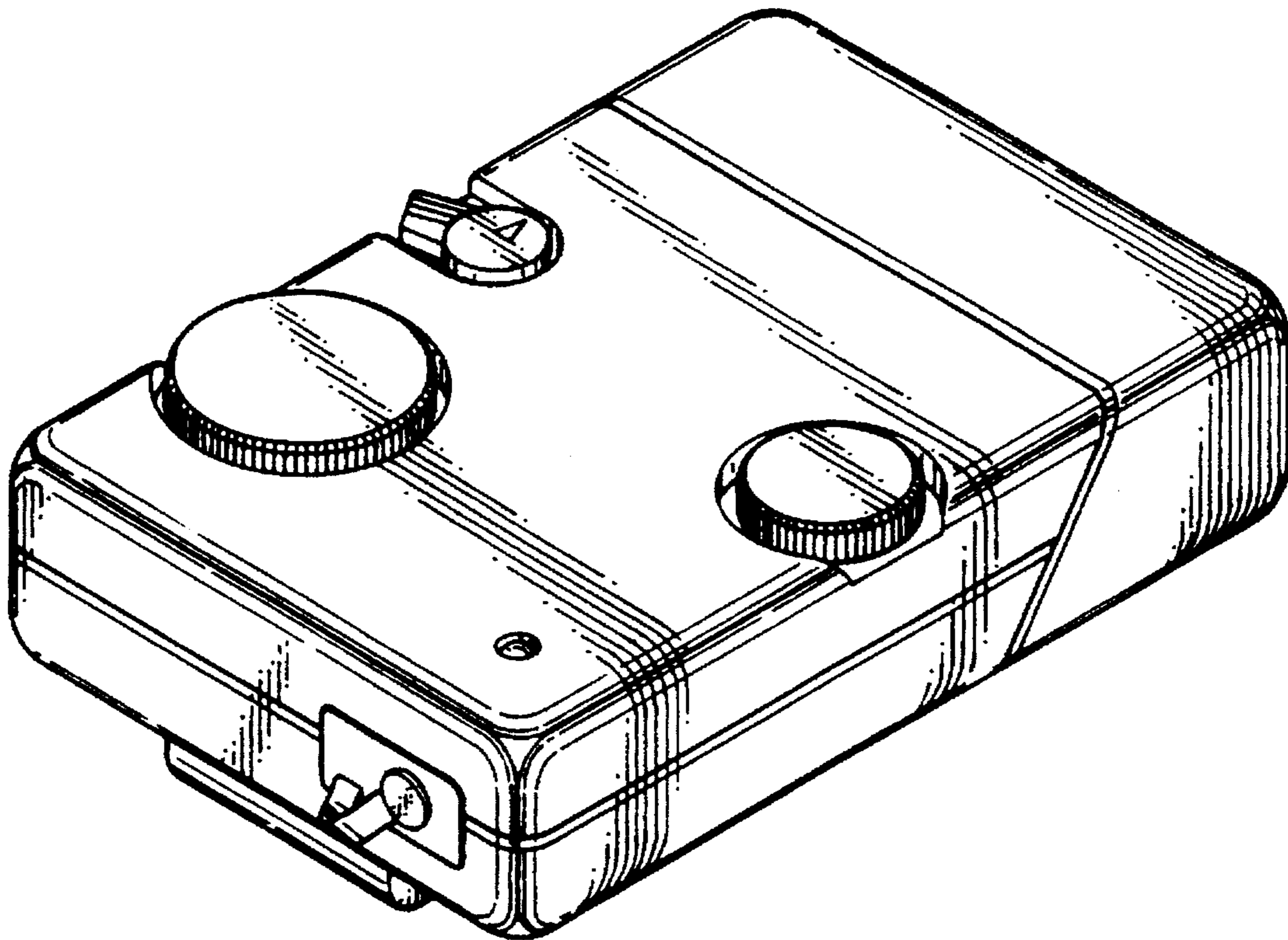
FIG. 4 is the top view thereof;

FIG. 5 is the rear elevational view thereof;

FIG. 6 is the right side view thereof; and,

FIG. 7 is the bottom view thereof.

**1 Claim, 3 Drawing Sheets**



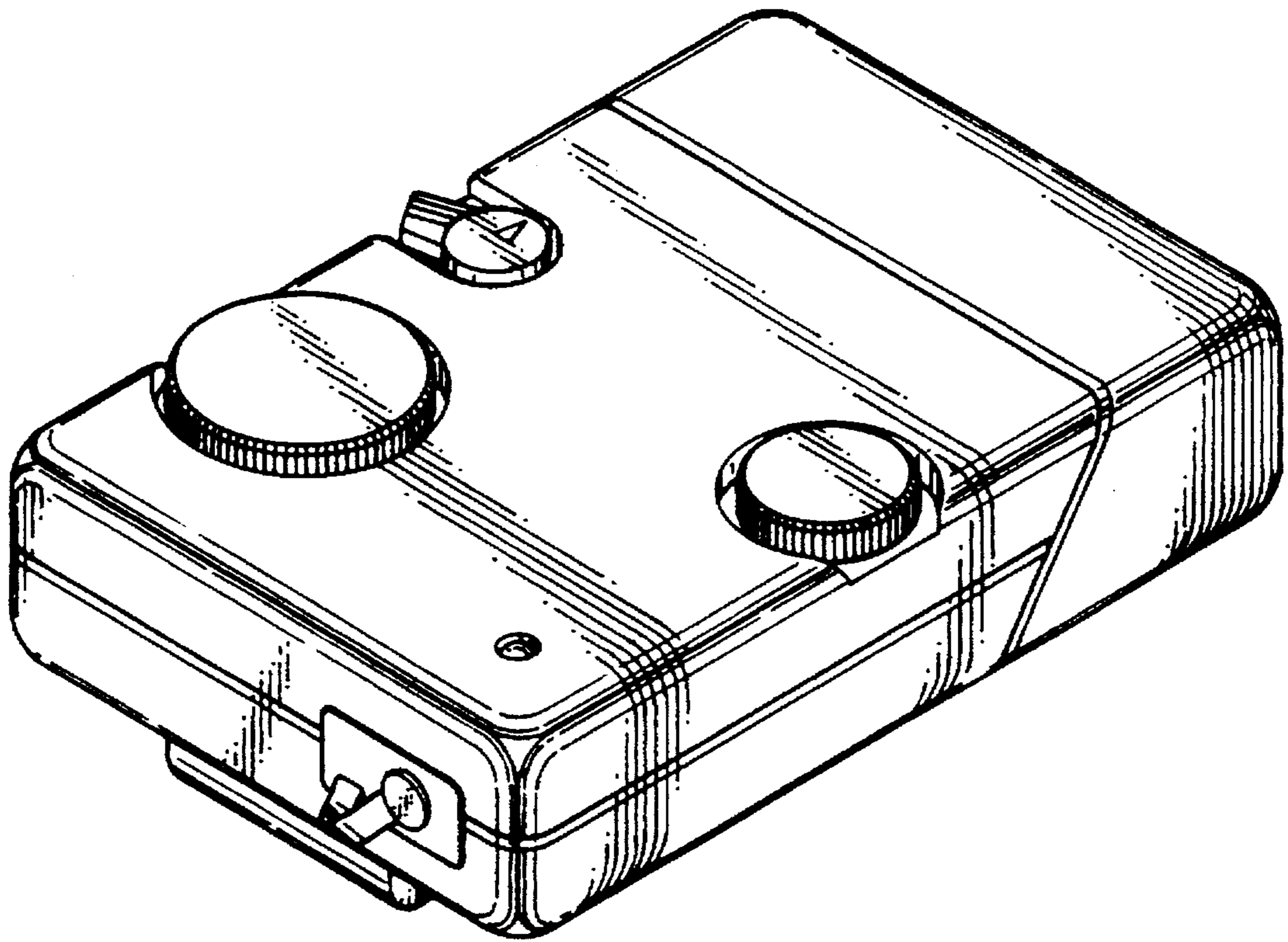


FIG. 1

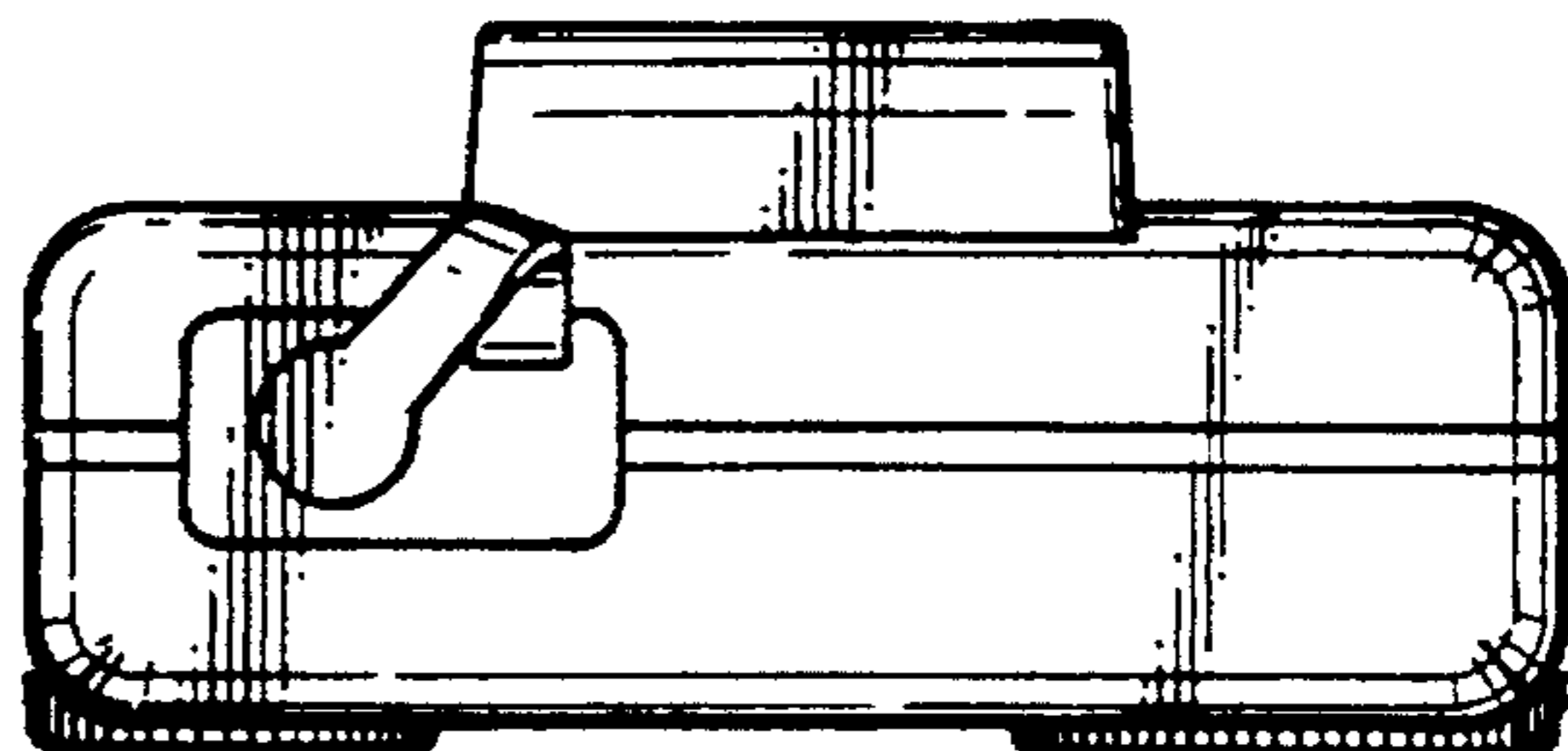


FIG. 4

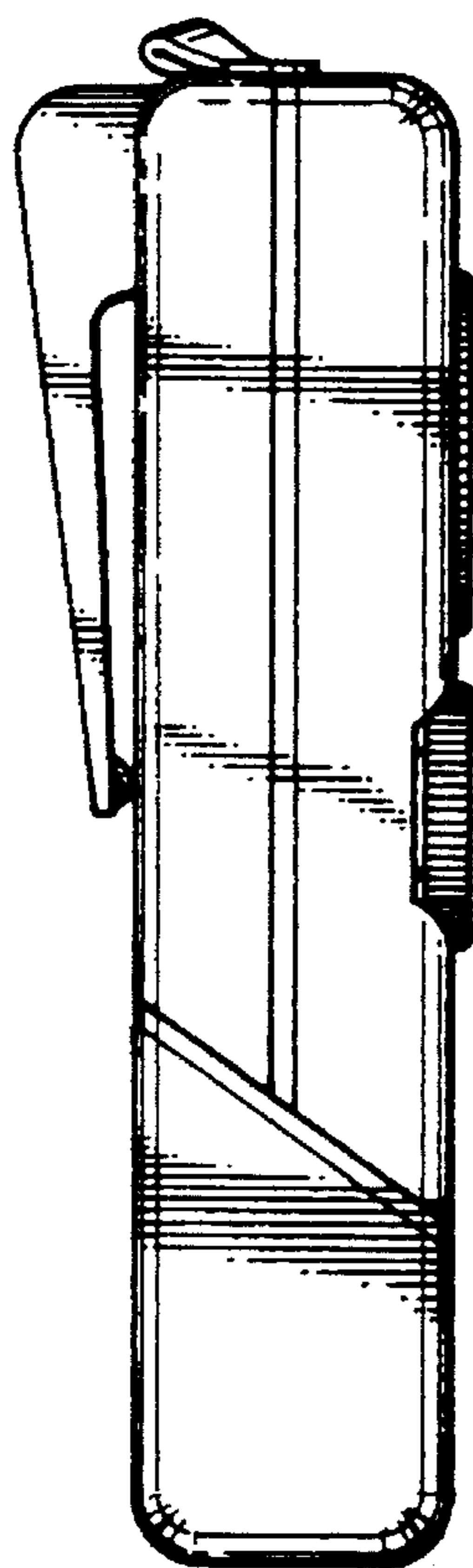


FIG. 3

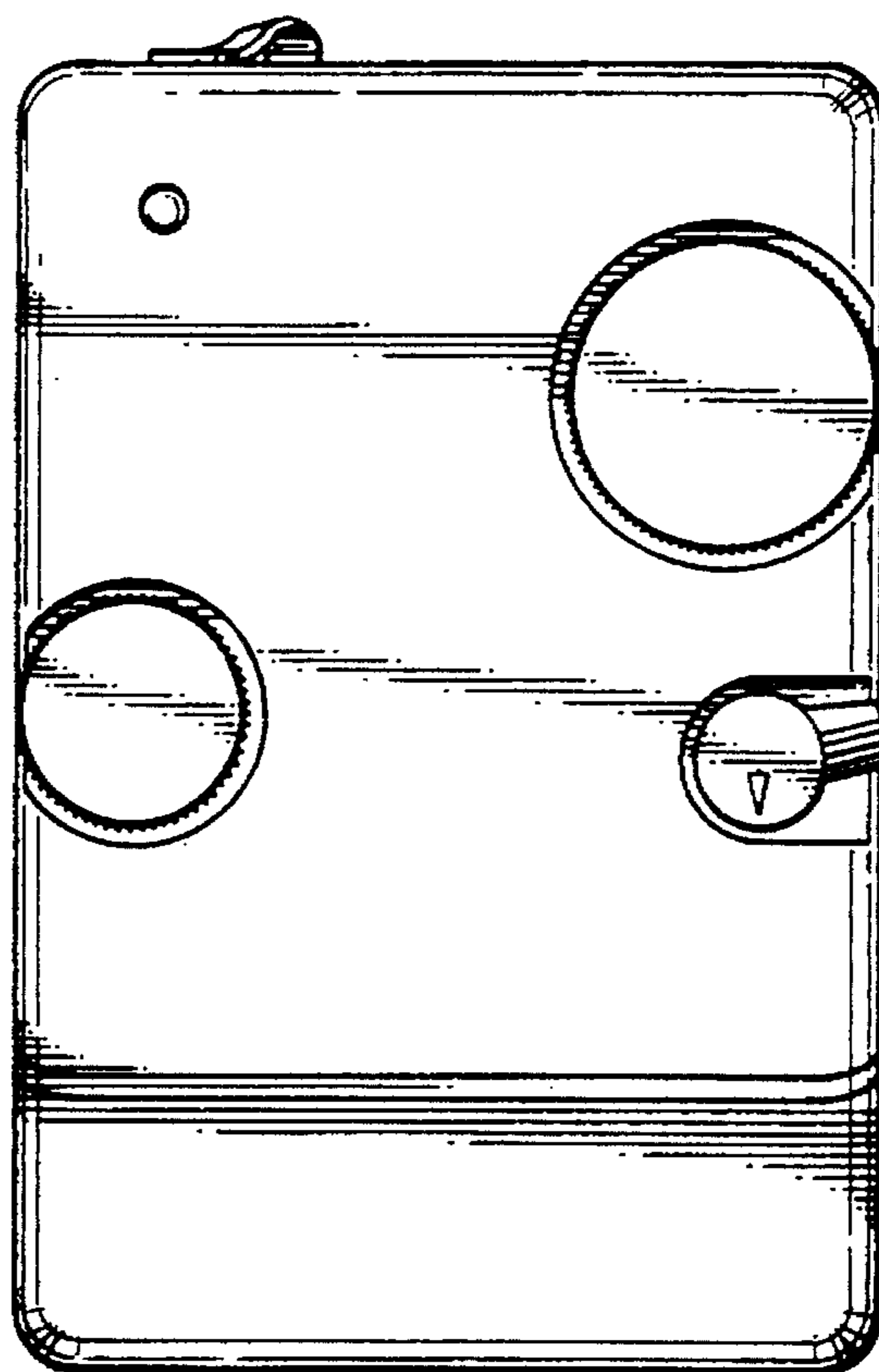


FIG. 2

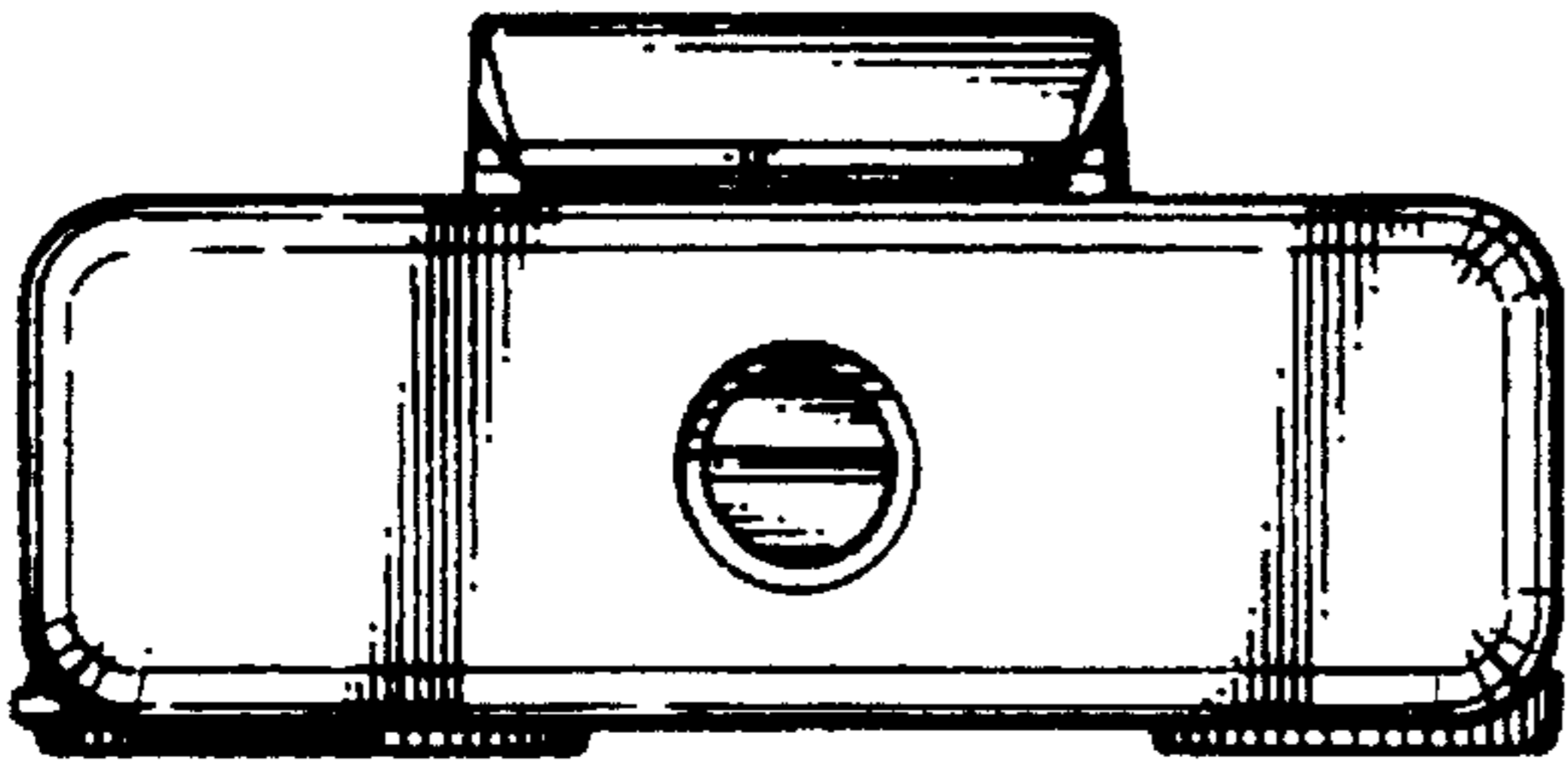


FIG. 7

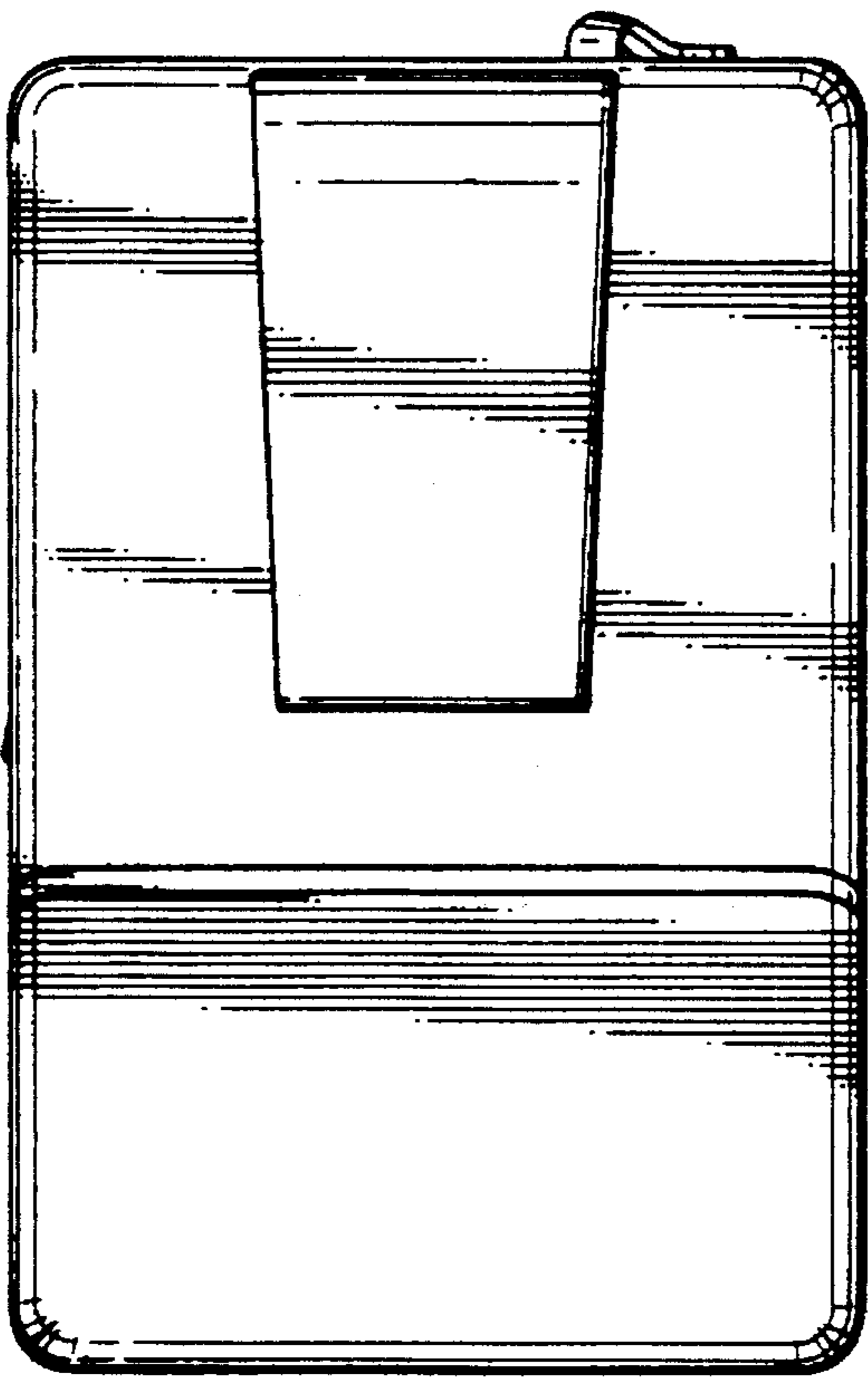


FIG. 5

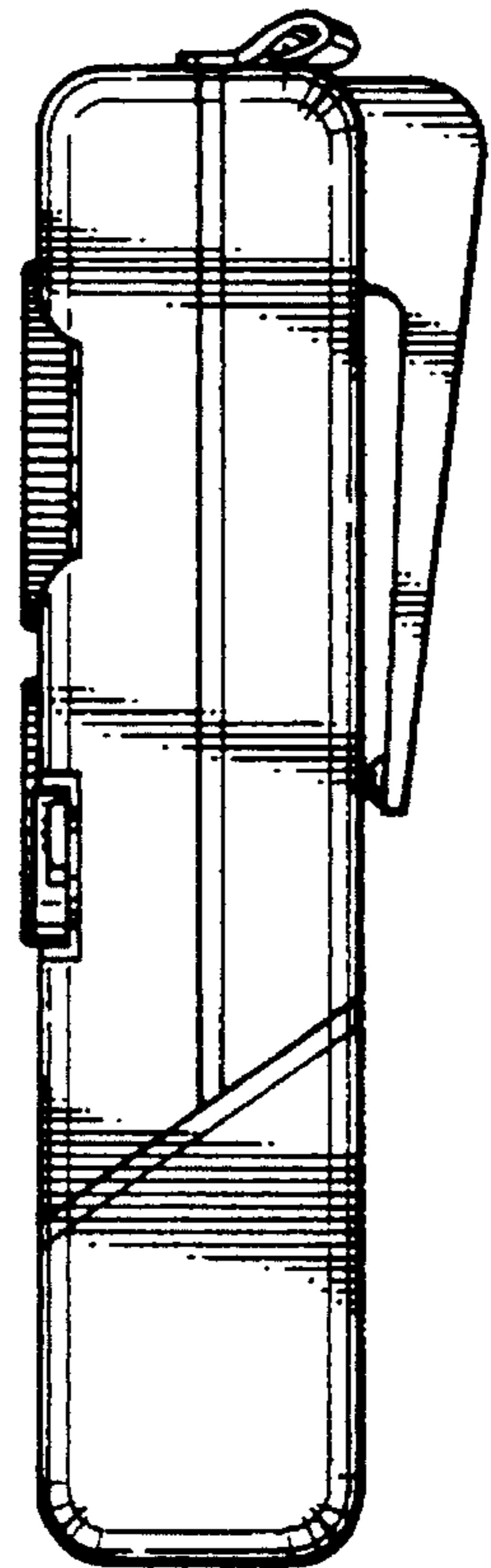


FIG. 6