



US00D376360S

United States Patent [19]

[11] Patent Number: **Des. 376,360**

Teulie

[45] Date of Patent: ****Dec. 10, 1996**

[54] **AMPLIFIER**

[57] **CLAIM**

[76] Inventor: **Douglas W. Teulie**, 9 Prarie Falcon, Aliso Viejo, Calif. 92656

The ornamental design for an amplifier, as shown and described.

[**] Term: **14 Years**

DESCRIPTION

[21] Appl. No.: **43,120**

FIG. 1 is a top plan view of an amplifier showing my new design;

[22] Filed: **Aug. 25, 1995**

FIG. 2 is a front elevational view thereof;

[52] U.S. Cl. **D14/188**

FIG. 3 is a rear elevational view thereof;

[58] Field of Search D12/124, 137, D12/156-157, 162, 164, 168-169, 188-198, 265, 299; 455/344, 347, 350-351

FIG. 4 is a bottom plan view thereof;

FIG. 5 is a right side elevational view thereof;

FIG. 6 is a left side elevational view thereof;

FIG. 7 is a perspective view thereof;

[56] **References Cited**

FIG. 8 is a top plan view of a second embodiment of FIG. 1;

U.S. PATENT DOCUMENTS

D. 276,335	11/1984	Yoshida	D14/157
D. 292,924	11/1987	Yoshida	D14/157
D. 305,760	1/1990	Davidson	D14/157
D. 315,554	3/1991	Hill	D14/107
D. 316,553	4/1991	Azima	D14/188 X
D. 328,073	7/1992	Yamakawa	D14/168

FIG. 9 is a front elevational view of FIG. 8;

FIG. 10 is a rear elevational view of FIG. 8;

FIG. 11 is a bottom plan view of FIG. 8;

FIG. 12 is a right side elevational view of FIG. 8;

FIG. 13 is a left side elevational view of FIG. 8; and,

FIG. 14 is a perspective view of FIG. 8.

FIGS. 7 and 14 are on a reduced scale.

Primary Examiner—Sandra L. Morris
Assistant Examiner—Nanda Bondade
Attorney, Agent, or Firm—Curtis L. Harrington

1 Claim, 8 Drawing Sheets

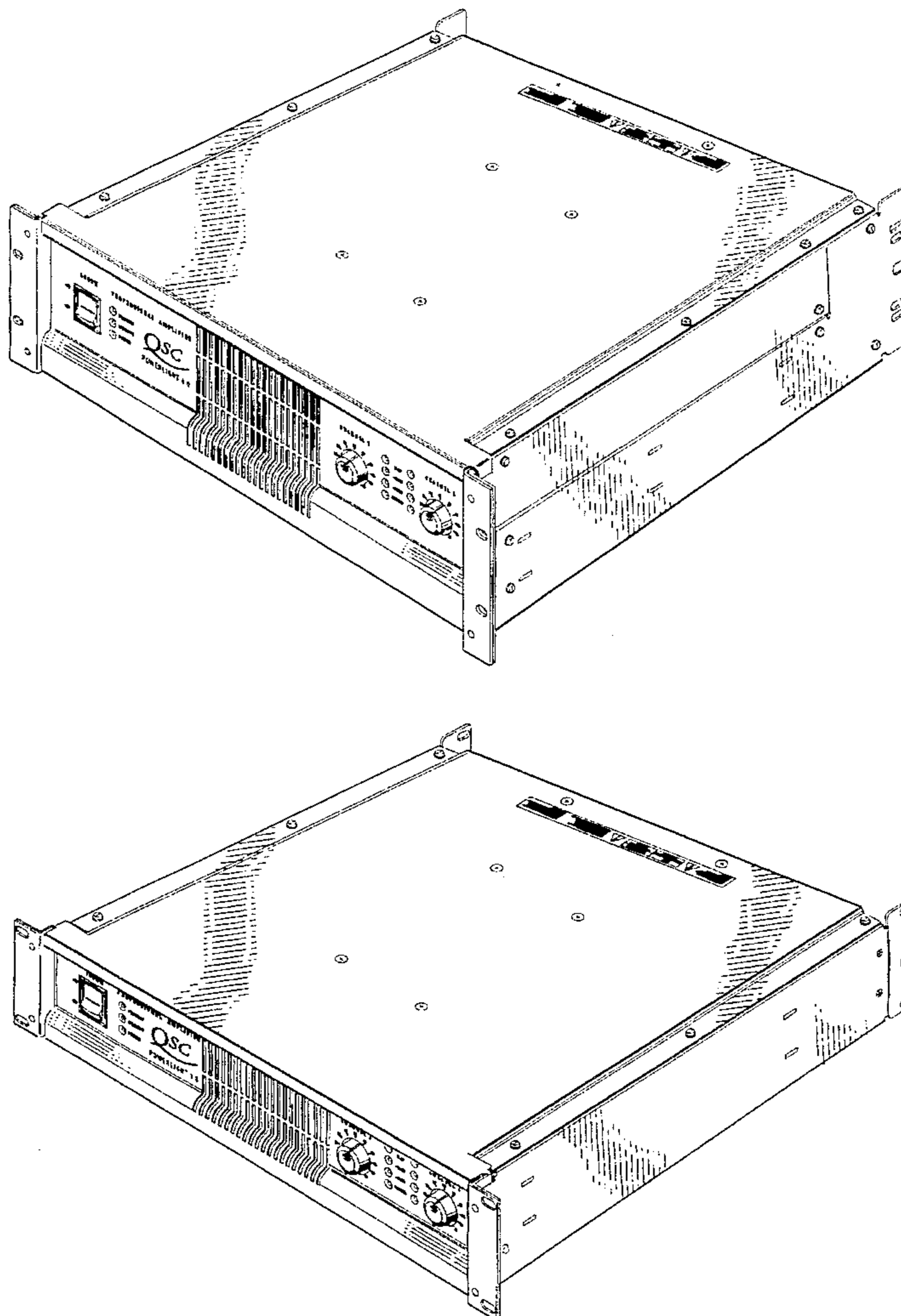


Fig. 1

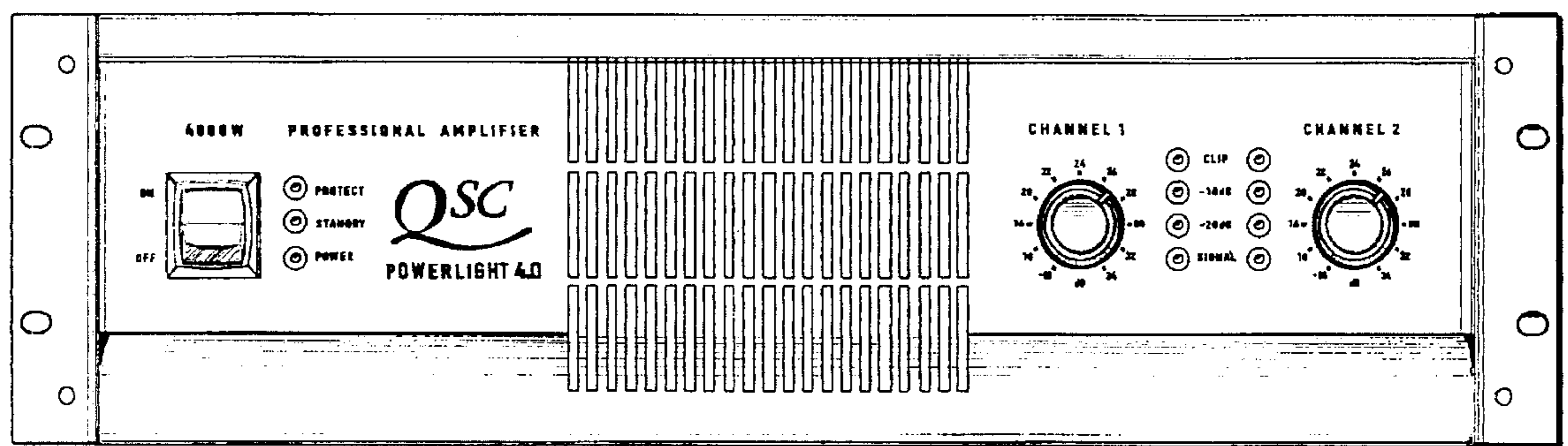
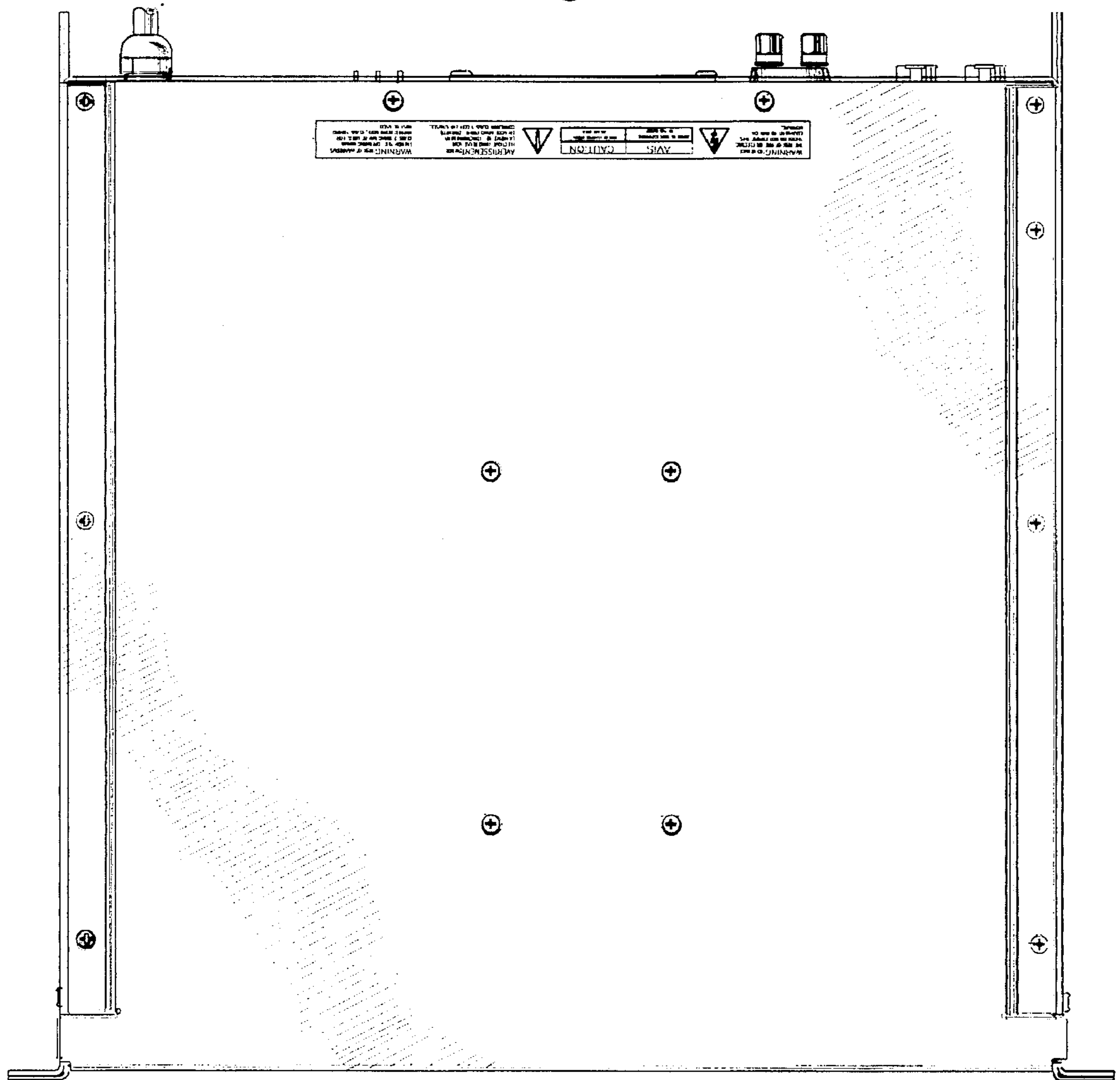


Fig. 2

Fig. 3

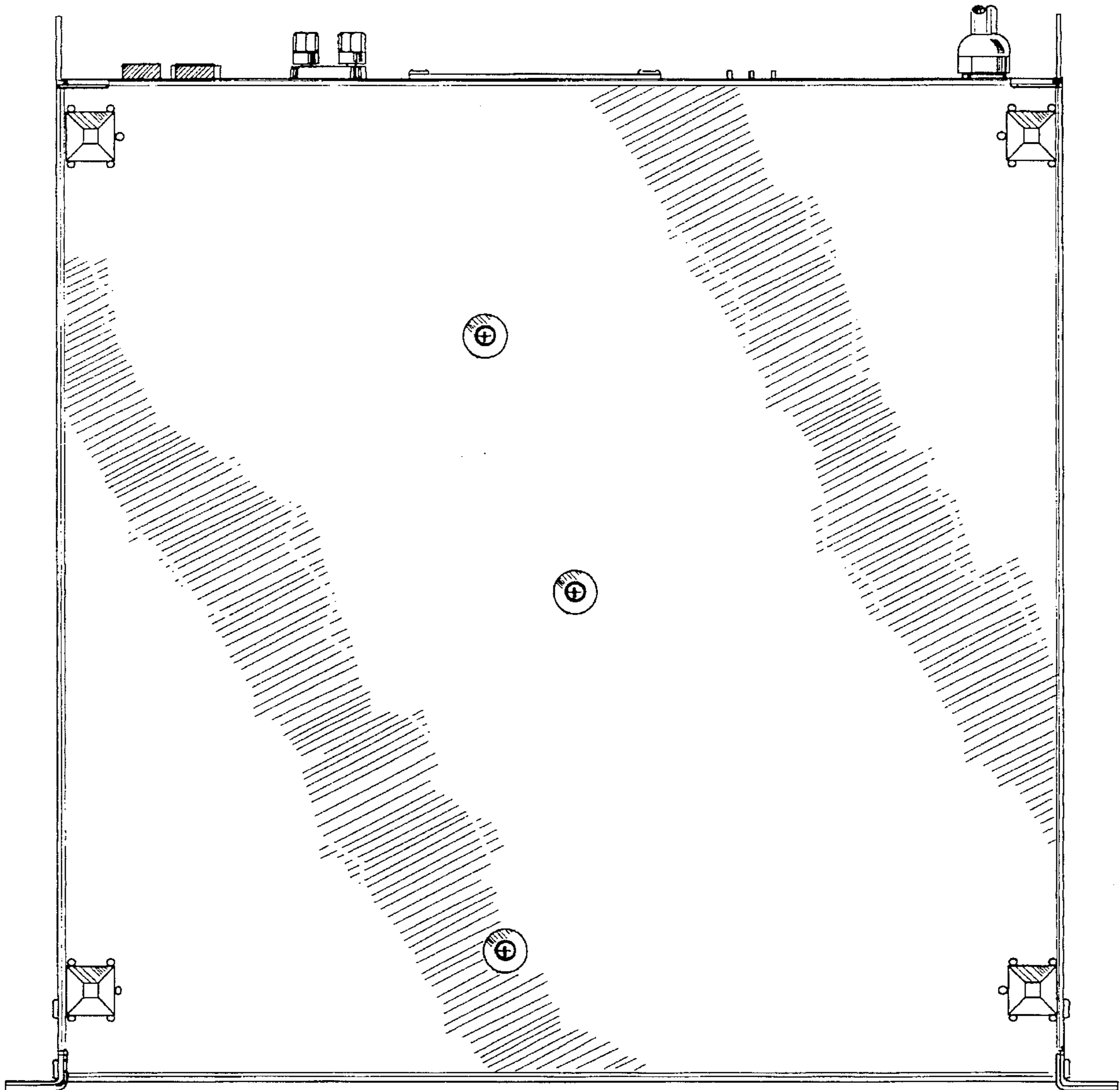
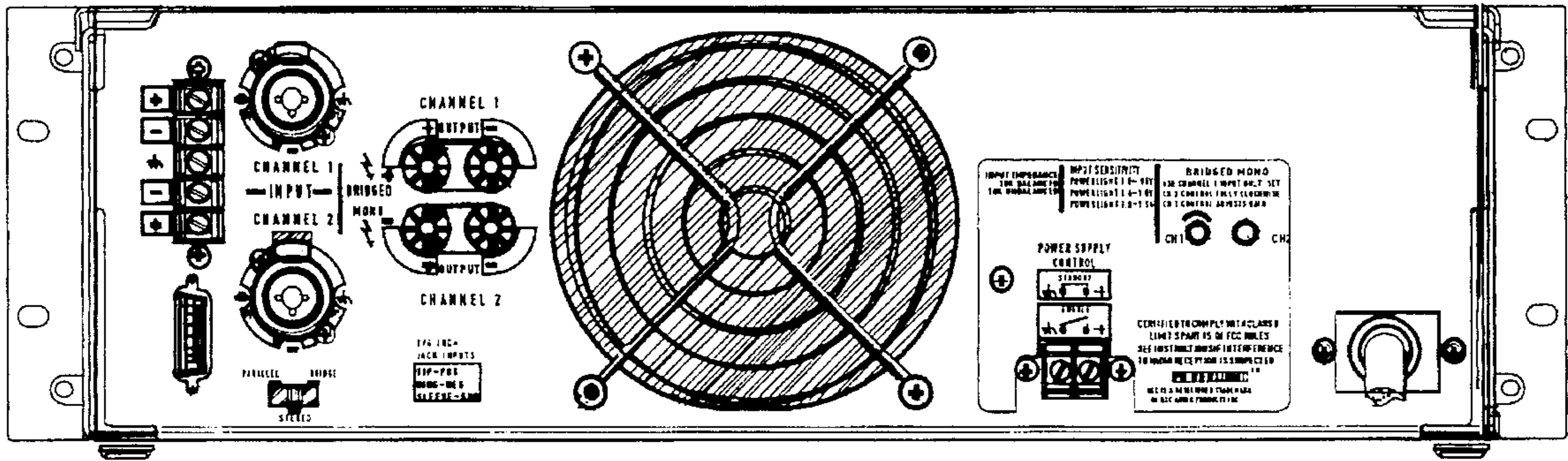


Fig. 4

Fig. 5

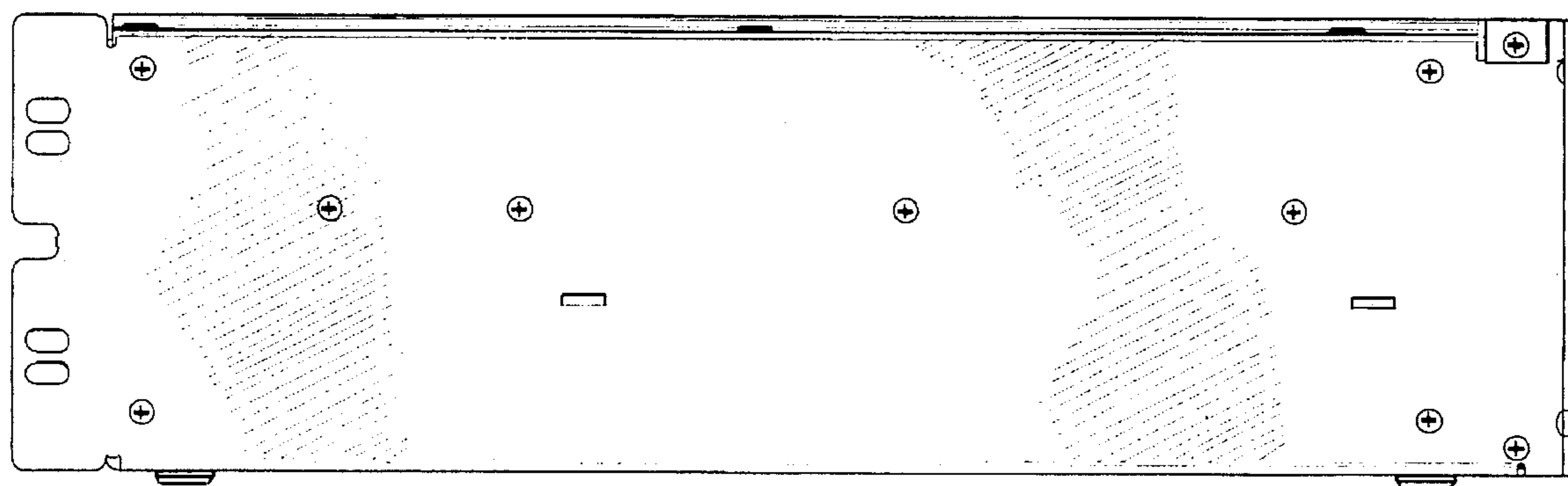
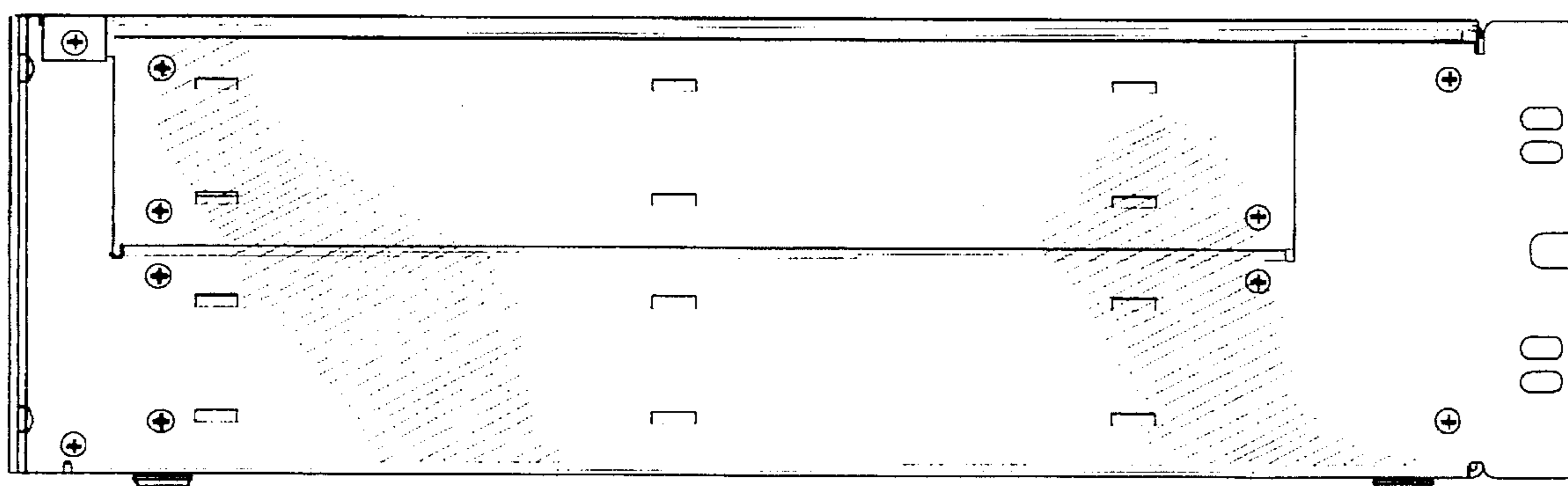


Fig. 6

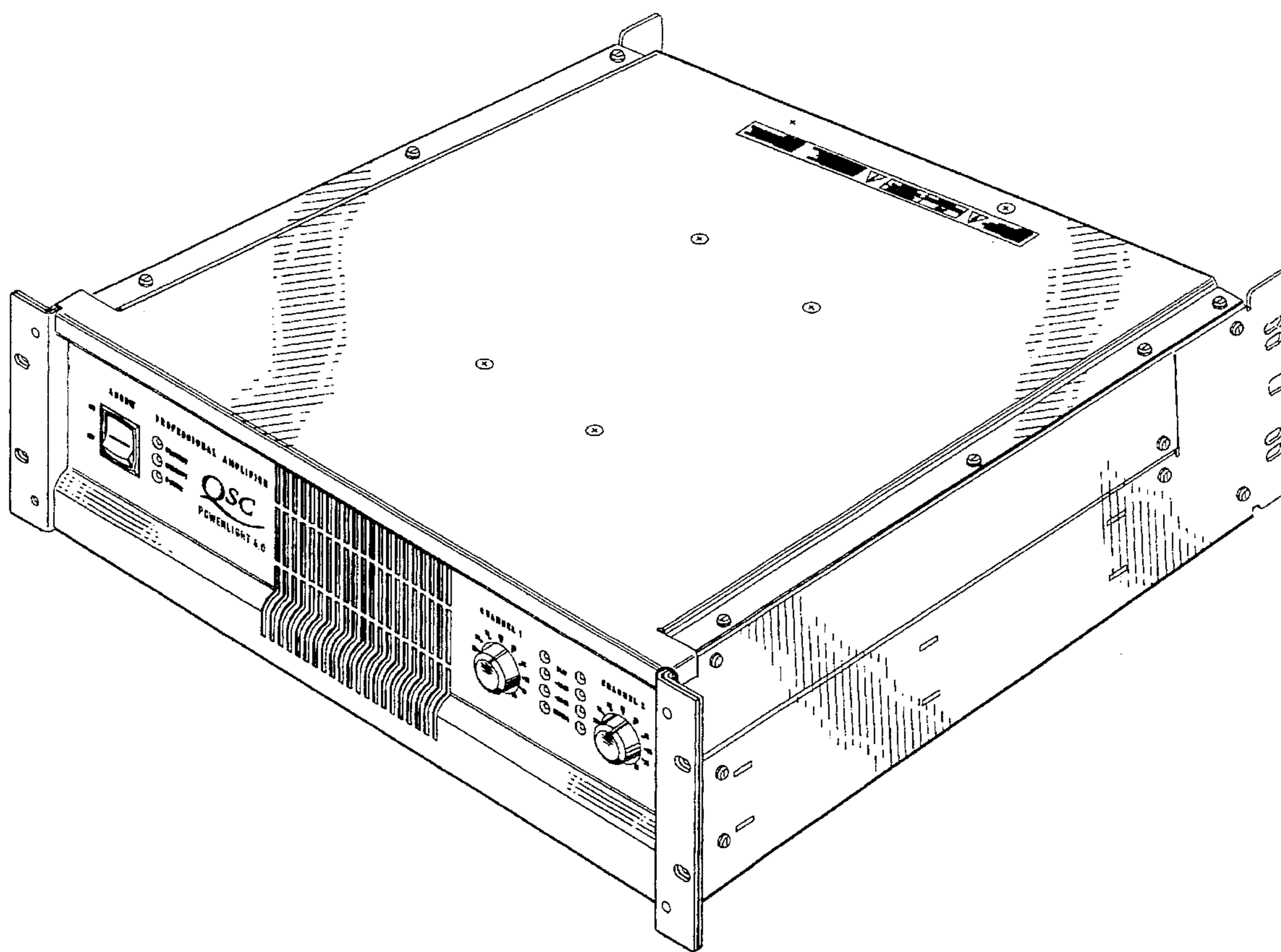


Fig. 7

Fig. 8

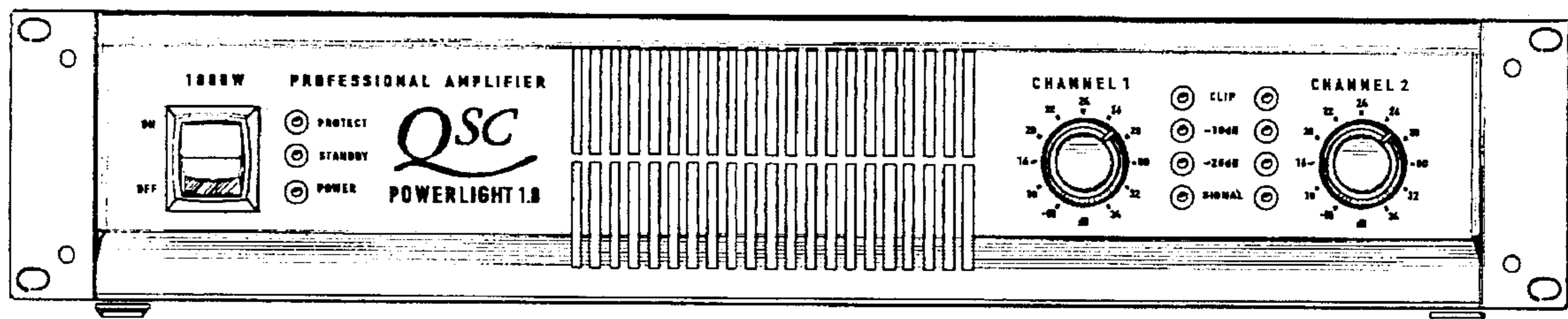
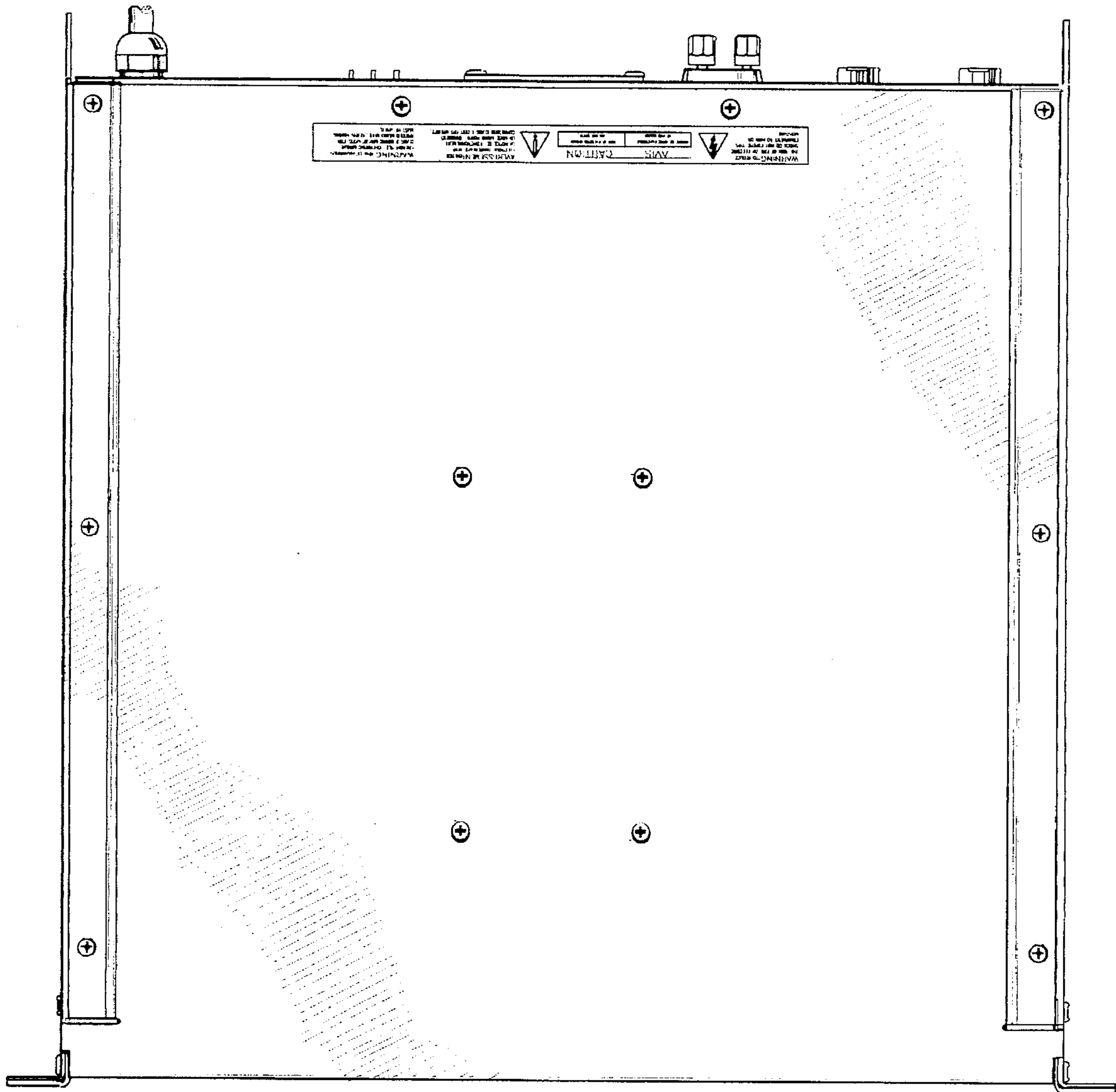


Fig. 9

Fig. 10

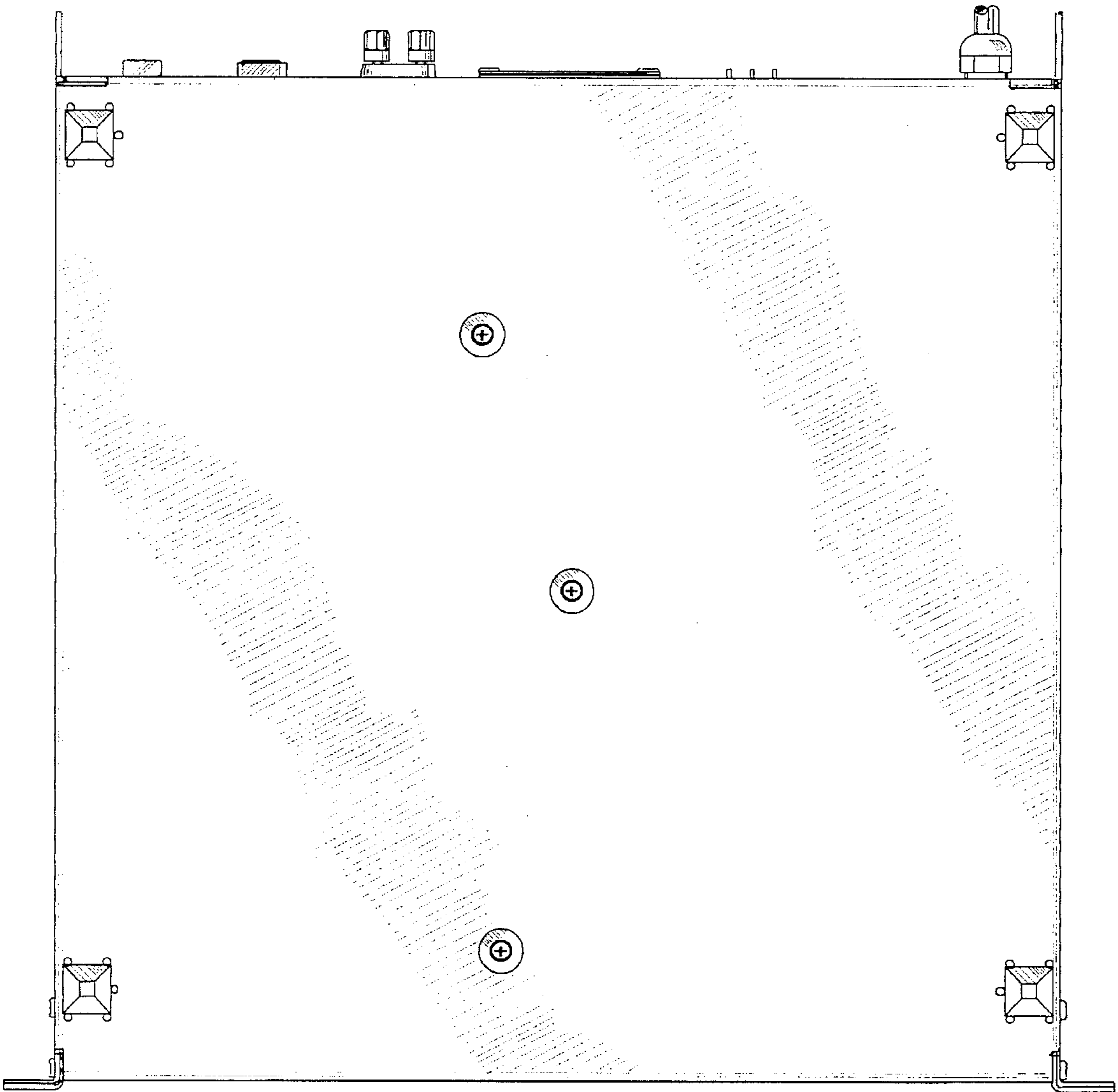
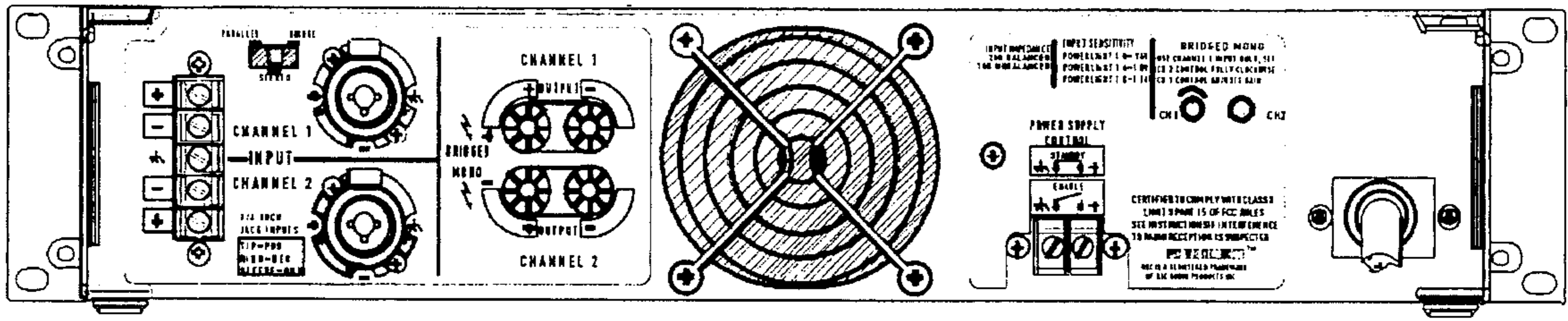


Fig. 11

Fig. 12

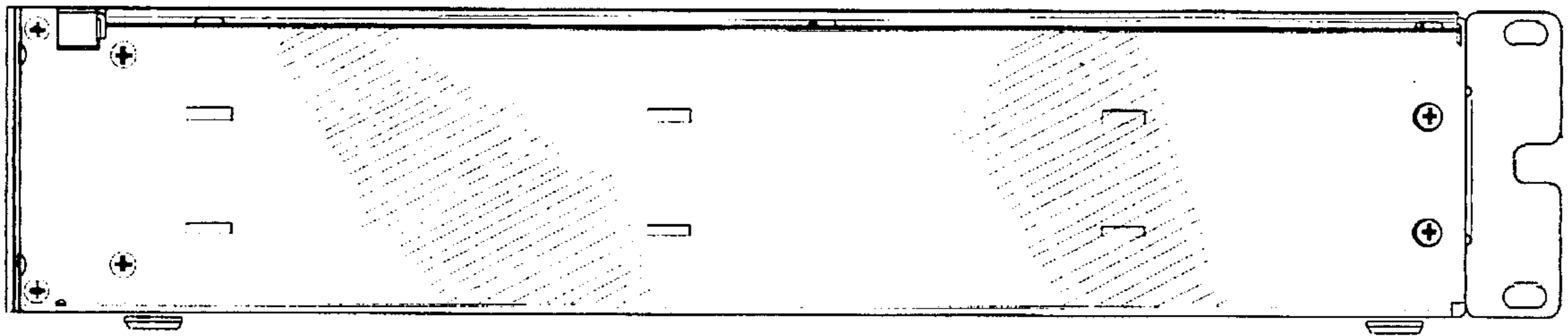
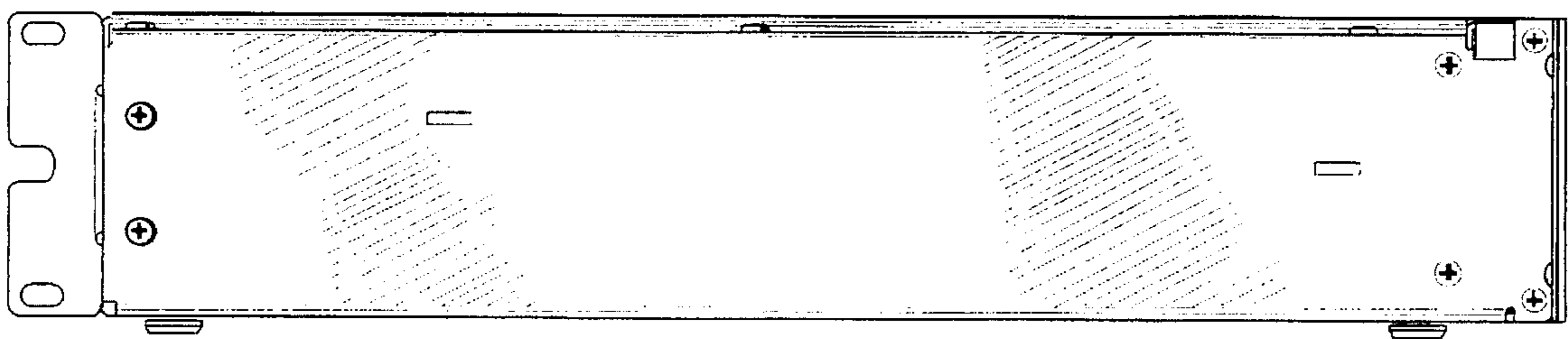


Fig. 13



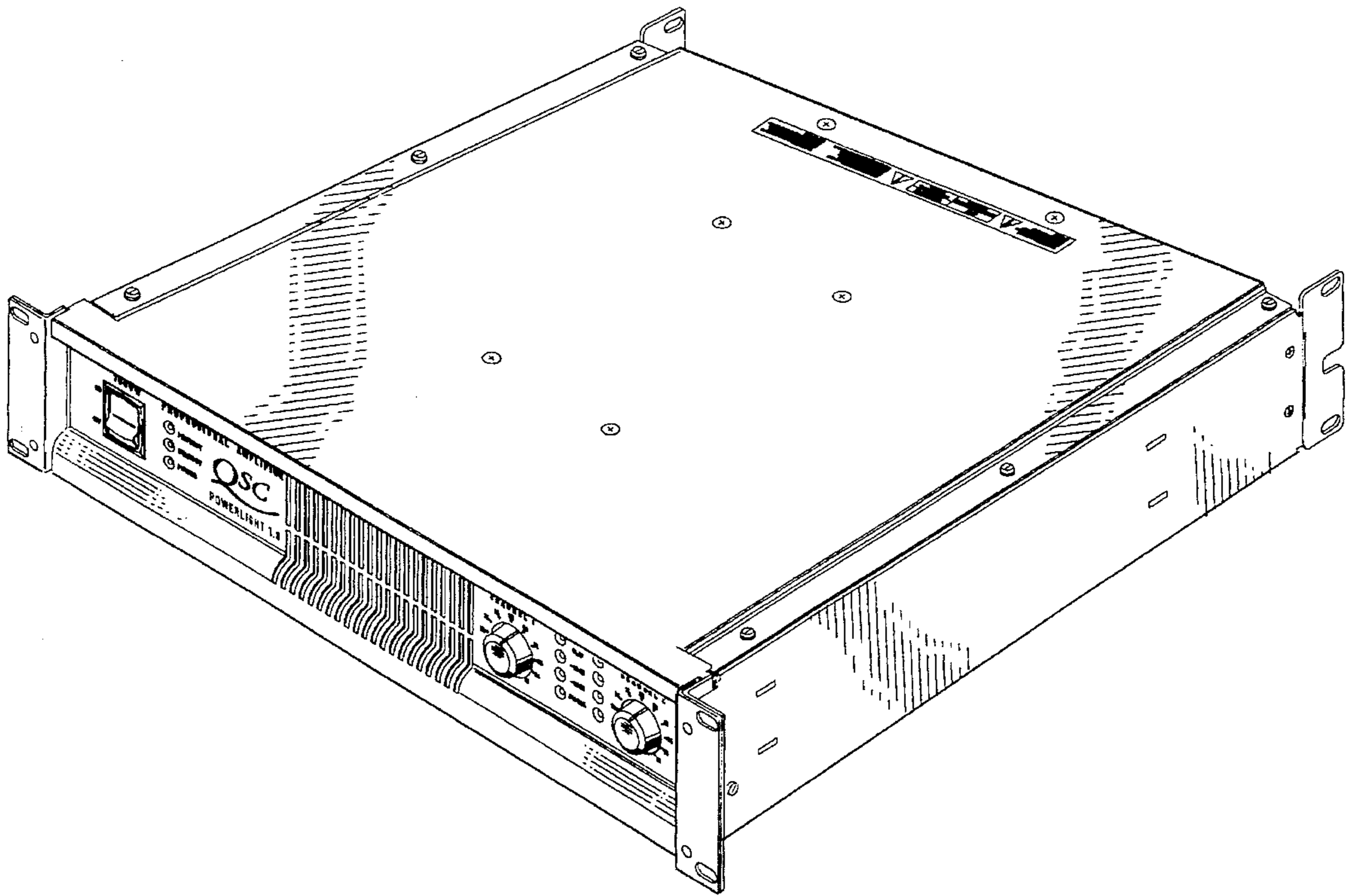


Fig. 14