



US00D376357S

United States Patent [19]

Ferland et al.

[11] Patent Number: **Des. 376,357**

[45] Date of Patent: ****Dec. 10, 1996**

[54] **COMBINED PORTABLE DATA PROCESSING DEVICE HANDLE AND BUILT-IN LASER BAR CODE READER**

D. 343,829 2/1994 Okuda et al. D14/116
D. 352,939 11/1994 Karlin D14/116
5,065,003 11/1991 Wakatsuki et al. D14/116 X

[75] Inventors: **Albert J. Ferland**, Penfield; **William J. Gillette**, Rochester; **James B. Thornton**, Webster, all of N.Y.

Primary Examiner—M. H. Tung
Attorney, Agent, or Firm—Joseph F. Murphy

[73] Assignee: **PSC Inc.**, Webster, N.Y.

[**] Term: **14 Years**

[57] **CLAIM**

The ornamental design for combined portable data processing device handle and built-in laser bar code reader, as shown and described.

[21] Appl. No.: **36,889**

DESCRIPTION

[22] Filed: **Mar. 29, 1995**

[52] U.S. Cl. **D14/116**

[58] Field of Search D14/100, 114,
D14/116, 107; 235/375, 378, 385, 454,
462, 472, 486; 354/80-2; 382/58-69; 250/203.1,
216, 566, 568; D26/37, 45, 50; 358/484,
474, 488, 497

FIG. 1 is a top, left, rear perspective view of a combined portable data processing device handle and built-in laser bar code reader, on an enlarged scale; FIG. 2 is a top plan view thereof; FIG. 3 is a right side view thereof; FIG. 4 is a front view thereof; FIG. 5 is a left view thereof; FIG. 6 is a rear view thereof; FIG. 7 is a bottom plan view thereof; and, FIG. 8 is a left side view thereof, on a reduced scale, the broken line drawing of a portable data processing device is shown for illustrative purposes only and forms no part of the claimed design.

[56] **References Cited**

U.S. PATENT DOCUMENTS

D. 319,436 8/1991 Matsushita D14/116
D. 330,707 11/1992 Whitaker D14/116
D. 340,034 10/1993 Hofstetter et al. D14/116

1 Claim, 5 Drawing Sheets

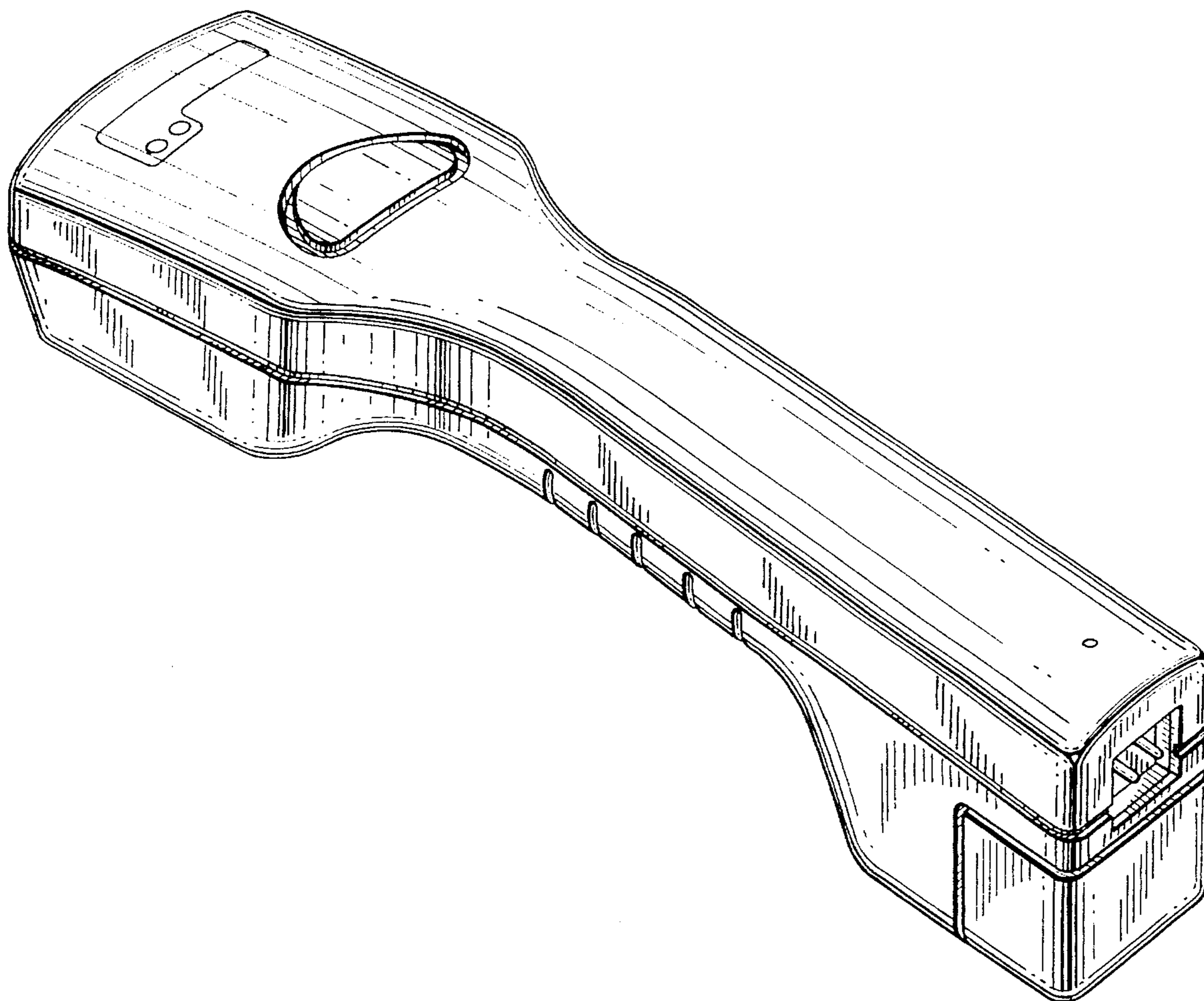


FIG. 1

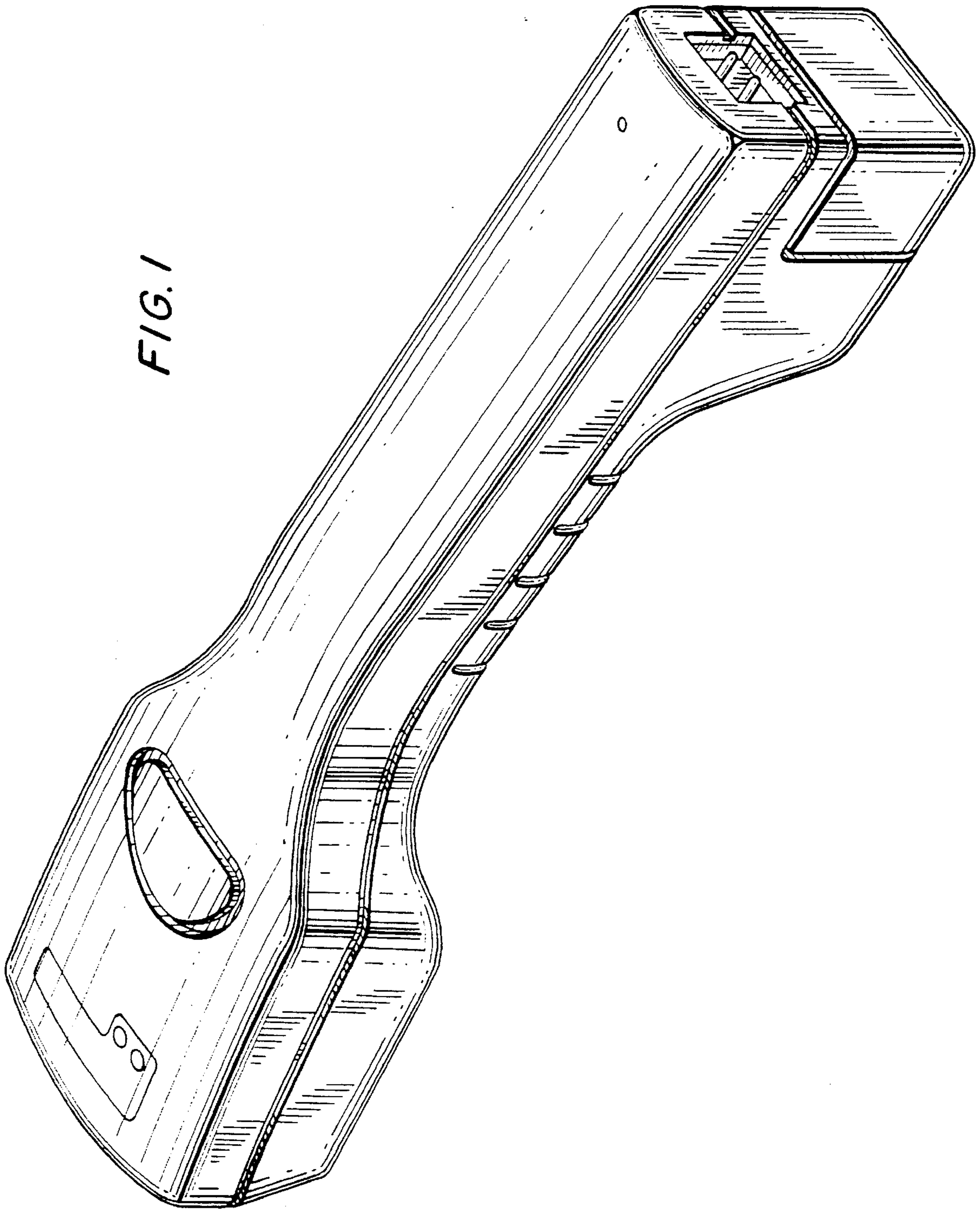


FIG. 2

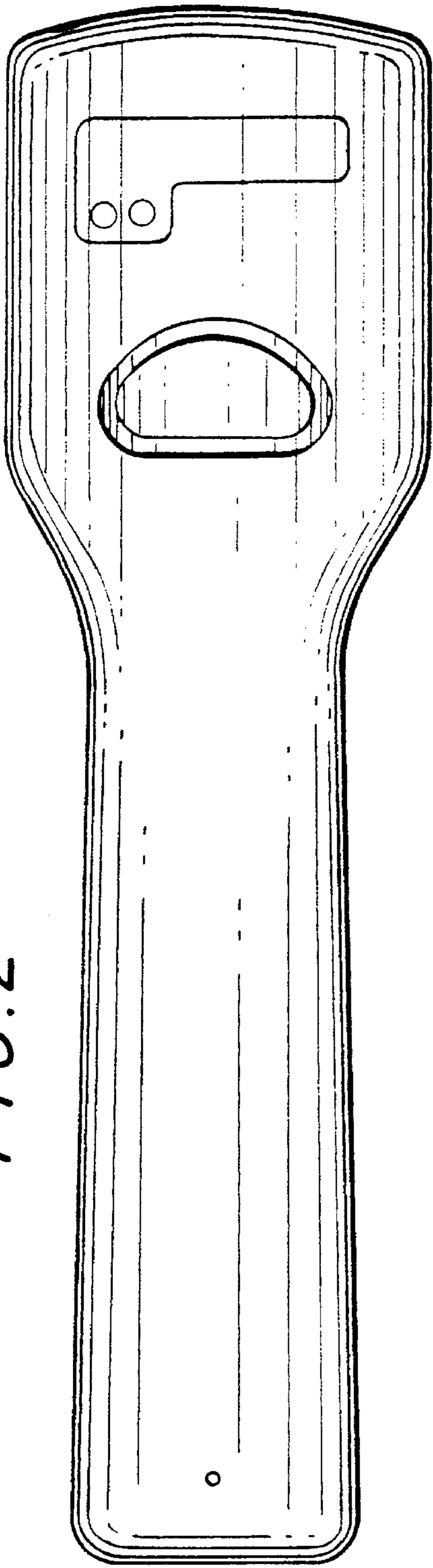


FIG. 3

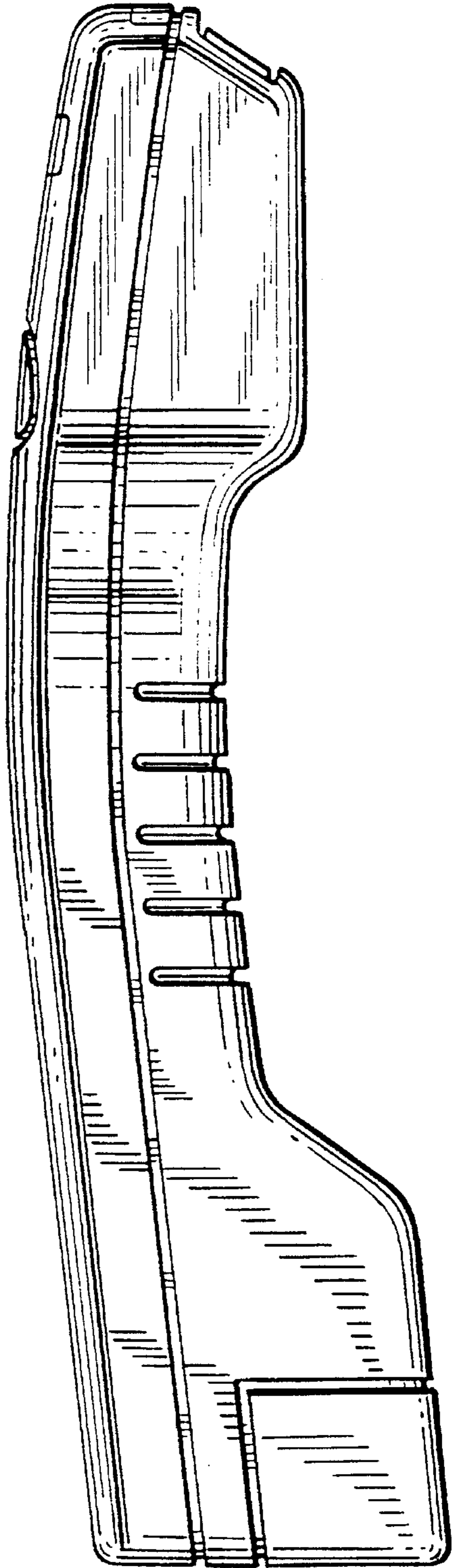


FIG. 4

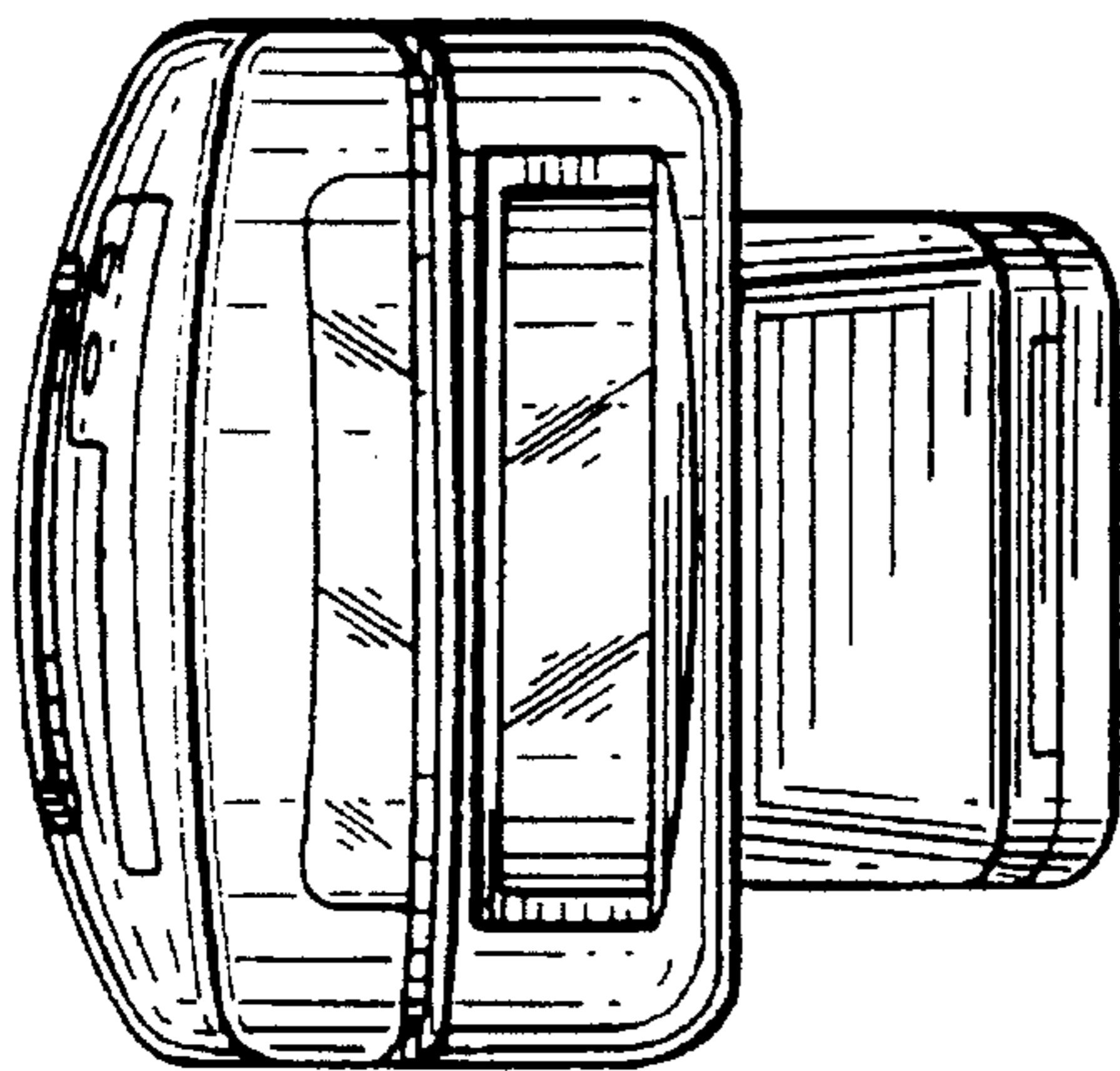


FIG. 5

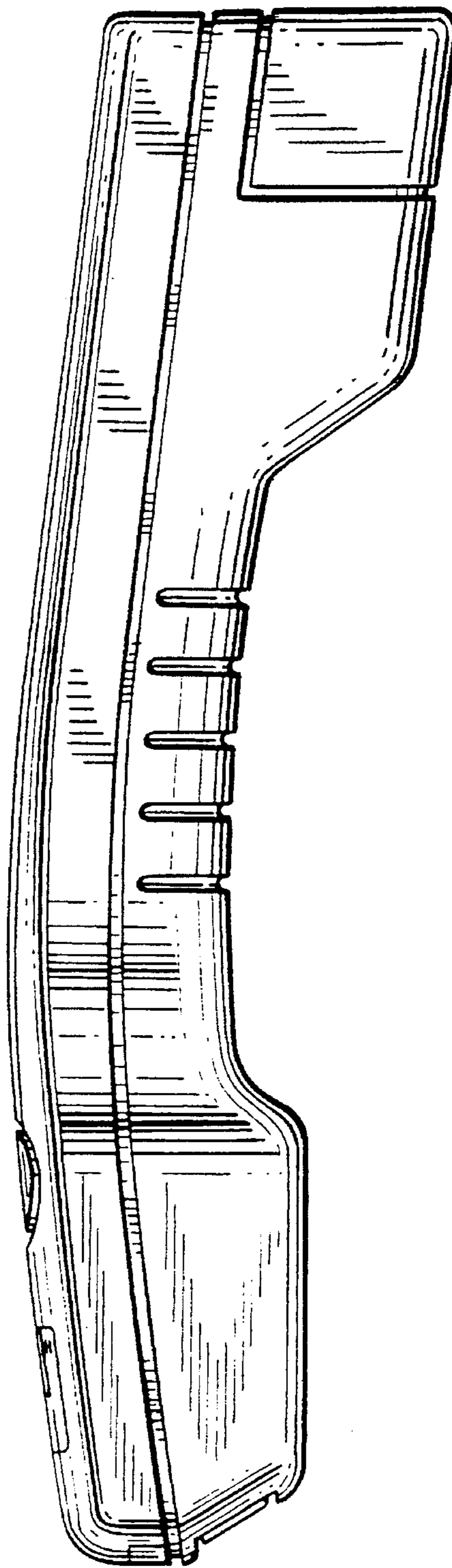


FIG. 6

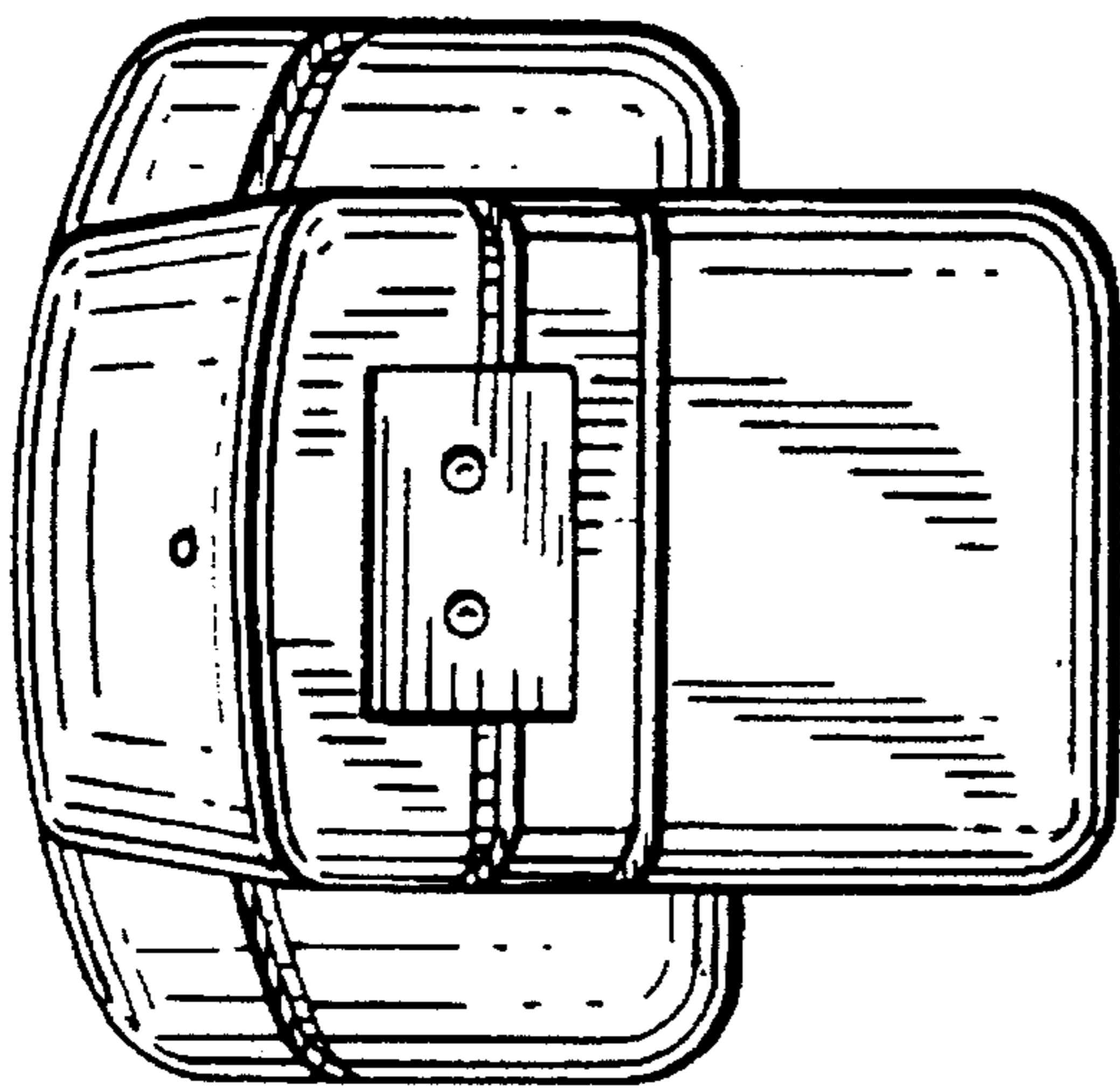
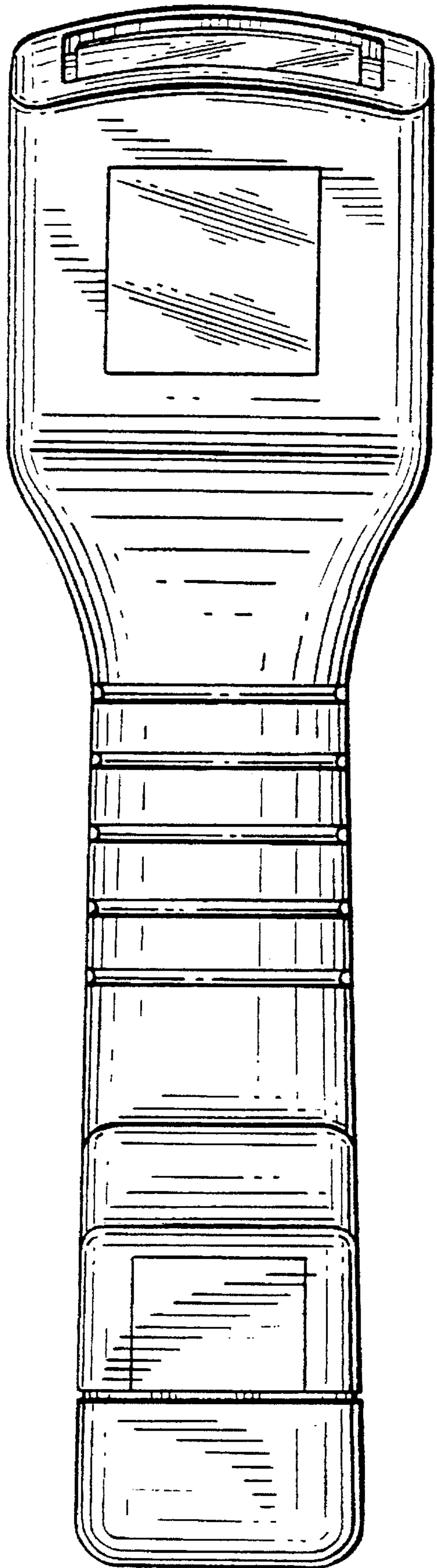


FIG. 7



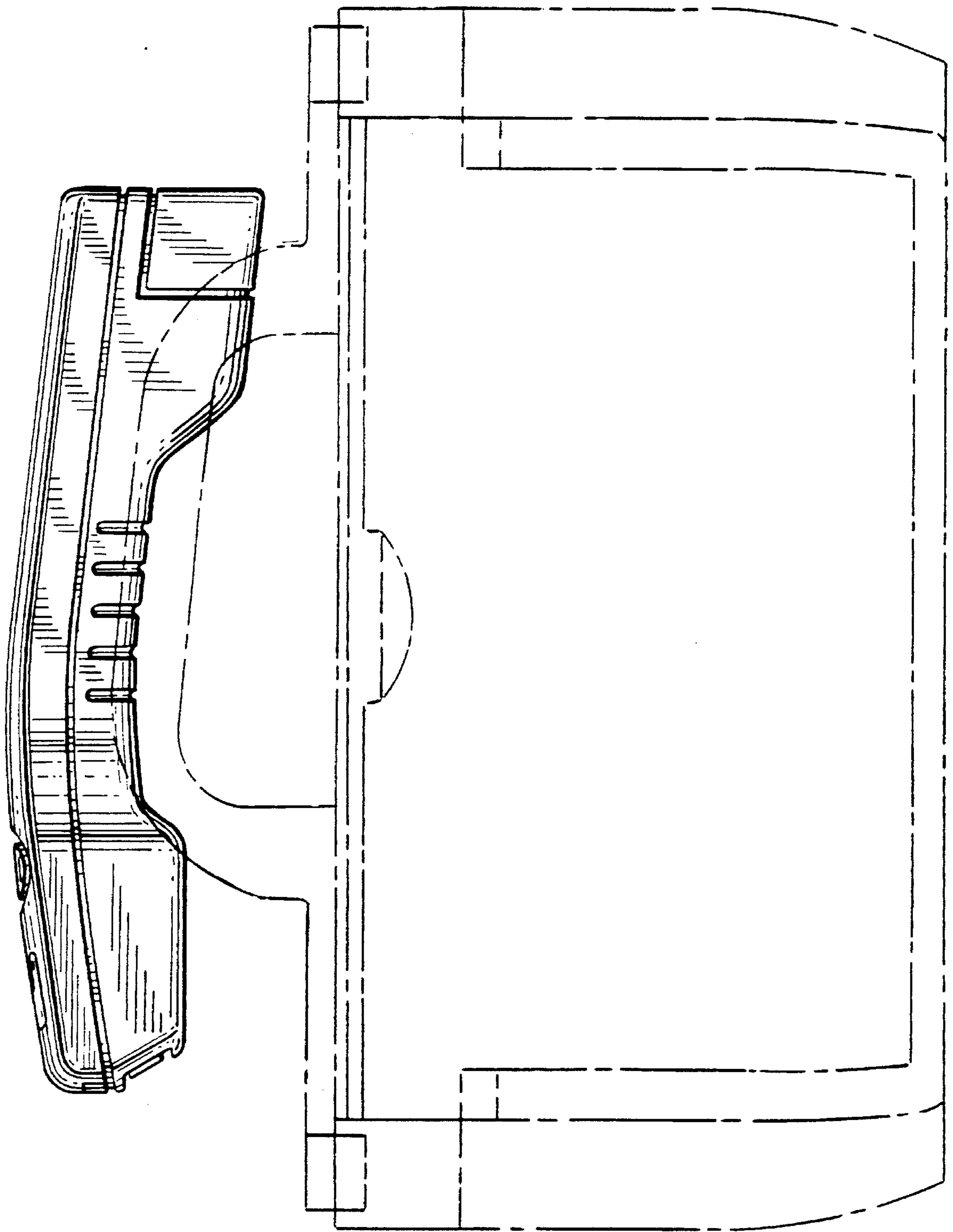


FIG. 8