



US00D376355S

United States Patent [19]
Ojeda, IV

[11] **Patent Number: Des. 376,355**

[45] **Date of Patent: **Dec. 10, 1996**

[54] **STAND FOR A REMOVEABLE LIQUID CRYSTAL DISPLAY AND KEYBOARD**

[75] Inventor: **Peter A. Ojeda, IV**, Mundelein, Ill.

[73] Assignee: **Zenith Data Systems Corporation**, Buffalo Grove, Ill.

[**] Term: **14 Years**

[21] Appl. No.: **36,156**

[22] Filed: **Mar. 14, 1995**

[52] U.S. Cl. **D14/114**

[58] **Field of Search** D14/100, 107, D14/113, 114; D19/59, 60; 248/917-924, 176.1, 183; 358/249, 254, 255; 345/104, 133, 156, 168, 173, 87, 901-905

[56] **References Cited**

U.S. PATENT DOCUMENTS

- D. 359,034 6/1995 Kondo D14/107
- D. 364,151 11/1995 Yamazaki D14/107
- 4,946,120 8/1990 Hatcher D14/114 X

OTHER PUBLICATIONS

"Buyer's Guide," *PC Laptop Computers Magazine*, pp. 63-74, Oct. 1993.

Primary Examiner—Freda Nunn

Attorney, Agent, or Firm—Fitch, Even, Tabin & Flannery

[57] **CLAIM**

The ornamental design for a stand for a removeable liquid crystal display and keyboard, as shown and described.

DESCRIPTION

FIG. 1 is a perspective view of a new stand for a removeable liquid crystal display and keyboard shown with accessories removed in phantom;

FIG. 2 is a top plan view of the stand for a removeable liquid crystal display and keyboard illustrated in FIG. 1;

FIG. 3 is a bottom plan view of the stand for a removeable liquid crystal display and keyboard illustrated in FIG. 1;

FIG. 4 is a rear elevational view of the stand for a removeable liquid crystal display and keyboard illustrated in FIG. 1;

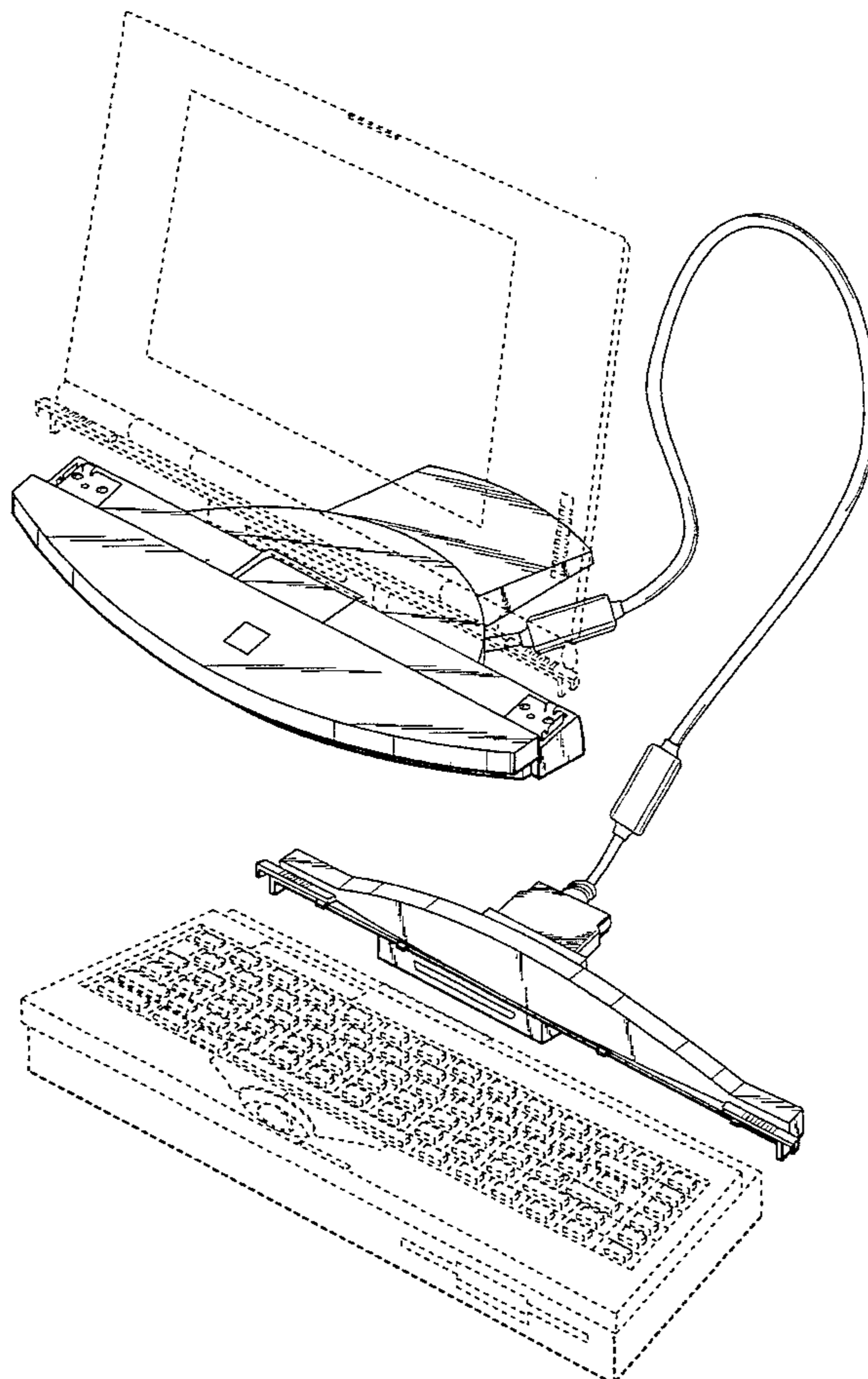
FIG. 5 is a front elevational view of the stand for a removeable liquid crystal display and keyboard illustrated in FIG. 1;

FIG. 6 is a side elevational view of one side of the stand for a removeable liquid crystal display and keyboard illustrated in FIG. 1; and,

FIG. 7 is a side elevational view of the other side of the stand for a removeable liquid crystal display and keyboard illustrated in FIG. 1.

The broken lines are shown for illustrative purposes only and form no part of the claimed design.

1 Claim, 5 Drawing Sheets



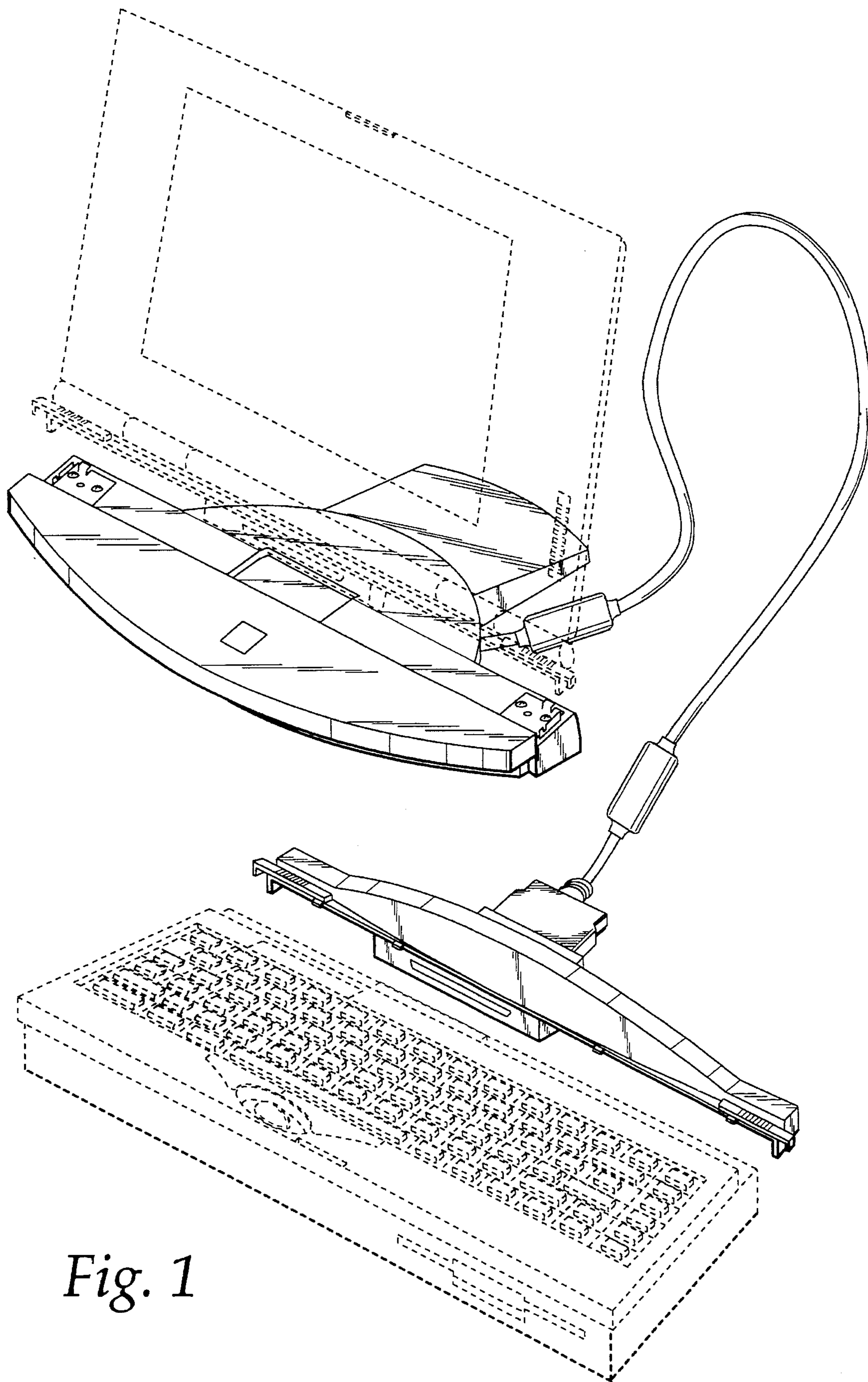


Fig. 1

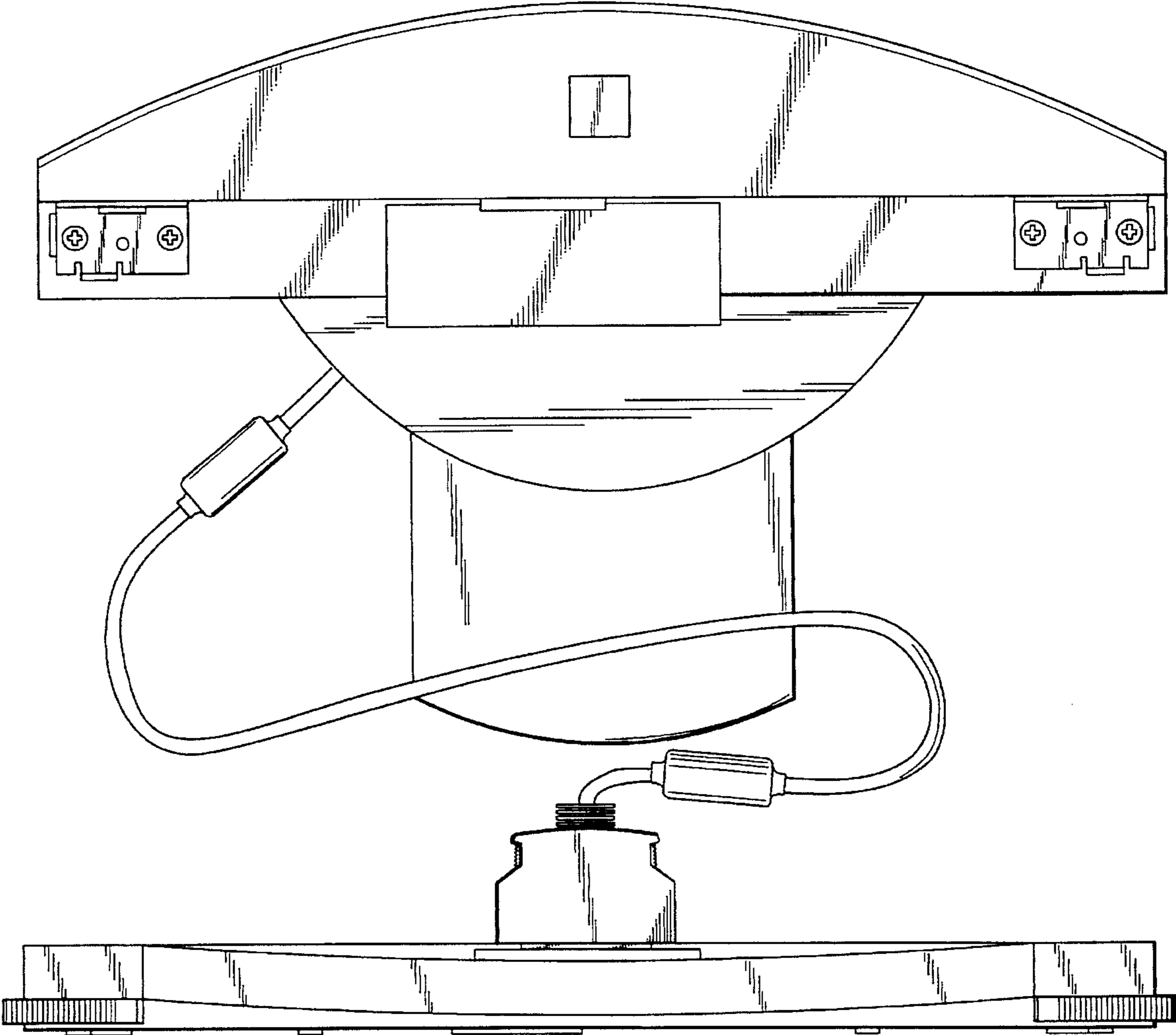


Fig. 2

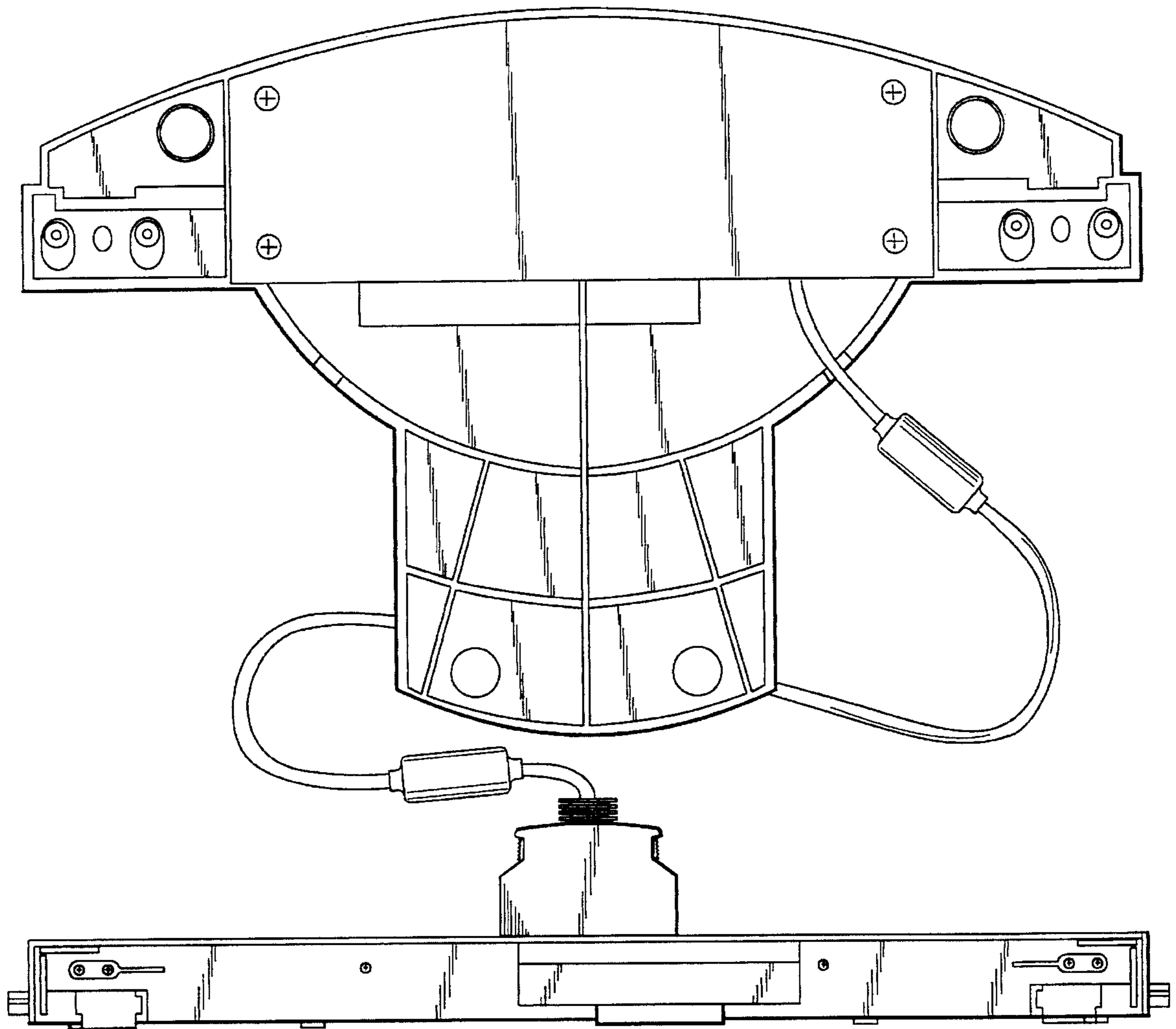


Fig. 3

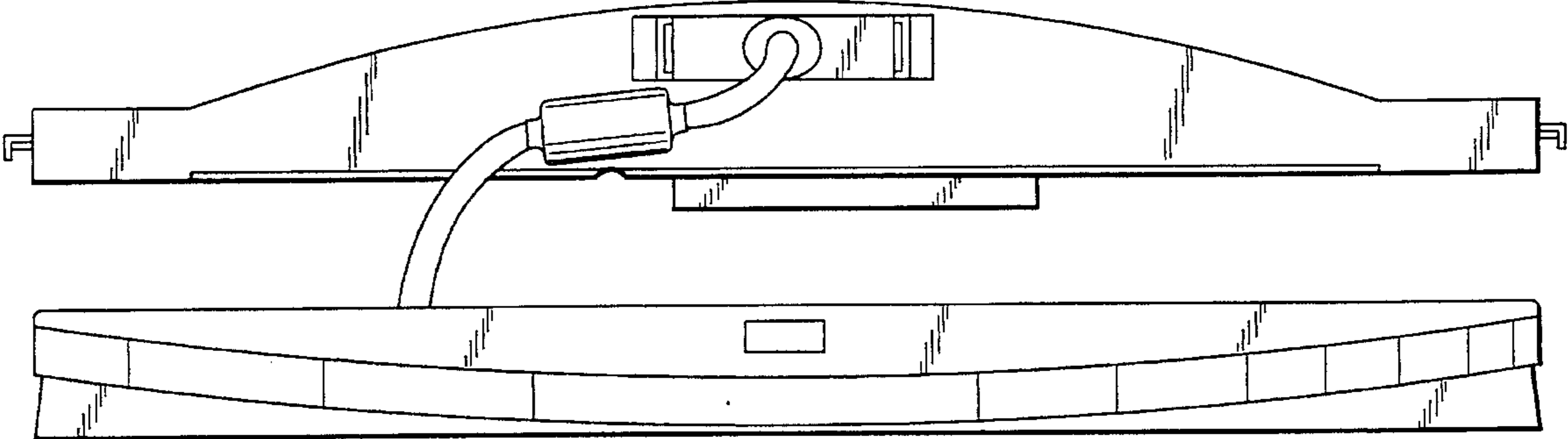


Fig. 4

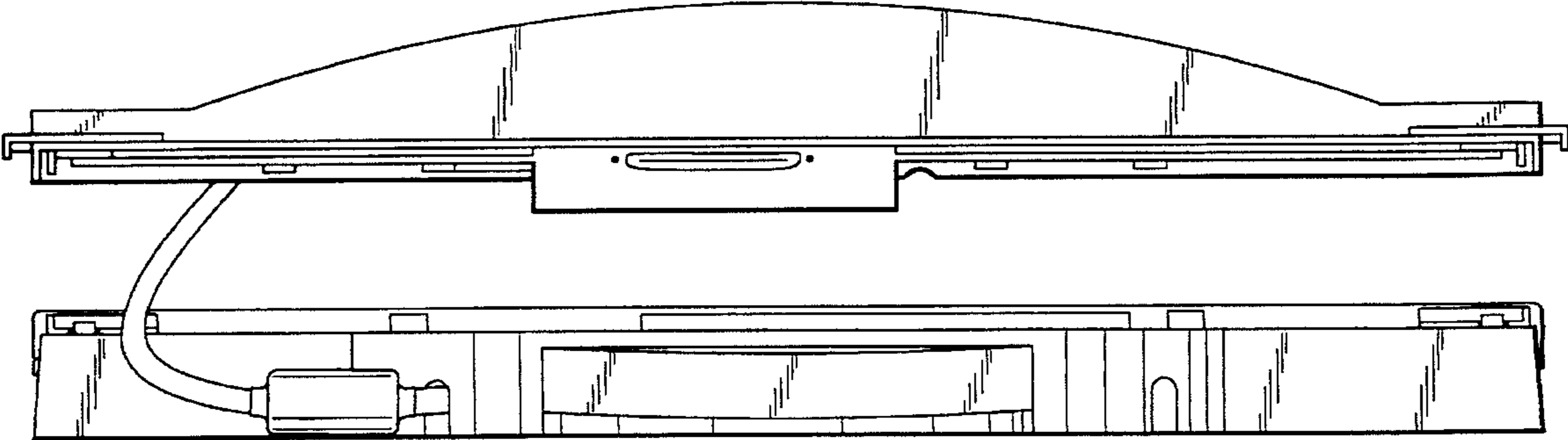


Fig. 5

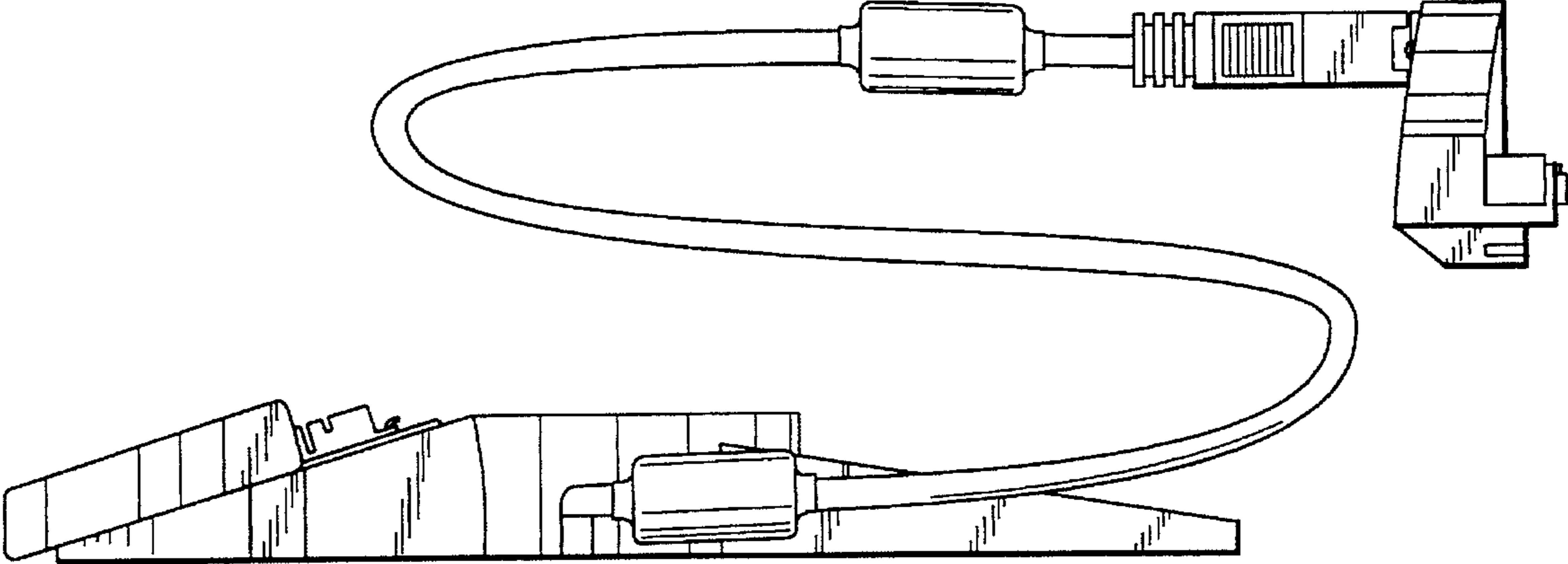


Fig. 6

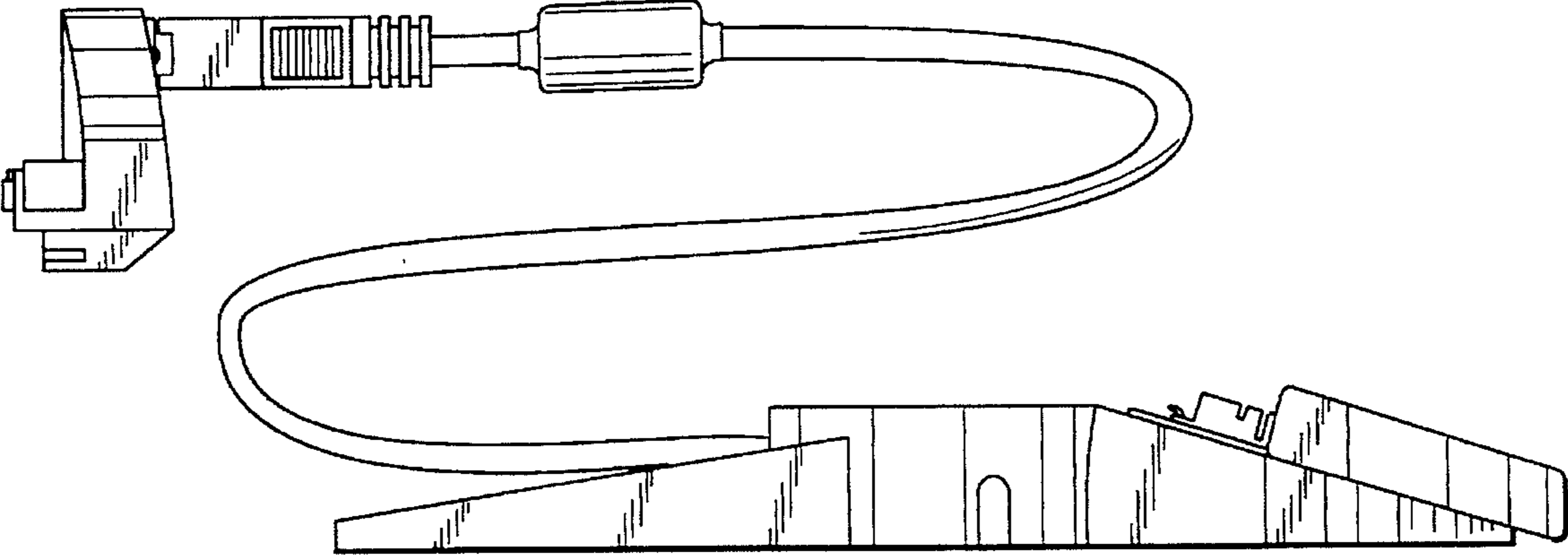


Fig. 7