



US00D376354S

United States Patent [19]

Brenner et al.

[11] **Patent Number: Des. 376,354**

[45] **Date of Patent: **Dec. 10, 1996**

[54] **DISPLAY SCREEN AND CONTROLS**

[75] Inventors: **Richard K. Brenner**, Fanwood, N.J.;
Mark S. Kimbrough, Austin, Tex.;
Philip Leung, Beaton, England; **Robert H. Garrett**; **Pearce Jones**, both of Austin, Tex.

[73] Assignee: **Brother International Corporation**, Somerset, N.J.

[**] Term: **14 Years**

[21] Appl. No.: **49,045**

[22] Filed: **Jan. 16, 1996**

[52] U.S. Cl. **D14/113**

[58] **Field of Search** D14/100, 101,
D14/106, 113, 124-129; 345/104, 133,
156, 168, 173, 87, 901-905; 248/917-924

[56] **References Cited**

U.S. PATENT DOCUMENTS

D. 323,156 1/1992 Nishida D14/101

D. 328,090 7/1992 Ido D18/2
D. 354,741 1/1995 Hutcheson D14/100
D. 356,105 3/1995 Miyahara et al. D18/7
D. 364,857 12/1995 Chou D14/113
D. 368,895 4/1996 Andre et al. D14/101

Primary Examiner—Freda Nunn
Attorney, Agent, or Firm—Oliff & Berridge

[57] **CLAIM**

The ornamental design for display screen and controls, as shown and described.

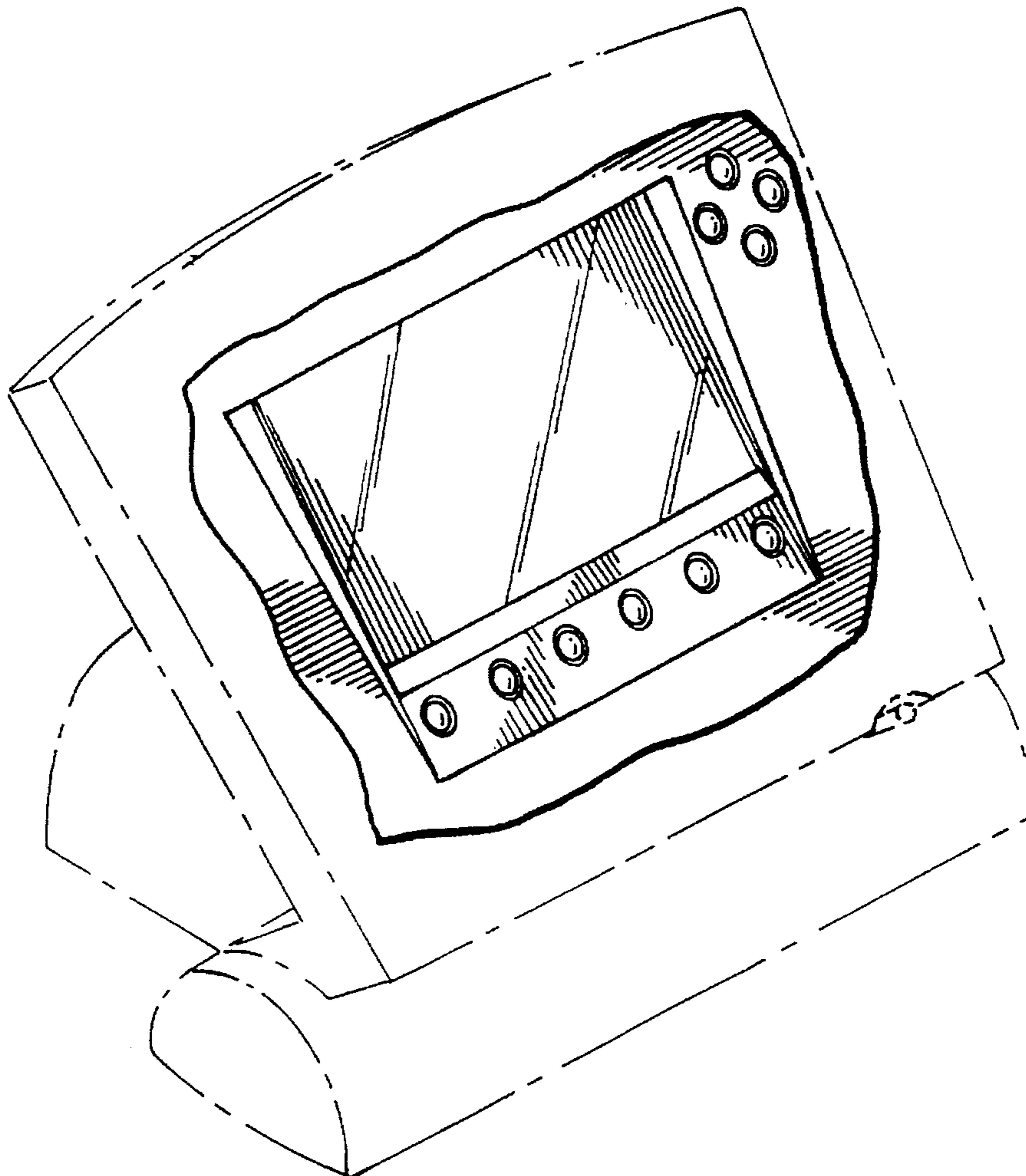
DESCRIPTION

FIG. 1 is a fragmentary front perspective view of a display screen and controls showing our new design;

FIG. 2 is a fragmentary front view of the design of FIG. 1; and,

FIG. 3 is a fragmentary top plan view of the design of FIG. 1.

1 Claim, 2 Drawing Sheets



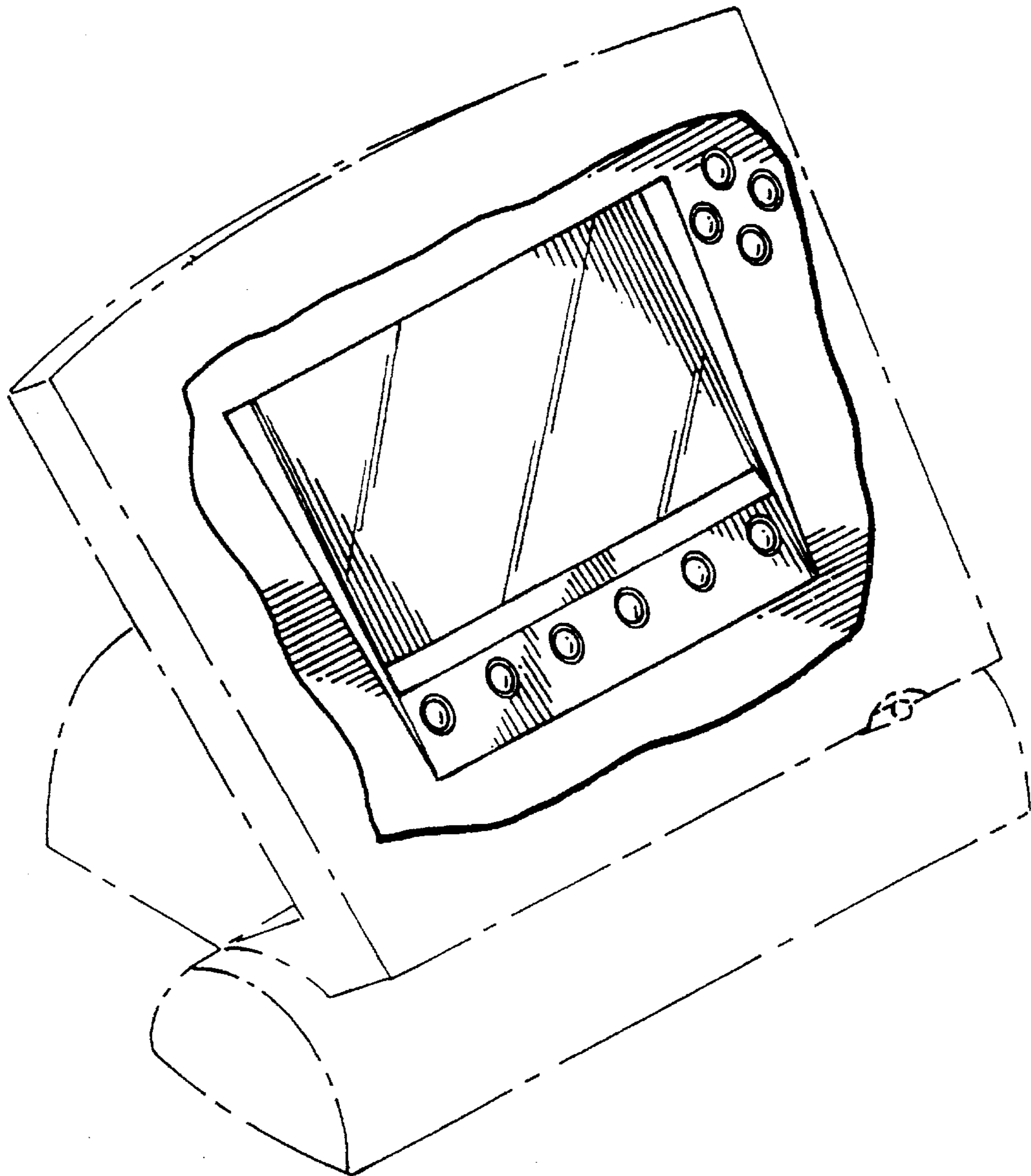


FIG. 1

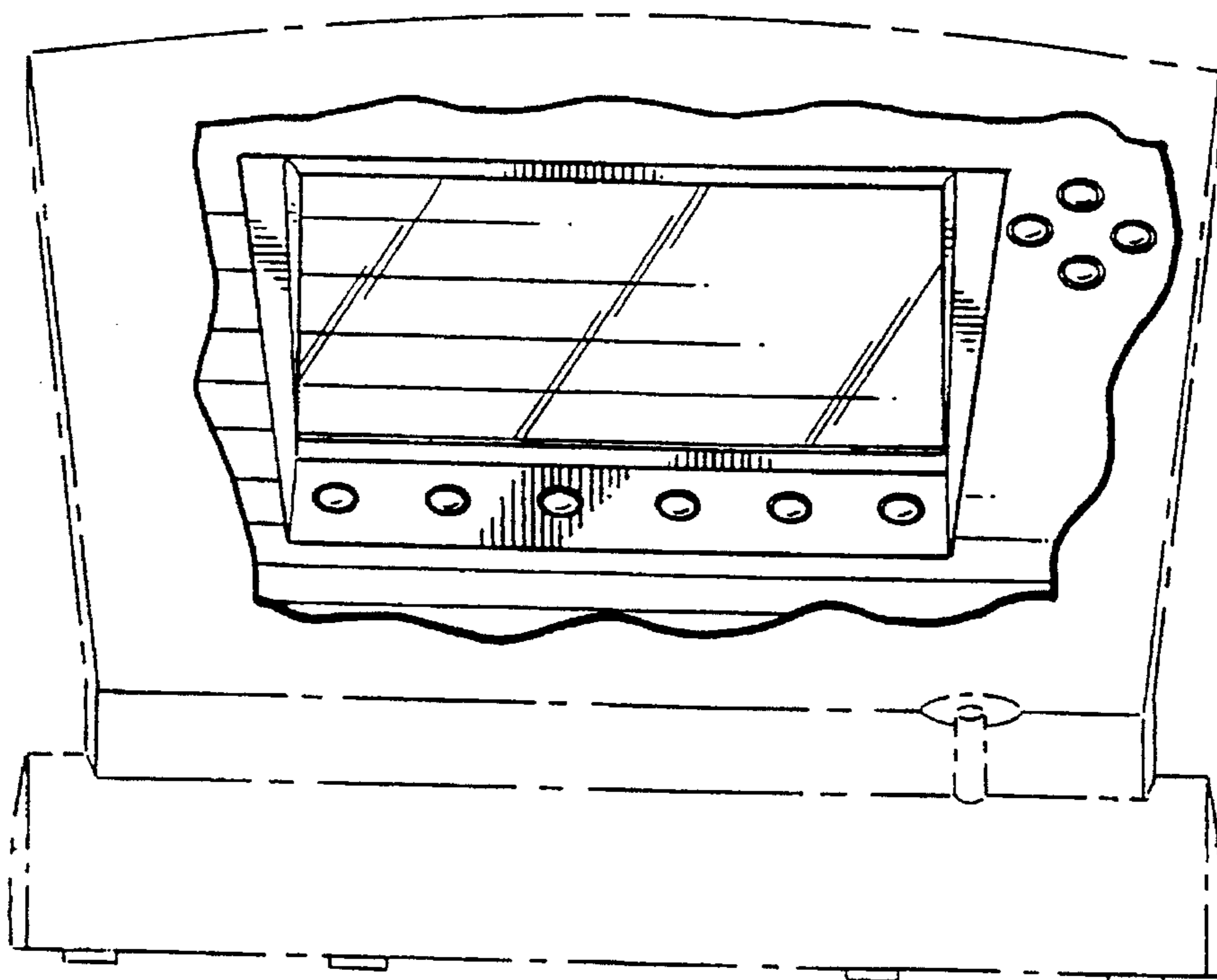


FIG. 2

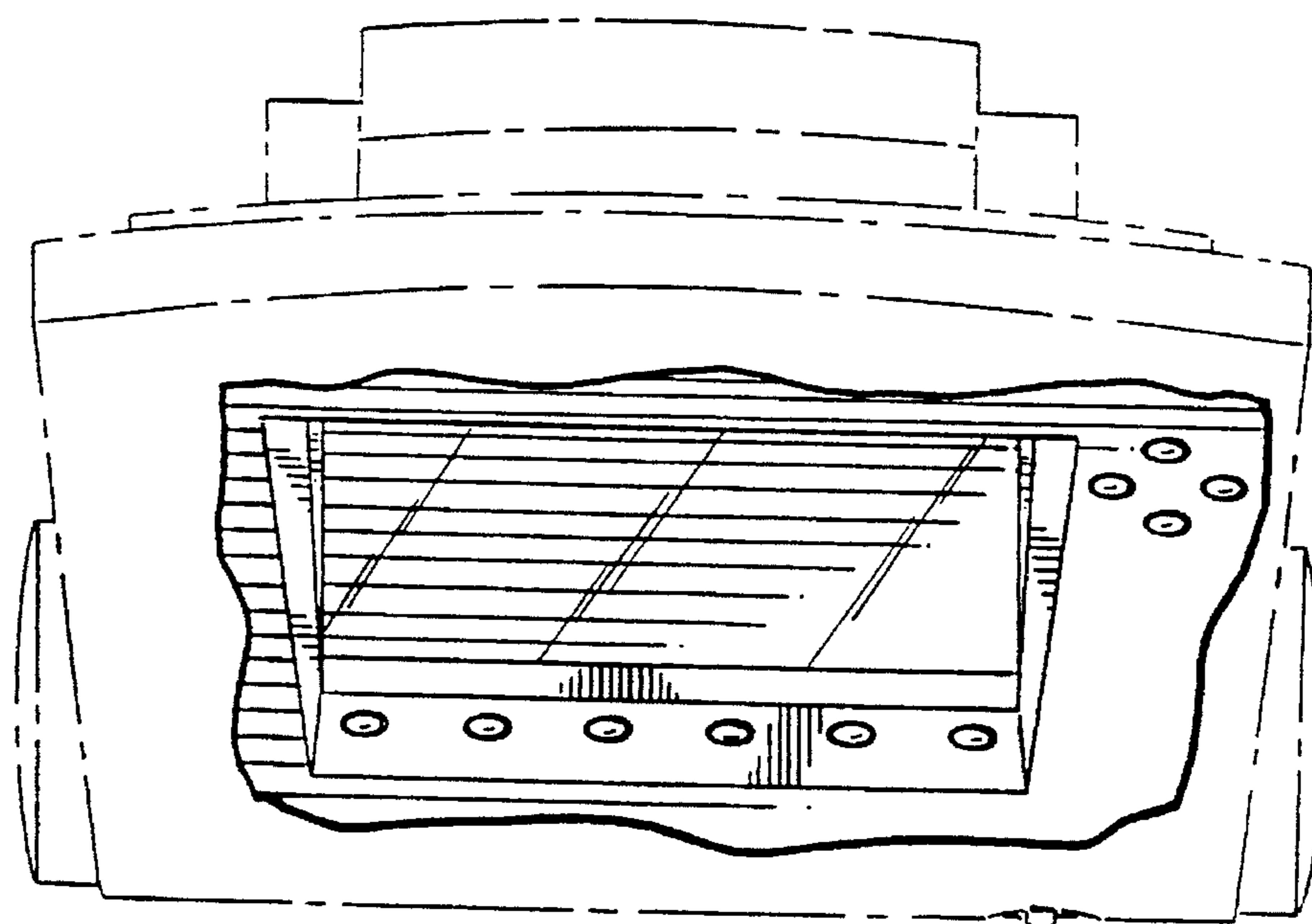


FIG. 3