



US00D376348S

United States Patent [19]

[11] Patent Number: **Des. 376,348**

Hedrick

[45] Date of Patent: ****Dec. 10, 1996**

[54] **ELECTRICAL PLUG BODY**

[75] Inventor: **Paul A. Hedrick**, West Greenwich, R.I.

[73] Assignee: **General Cable Industries, Inc.**,
Highland Heights, Ky.

[**] Term: **14 Years**

[21] Appl. No.: **11,746**

[22] Filed: **Aug. 13, 1993**

[52] U.S. Cl. **D13/138**

[58] Field of Search D13/133, 137,
D13/138, 141; 439/106, 107, 483, 484,
449, 474, 600, 606, 692, 694

[56] **References Cited**

U.S. PATENT DOCUMENTS

D. 94,143	12/1934	Hill	D13/139
D. 301,712	6/1989	Israel	D13/133

FOREIGN PATENT DOCUMENTS

627996	11/1961	Italy	439/600
847	of 1911	United Kingdom	439/692
226658	1/1925	United Kingdom	439/692
399505	9/1933	United Kingdom	439/692
702501	1/1954	United Kingdom	439/106
2197138	5/1988	United Kingdom	439/106

Primary Examiner—Joel Sincavage
Attorney, Agent, or Firm—Frost & Jacobs

[57] **CLAIM**

The ornamental design for an electrical plug body, as shown and described.

DESCRIPTION

FIG. 1 is a perspective view of the first embodiment of the instant electrical plug body. The broken line showing of a

pair of electrical plug blades is included for the purpose of illustrating environmental structure only and forms no part of the claimed design;

FIG. 2 is a front view thereof;

FIG. 3 is a rear view thereof;

FIG. 4 is a bottom view thereof;

FIG. 5 is a top view thereof;

FIG. 6 is a left side view thereof;

FIG. 7 is a right side view thereof;

FIG. 8 is a perspective view of the second embodiment of the instant electrical plug body. The broken line showing of a pair of electrical plug blades is included for the purpose of illustrating environmental structure only and forms no part of the claimed design;

FIG. 9 is a front view thereof;

FIG. 10 is a rear view thereof;

FIG. 11 is a bottom view thereof;

FIG. 12 is a top view thereof;

FIG. 13 is a left side view thereof;

FIG. 14 is a right side view thereof;

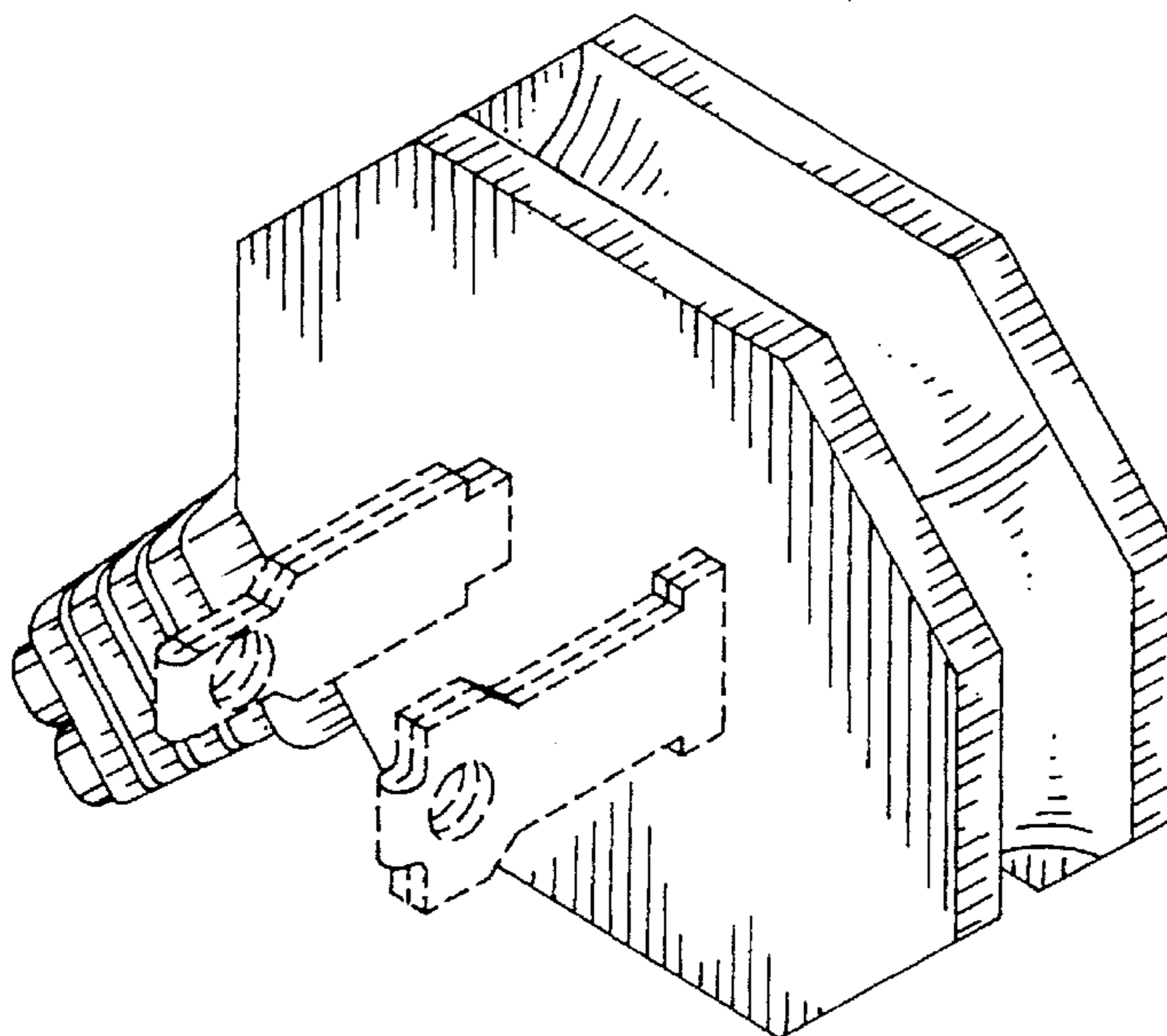
FIG. 15 is a front and upper right perspective view of the first embodiment of the instant electrical plug body with a pair of electrical plug blades shown in broken lines;

FIG. 16 is a front and lower left perspective view thereof;

FIG. 17 is a front and upper right perspective view of a second embodiment of the instant electrical plug body with a pair of electrical plug blades shown in broken lines; and,

FIG. 18 is a front and lower left perspective view thereof.

1 Claim, 4 Drawing Sheets



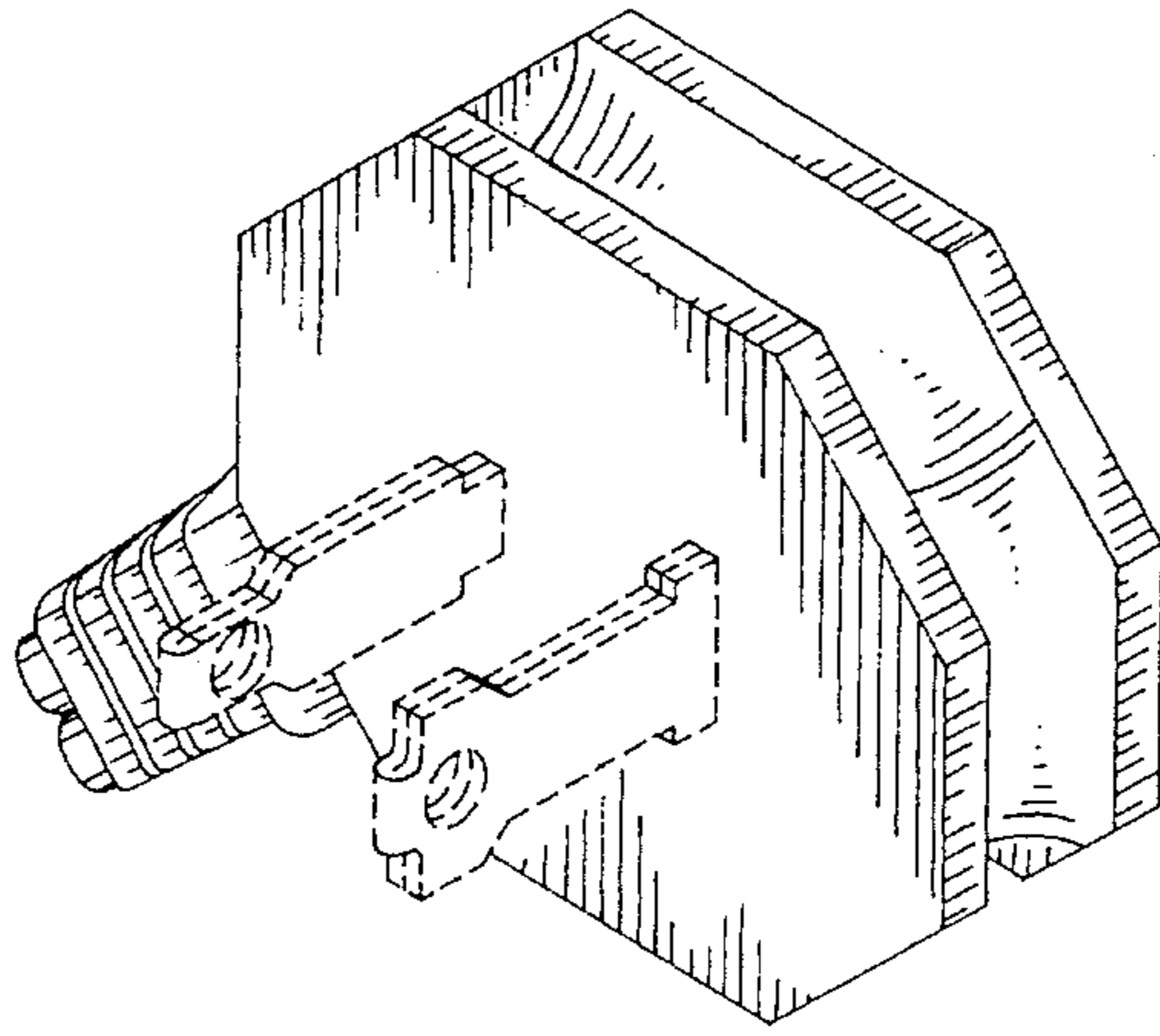


FIG. 1

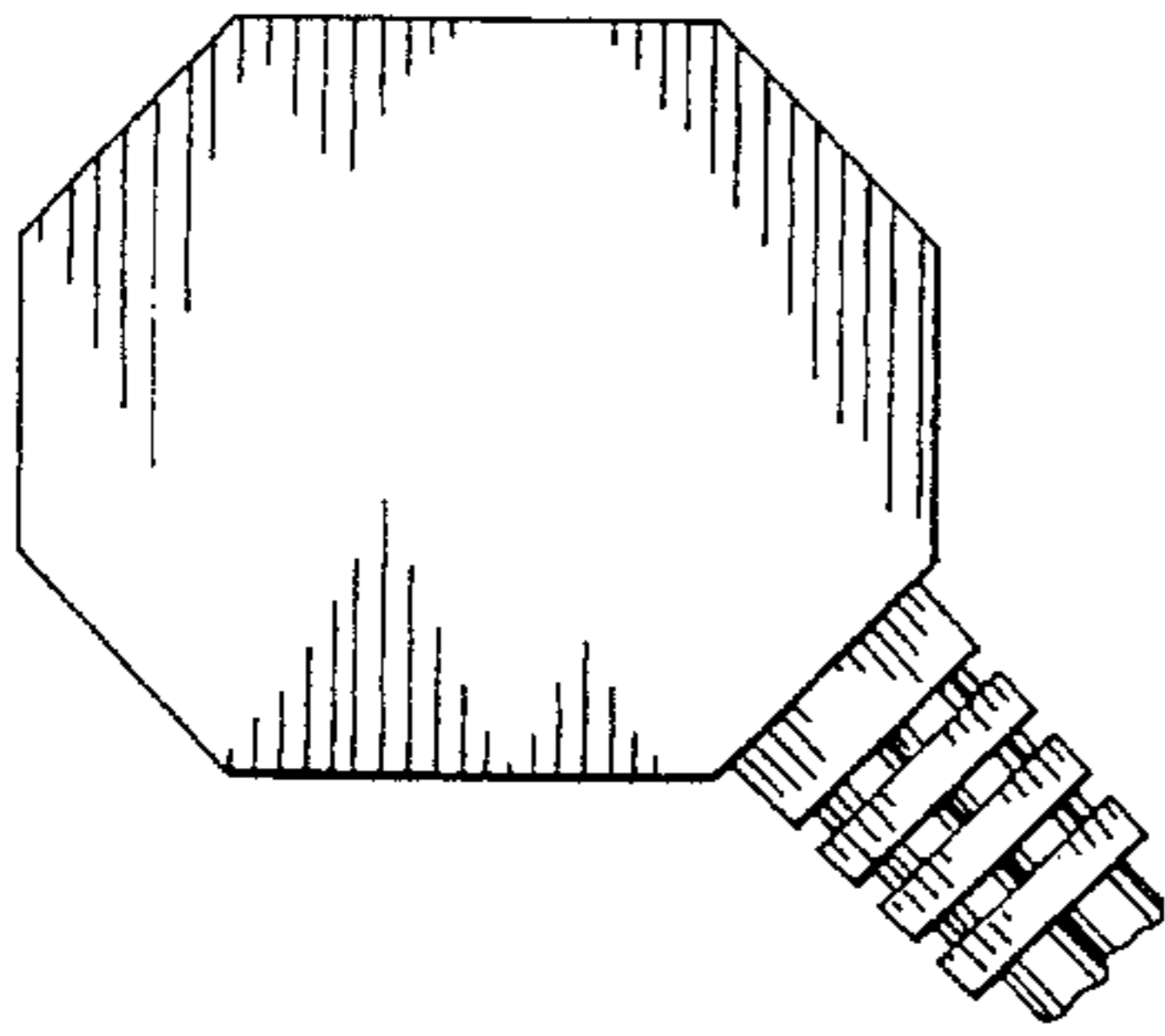


FIG. 2

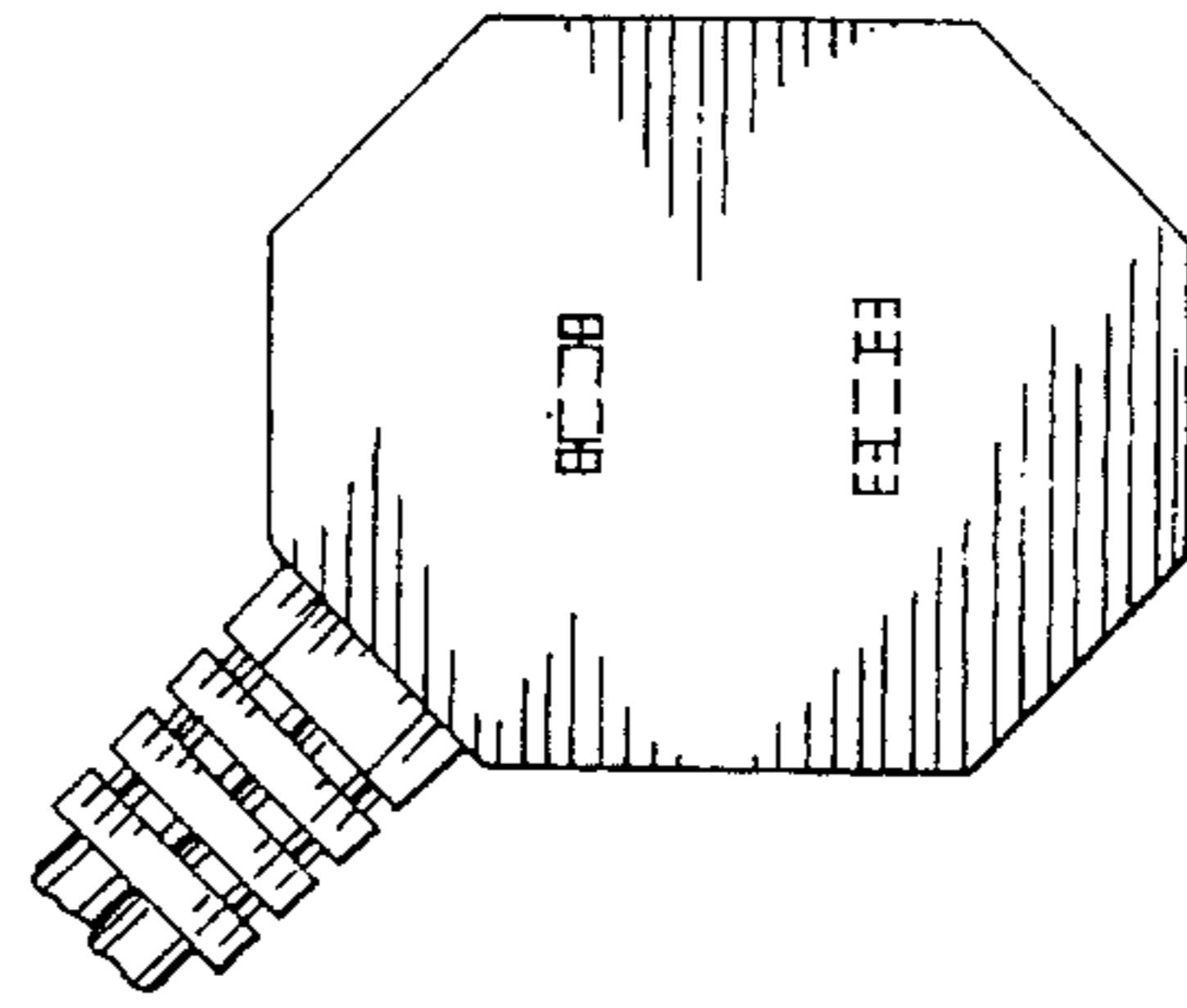


FIG. 3

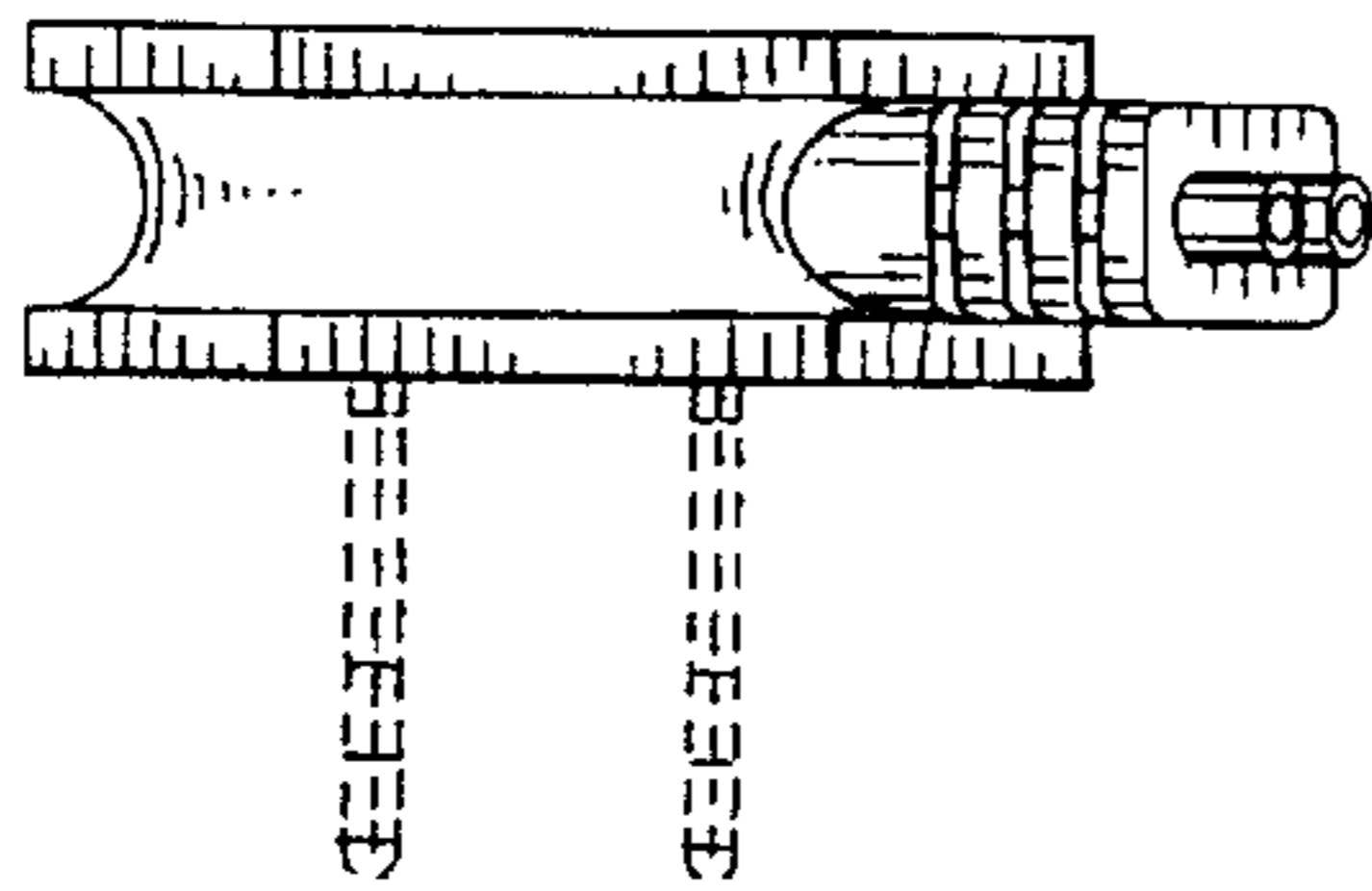


FIG. 4

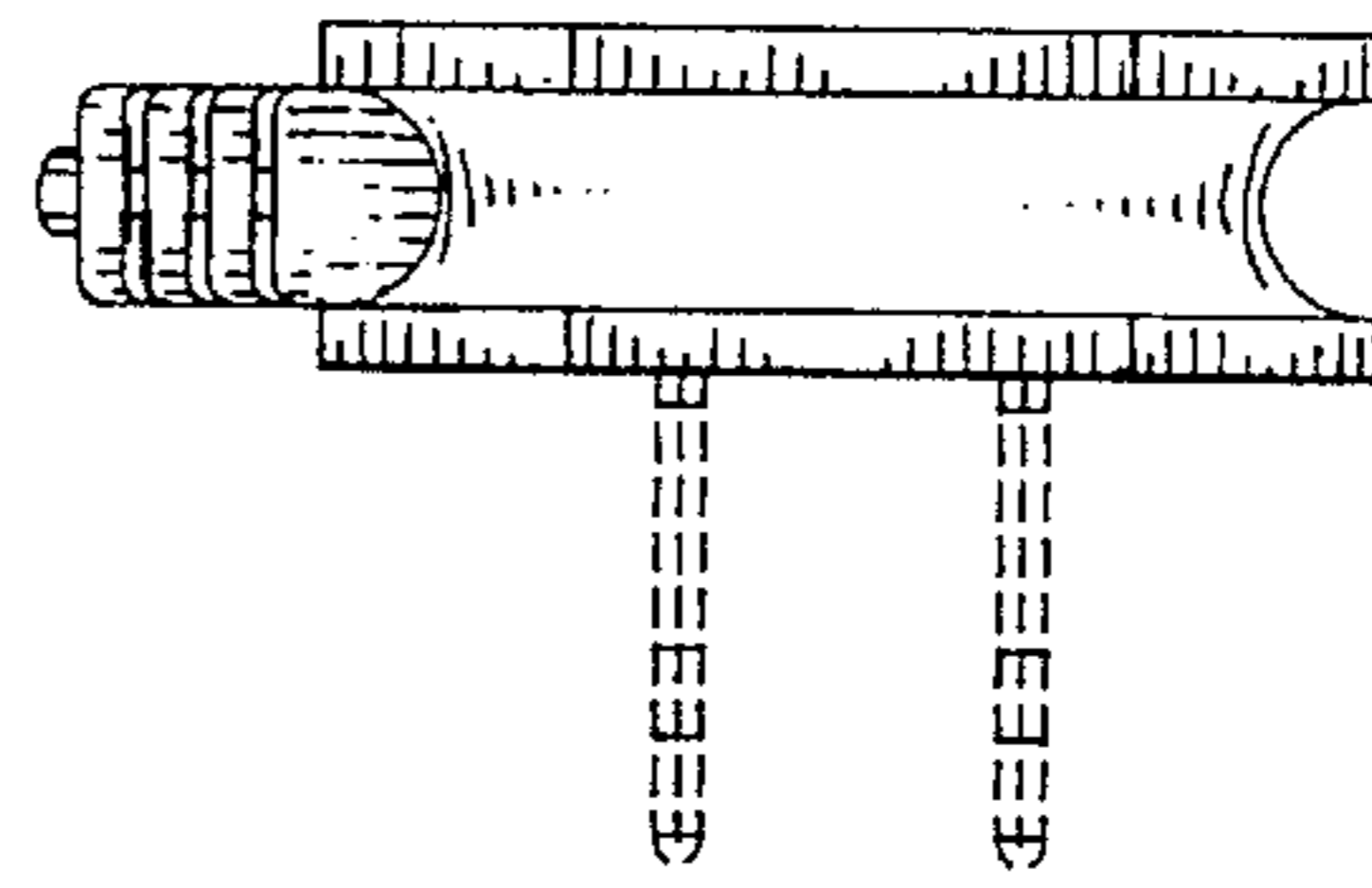


FIG. 5

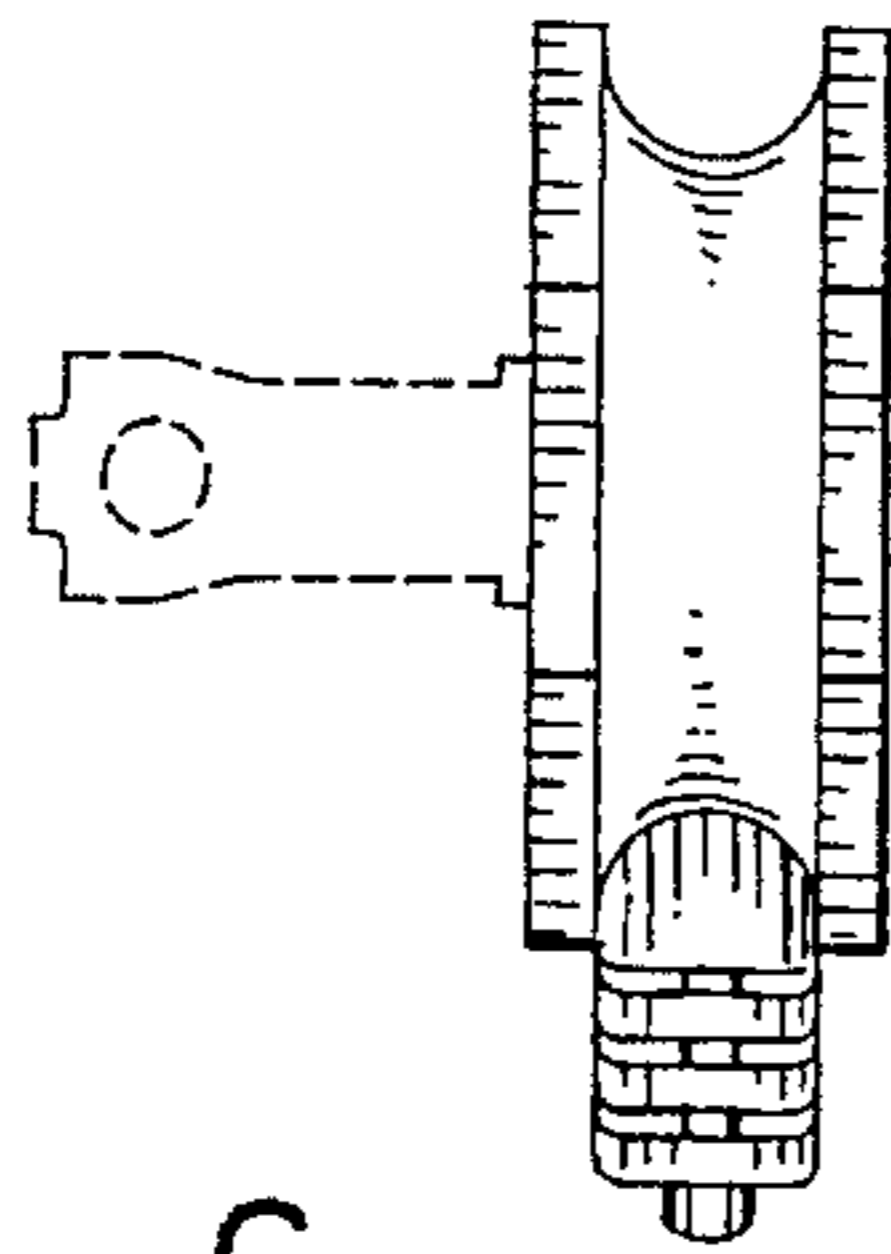


FIG. 6

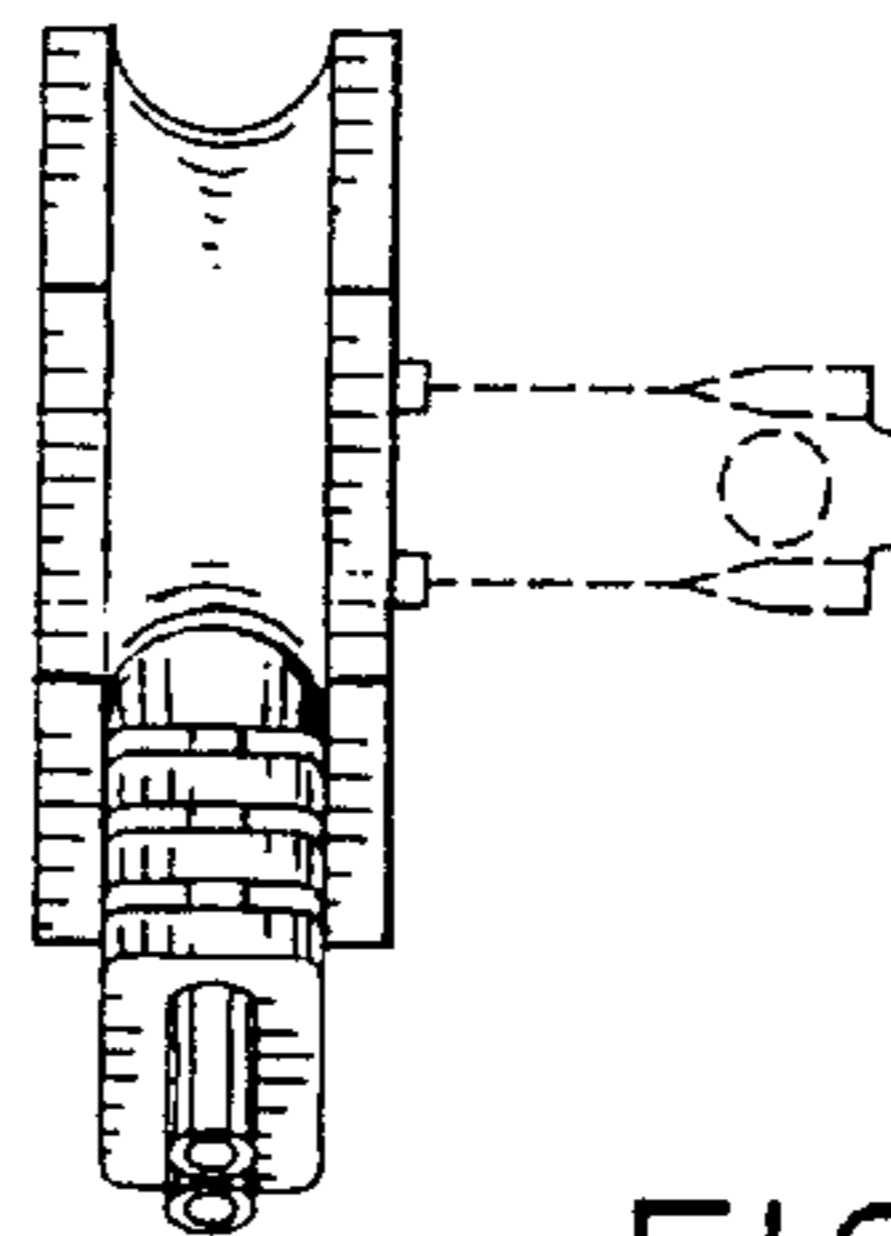


FIG. 7

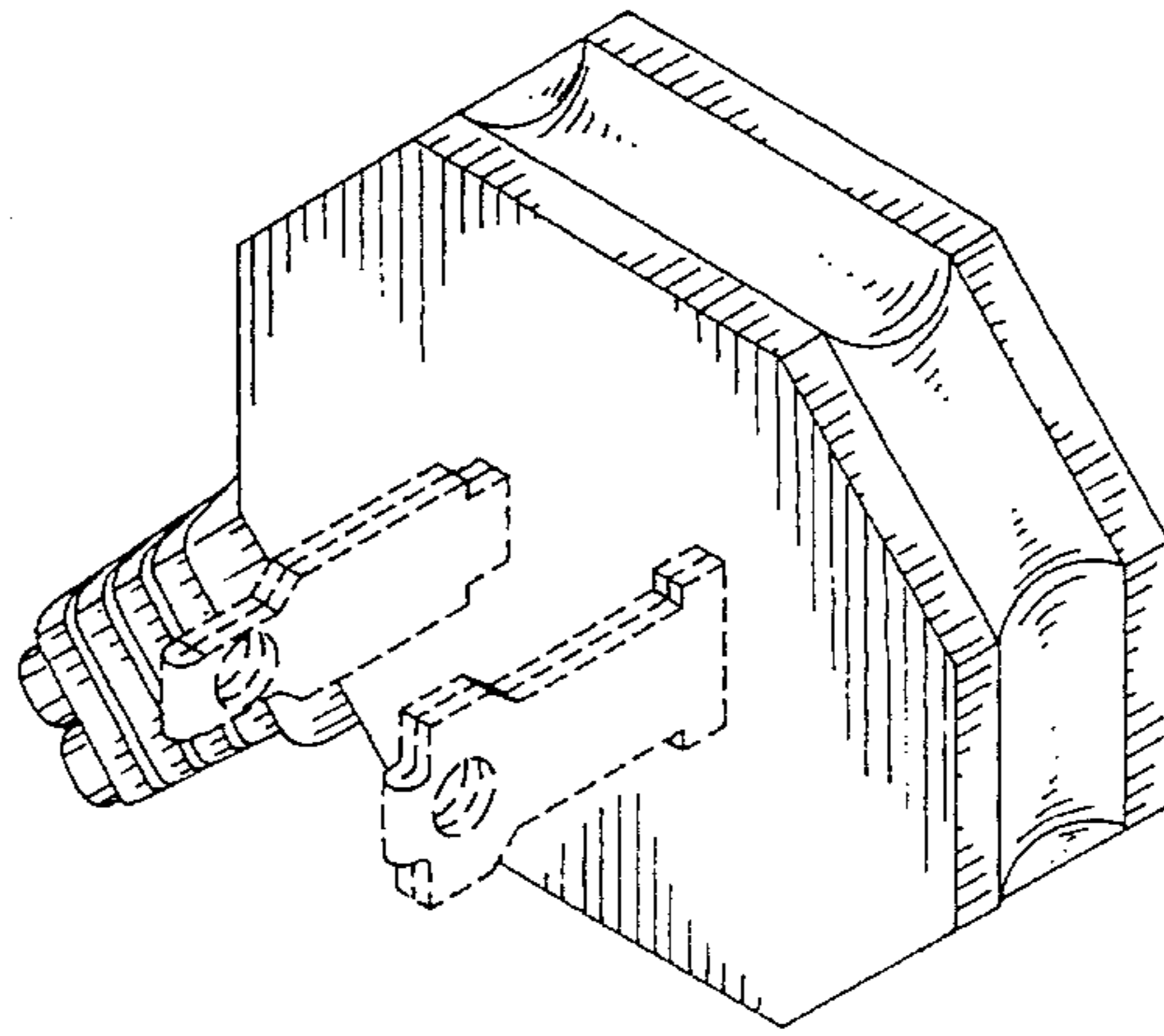


FIG. 8

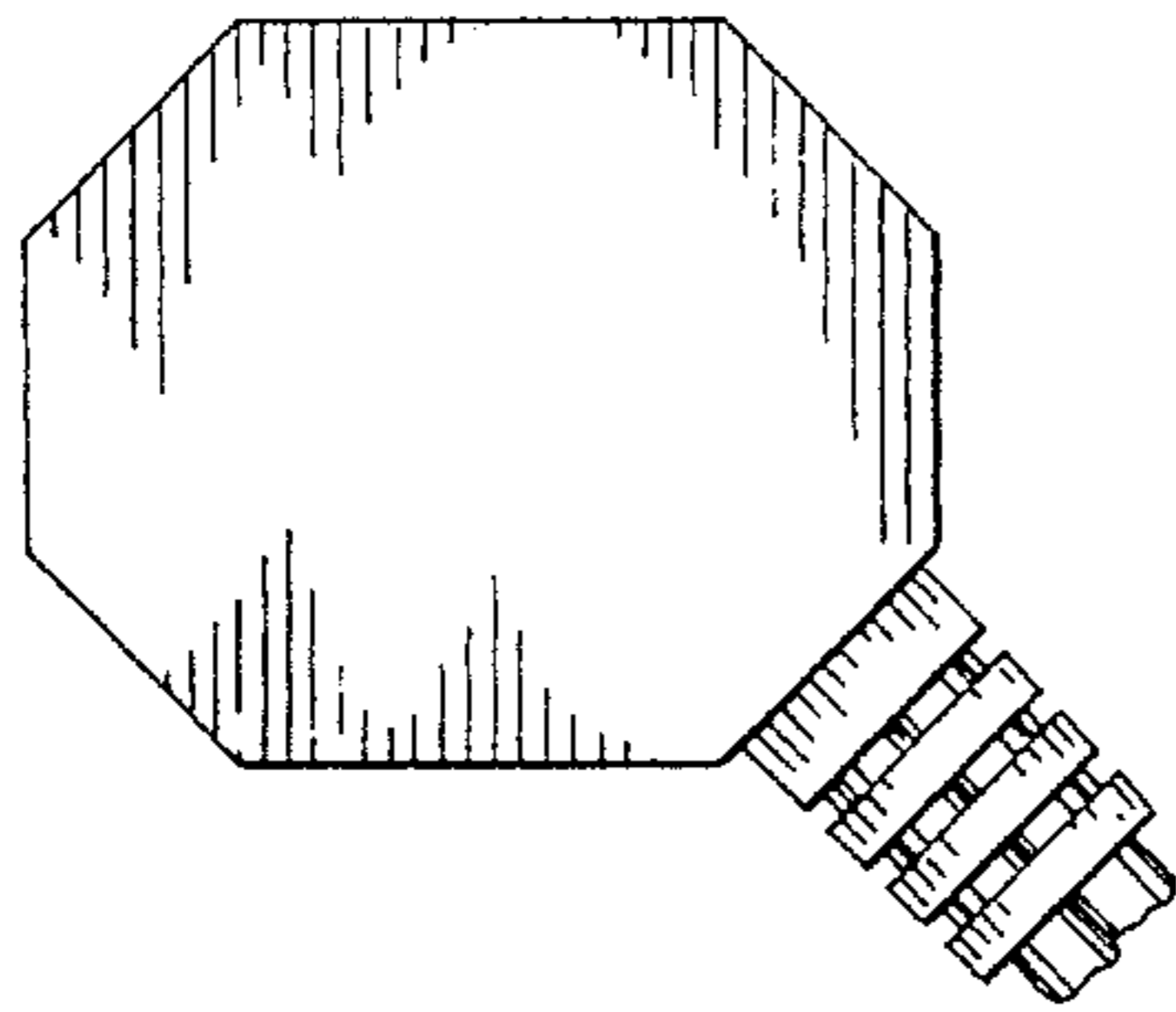


FIG. 9

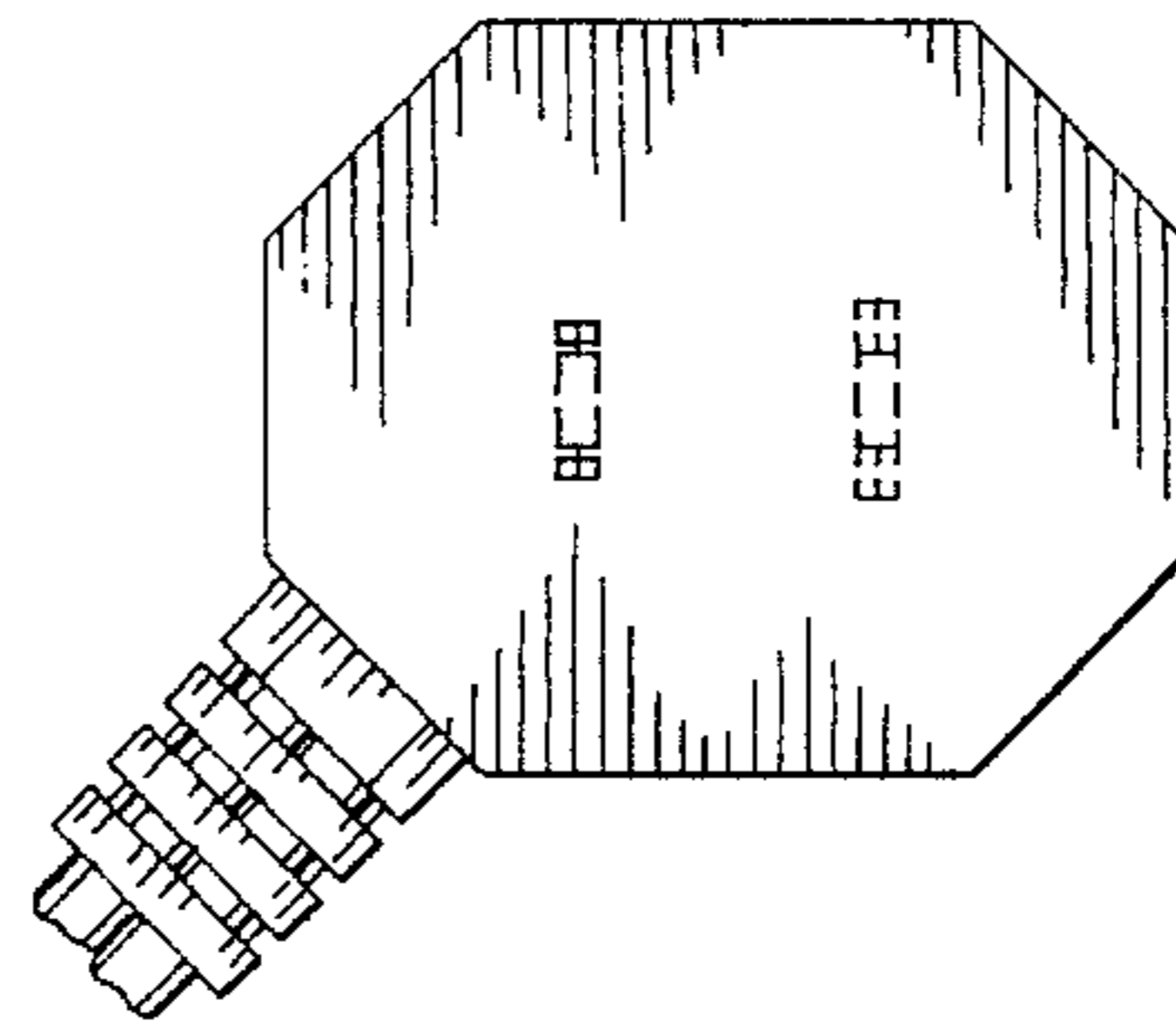


FIG. 10

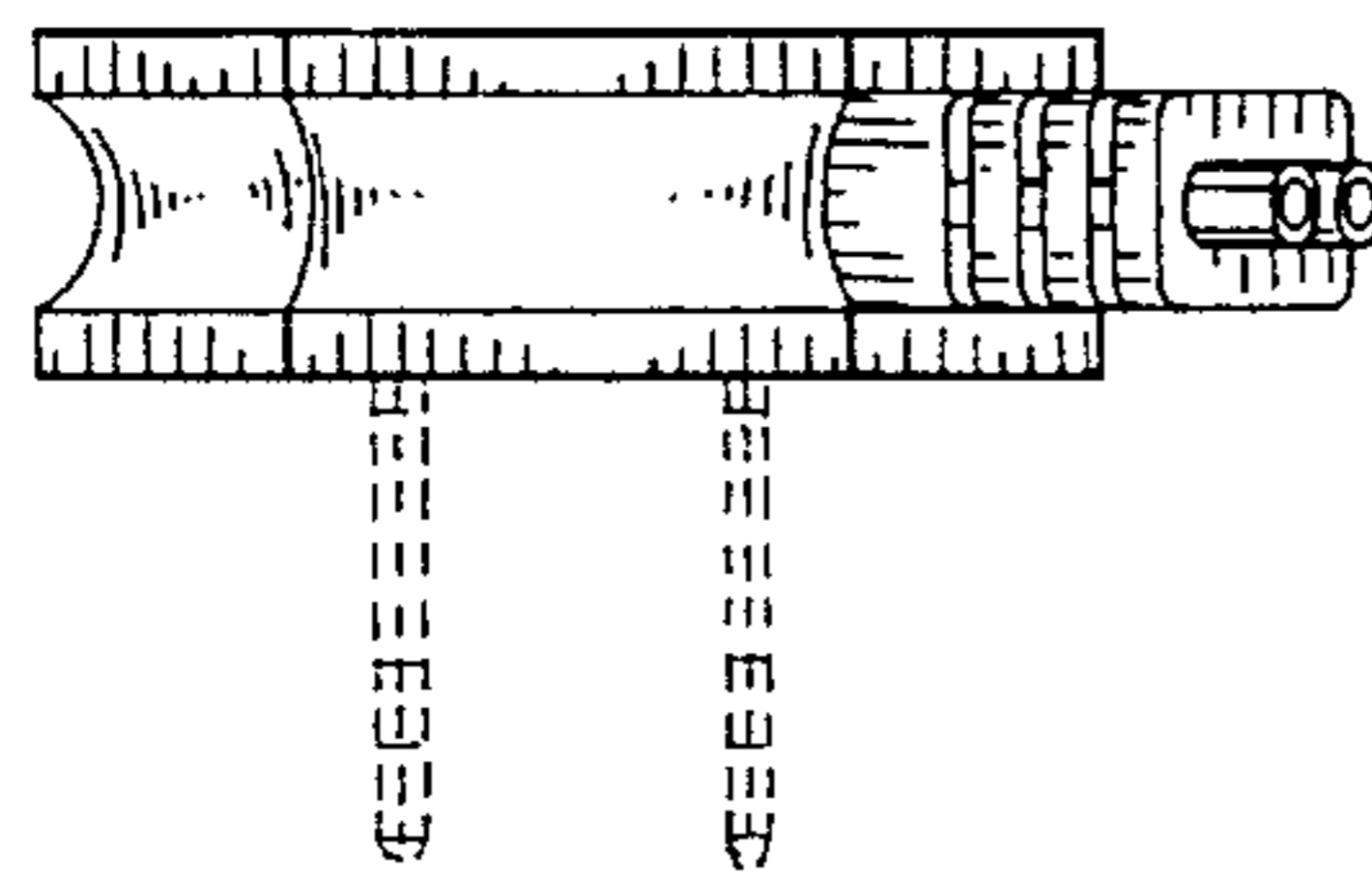


FIG. 11

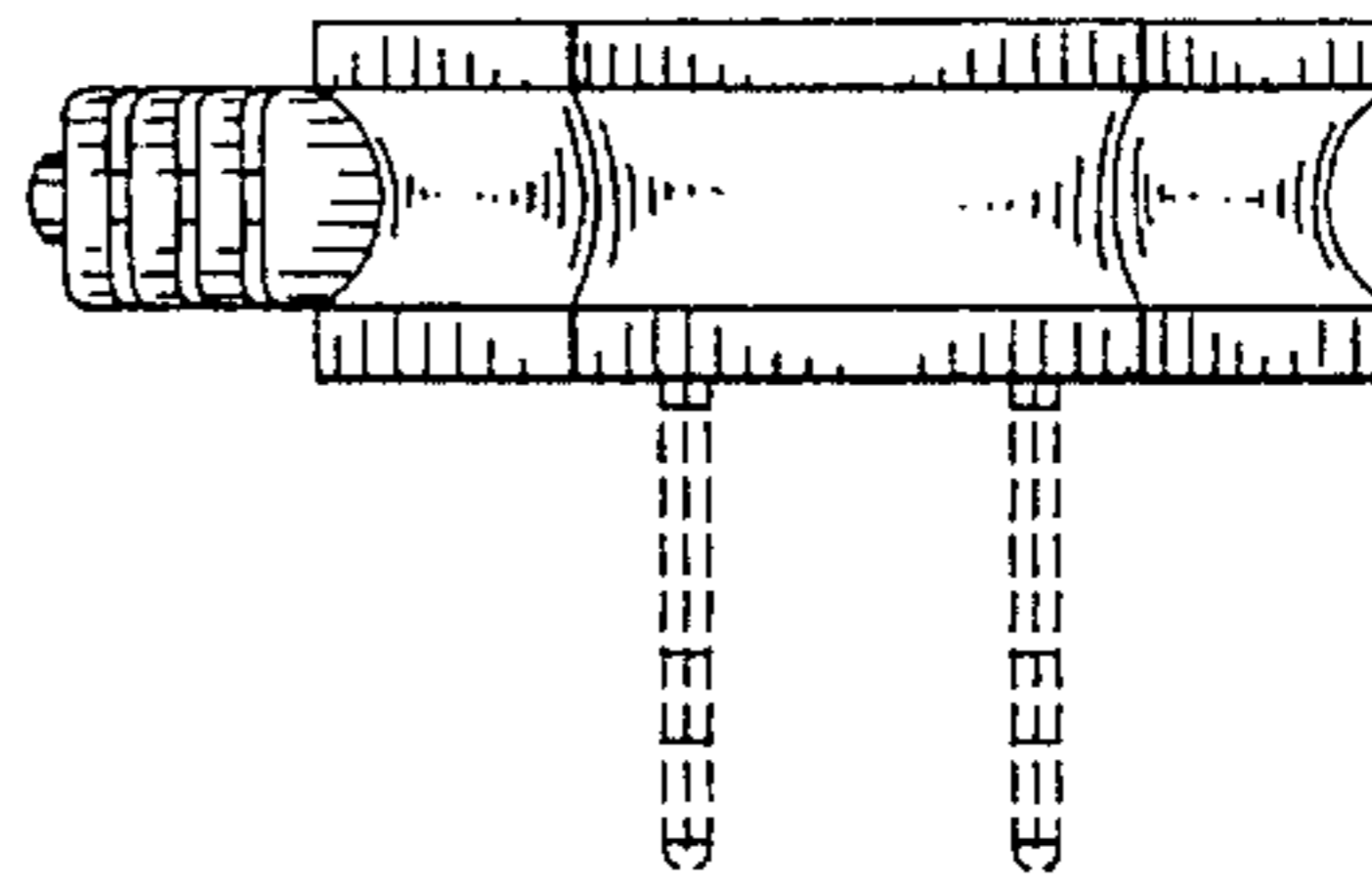


FIG. 12

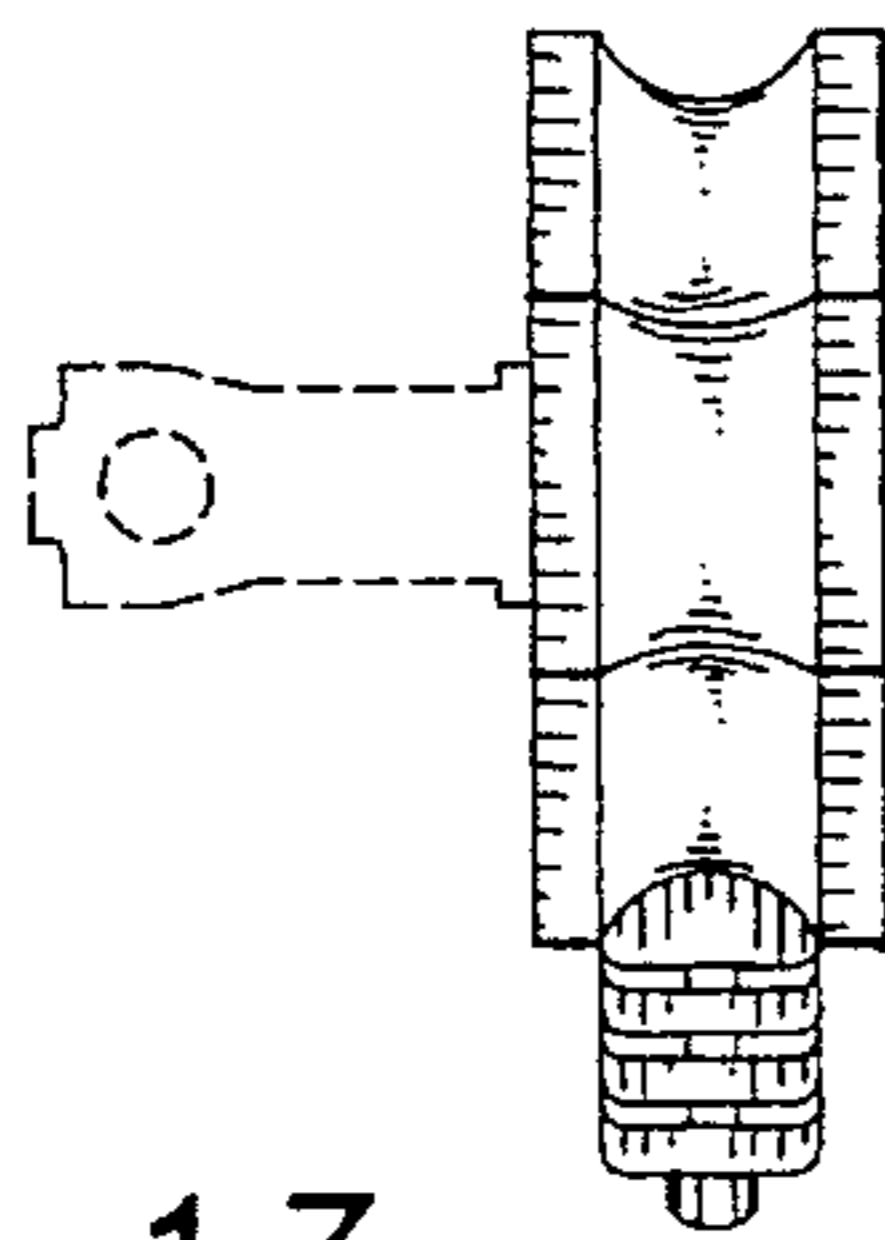


FIG. 13

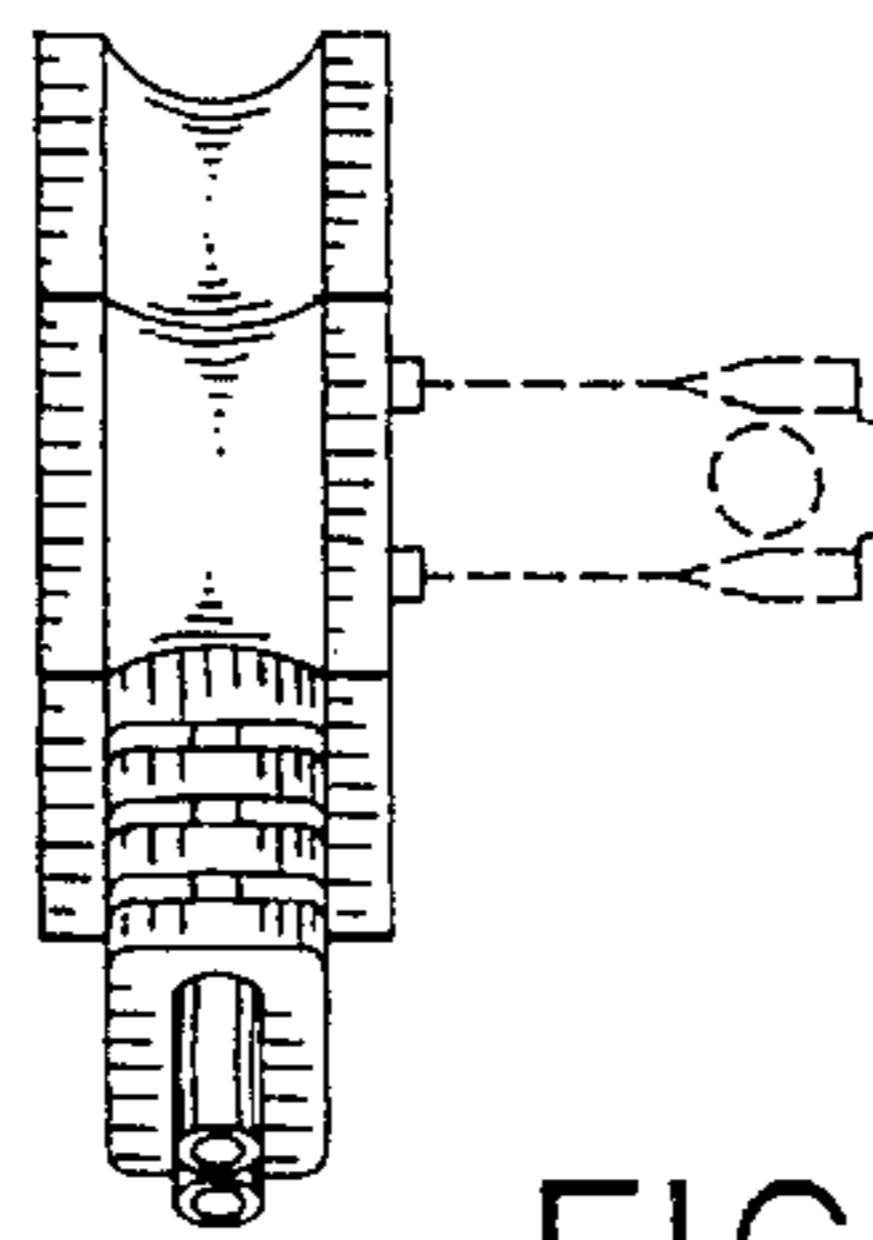


FIG. 14

FIG. 15

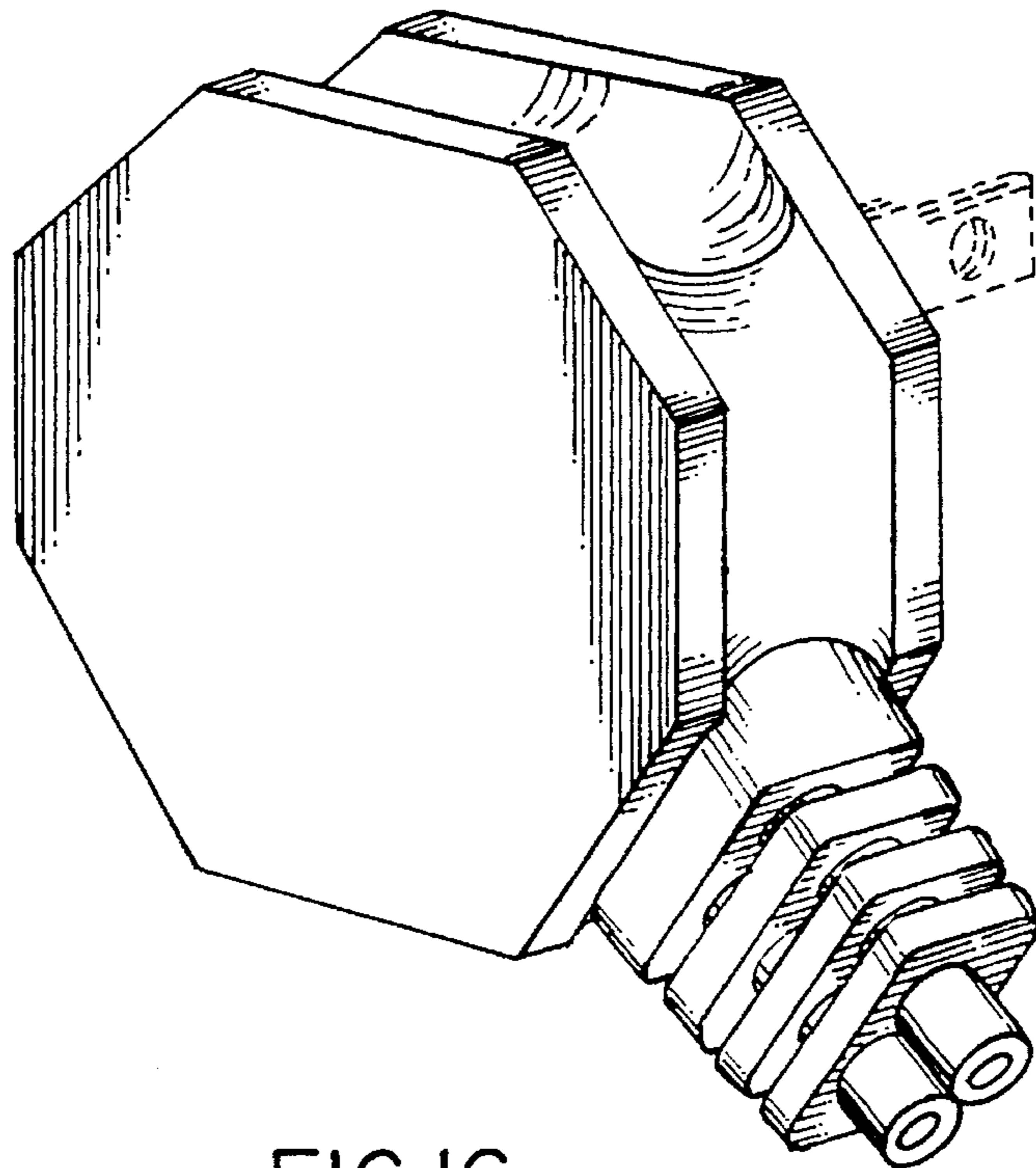


FIG. 16

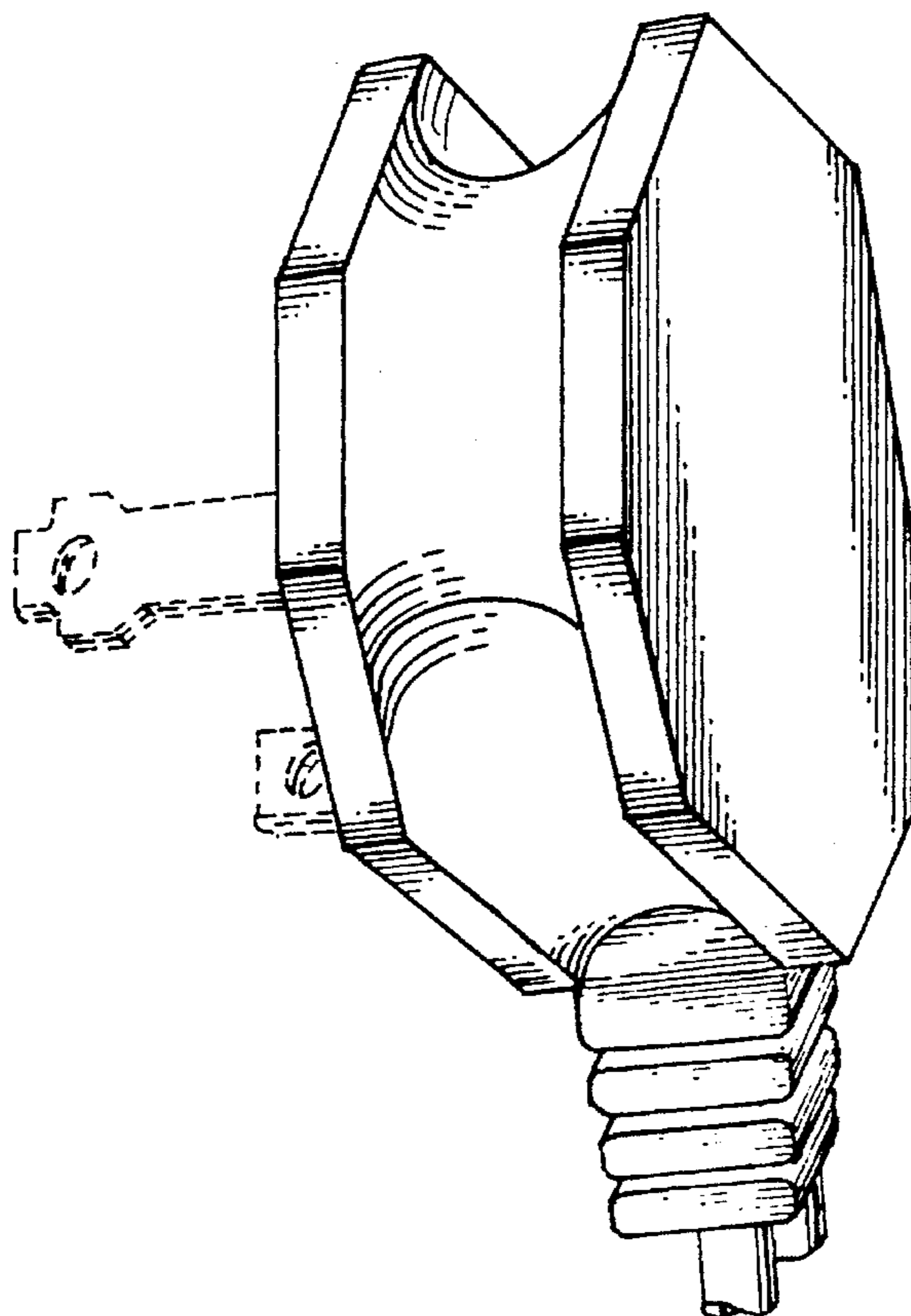


FIG. 17

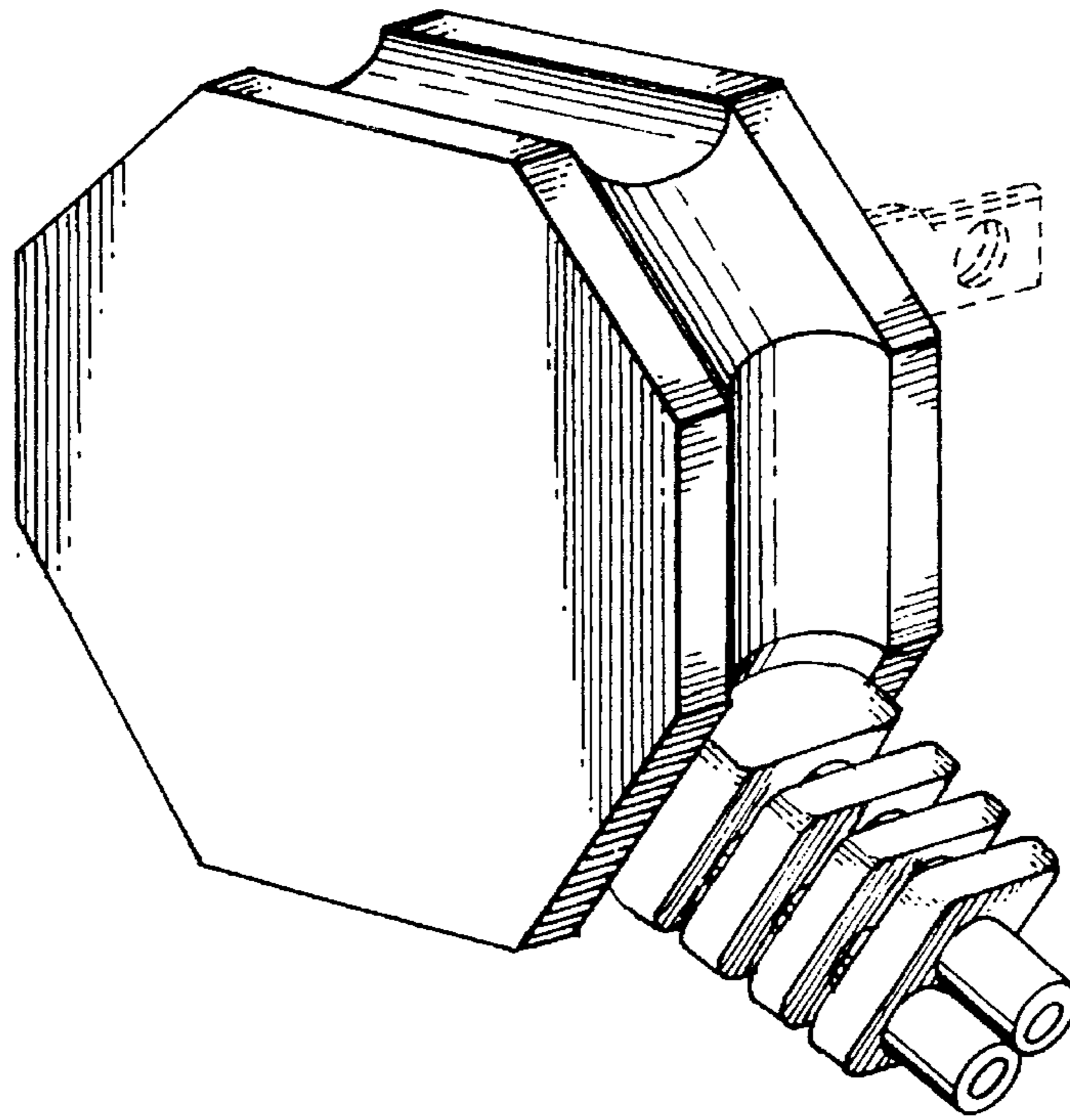


FIG. 18

