



US00D376344S

# United States Patent [19]

[11] **Patent Number: Des. 376,344**

**Gogan et al.**

[45] **Date of Patent: \*\*Dec. 10, 1996**

[54] **MOTORCYCLE LUGGAGE CARRIER**

4,993,731 2/1991 Fuller ..... 280/288.4

[75] Inventors: **Donald M. Gogan**, Brookfield;  
**Thomas G. Parson**, Dousman, both of  
Wis.

[73] Assignee: **Harley-Davidson Motor Company**,  
Milwaukee, Wis.

[\*\*] Term: **14 Years**

[21] Appl. No.: **41,637**

[22] Filed: **Jul. 20, 1995**

[52] U.S. Cl. .... **D12/407**

[58] Field of Search ..... D12/407, 408;  
224/30 R, 30 A, 32 A, 32 R, 35, 39

[56] **References Cited**

### U.S. PATENT DOCUMENTS

D. 230,018	1/1974	Abrams	.....	D12/407
D. 271,389	11/1983	Turkinton et al.	.....	D12/407
D. 276,338	11/1984	Stahel	.....	D12/407
3,625,405	12/1971	Kezar	.....	224/32 A
4,032,189	6/1977	Benavente et al.	.....	297/352
4,349,138	9/1982	Bruhn	.....	224/39
4,826,057	5/1989	Yamada	.....	224/32 A

### OTHER PUBLICATIONS

V-Twin 1993 Catalog, p. 511.  
Harley-Davidson 1992 Accessories Catalog, pages.  
Harley-Davidson 1993 Accessories Catalog, p. 20.  
Harley-Davidson 1995 Parts and Accessories Catalog, pp.  
41, 63, 73 and 82.

*Primary Examiner*—Melody N. Brown  
*Attorney, Agent, or Firm*—Michael, Best & Friedrich

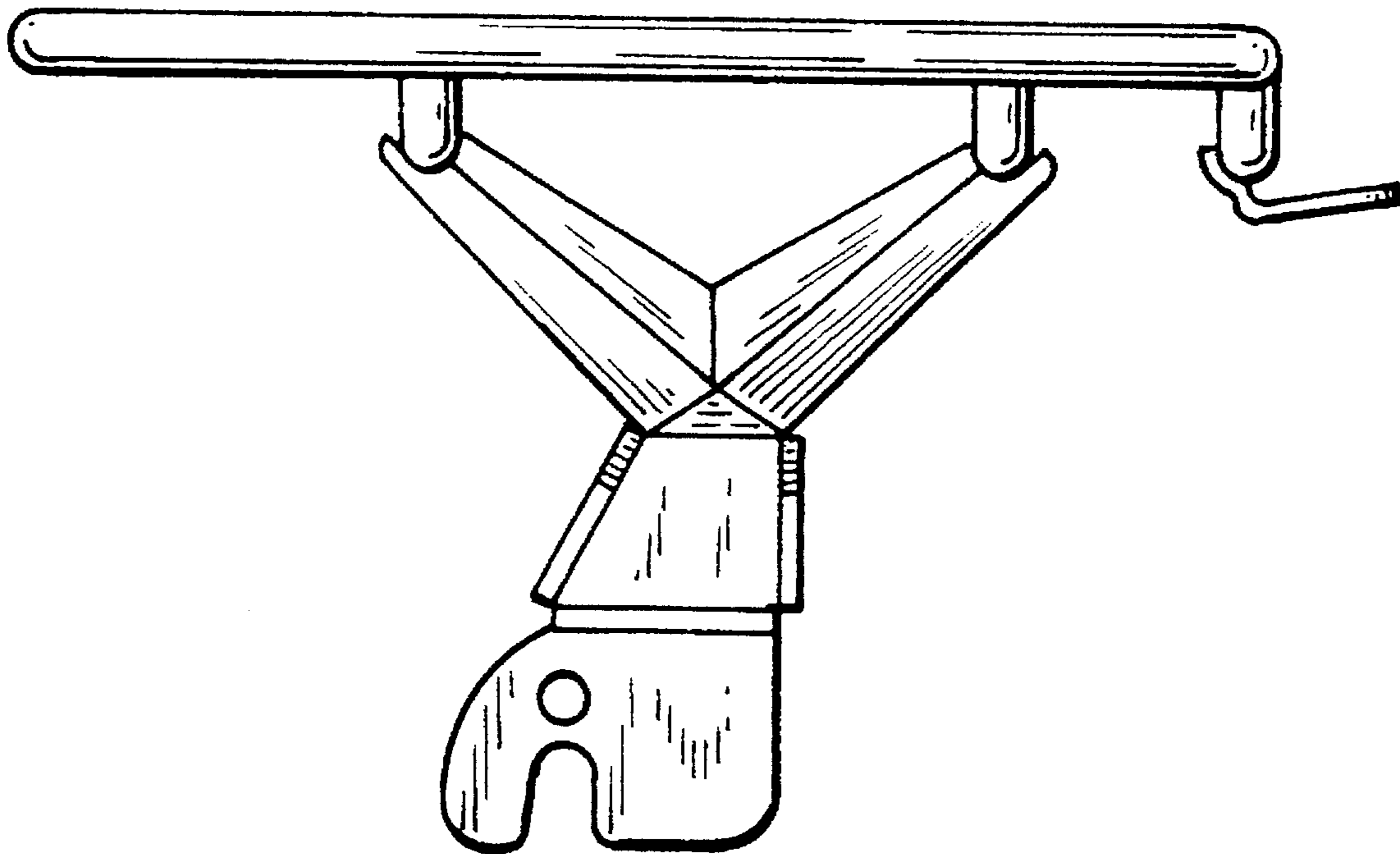
### [57] CLAIM

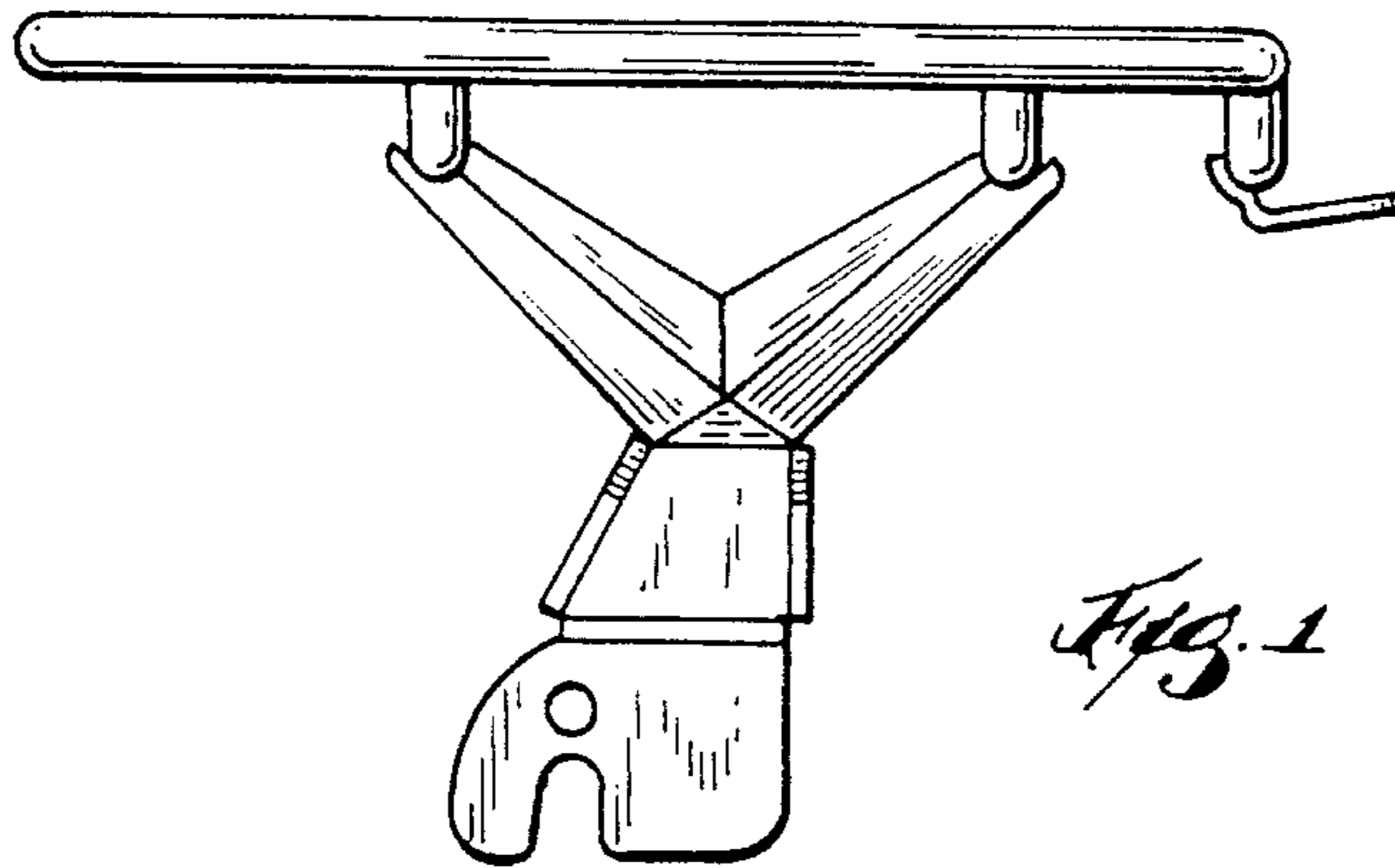
The ornamental design for a motorcycle luggage carrier, as shown and described.

### DESCRIPTION

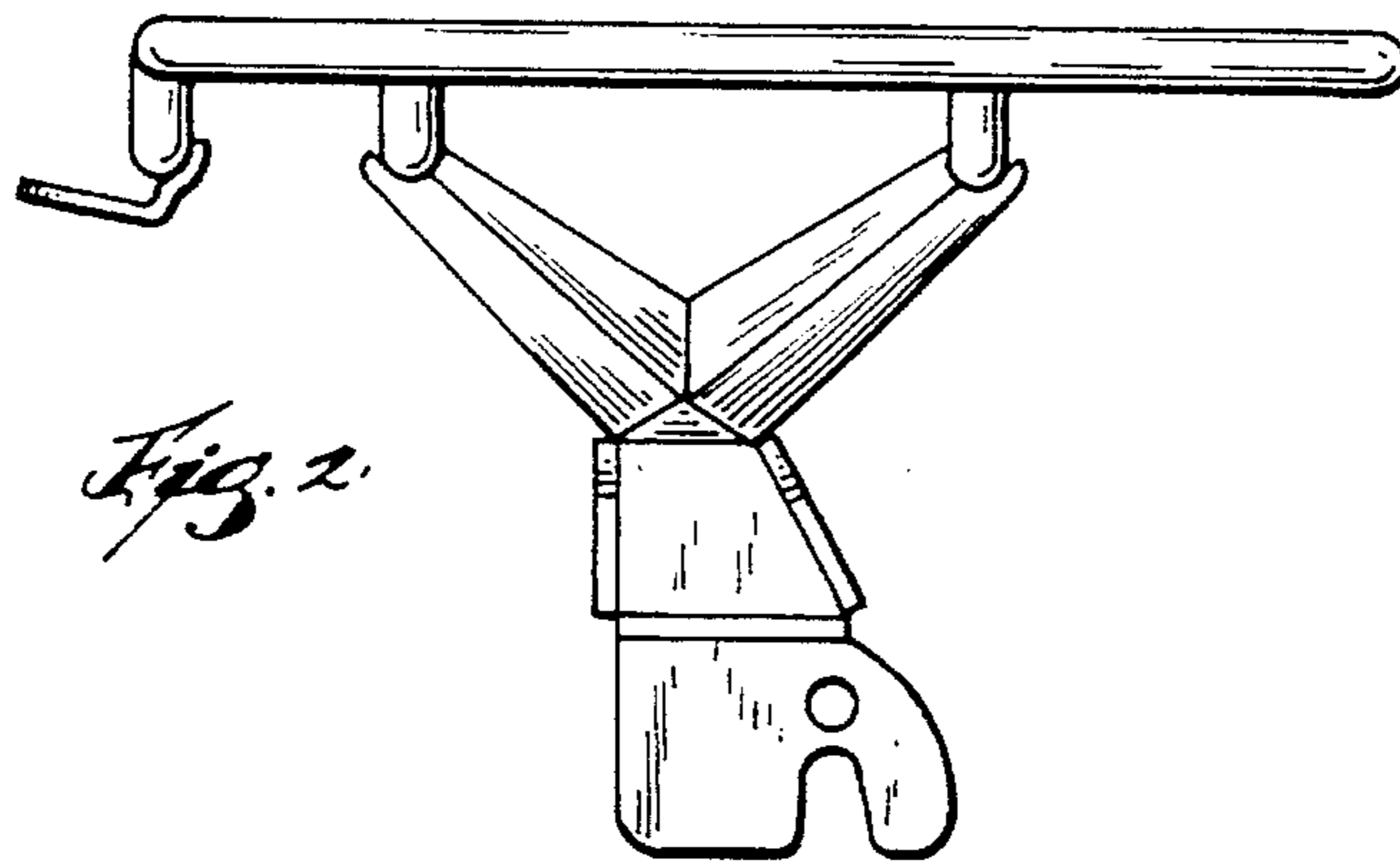
FIG. 1 is a right side view of an ornamental design of a motorcycle luggage carrier according to our invention; FIG. 2 is a left side view thereof; FIG. 3 is a top view thereof; FIG. 4 is a bottom view thereof; FIG. 5 is a front view thereof; and, FIG. 6 is a rear view thereof.

**1 Claim, 2 Drawing Sheets**

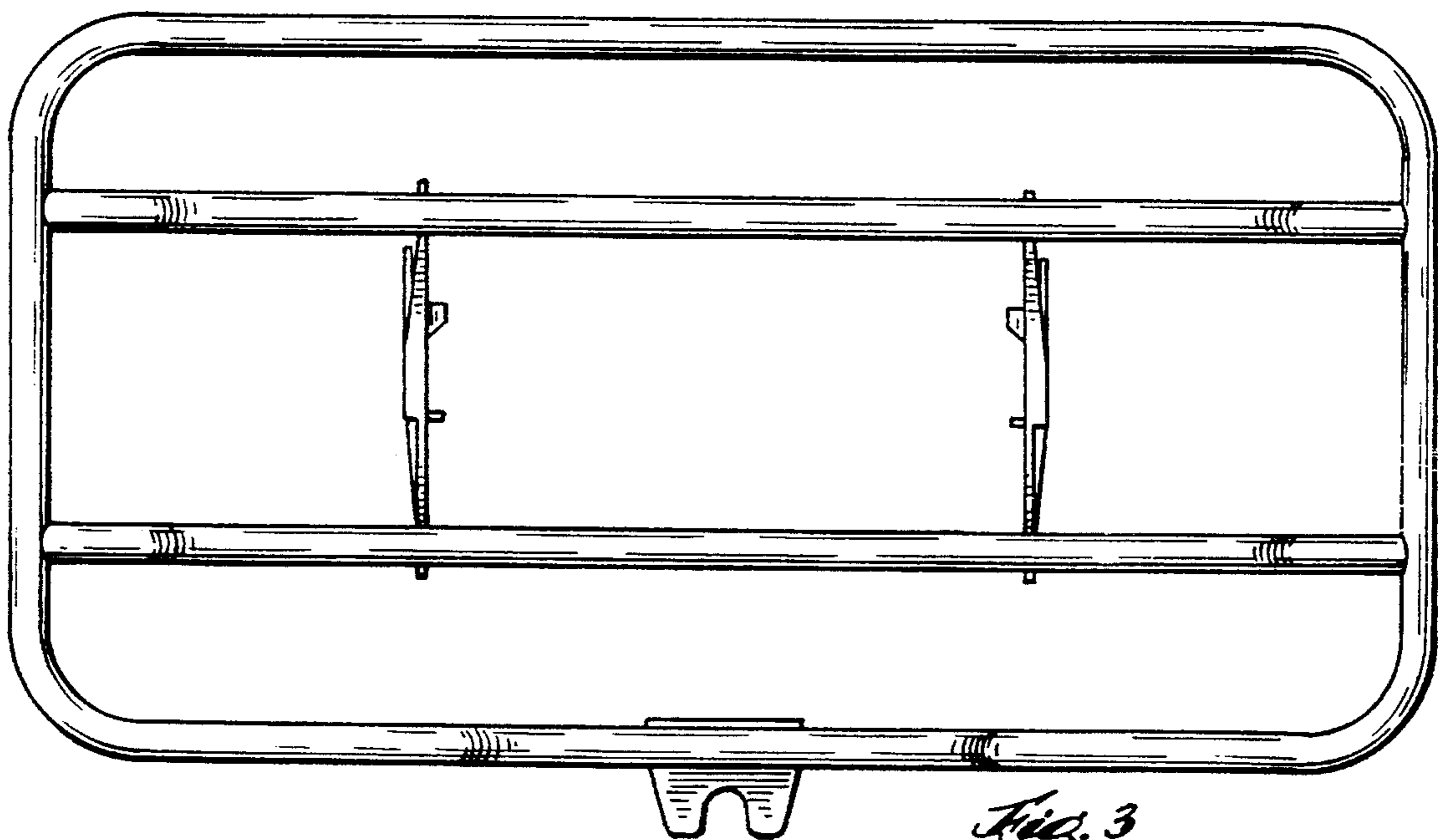




*Fig. 1*



*Fig. 2*



*Fig. 3*

