



US00D376343S

United States Patent [19]

[11] **Patent Number: Des. 376,343**

Alcocer

[45] **Date of Patent: **Dec. 10, 1996**

[54] **REVEAL AIRCRAFT WINDOW**

[75] Inventor: **Hector Alcocer**, San Antonio, Tex.

[73] Assignee: **A & C Products, Inc.**, San Antonio, Tex.

[**] Term: **14 Years**

[21] Appl. No.: **43,118**

[22] Filed: **Aug. 25, 1995**

[52] U.S. Cl. **D12/345**; D12/183

[58] Field of Search D12/345, 183;
244/129.3, 129.4

[56] **References Cited**

U.S. PATENT DOCUMENTS

D. 331,215	11/1992	Moreno et al.	D12/345
D. 350,322	9/1994	Carson et al.	D12/183
5,181,677	1/1993	Kaplan et al.	244/129.4
5,259,576	11/1993	Howard	244/129.4

Primary Examiner—Kay H. Chin
Attorney, Agent, or Firm—Cox & Smith Incorporated

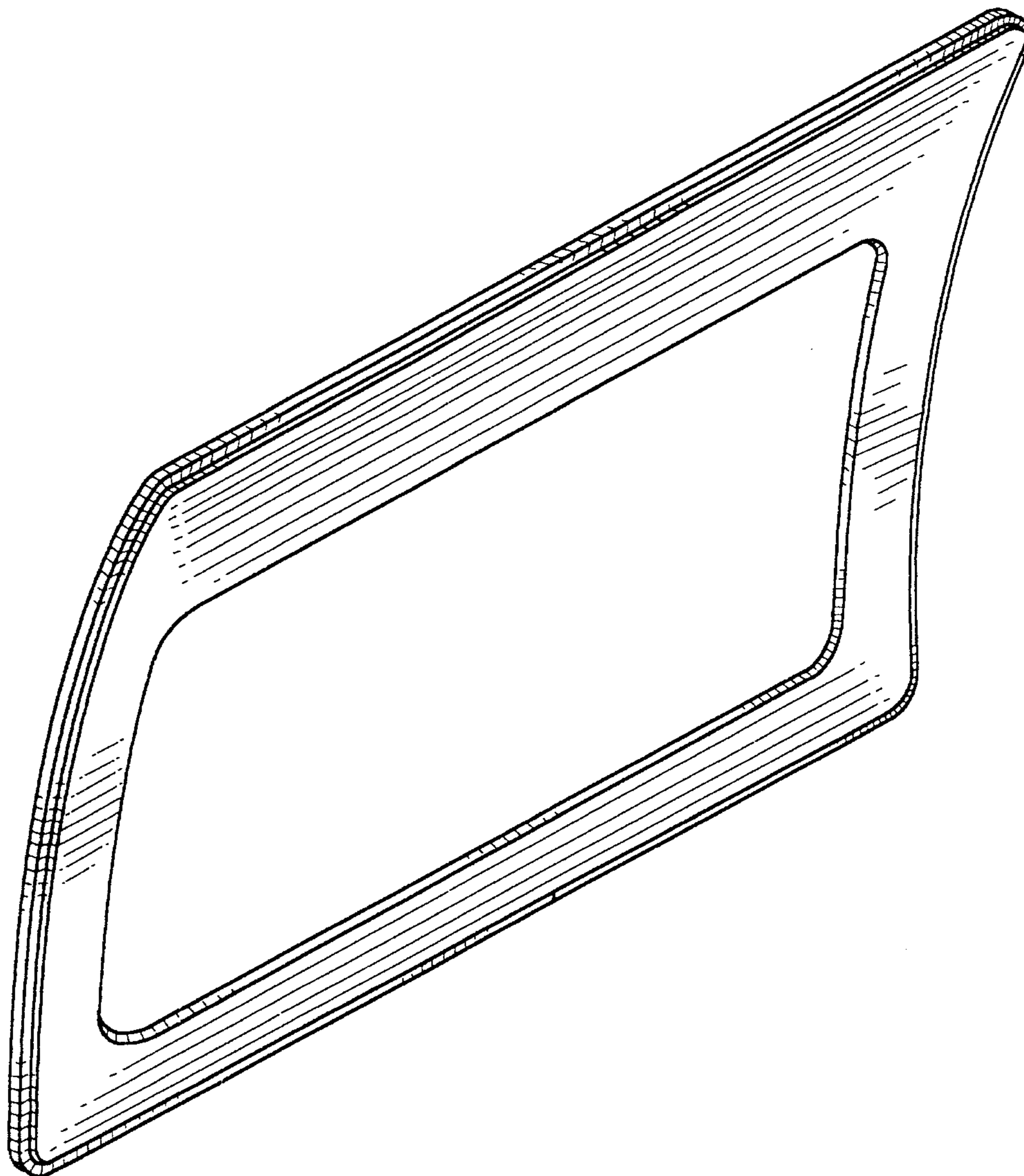
[57] **CLAIM**

The ornamental design for a reveal aircraft window, as shown and described.

DESCRIPTION

FIG. 1 is a perspective frontal left view of the reveal aircraft window;
 FIG. 2 is a front view elevational view of the reveal aircraft window;
 FIG. 3 is a left elevational view of the reveal aircraft window;
 FIG. 4 is a right elevational view of the reveal aircraft window;
 FIG. 5 is a top plan view of the reveal aircraft window;
 FIG. 6 is a bottom plan view of the reveal aircraft window;
 and,
 FIG. 7 is a rear view of the reveal aircraft window.

1 Claim, 5 Drawing Sheets



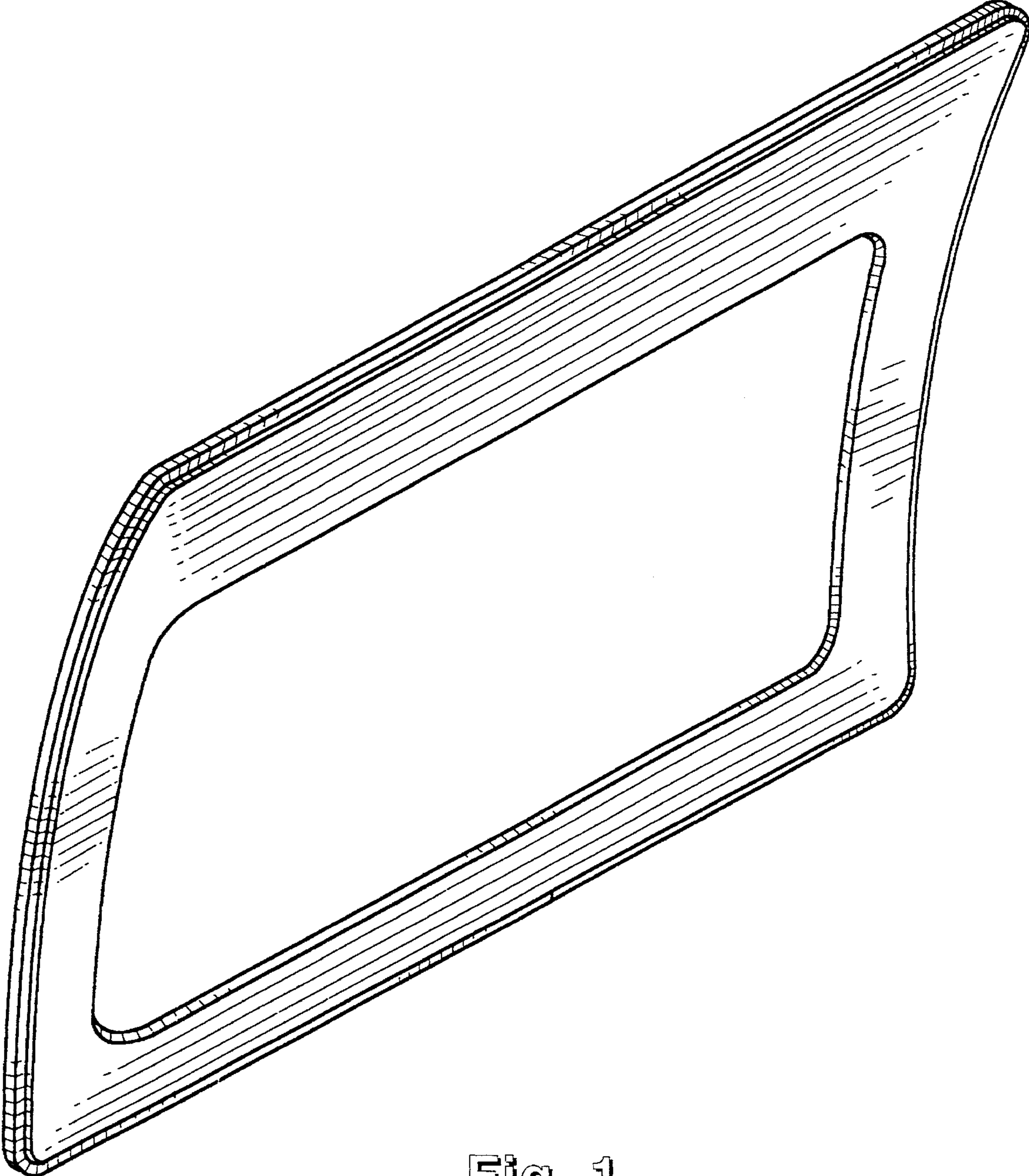


Fig. 1

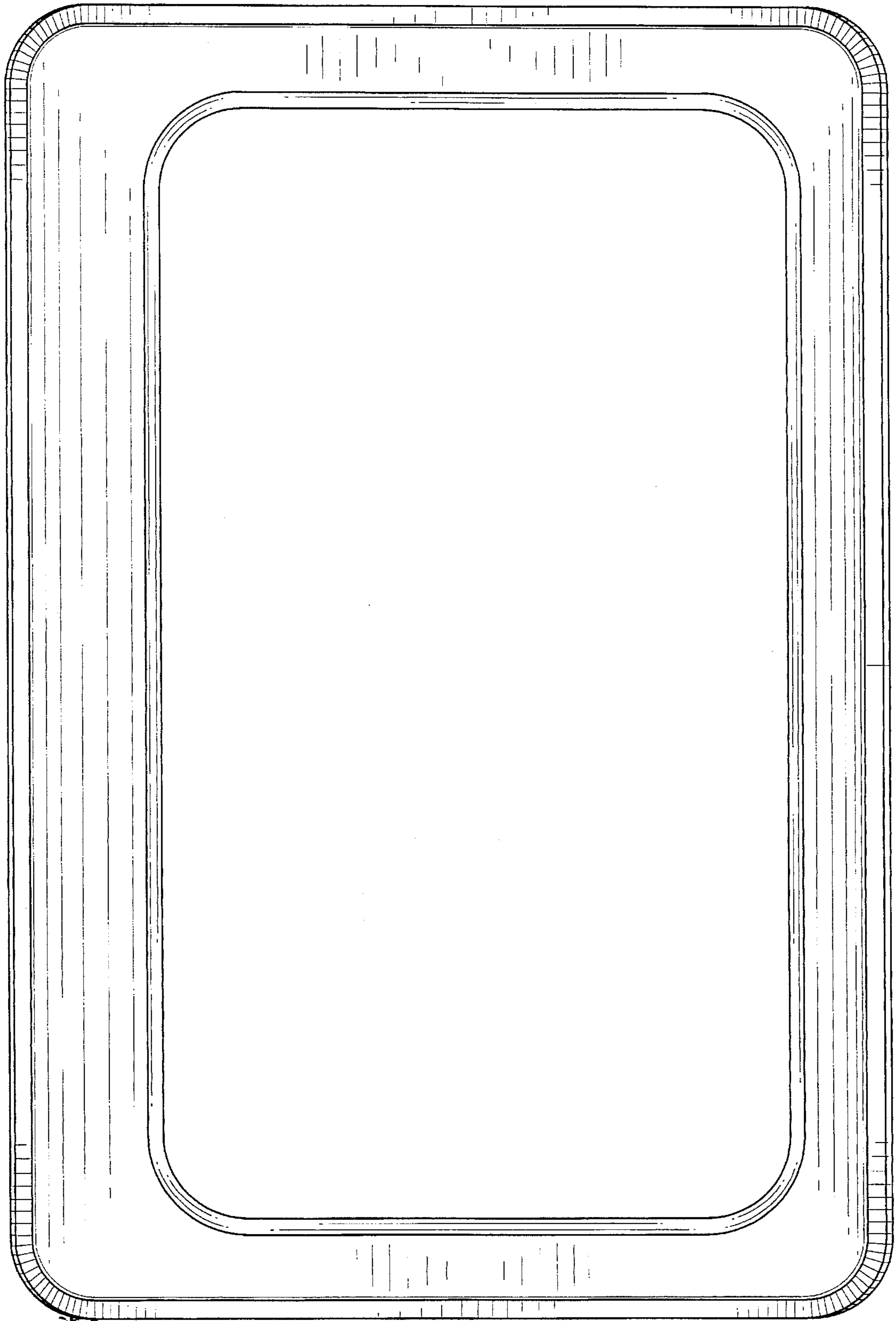


Fig. 2

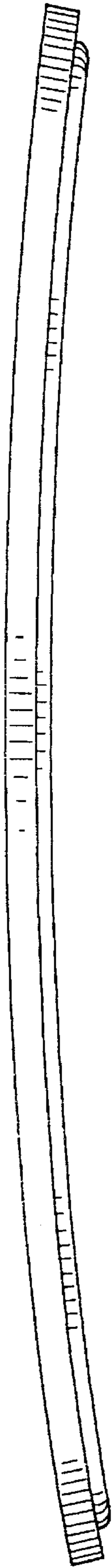


Fig. 3



Fig. 4

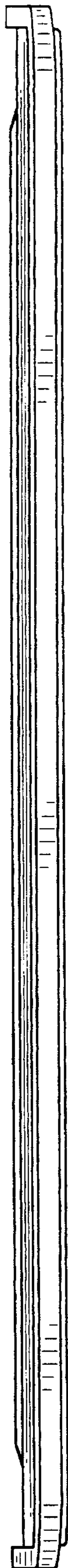


Fig. 5



Fig. 6

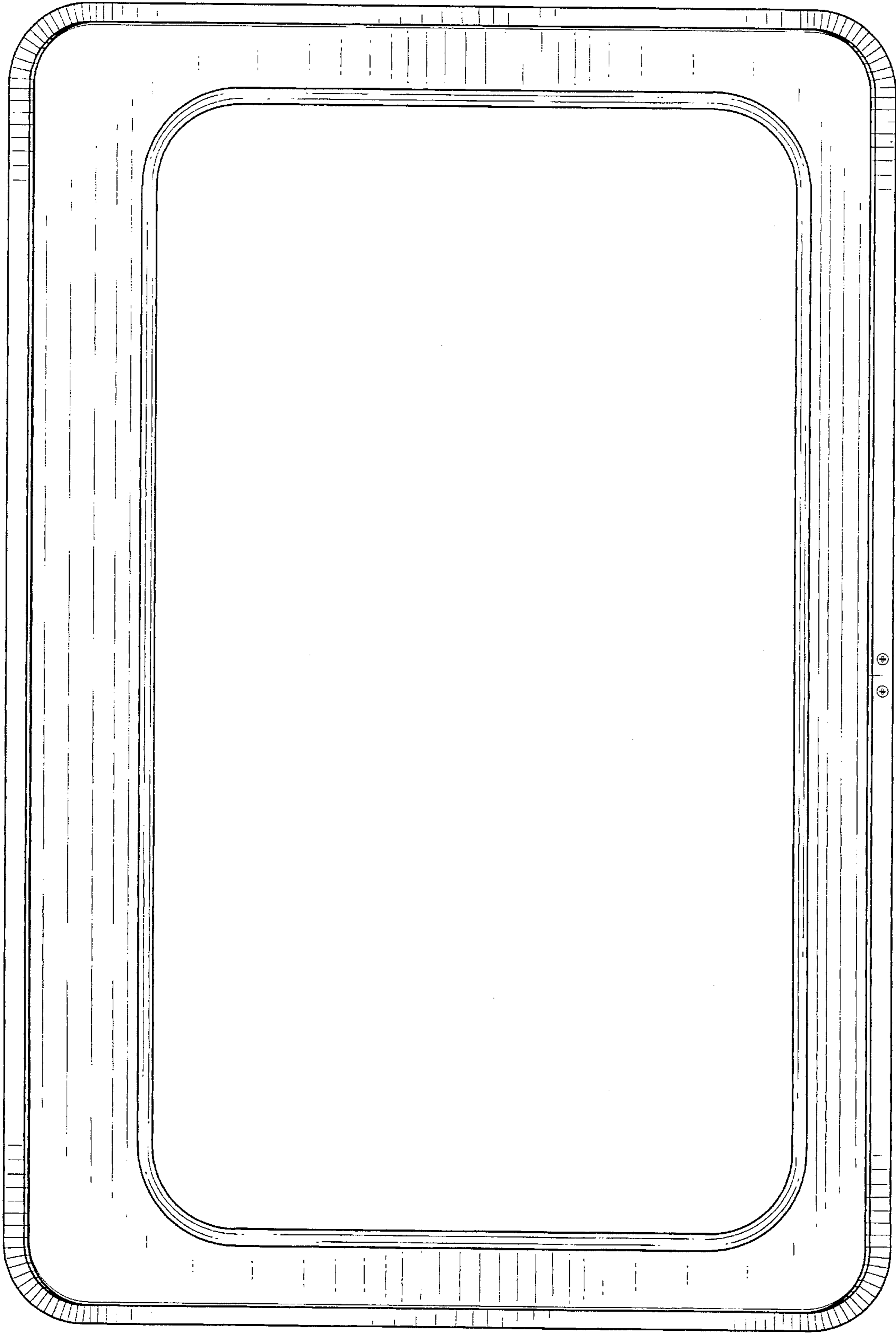


FIG. 7