



US00D376341S

United States Patent [19]

Kovach et al.

[11] **Patent Number: Des. 376,341**

[45] **Date of Patent: **Dec. 10, 1996**

[54] **SPOILER**

[76] Inventors: **Robert L. Kovach**, 5765 Brecksville Rd., Independence, Ohio 44131; **Robert A. Kovach**, 18260 Shaw Rd., Auburn, Ohio 44234

[**] Term: **14 Years**

[21] Appl. No.: **43,746**

[22] Filed: **Sep. 11, 1995**

[52] U.S. Cl. **D12/181**

[58] **Field of Search** D12/181, 190; 180/903; 296/91, 180.1, 180.2, 180.3, 180.4, 180.5

[56] **References Cited**

U.S. PATENT DOCUMENTS

- D. 290,454 6/1987 Menking et al. D12/181
- D. 319,613 9/1991 Mikawa D12/181

OTHER PUBLICATIONS

J.C. Whitney & Co., Catalog No. 546J © 1992 Super-Wing Rear Spoiler; Bottom, Right of p. 80.

Primary Examiner—A. Hugo Word
Assistant Examiner—Lavone D. Tabor
Attorney, Agent, or Firm—Woodling, Krost and Rust

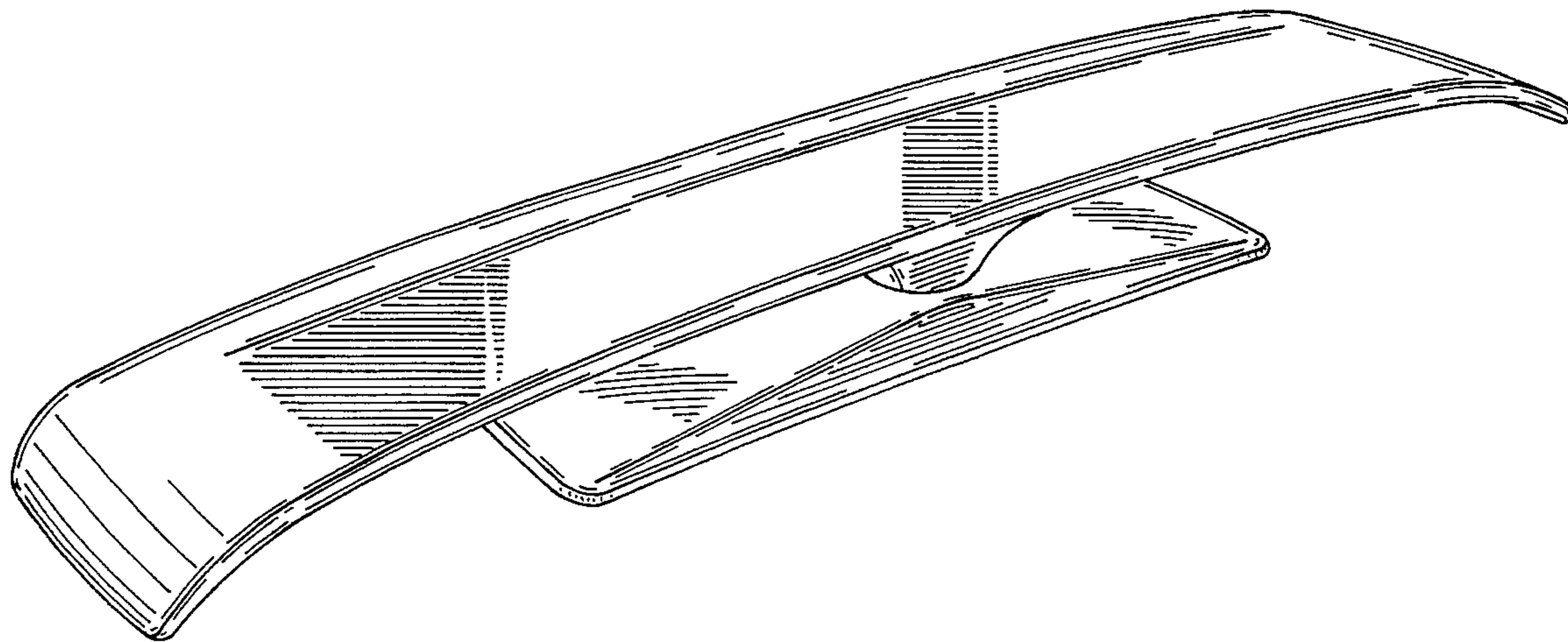
[57] **CLAIM**

The ornamental design for a spoiler, as shown and described.

DESCRIPTION

FIG. 1 is a rear perspective view of my design;
FIG. 2 is a front perspective view of my design;
FIG. 3 is a top plan view of my design;
FIG. 4 is a rear elevational view of my design;
FIG. 5 is a front elevational view of my design;
FIG. 6 is a bottom view of my design; and,
FIG. 7 is a right side elevational view of my design.

1 Claim, 4 Drawing Sheets



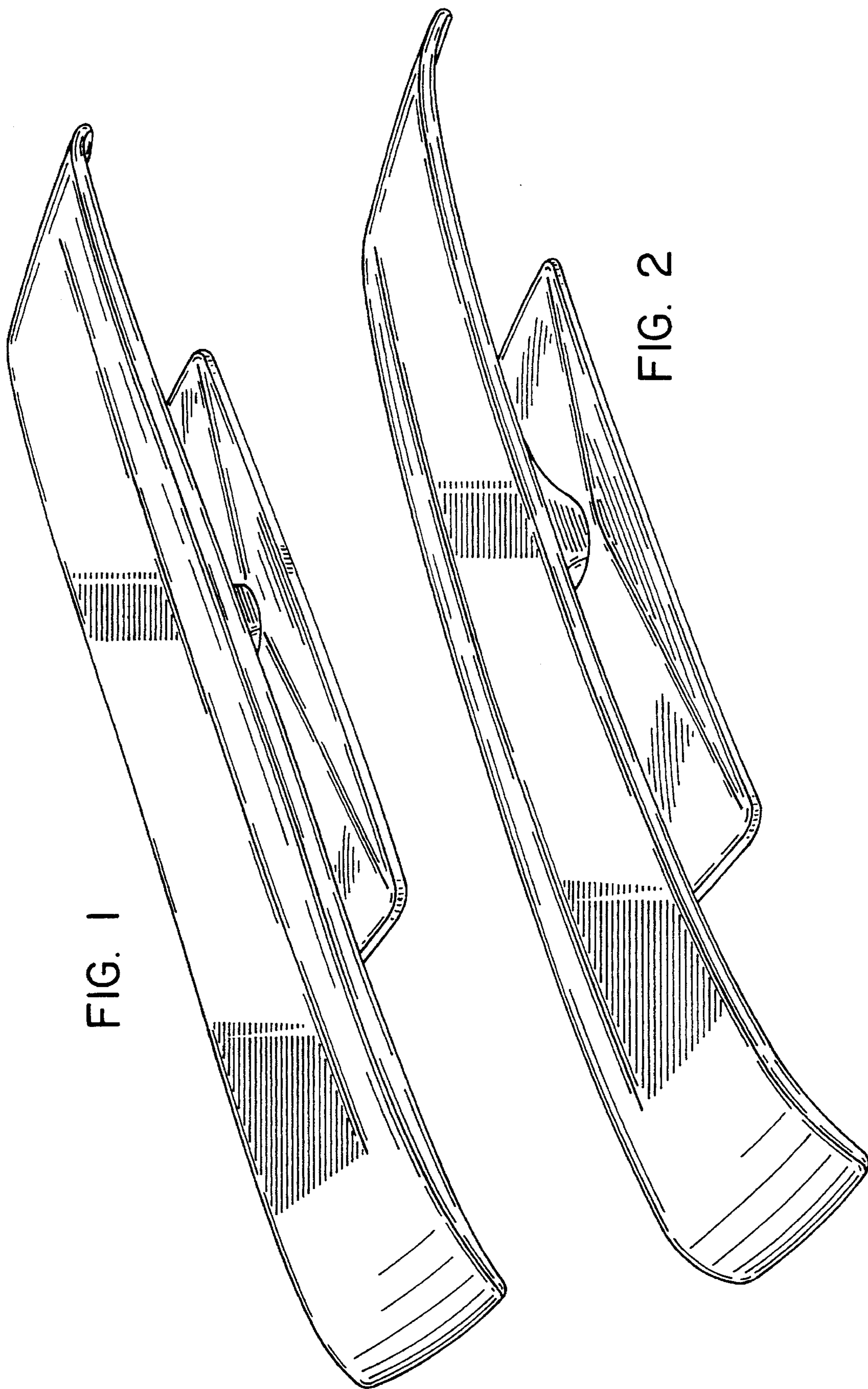


FIG. 1

FIG. 2

FIG. 3

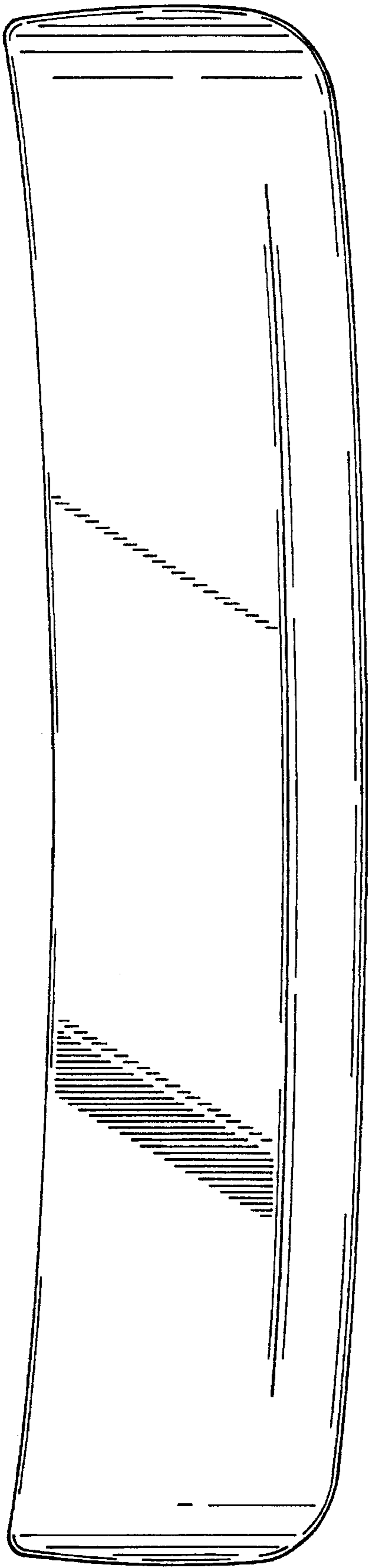


FIG. 4

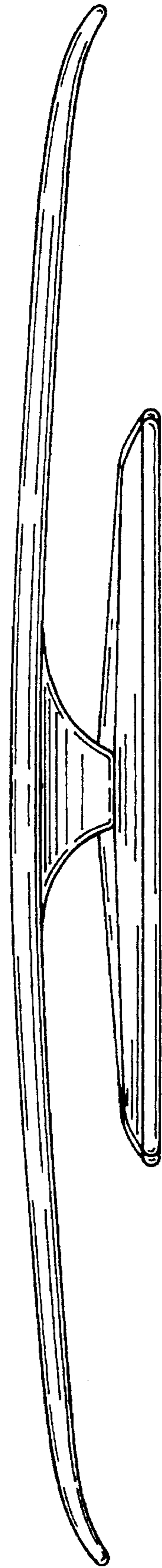


FIG. 5

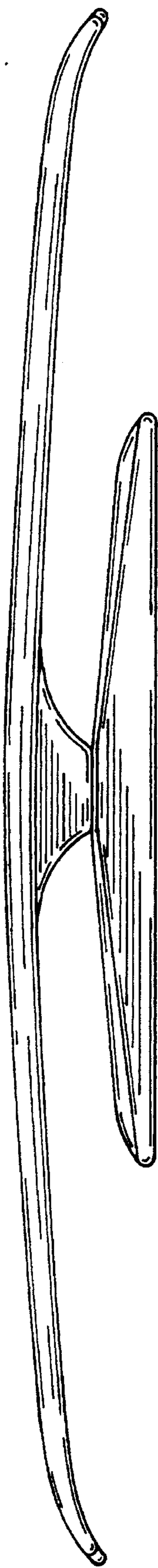
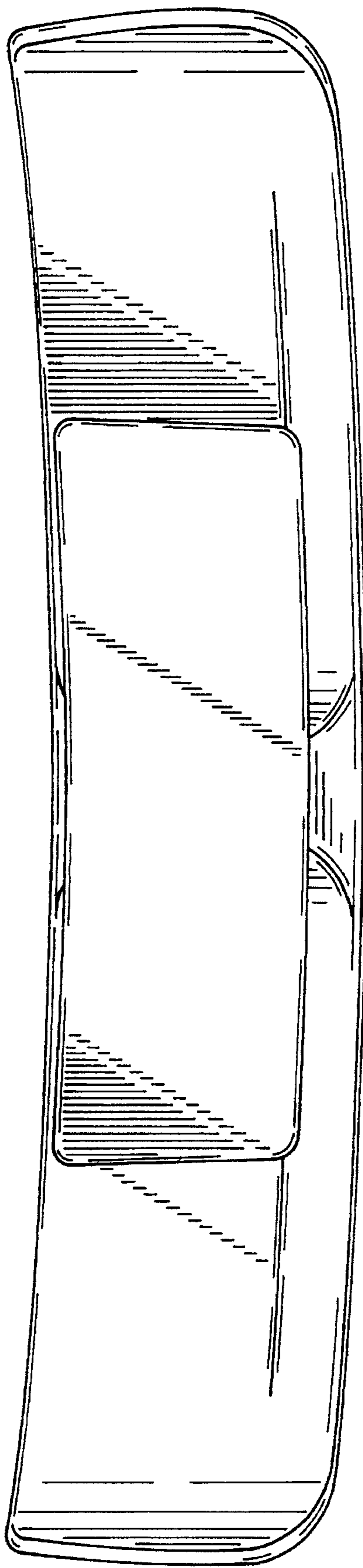


FIG. 6



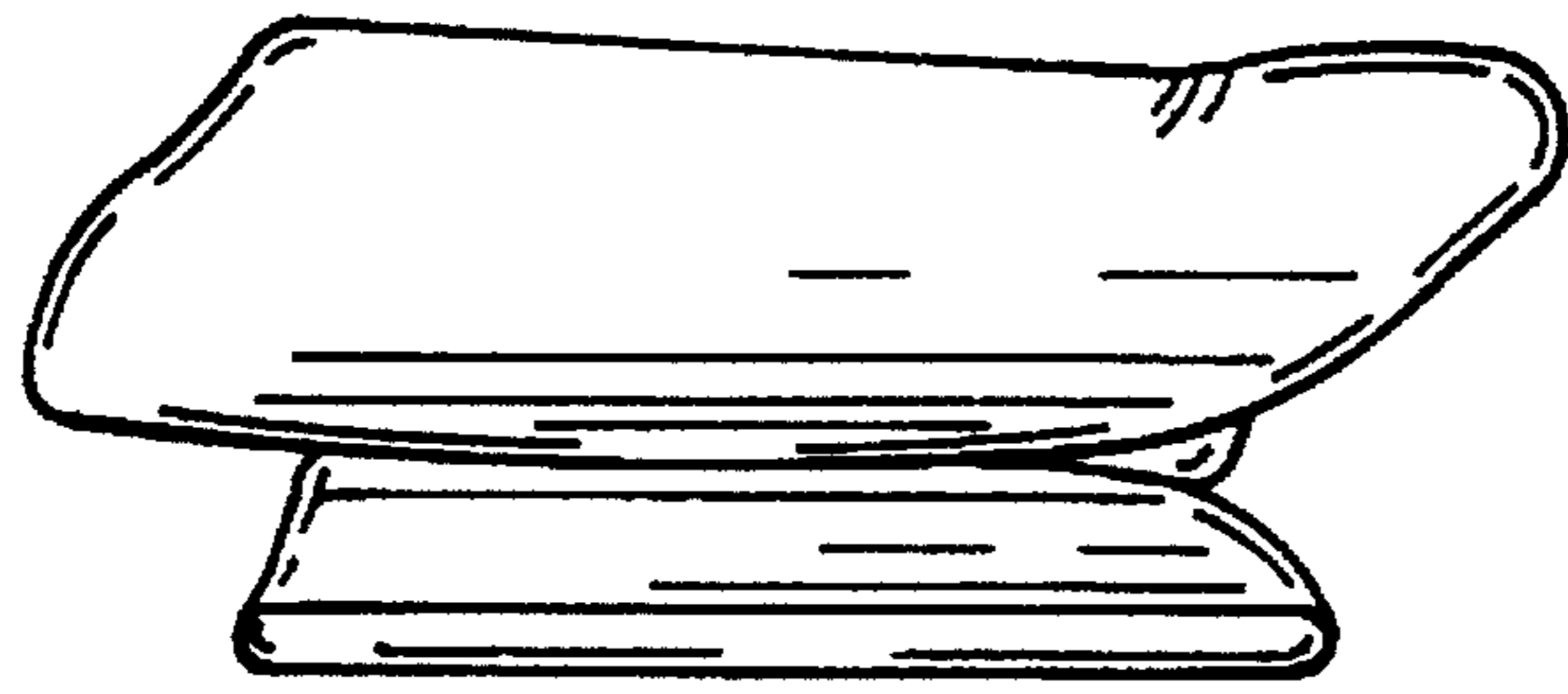


FIG. 7