



US00D376340S

United States Patent [19]

[11] Patent Number: **Des. 376,340**

Davidson et al.

[45] Date of Patent: ****Dec. 10, 1996**

[54] **MOTORCYCLE BRAKE CYLINDER**

Eagle Iron 1988 Parts and Accessories Catalog, p. 20.

[75] Inventors: **William G. Davidson**, Delafield; **Louis Netz**, Grafton, both of Wis.

Primary Examiner—A. Hugo Word
Assistant Examiner—Melody N. Brown
Attorney, Agent, or Firm—Michael, Best & Friedrich

[73] Assignee: **Harley-Davidson Motor Company**, Milwaukee, Wis.

[**] Term: **14 Years**

[57] **CLAIM**

[21] Appl. No.: **42,007**

The ornamental design for a motorcycle brake cylinder, as shown and described.

[22] Filed: **Jul. 28, 1995**

DESCRIPTION

[52] U.S. Cl. **D12/180**; D12/179

[58] Field of Search D12/179, 180, D12/114; 74/551.8, 551.9, 489, 502.2, 523; 188/24.11, 25.15, 24.18

FIG. 1 is a perspective view illustrating the environment for a motorcycle brake cylinder according to our invention;

FIG. 2 is a top view thereof;

FIG. 3 is a left side view thereof;

FIG. 4 is a right side view thereof;

FIG. 5 is a bottom view thereof;

FIG. 6 is a front view thereof; and,

FIG. 7 is a rear view thereof.

Those portions of the drawings represented by broken lines are intended to illustrate the environment for the motorcycle brake cylinder according to our invention and form no part of our invention.

[56] **References Cited**

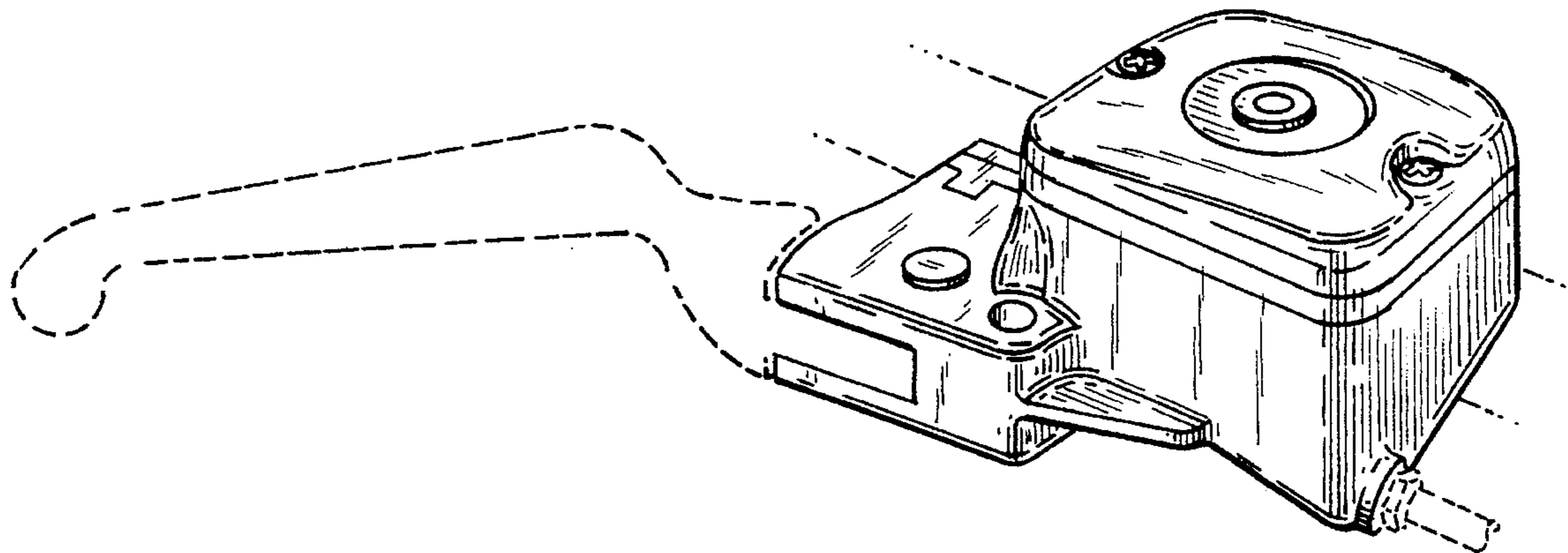
U.S. PATENT DOCUMENTS

D. 112,128	11/1938	Peo	D12/179
D. 265,816	8/1983	Matre	D12/114
D. 283,886	5/1986	Trapp	D12/179
D. 286,034	10/1986	Giorgetti	D12/179
D. 289,571	12/1987	Boyett	D12/179
D. 298,309	11/1988	Coul	D12/179
D. 327,245	6/1992	Culley	D12/179

OTHER PUBLICATIONS

Custom Chrome 1989 Catalog, pp. 262-263.
Custom Chrome 1994 Catalog, pp. 509-510.
V-Twin 1993 Catalog, pp. 188, 190-192 and 218.

1 Claim, 2 Drawing Sheets



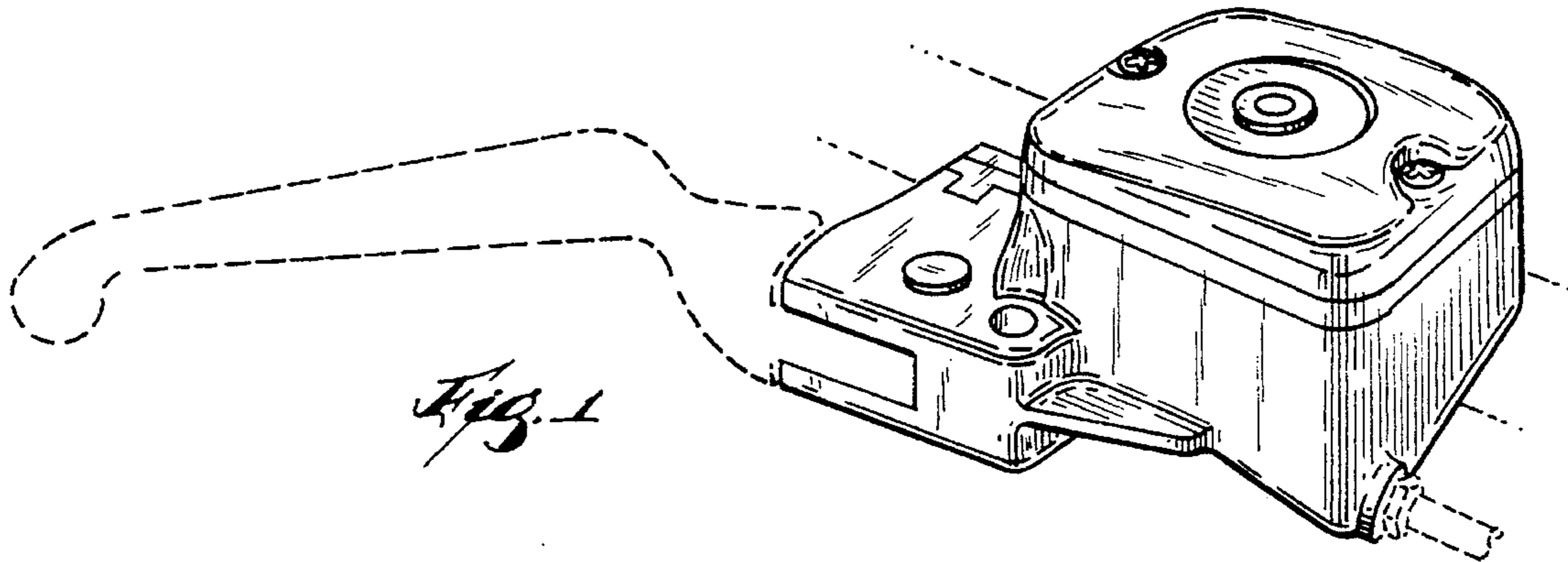


Fig. 1

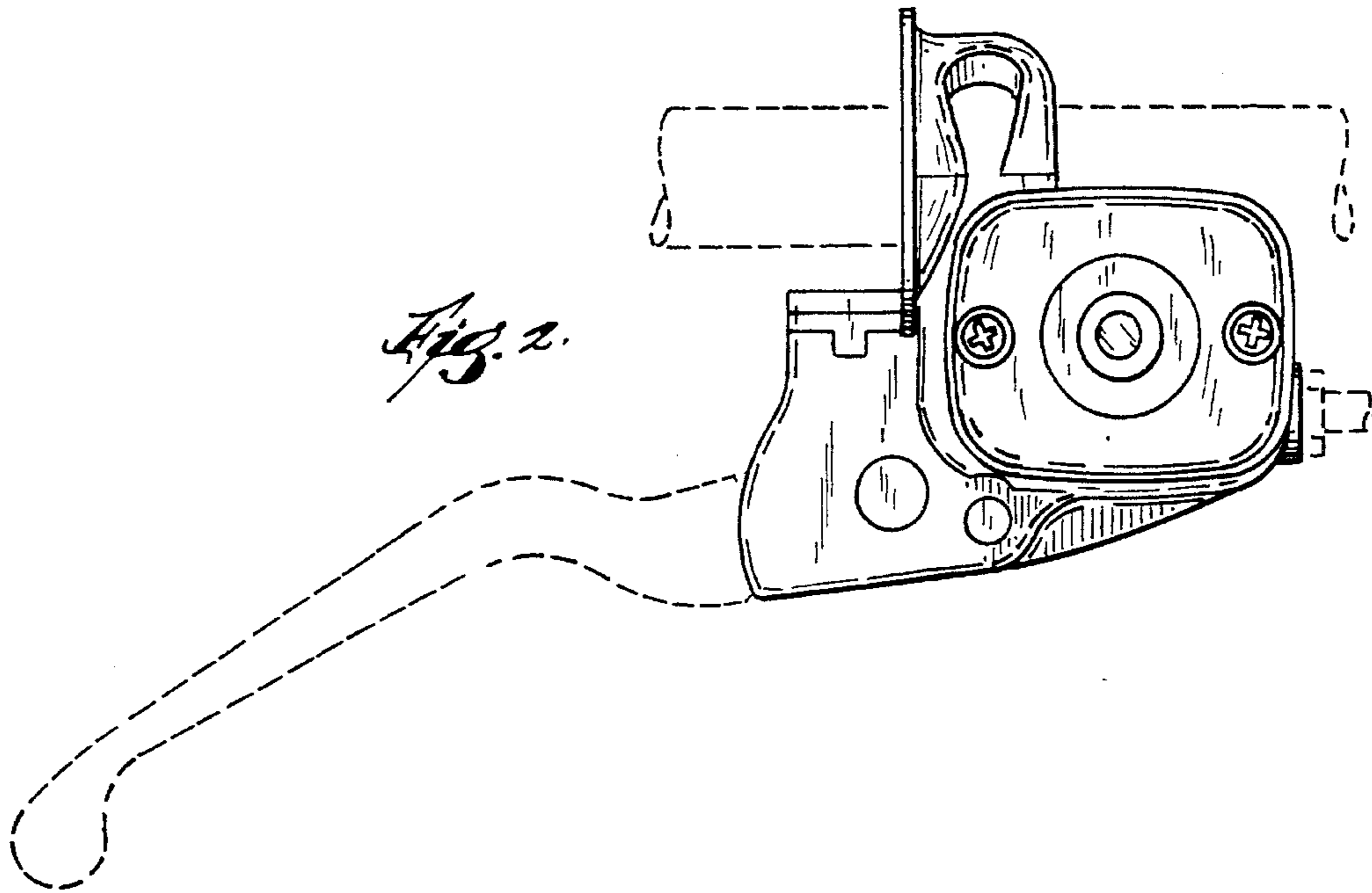


Fig. 2.

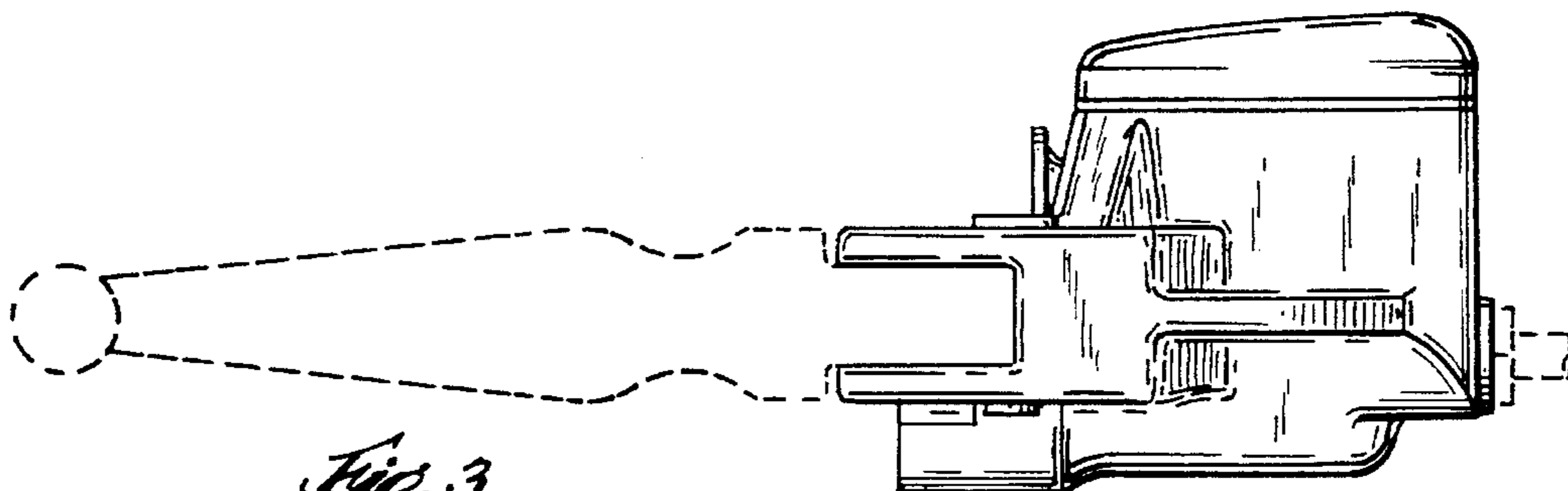


Fig. 3

