



US00D376339S

United States Patent [19]

Arakelian

[11] Patent Number: **Des. 376,339**

[45] Date of Patent: ****Dec. 10, 1996**

[54] **TOWING BRACKET PROTECTOR**

[75] Inventor: **Dikran Arakelian**, Baulkham Hills, Australia

[73] Assignee: **Ark Engineering Pty Ltd.**, Australia

[**] Term: **14 Years**

[21] Appl. No.: **35,215**

[22] Filed: **Feb. 22, 1995**

[30] **Foreign Application Priority Data**

Aug. 22, 1994 [AU] Australia 2684/94

[52] **U.S. Cl.** **D12/162**

[58] **Field of Search** D12/162, 223; 280/506, 507

[56] **References Cited**

U.S. PATENT DOCUMENTS

- D. 273,778 5/1984 Ruhland D12/162
- D. 331,558 12/1992 Hayes, Jr. D12/162
- D. 349,083 7/1994 Hall D12/162
- D. 362,224 9/1995 McCoy et al. D12/162

- 4,509,770 4/1985 Young et al. 280/506 X
- 4,955,968 9/1990 Beckerer, Jr. 280/507
- 5,037,122 8/1991 Beckerer, Jr. 280/507

FOREIGN PATENT DOCUMENTS

- 2257100 1/1993 United Kingdom 280/507

Primary Examiner—James M. Gandy
Assistant Examiner—Cathron B. Matta

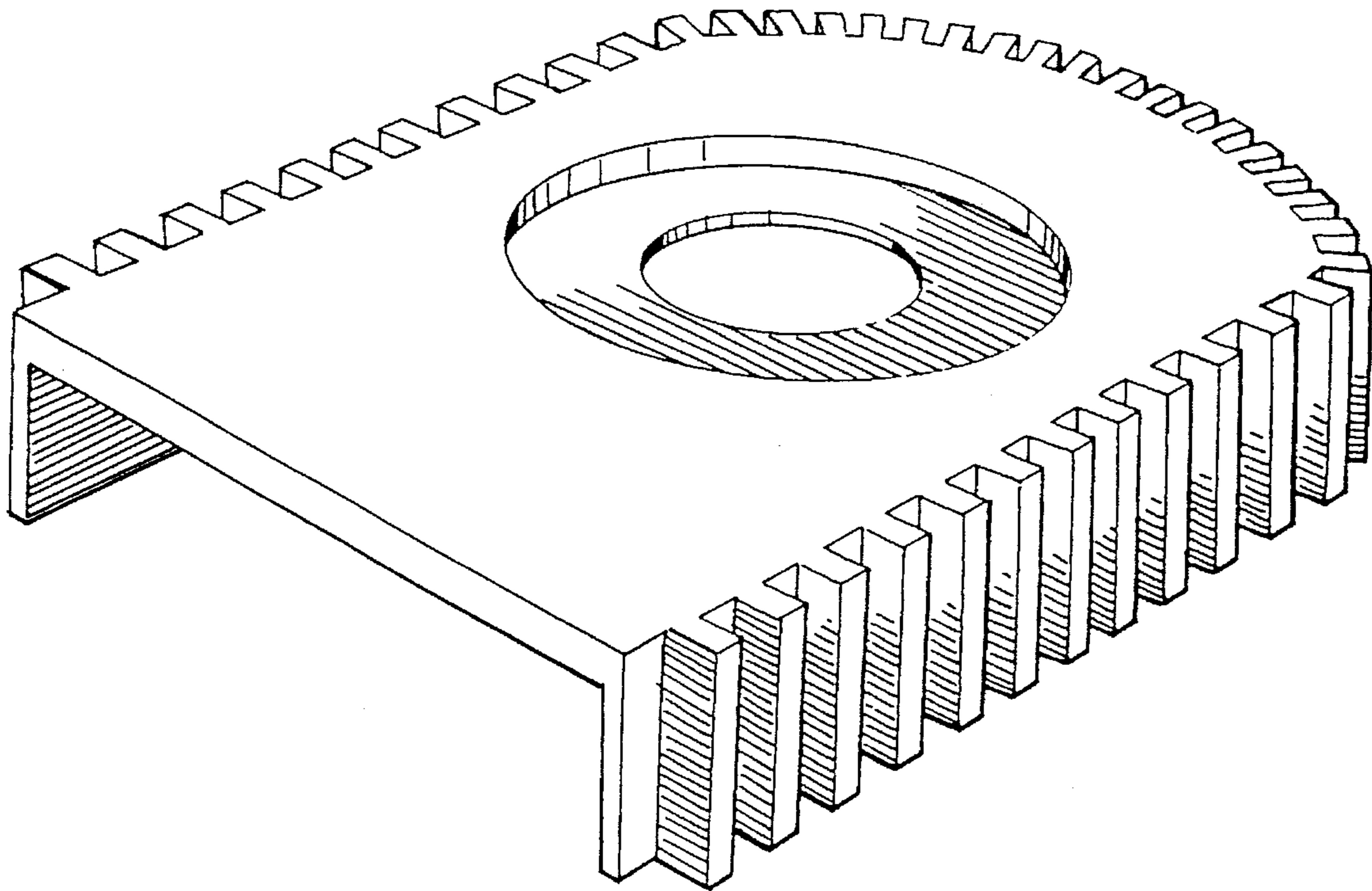
[57] **CLAIM**

The ornamental design for a towing bracket protector, as shown and described.

DESCRIPTION

FIG. 1 is a top and right-side perspective view of a towing bracket protector showing my new design;
 FIG. 2 is a top plan view thereof;
 FIG. 3 is a bottom plan view thereof;
 FIG. 4 is a front elevational view thereof;
 FIG. 5 is a rear elevational view thereof; and,
 FIG. 6 is a right-side elevational view thereof, the left-side being a mirror image.

1 Claim, 2 Drawing Sheets



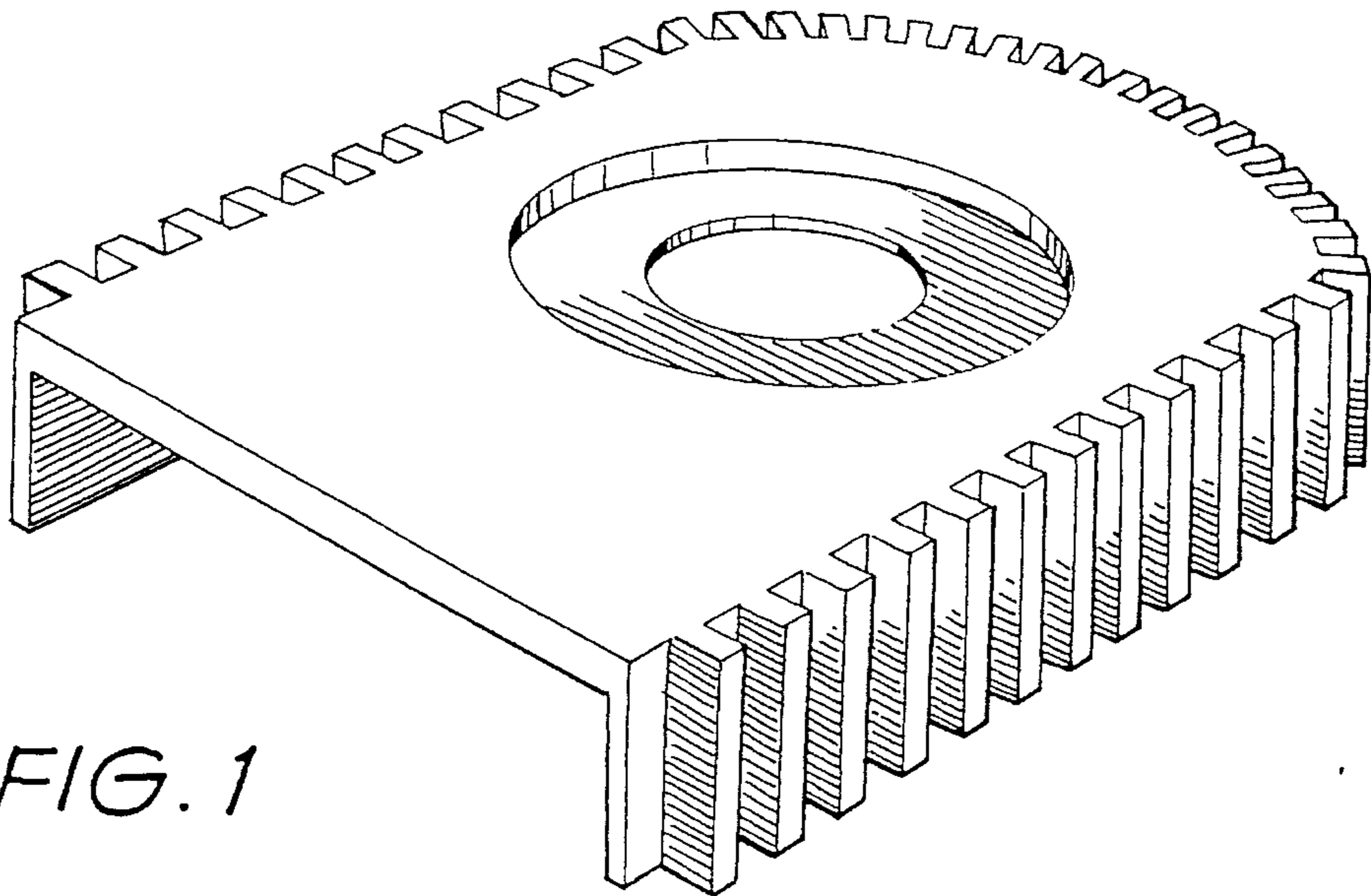


FIG. 1

FIG. 2

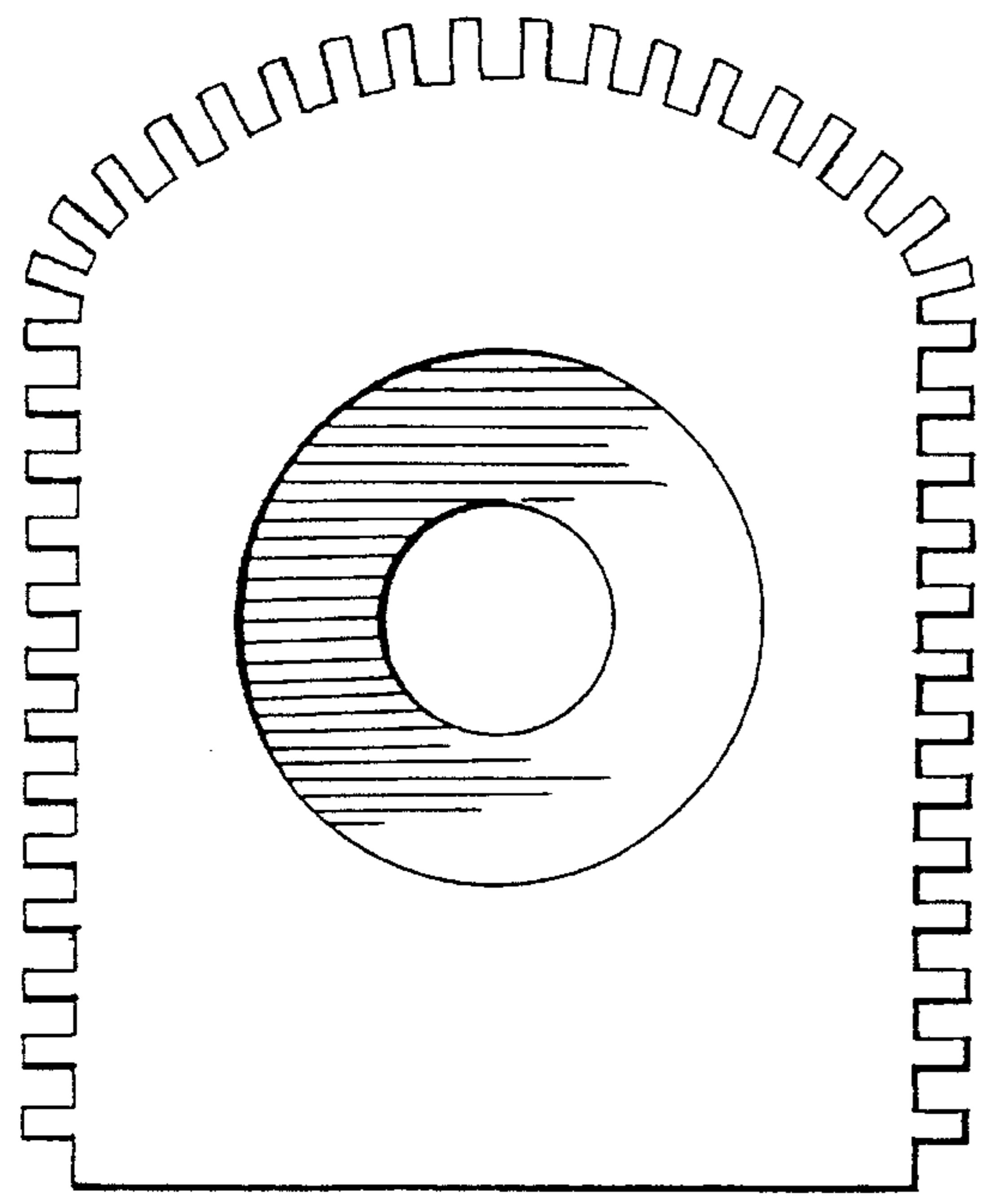
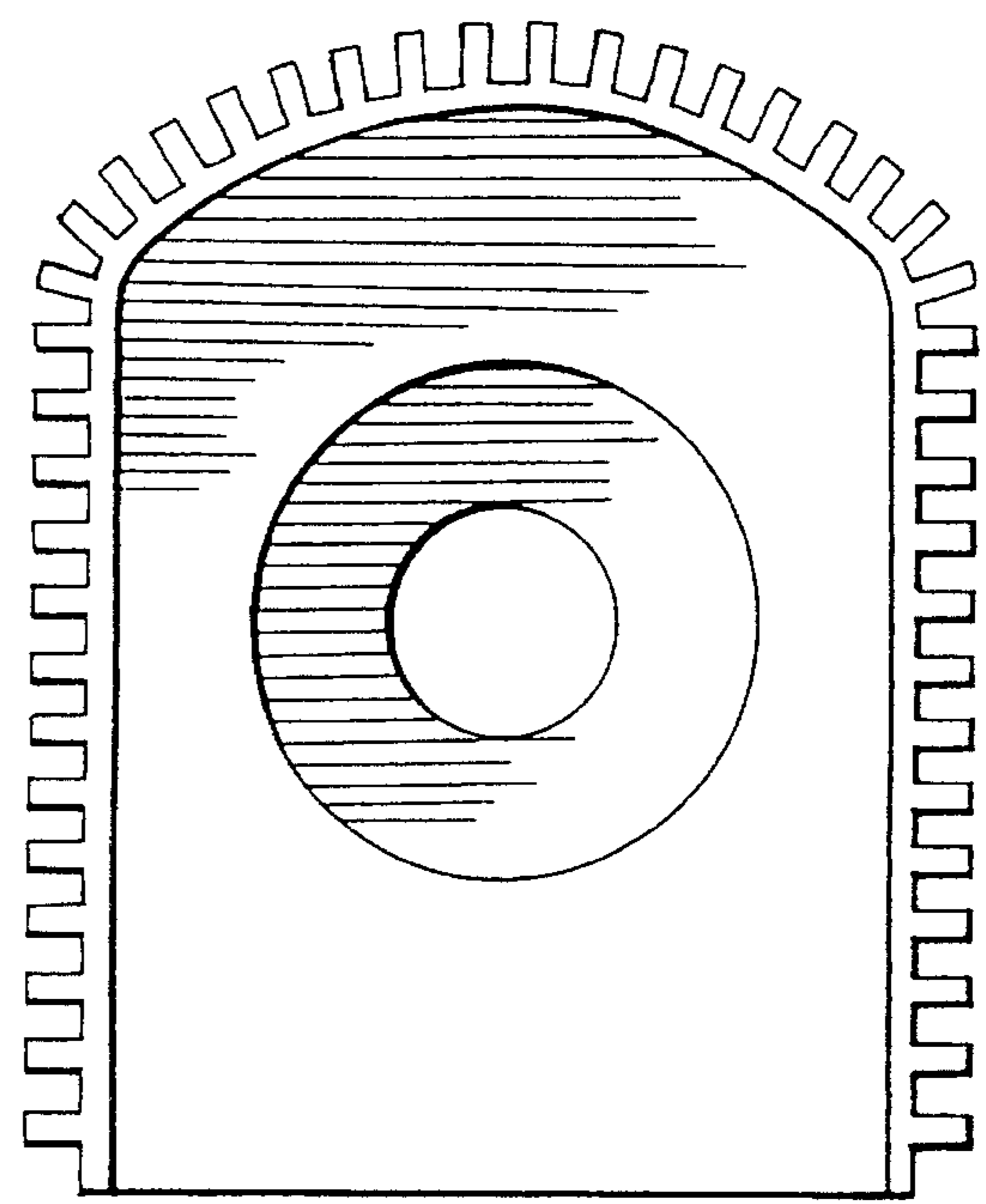


FIG. 3



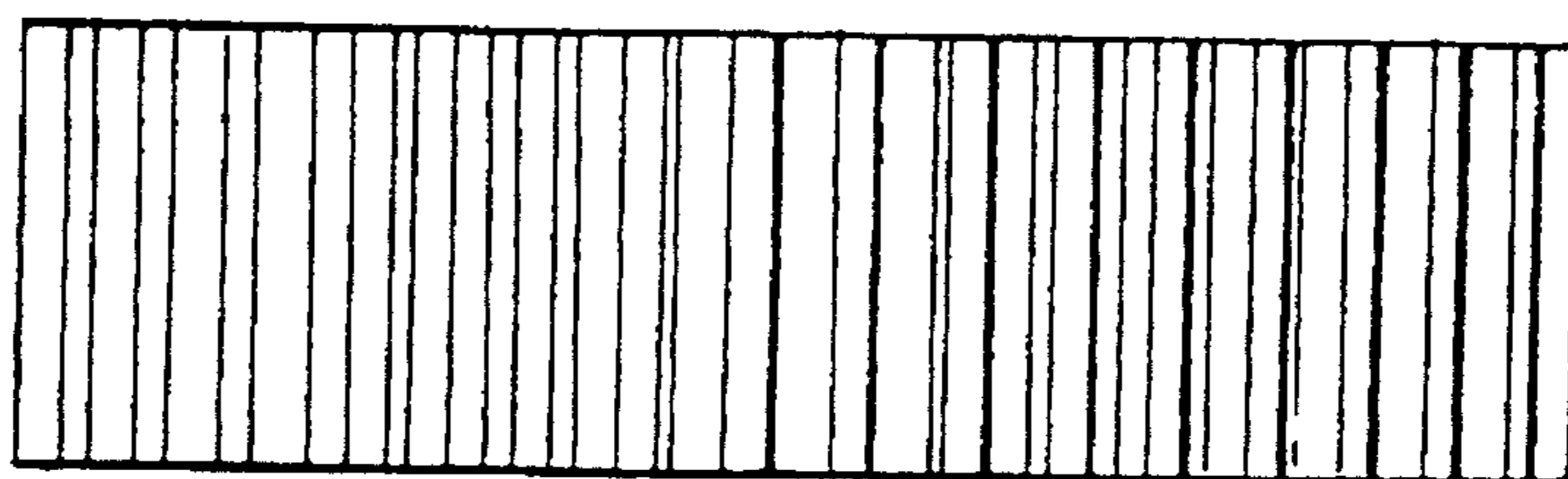


FIG. 4

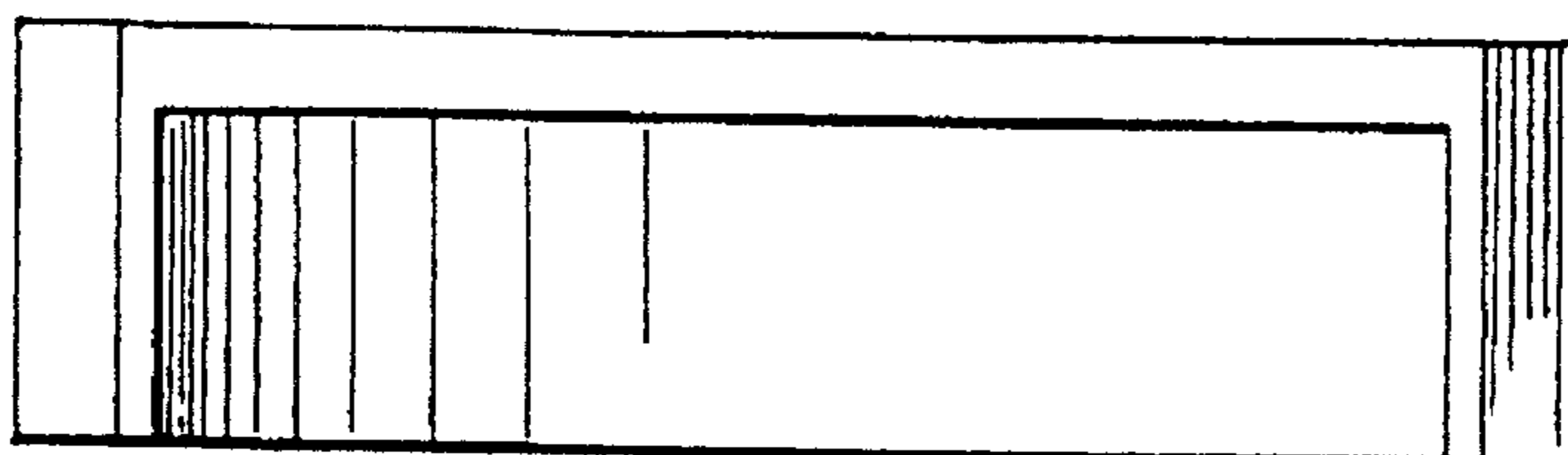


FIG. 5

FIG. 6

