



US00D376336S

United States Patent [19]

[11] Patent Number: **Des. 376,336**

Unruh

[45] Date of Patent: ****Dec. 10, 1996**

[54] **TRAILER TILTER**

5,411,284 5/1995 Harbin 280/656

[76] Inventor: **Stephen N. Unruh**, 1061 Kenneth St., Eagan, Minn. 55121

Primary Examiner—Melody N. Brown
Attorney, Agent, or Firm—Joel D. Skinner, Jr.

[**] Term: **14 Years**

[57] **CLAIM**

[21] Appl. No.: **46,518**

The ornamental design for a trailer tilter, as shown and described.

[22] Filed: **Nov. 17, 1995**

DESCRIPTION

[52] U.S. Cl. **D12/106**; D12/101

[58] Field of Search D12/106, 101, D12/104, 162; 280/477, 656, 789, 400; 298/5 MR; 414/477, 482-484, 385

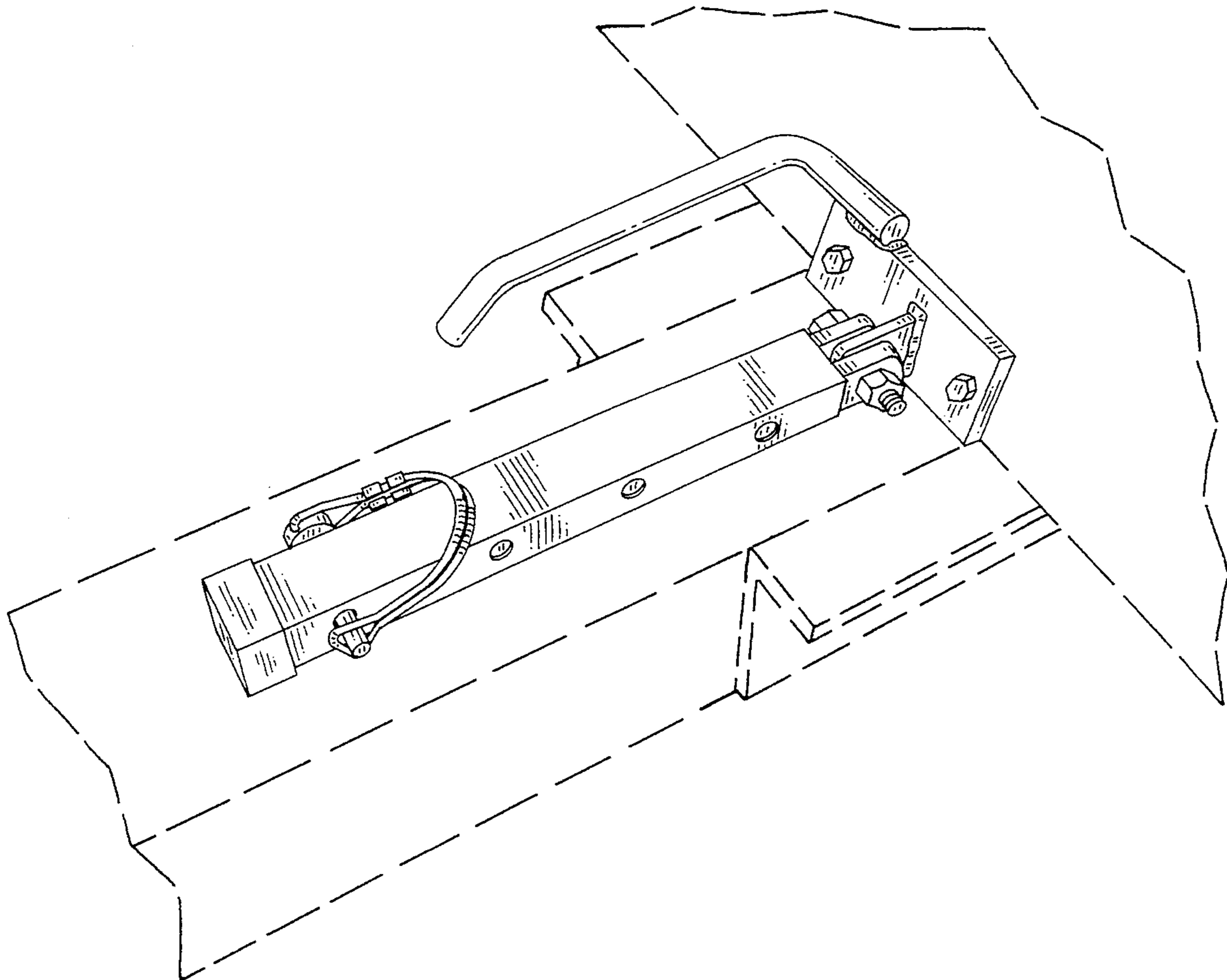
FIG. 1 is a perspective view of a trailer tilter showing the new design. The trailer tilter is shown unactuated in its use environment; said use environment being shown in phantom and forming no part of the invention; FIG. 2 is a perspective view of the trailer tilter actuated and unextended; FIG. 3 is a perspective view of the trailer tilter actuated and extended; FIG. 4 is a front view of the trailer tilter; FIG. 5 is a back view of the trailer tilter; FIG. 6 is a right side view of the trailer tilter; FIG. 7 is a left side view of the trailer tilter; FIG. 8 is a top view of the trailer tilter; and, FIG. 9 is a bottom view of the trailer tilter.

[56] **References Cited**

U.S. PATENT DOCUMENTS

D. 288,795	3/1987	Toppero, Jr.	D12/106
D. 340,790	10/1993	Goodrich et al.	D12/106
3,784,160	1/1974	Phillips	D12/108
3,807,593	4/1974	Bourton	298/5
3,833,263	9/1974	Jackson	298/5
4,813,841	3/1989	Eischen	298/12
4,872,728	10/1989	Adams	298/17 R
4,930,799	6/1990	Pihlström et al.	280/400
5,080,548	1/1992	Bratlie et al.	414/385

1 Claim, 9 Drawing Sheets



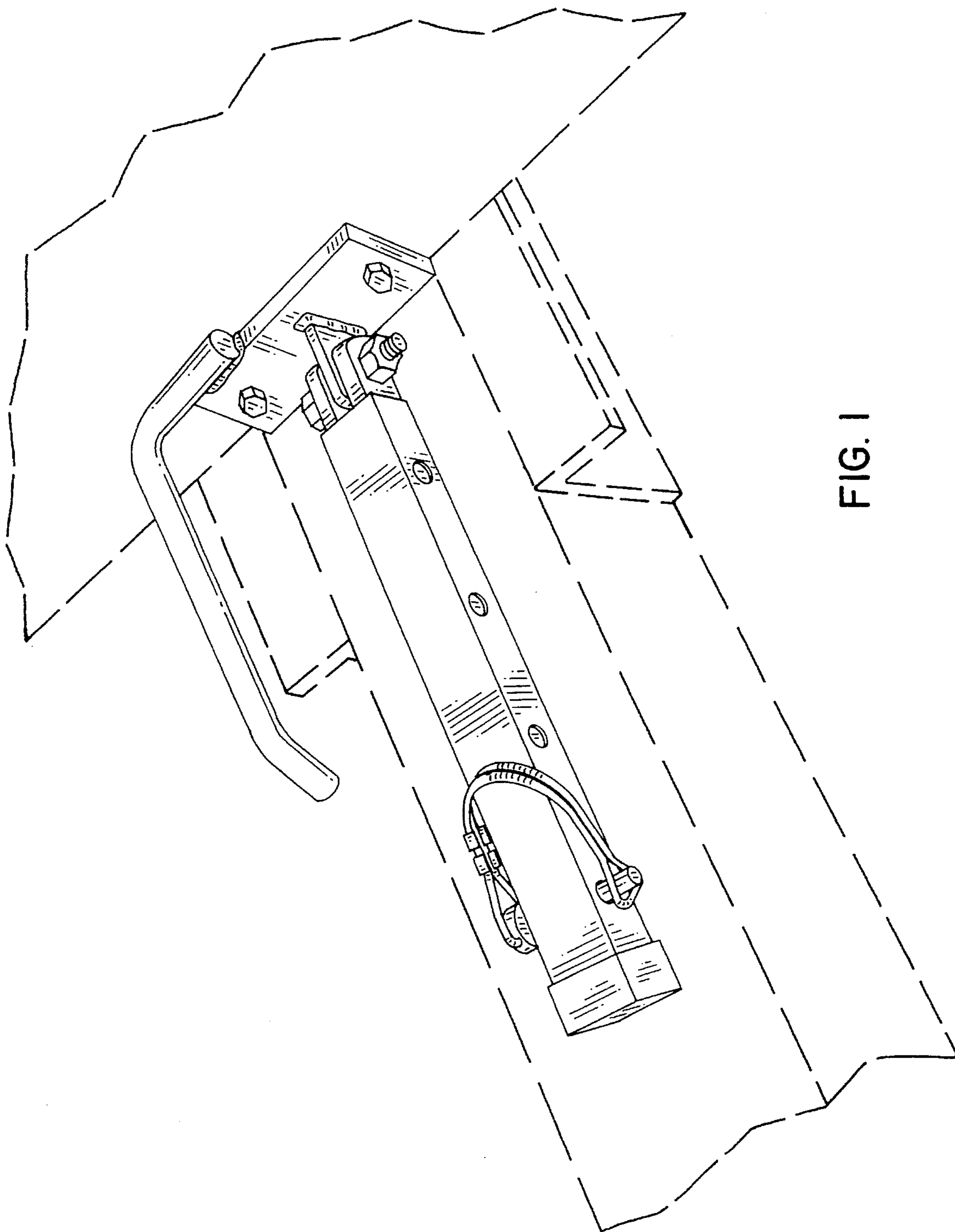


FIG. 1

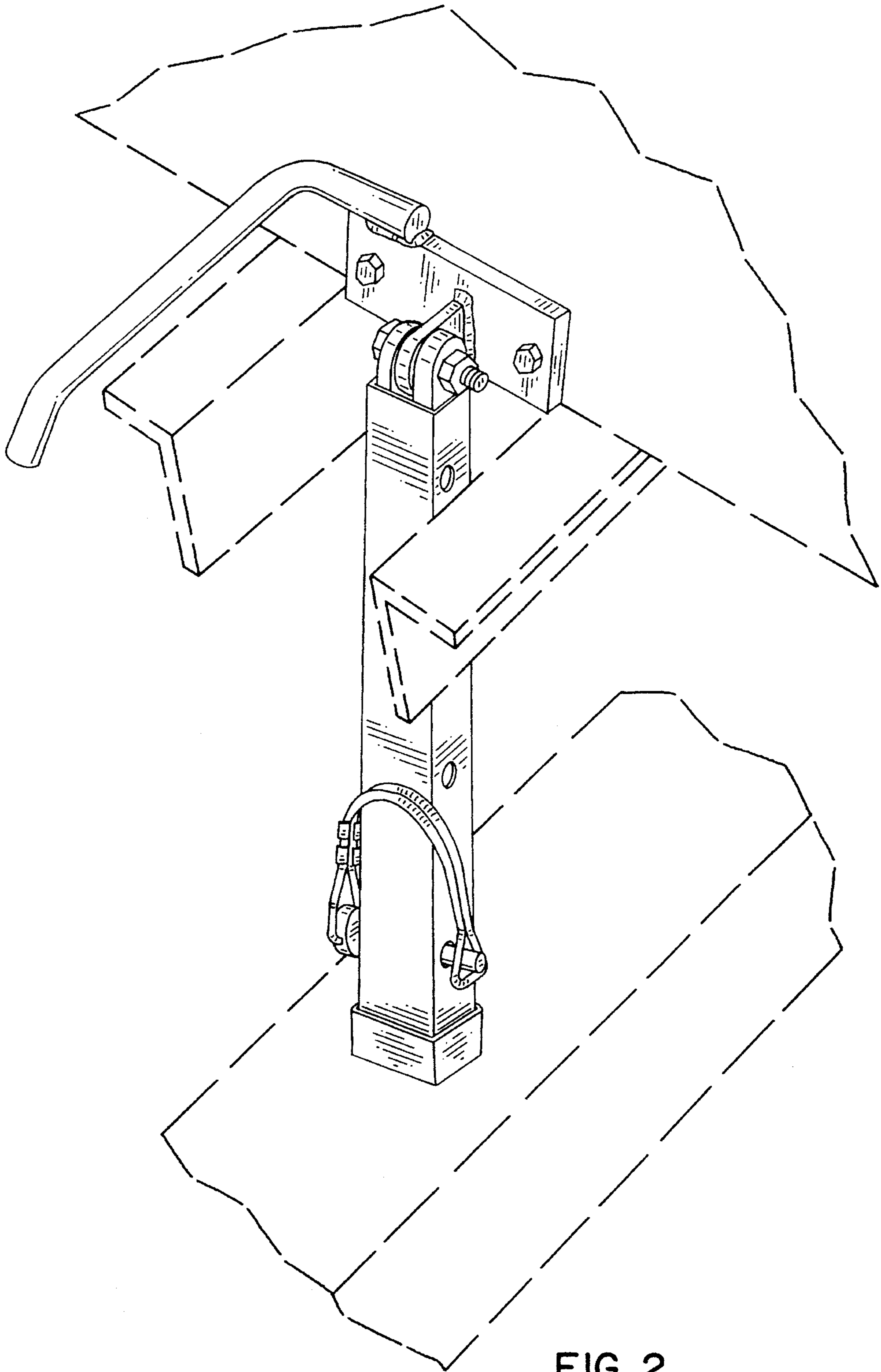


FIG. 2

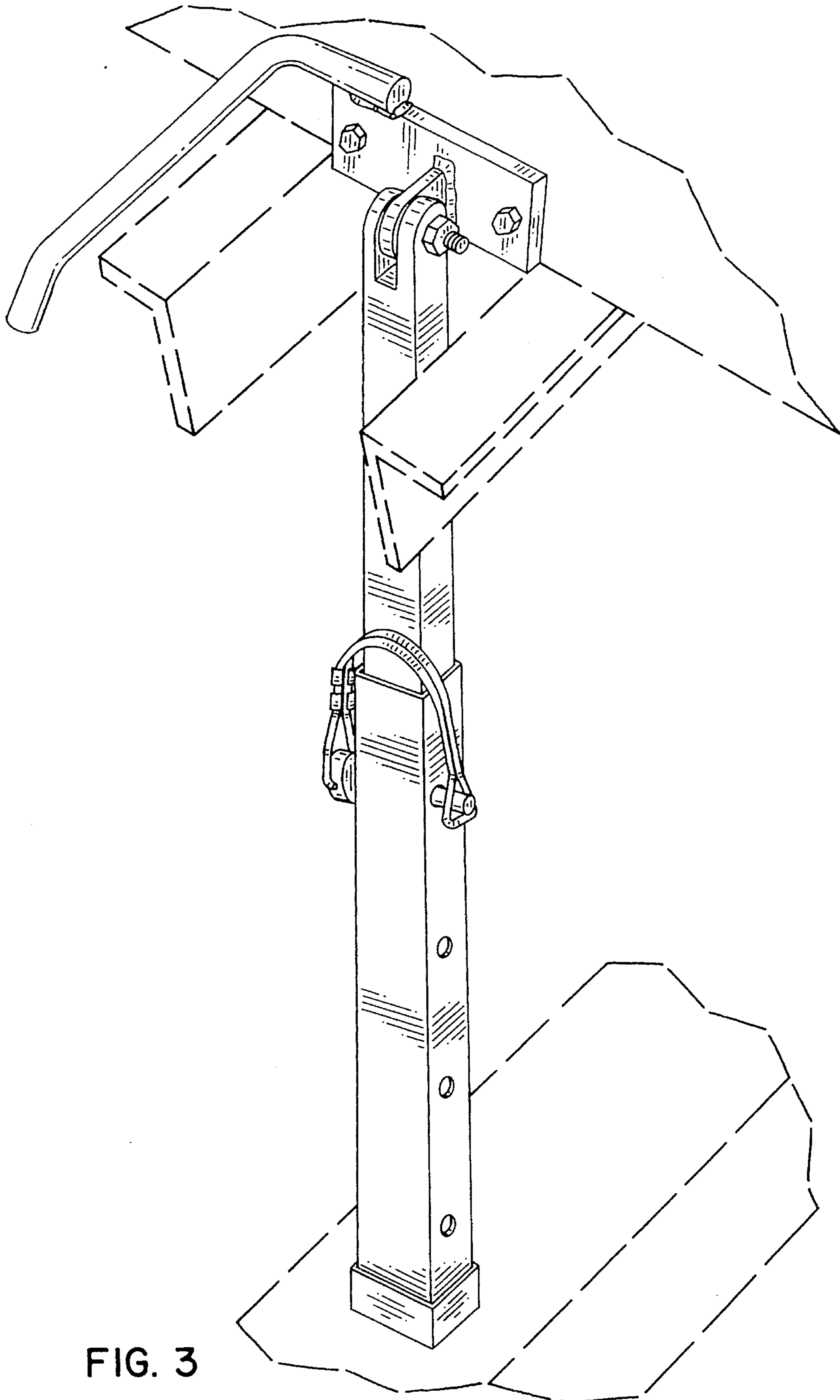


FIG. 3

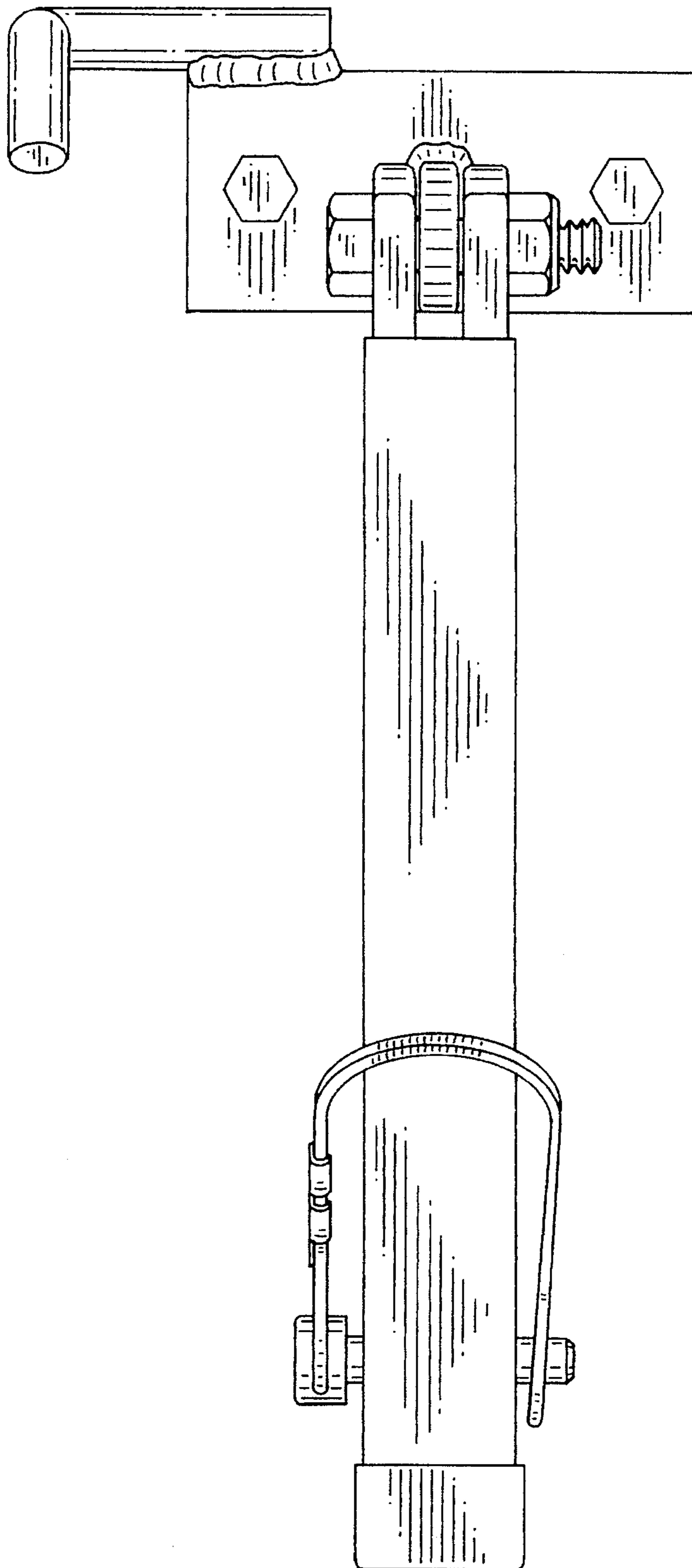


FIG. 4

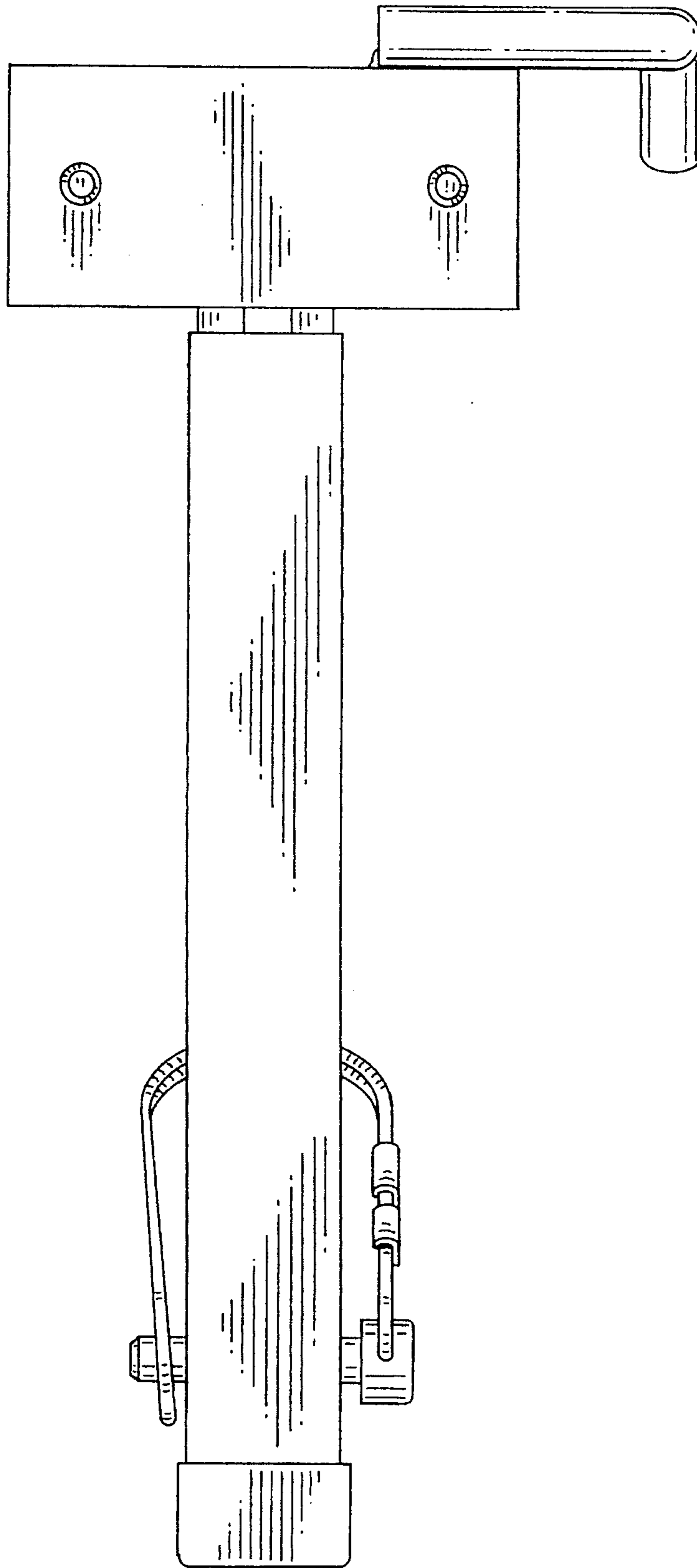


FIG. 5

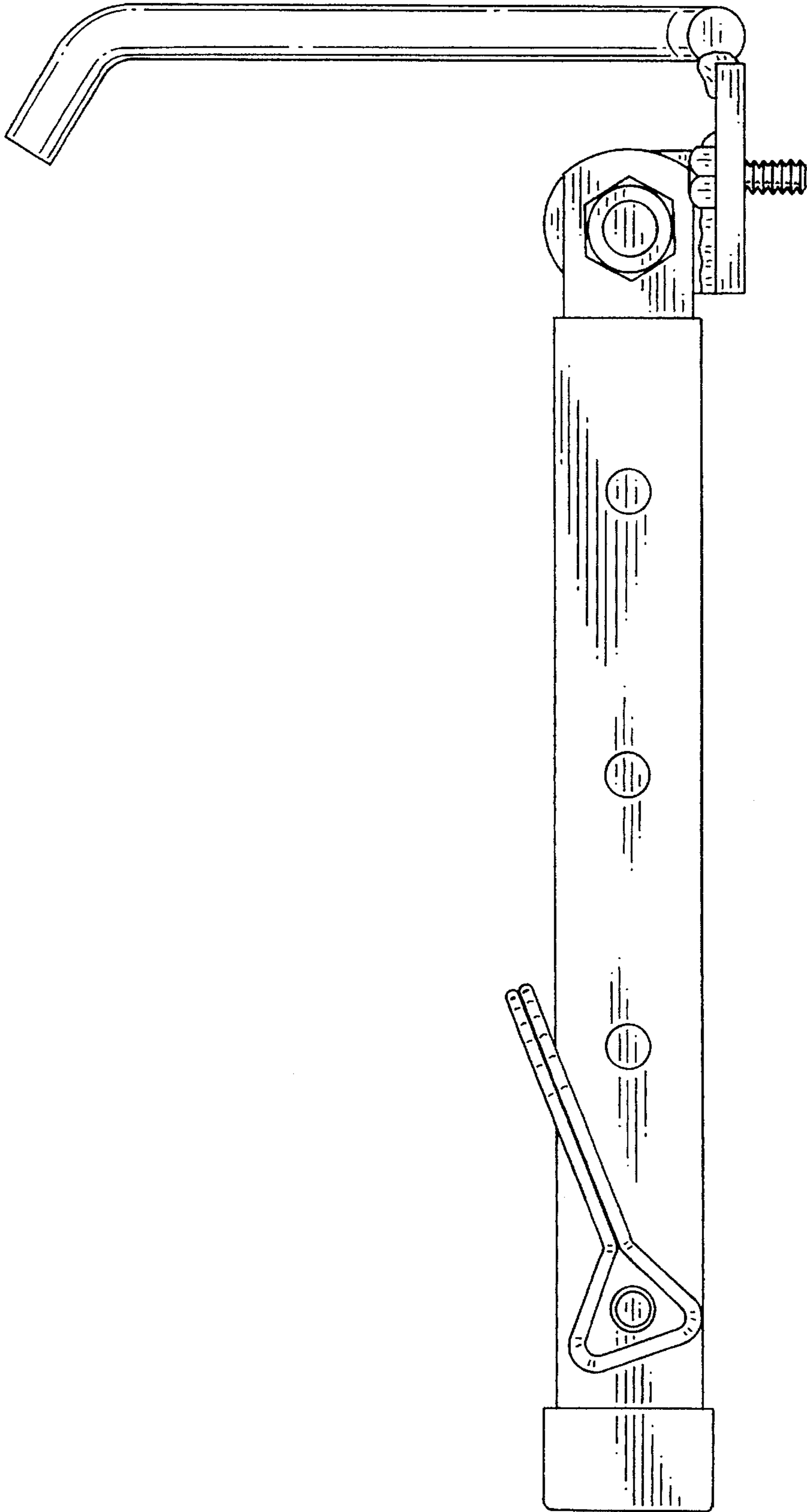


FIG. 6

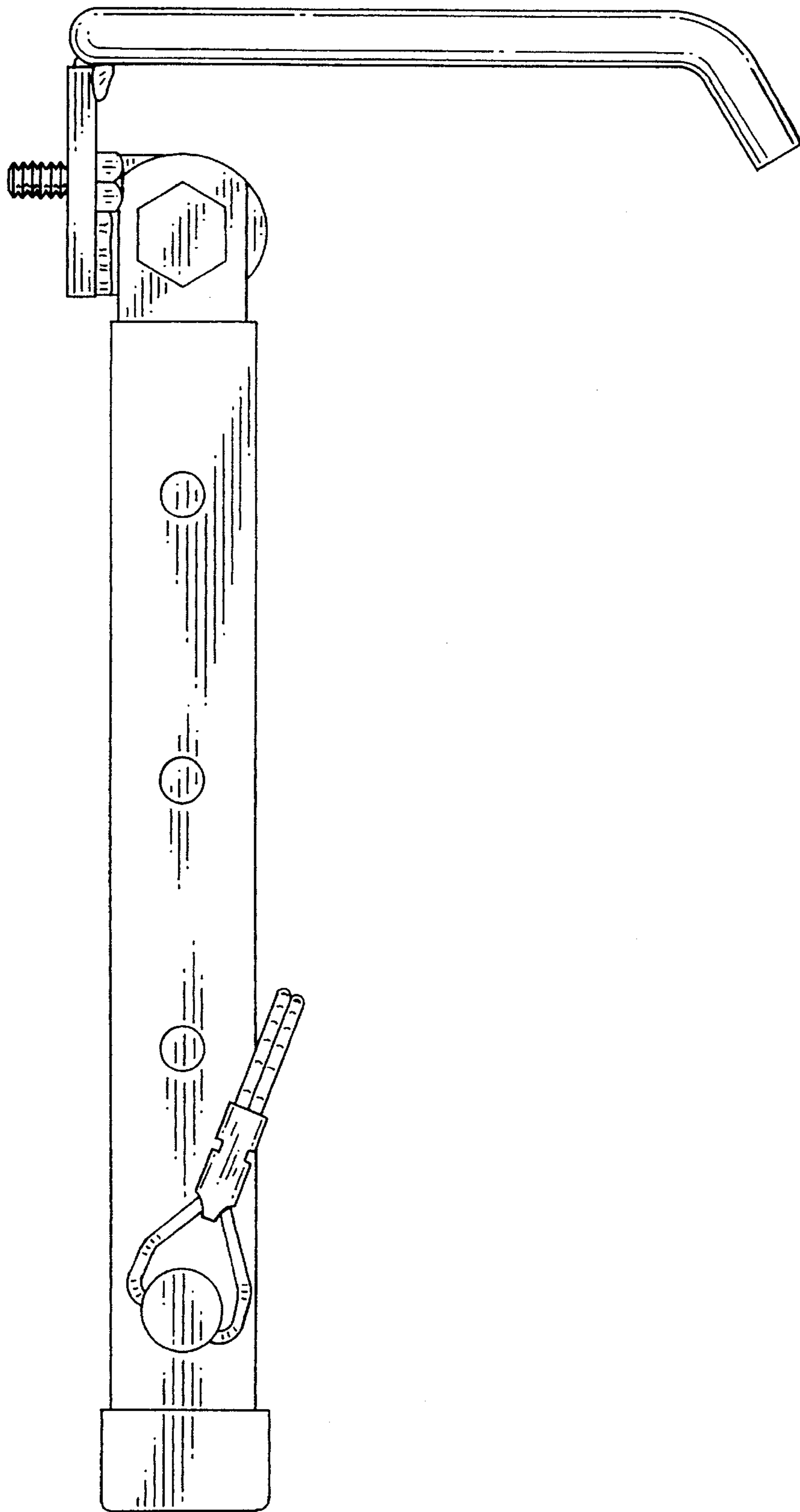


FIG. 7

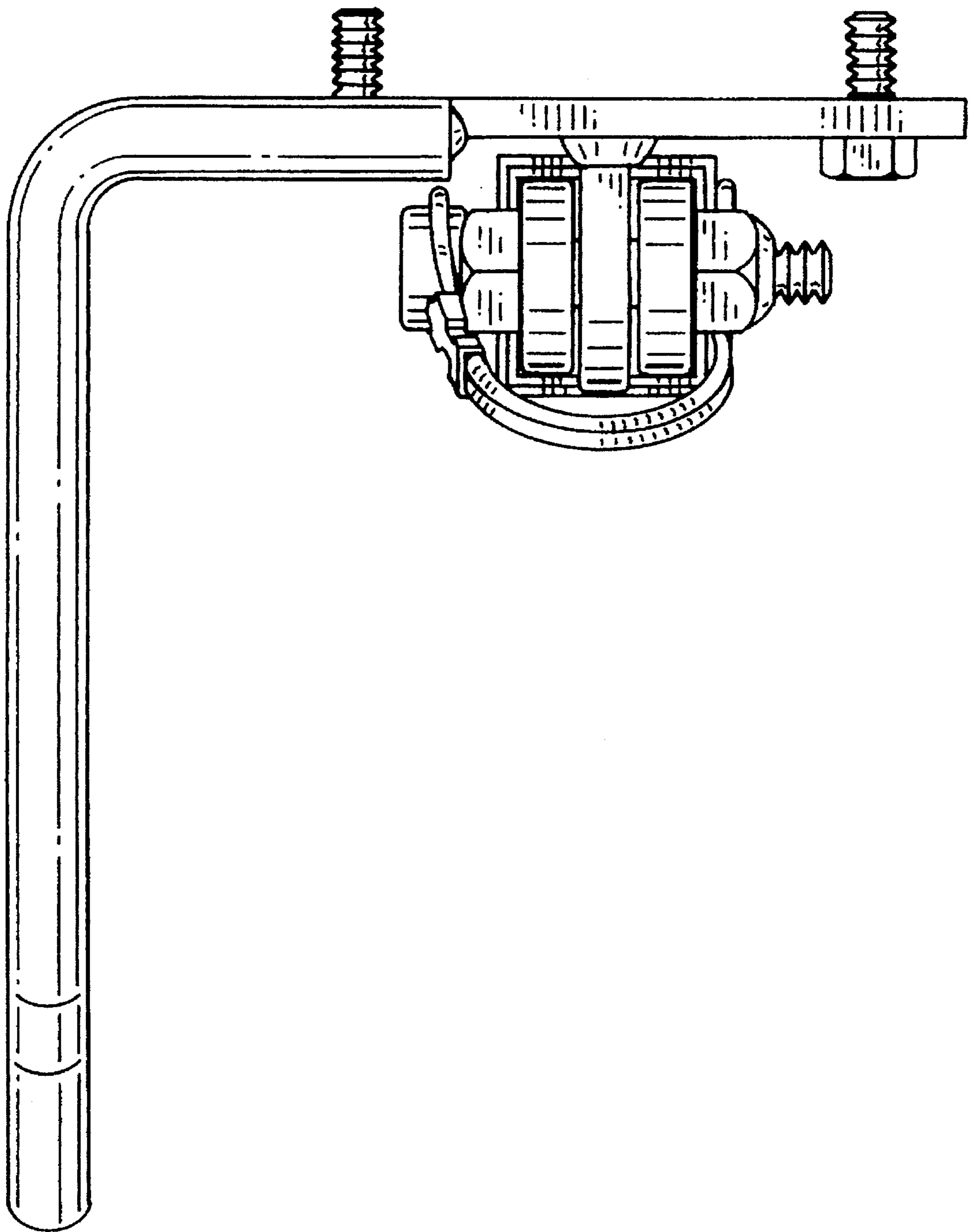


FIG. 8

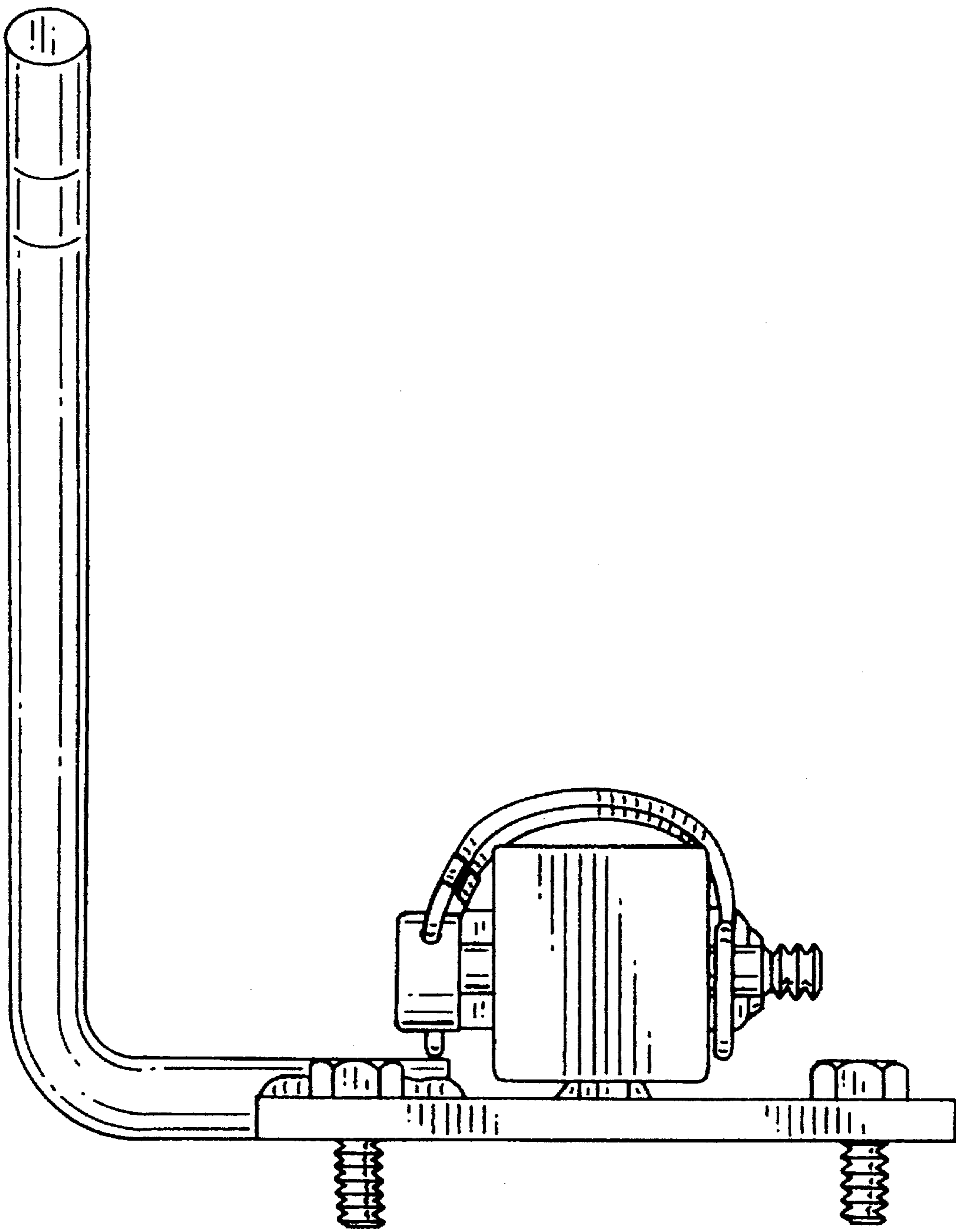


FIG. 9