



US00D376332S

# United States Patent [19]

Fercano

[11] Patent Number: **Des. 376,332**

[45] Date of Patent: **\*\*Dec. 10, 1996**

[54] **ELECTRONIC SAFETY FLASHER**

[76] Inventor: **Robert M. Fercano**, 14700 Clymer St.,  
Mission Hills, Calif. 91345

[\*\*] Term: **14 Years**

[21] Appl. No.: **47,157**

[22] Filed: **Nov. 28, 1995**

[52] U.S. Cl. .... **D10/114**

[58] Field of Search ..... D10/104, 106,  
D10/109, 111, 114, 121; D26/37-50; 362/103,  
108, 157, 158, 191, 196, 197, 198, 199,  
200, 201, 202, 183, 184, 185, 186, 187,  
188, 189

[56] **References Cited**

**U.S. PATENT DOCUMENTS**

- D. 242,780 12/1976 Kelley ..... D10/114
- D. 285,911 9/1986 Yuen ..... D10/114
- D. 349,467 8/1994 Halaby ..... D10/114

- D. 352,915 11/1994 Wang ..... D10/114
- D. 354,577 1/1995 Cota et al. .... D10/114

*Primary Examiner*—Marcus A. Jackson  
*Attorney, Agent, or Firm*—Kelly, Bauersfeld & Lowry

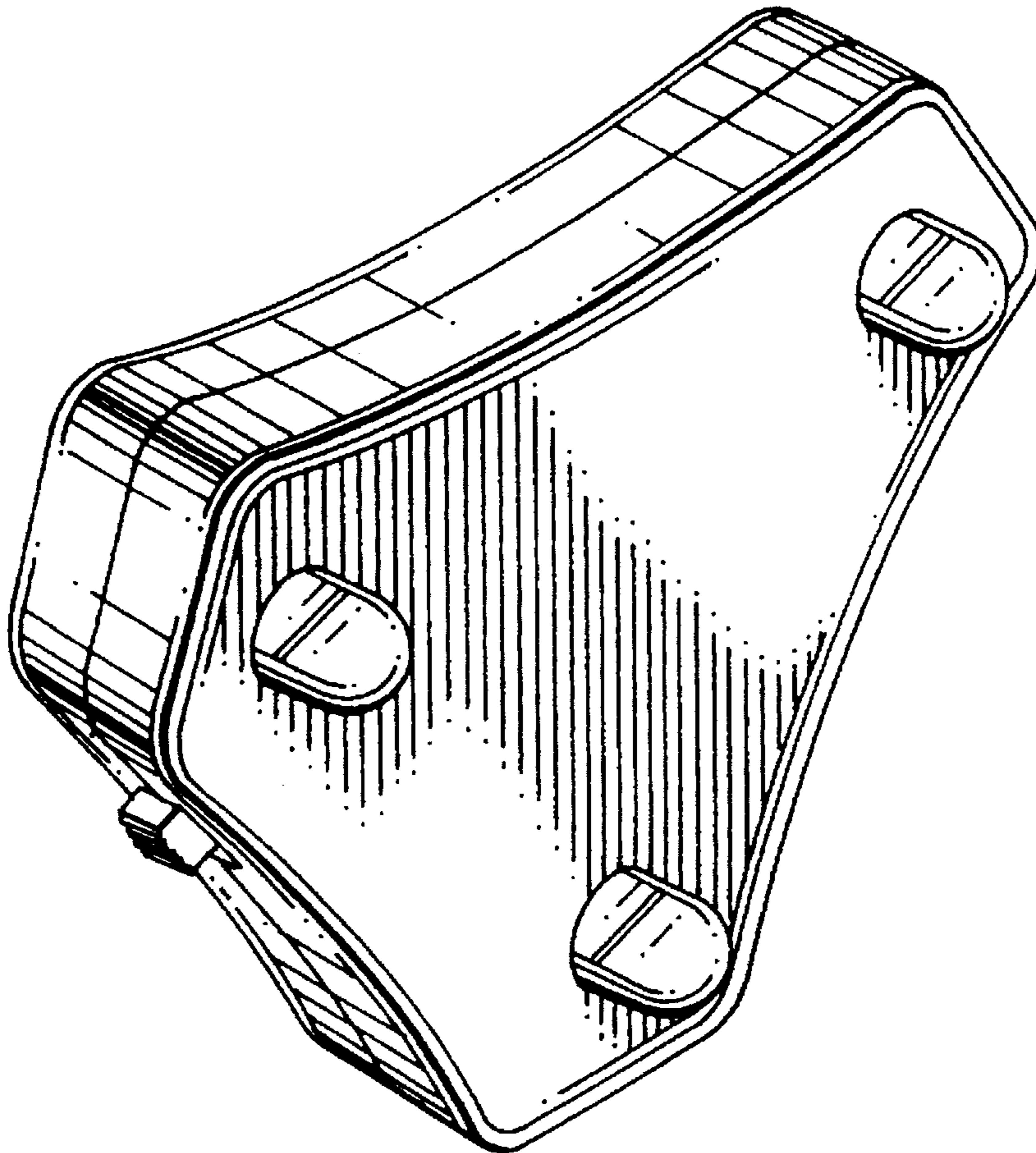
[57] **CLAIM**

The ornamental design for an electronic safety flasher, as shown.

**DESCRIPTION**

FIG. 1 is a front, top and right side perspective view of an electronic safety flasher embodying my new design; FIG. 2 is a front elevational view thereof; FIG. 3 is a rear elevational view thereof; FIG. 4 is a left side elevational view thereof; FIG. 5 is a right side elevational view thereof; FIG. 6 is a top plan view thereof; and, FIG. 7 is a bottom plan view thereof.

**1 Claim, 1 Drawing Sheet**



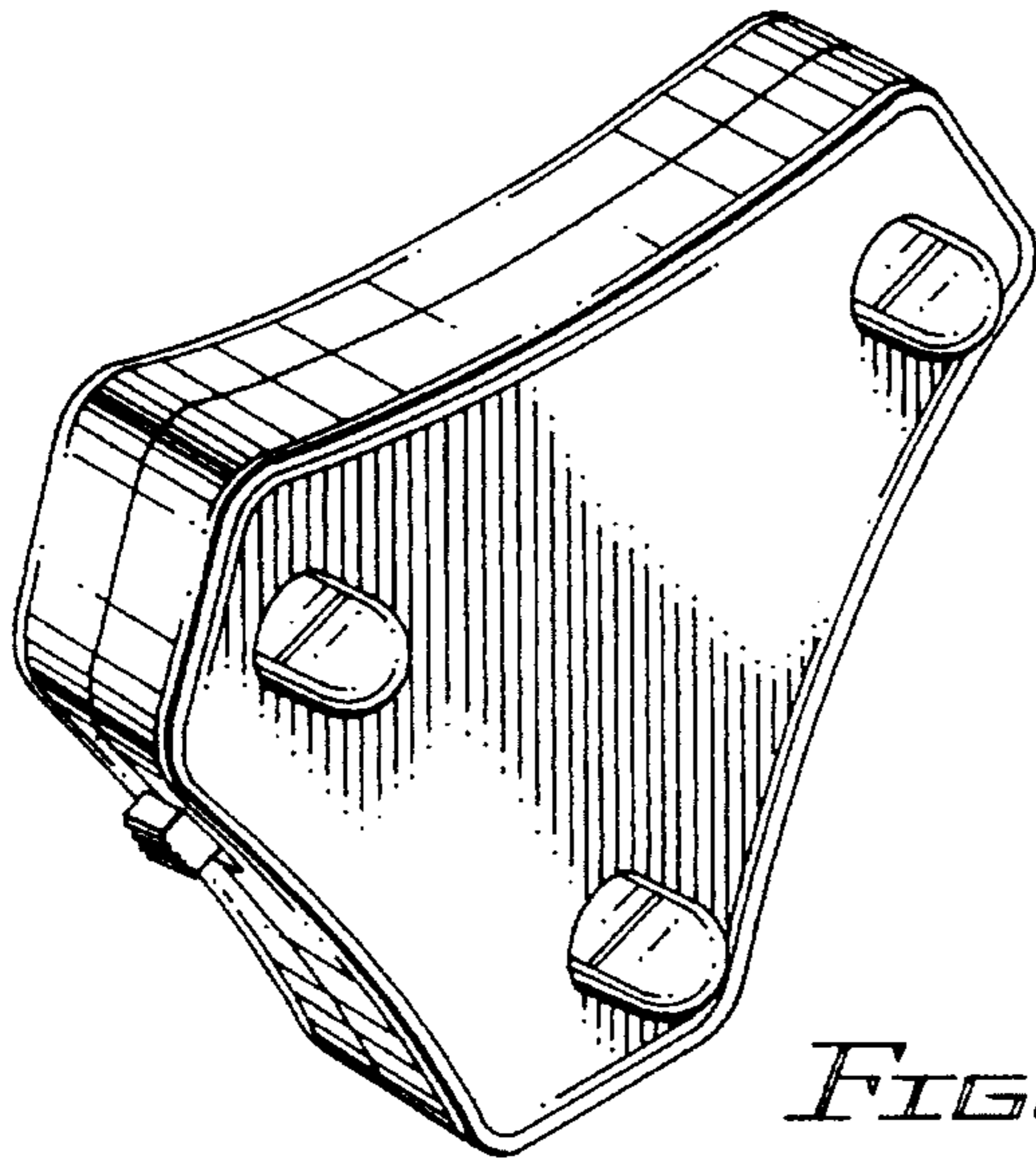


FIG. 1

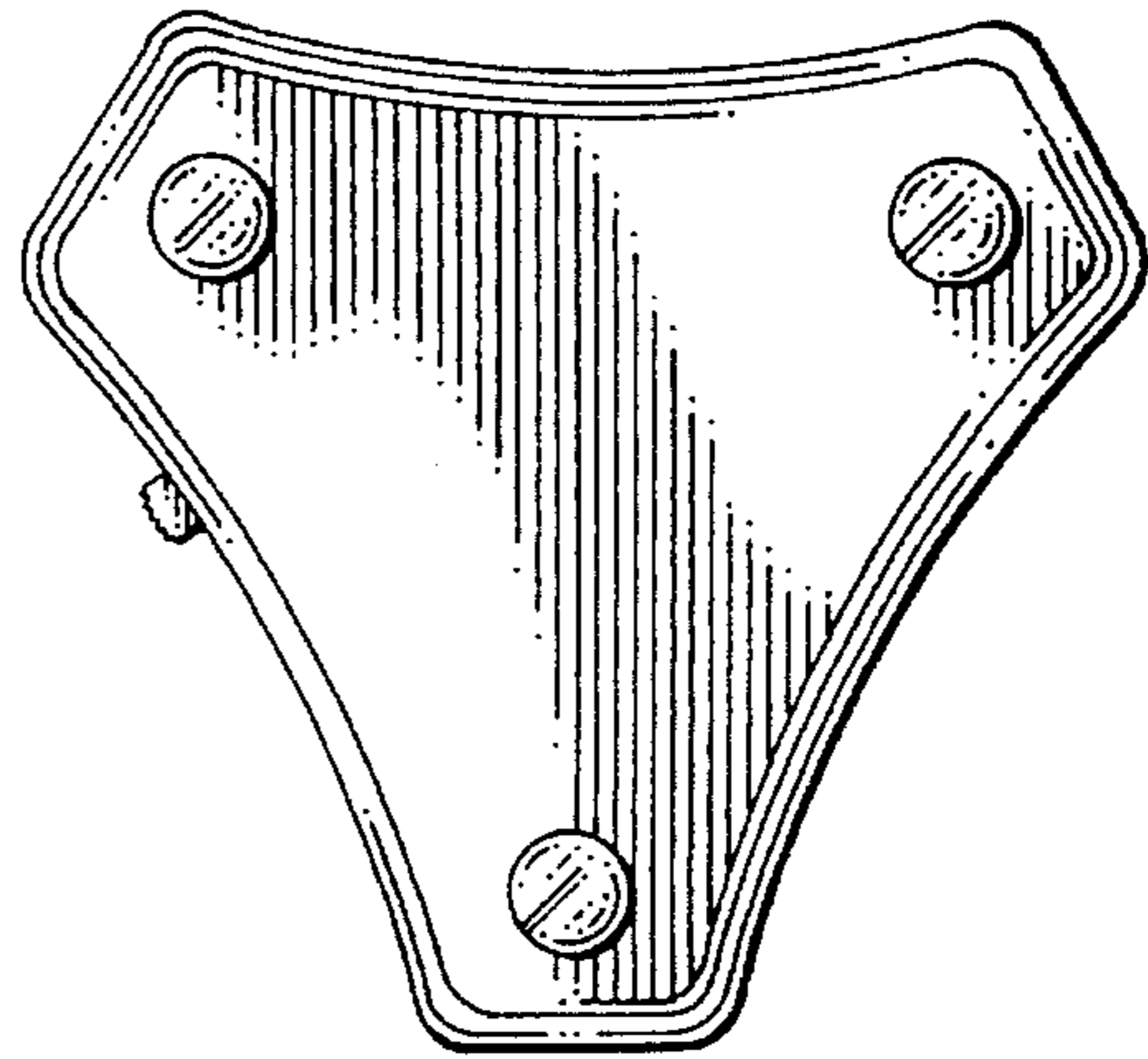


FIG. 2

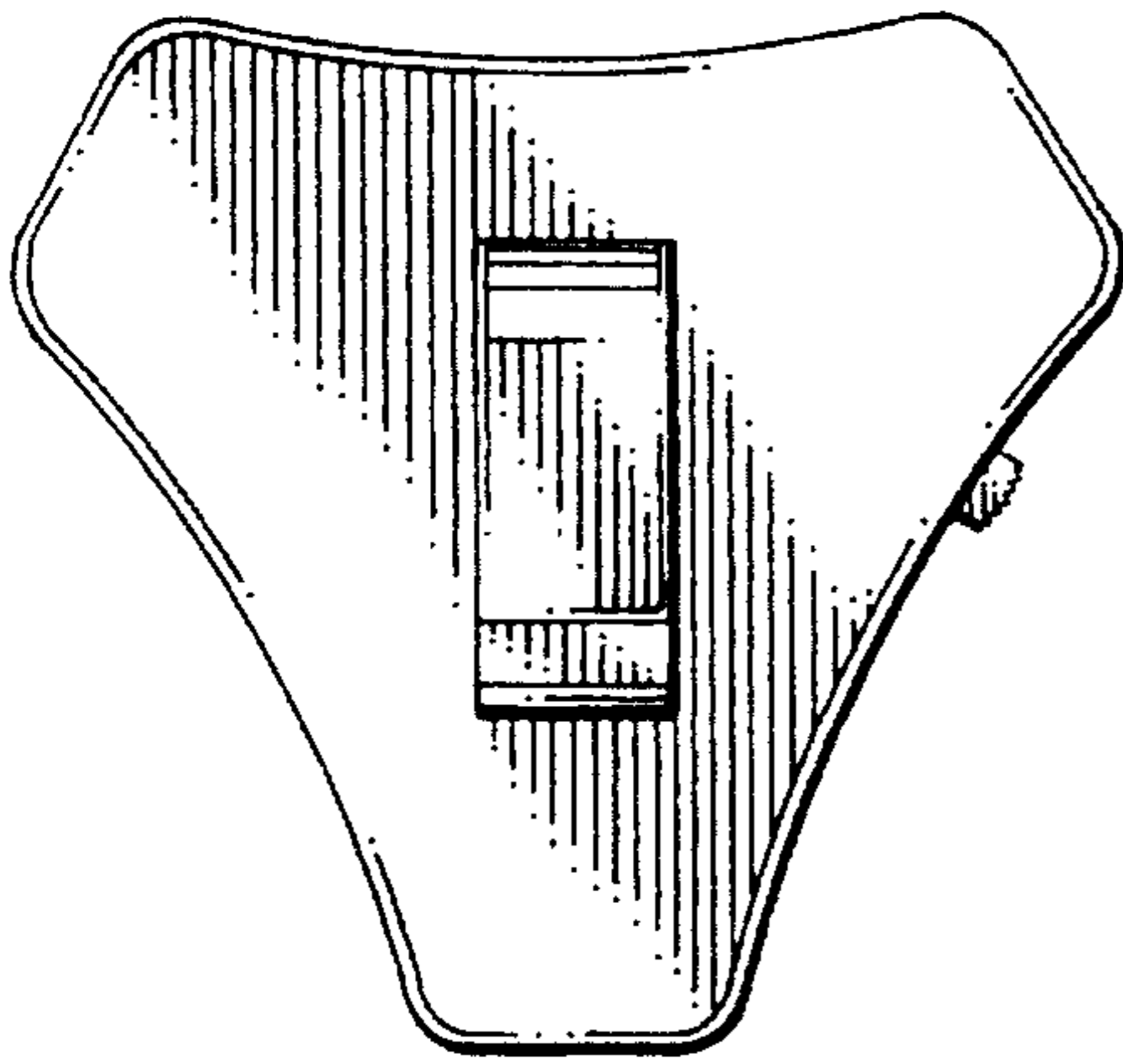


FIG. 3

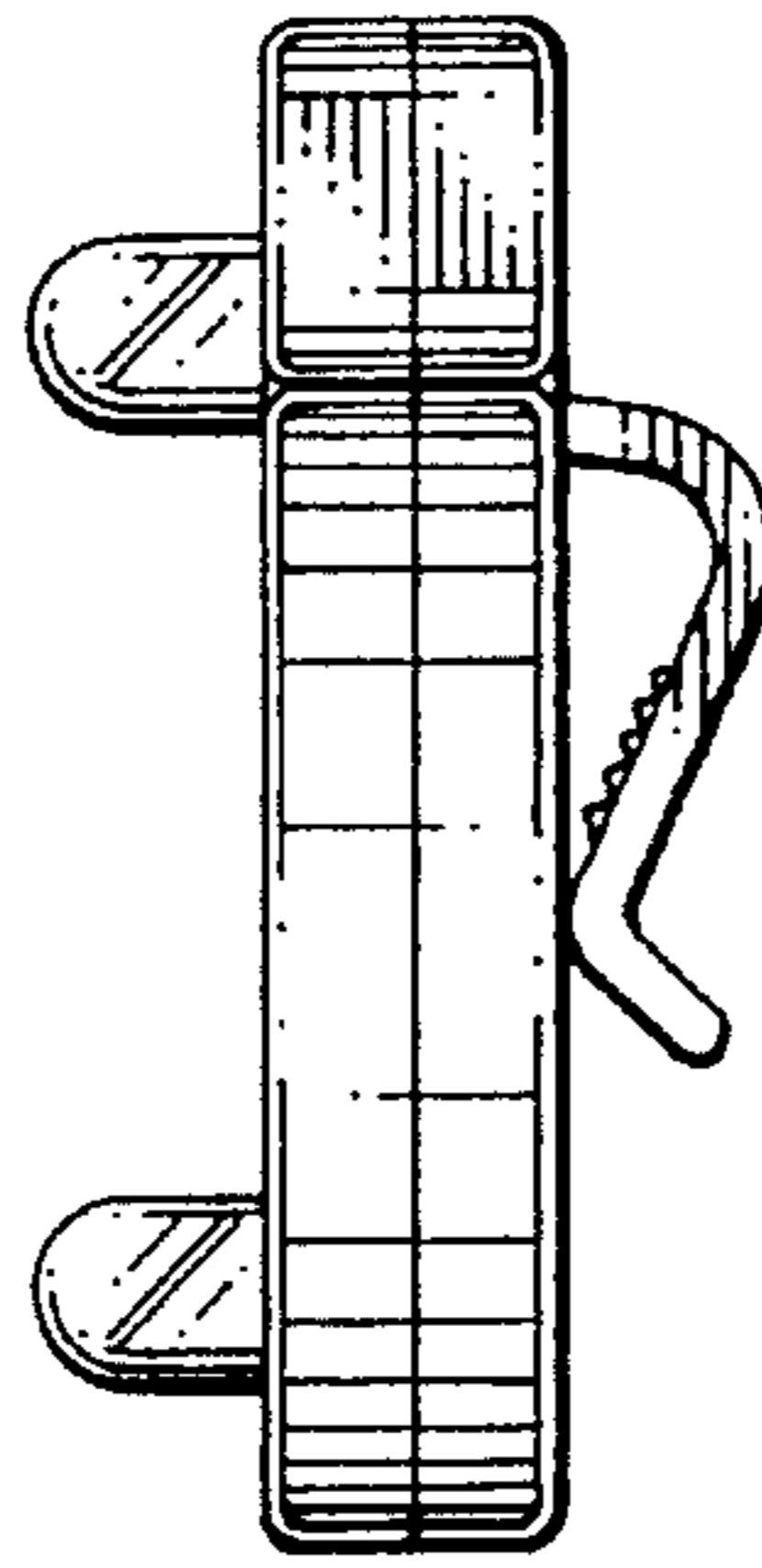


FIG. 4

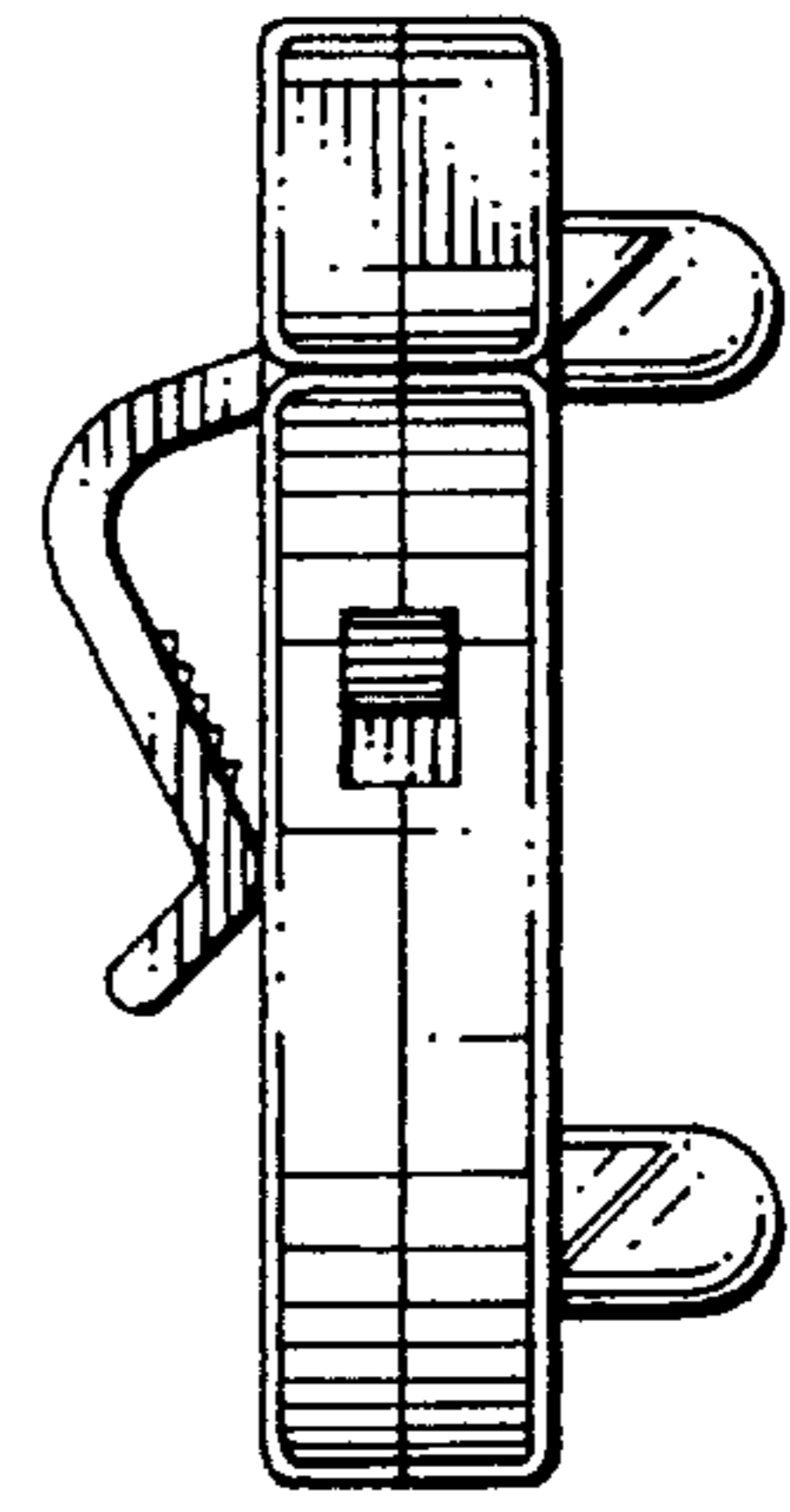


FIG. 5

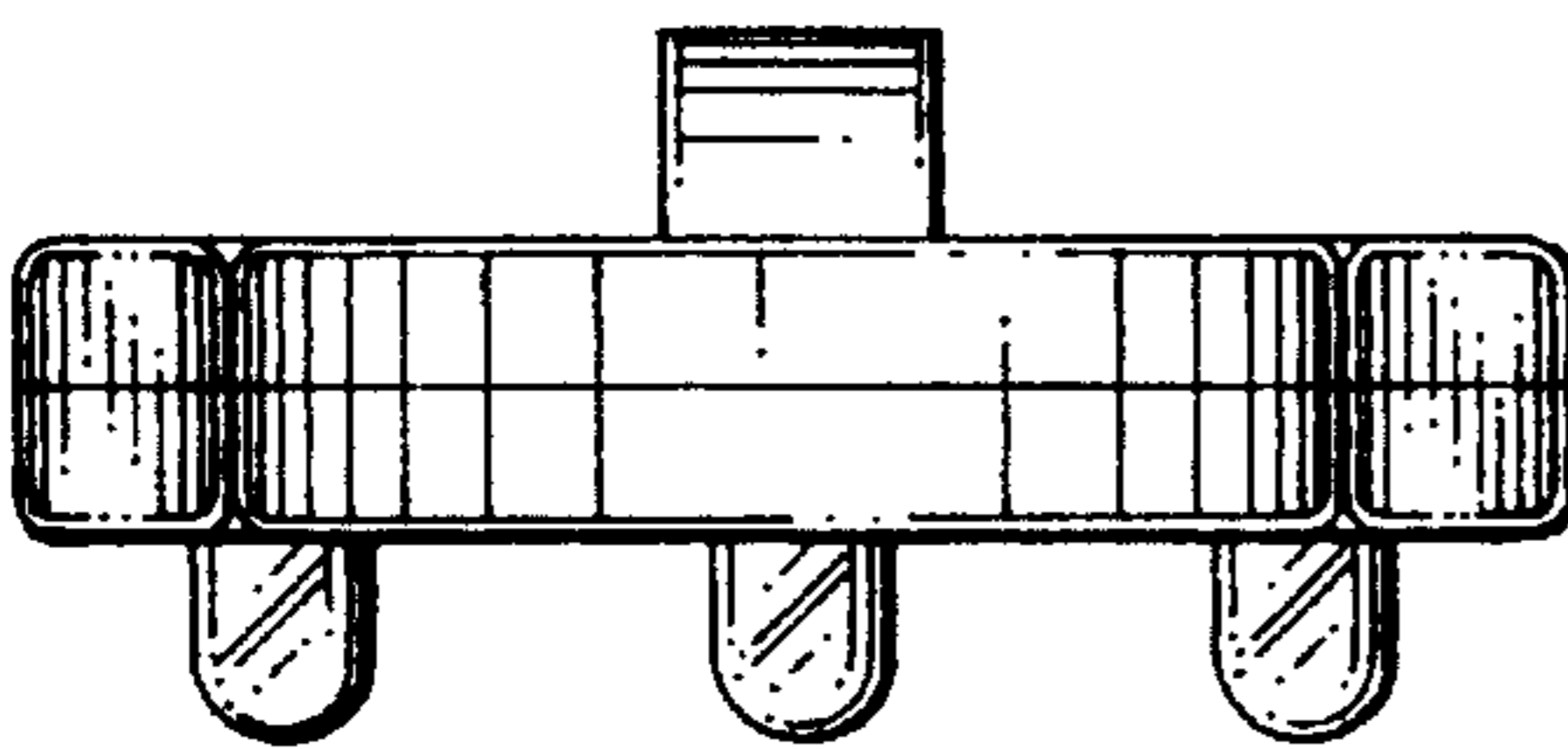


FIG. 6

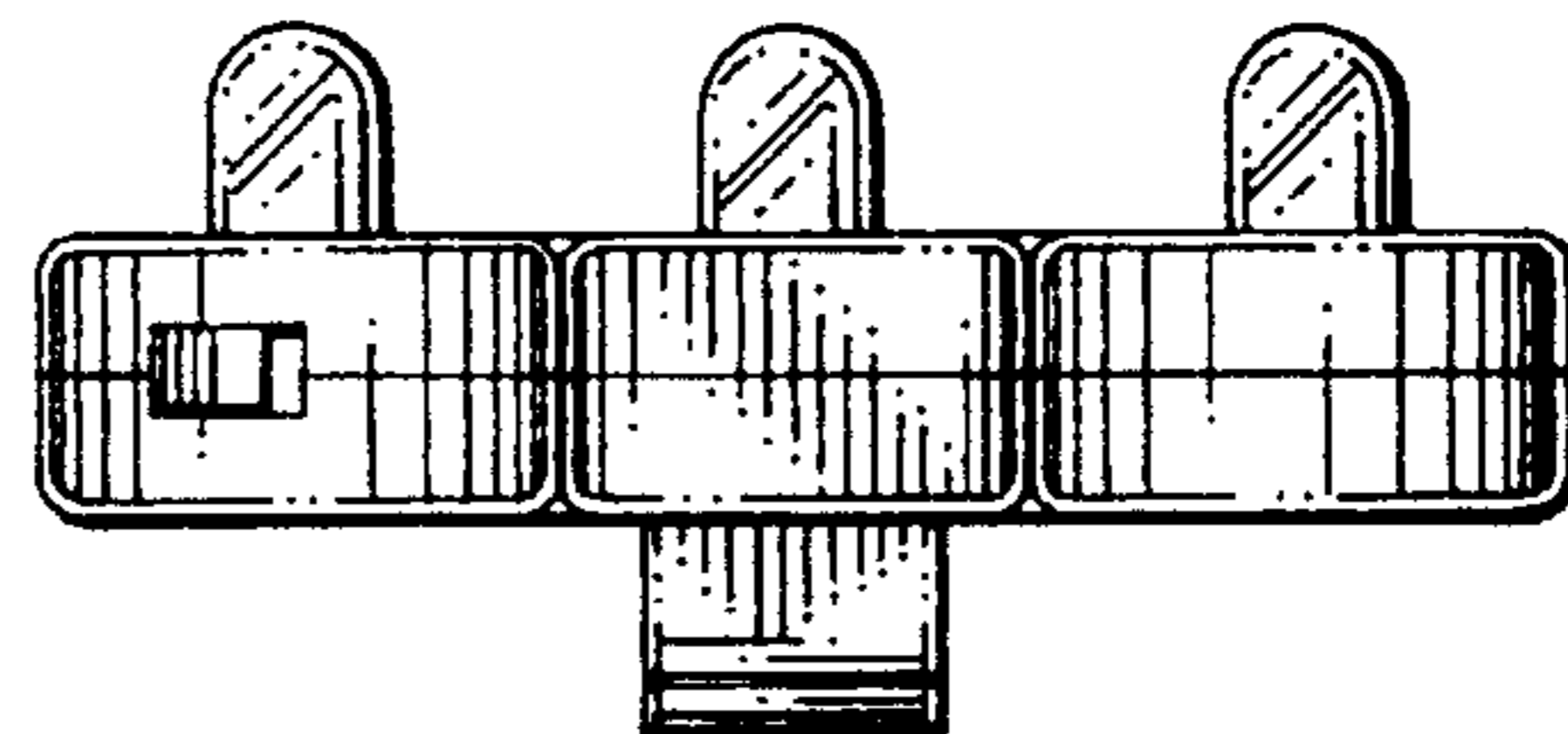


FIG. 7