



US00D376331S

United States Patent [19]

[11] **Patent Number: Des. 376,331**

Cuomo

[45] **Date of Patent: **Dec. 10, 1996**

[54] **PORTABLE BURGLAR ALARM**

Attorney, Agent, or Firm—Pandiscio & Pandiscio

[76] Inventor: **Joseph Cuomo**, 25 Woodmeadow Dr.,
Salem, N.H. 03079

[57] **CLAIM**

[**] Term: **14 Years**

The ornamental design for the portable burglar alarm, as shown and described.

[21] Appl. No.: **46,647**

DESCRIPTION

[22] Filed: **Oct. 20, 1995**

[52] U.S. Cl. **D10/106**

[58] Field of Search D10/104, 106,
D10/116, 121; 340/540, 541, 545, 546,
569, 570, 571, 572, 573

FIG. 1 is a perspective view of a portable burglar alarm formed in accordance with the present invention;

FIG. 2 is a top view of the portable burglar alarm shown in FIG. 1;

FIG. 3 is a bottom view of the portable burglar alarm shown in FIG. 1;

FIG. 4 is a right side view of the portable burglar alarm shown in FIG. 1;

FIG. 5 is a left side view of the portable burglar alarm shown in FIG. 1;

FIG. 6 is a front view of the portable burglar alarm shown in FIG. 1; and,

FIG. 7 is a rear view of the portable burglar alarm shown in FIG. 1.

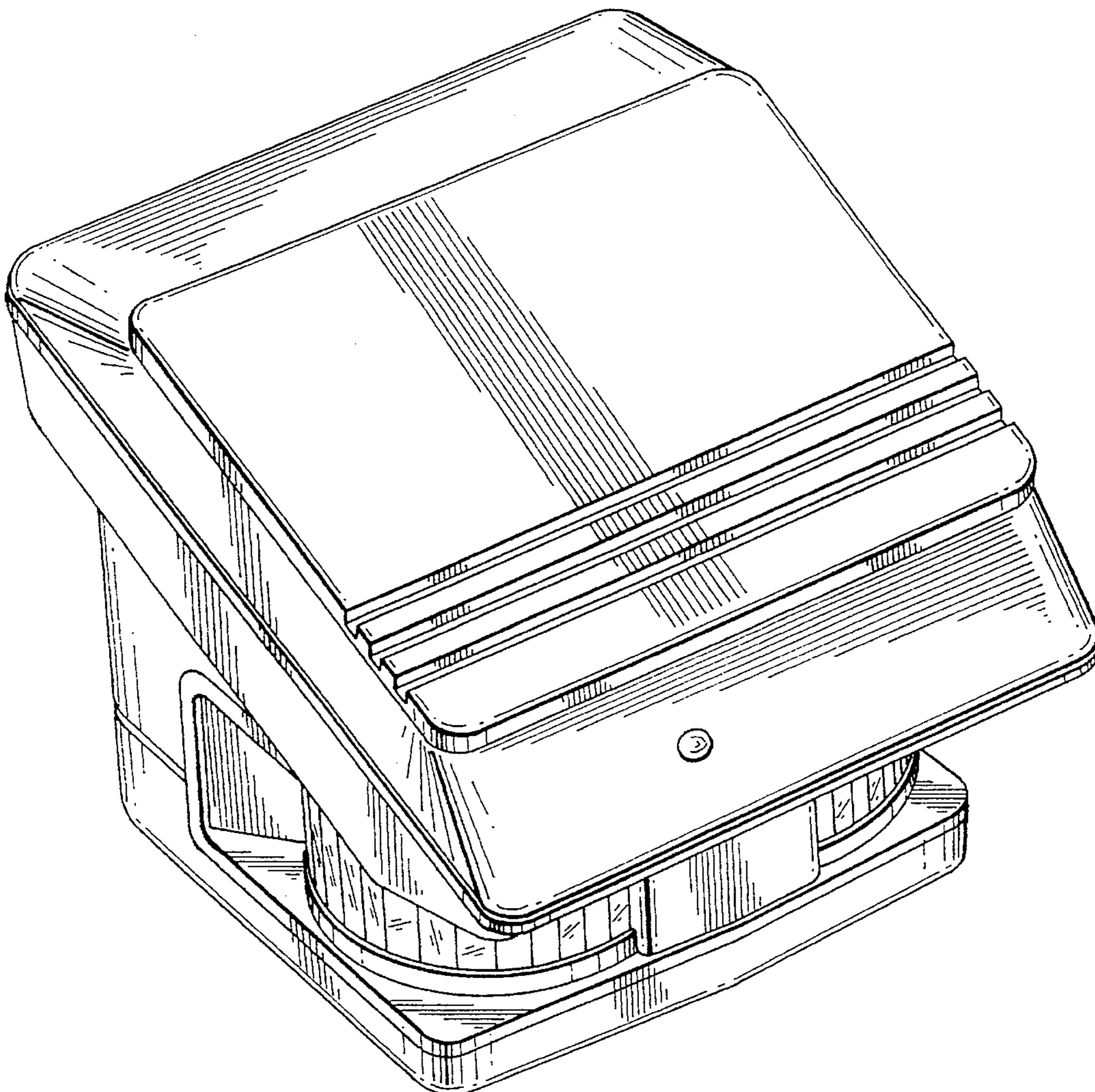
[56] **References Cited**

U.S. PATENT DOCUMENTS

D. 277,465	2/1985	MacDonald	D10/106
D. 294,232	2/1988	Umehara et al.	D10/106
D. 336,054	6/1993	Litherland	D10/106
D. 337,960	8/1993	Yuen	D10/106

Primary Examiner—A. Hugo Word
Assistant Examiner—Marcus Jackson

1 Claim, 7 Drawing Sheets



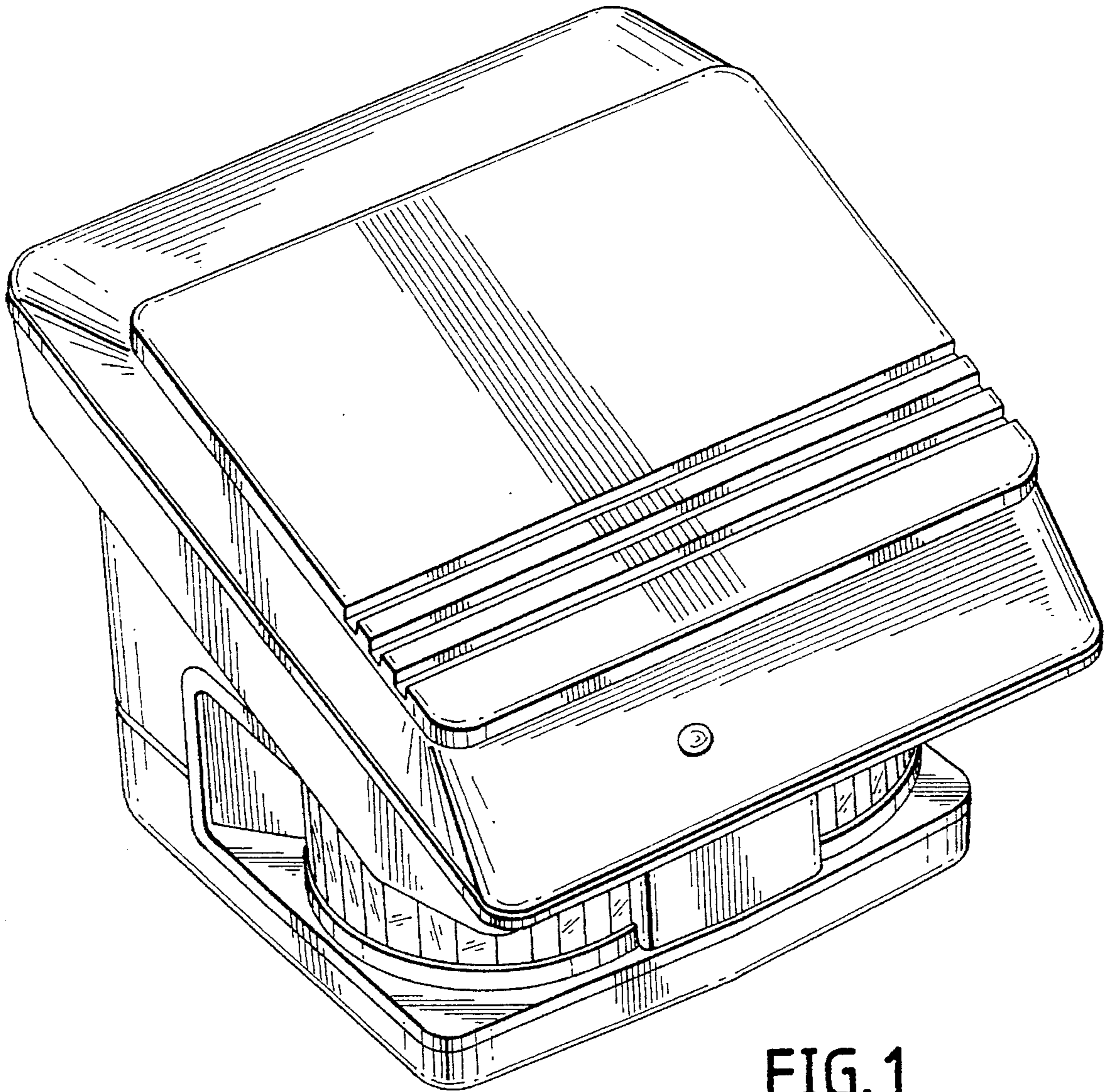


FIG. 1

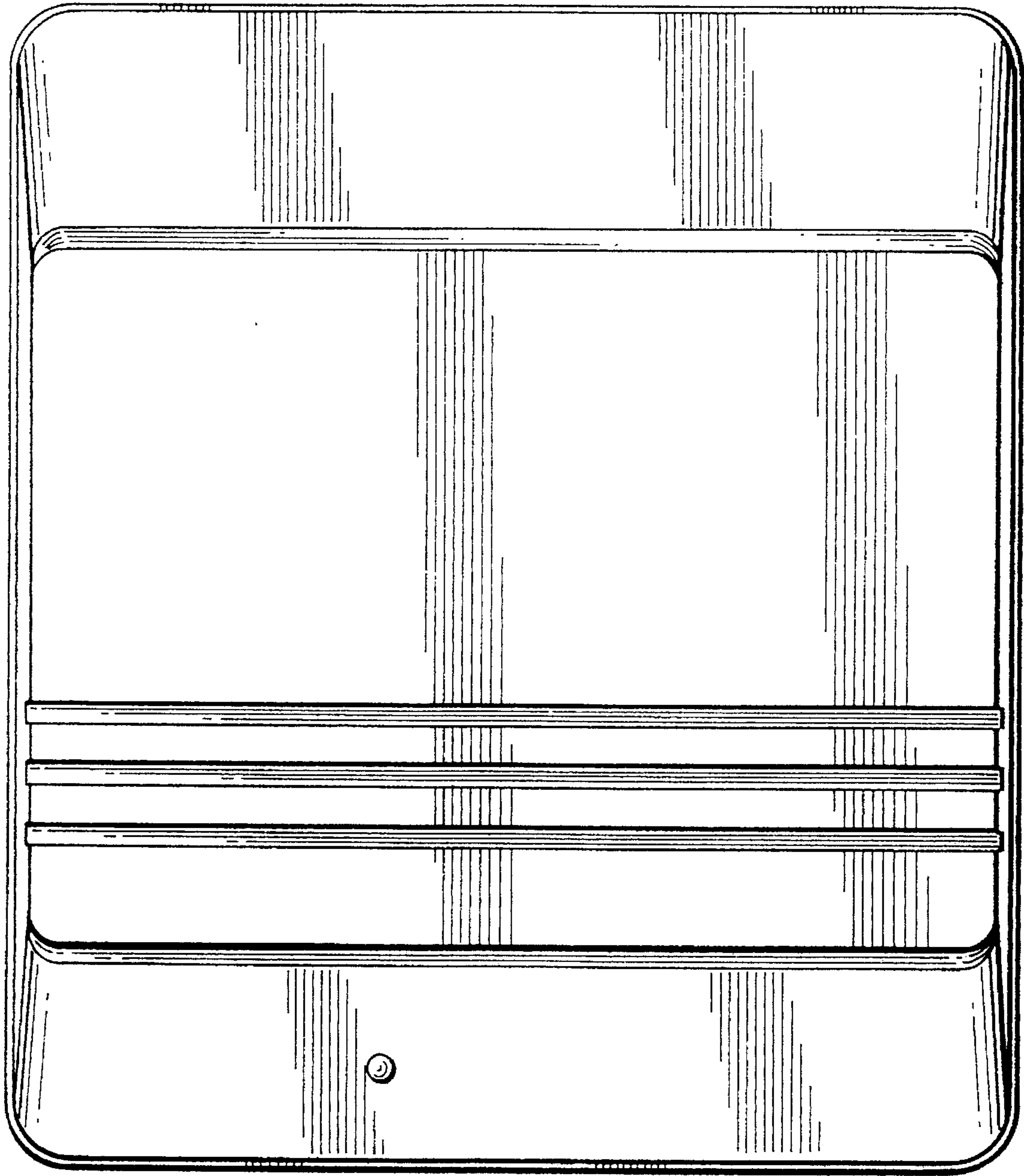


FIG. 2

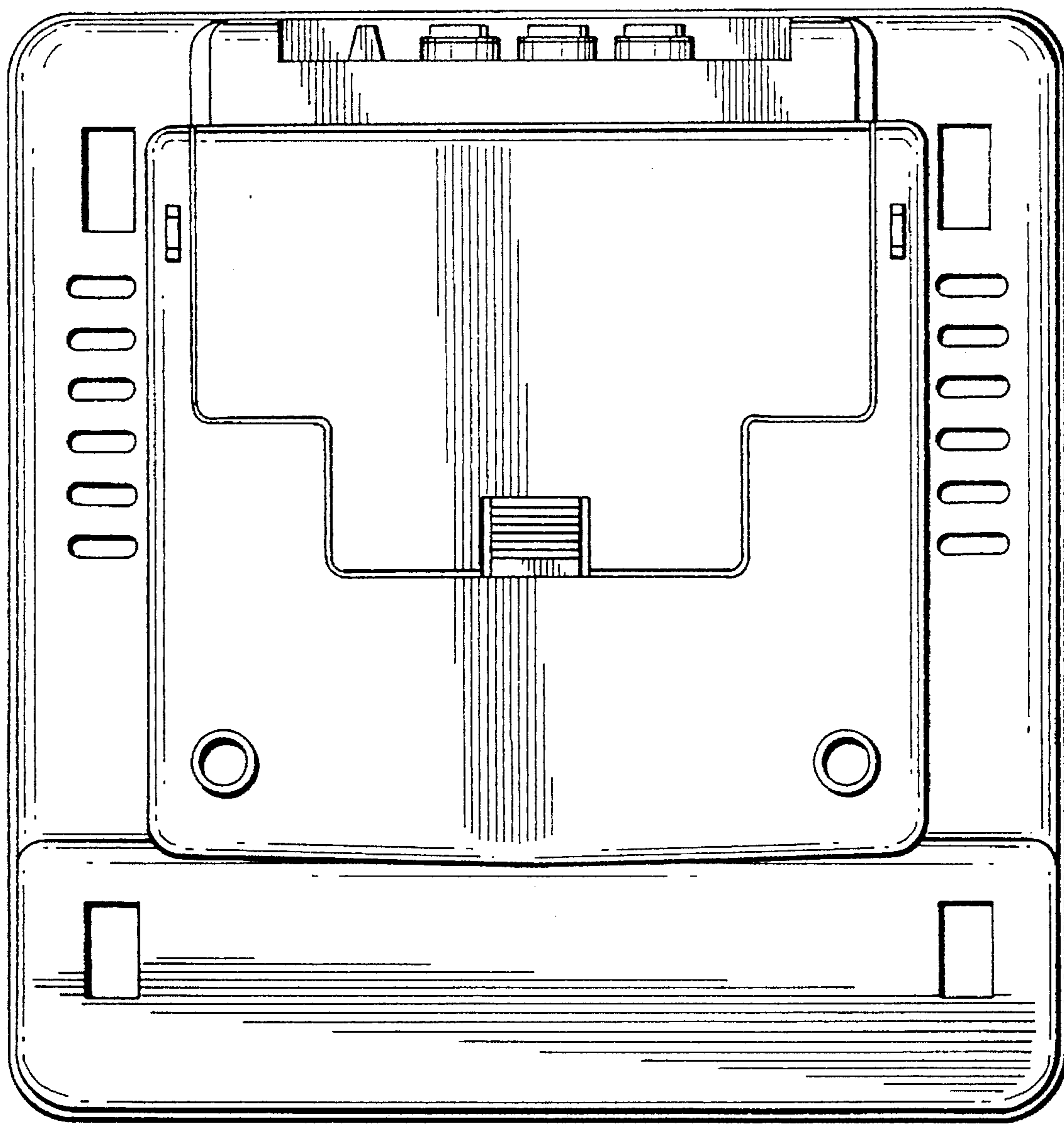


FIG. 3

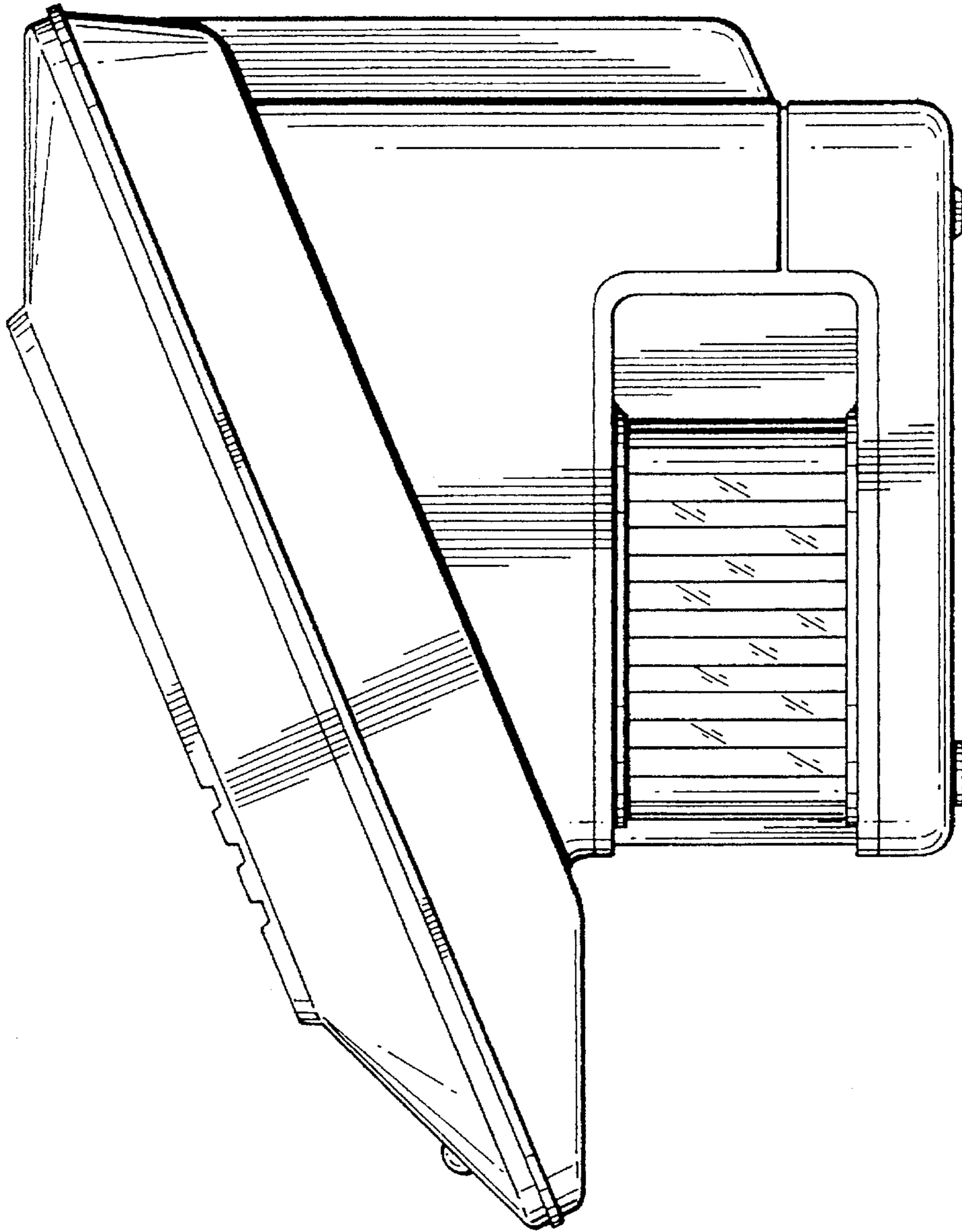


FIG. 4

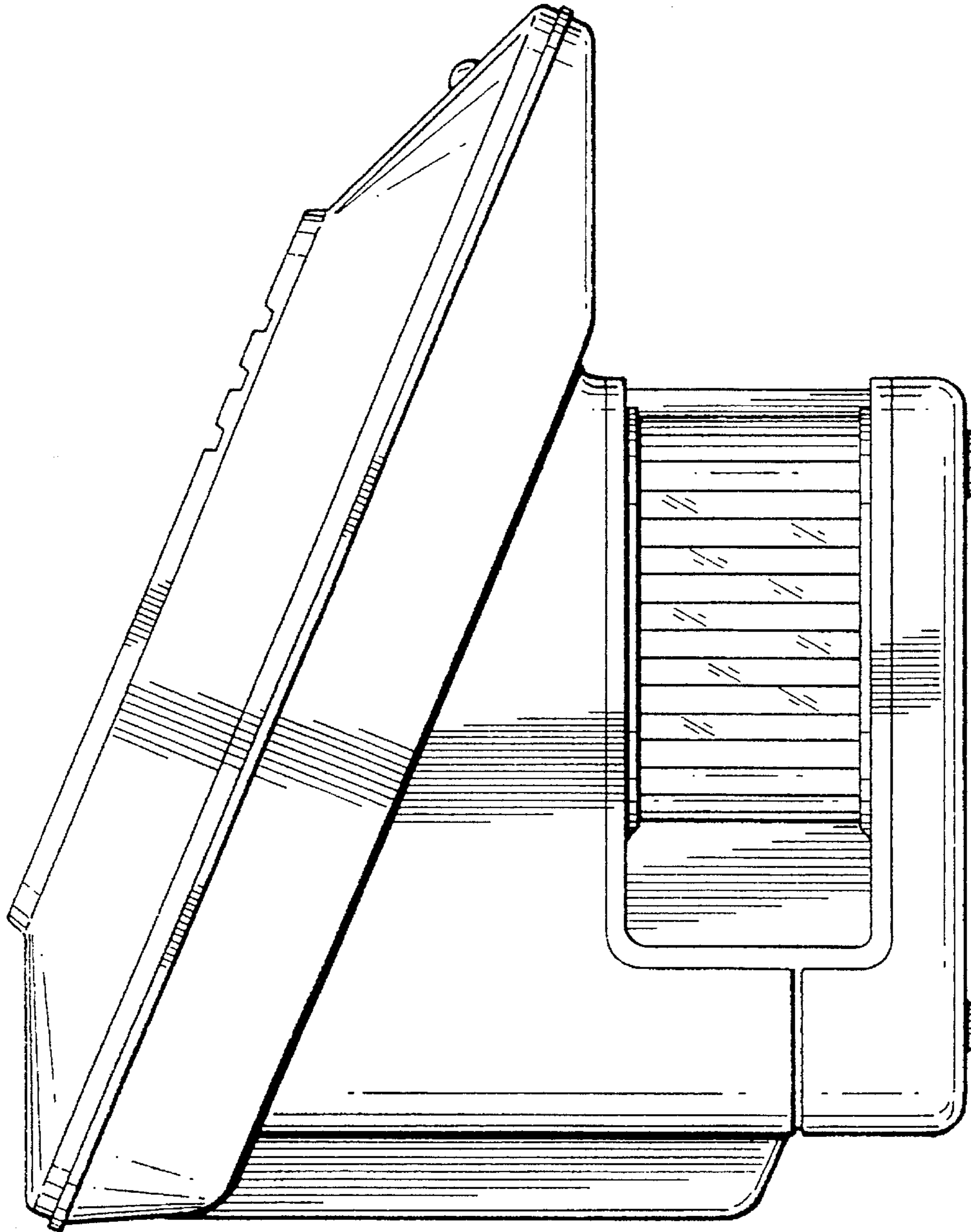


FIG. 5

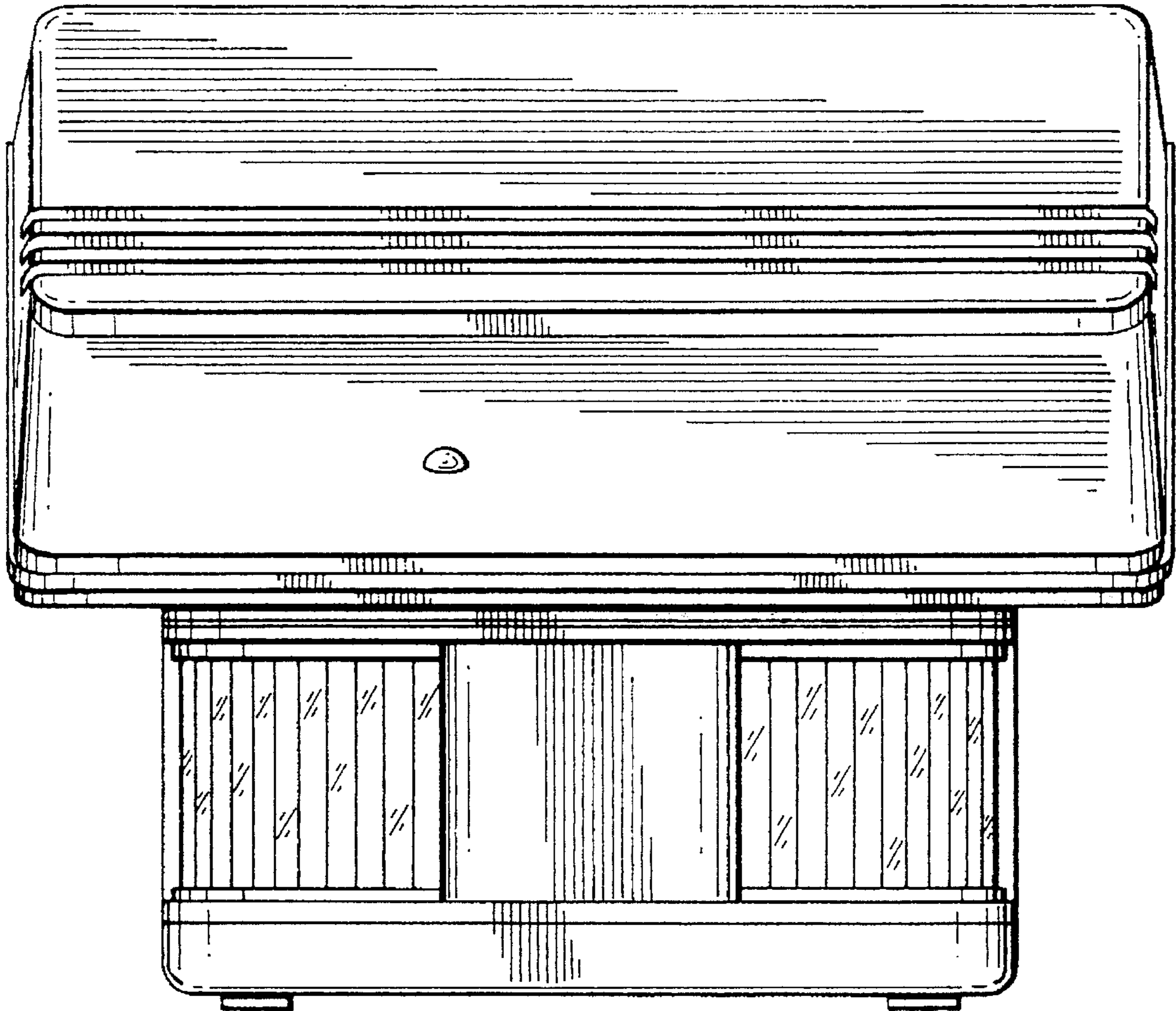


FIG. 6

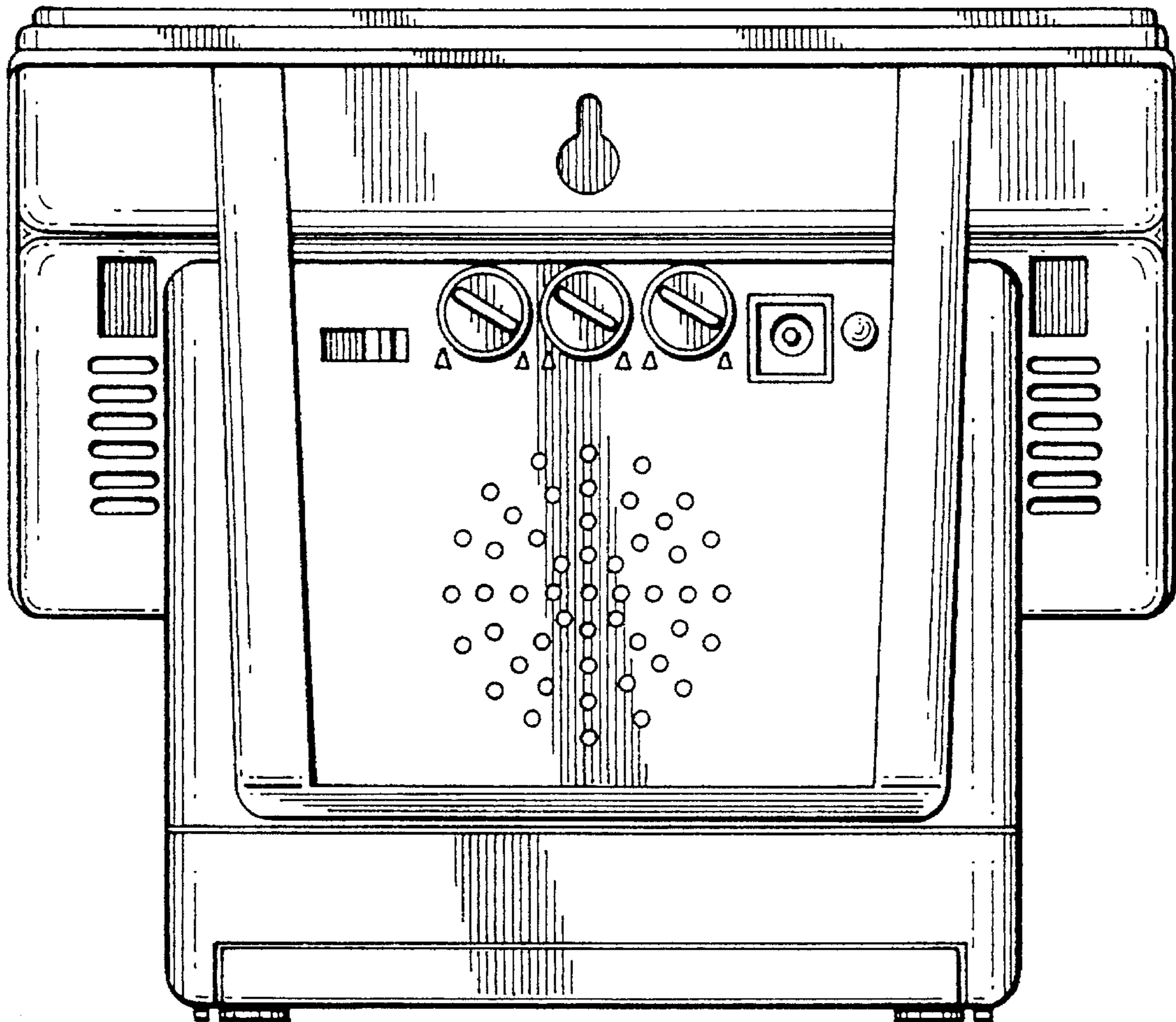


FIG. 7