



US00D376327S

United States Patent [19]

Andrieu

[11] Patent Number: **Des. 376,327**

[45] Date of Patent: ****Dec. 10, 1996**

[54] **WEIGHING APPARATUS FOR BABIES**

3,481,415 12/1969 Hutchinson 177/239

[75] Inventor: **Louis Andrieu**, Sales, France

Primary Examiner—Antoine Duval Davis
Attorney, Agent, or Firm—Young & Thompson

[73] Assignee: **Tefal S.A.**, Rumilly, France

[**] Term: **14 Years**

[57] **CLAIM**

The ornamental design for a weighing apparatus for babies, as shown.

[21] Appl. No.: **38,466**

[22] Filed: **May 2, 1995**

DESCRIPTION

[30] **Foreign Application Priority Data**

FIG. 1 is a top, front and side perspective view of a weighing apparatus for babies, showing my new design;
FIG. 2 is a top plan view thereof;
FIG. 3 is a rear elevational view thereof;
FIG. 4 is a side elevational view thereof from the right of FIG. 3;
FIG. 5 is a side elevational view thereof from the left of FIG. 3;
FIG. 6 is a front elevational view thereof; and,
FIG. 7 is a bottom plan view thereof.

Nov. 2, 1994 [FR] France 946006

[52] U.S. Cl. **D10/91**

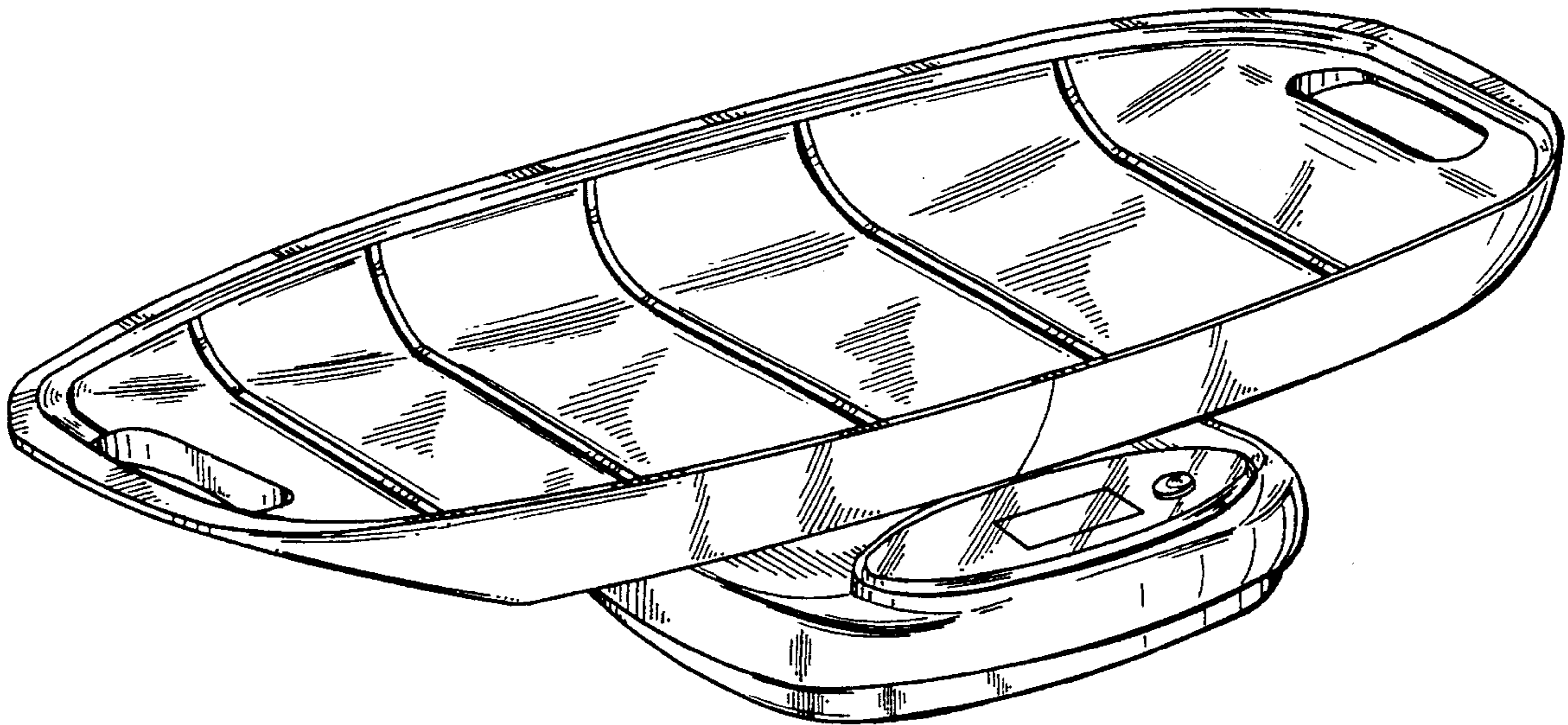
[58] Field of Search D10/91, 92; 177/181,
177/182, 238-243, 245, 262

[56] **References Cited**

U.S. PATENT DOCUMENTS

- D. 363,243 10/1995 Anthoine-Milhomme D10/92
- D. 363,245 10/1995 Andrieu D10/92
- 3,167,144 1/1965 Jacobs et al. 177/239

1 Claim, 5 Drawing Sheets



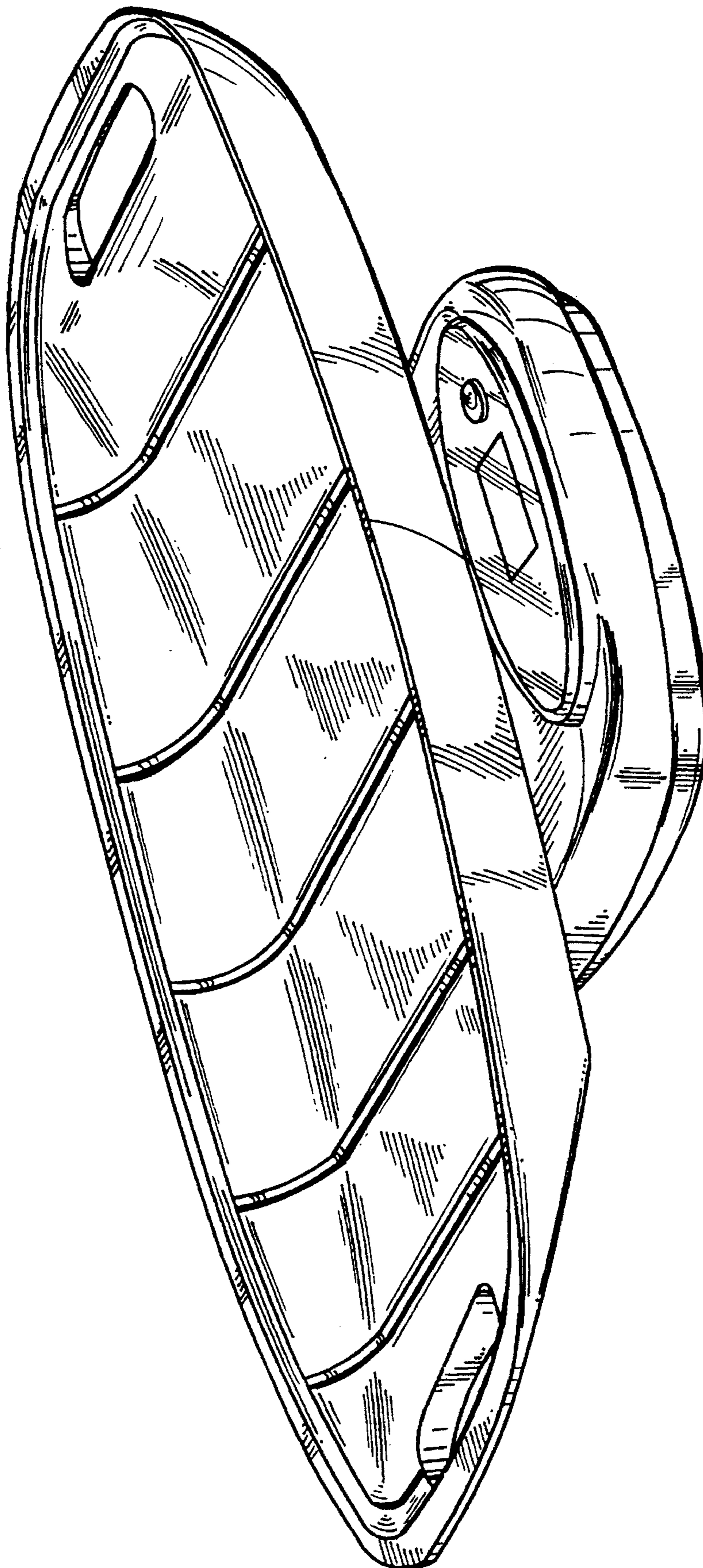


FIG. 1

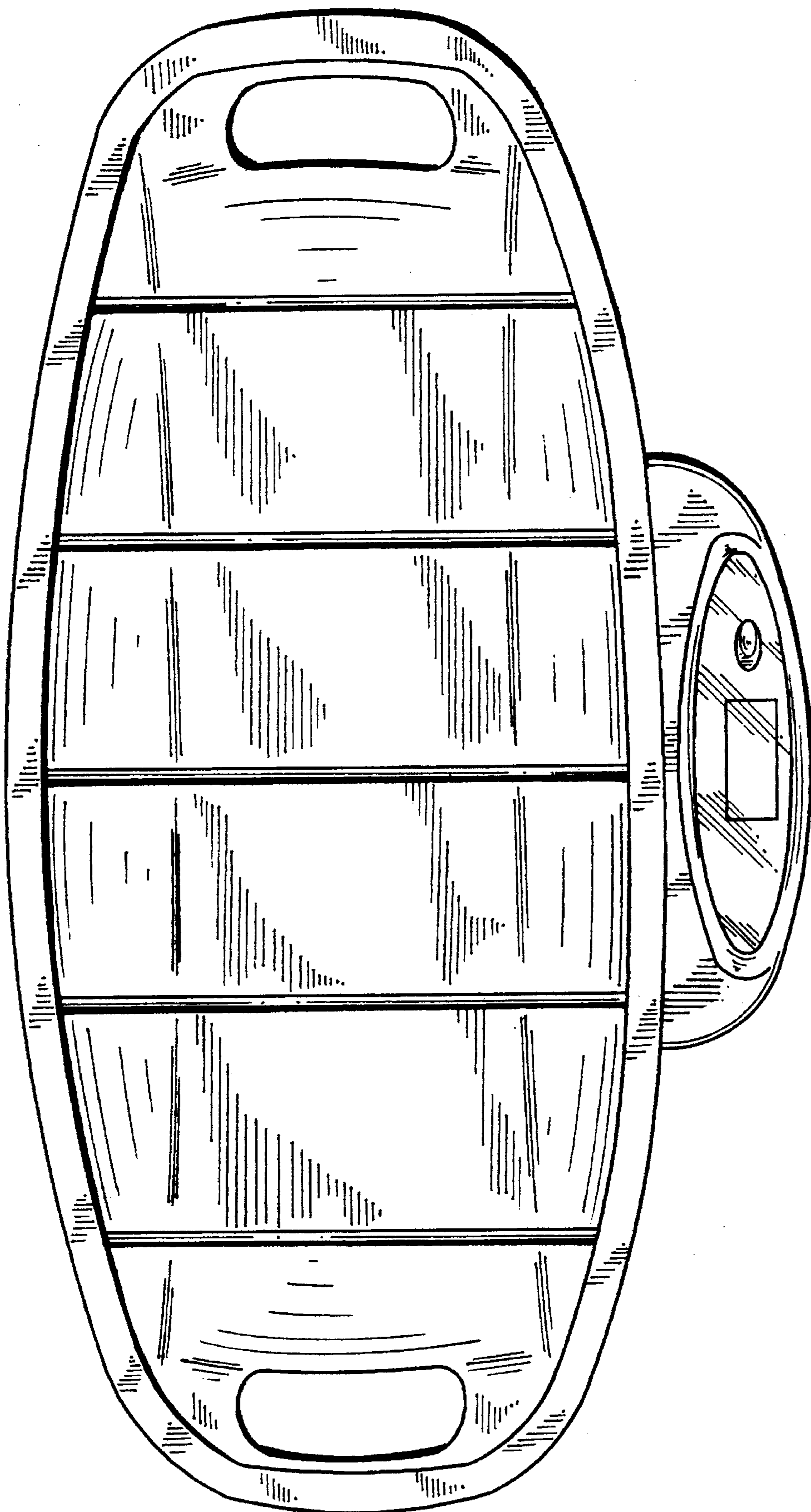


FIG. 2

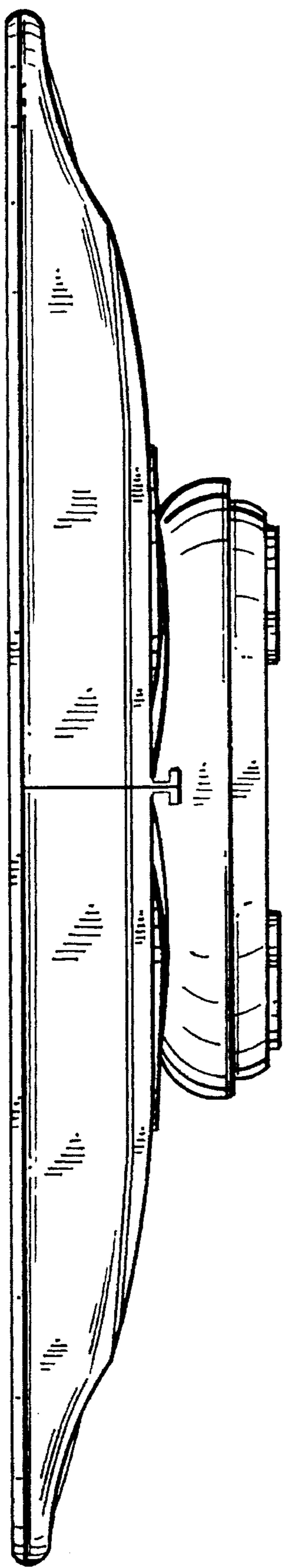


FIG. 3

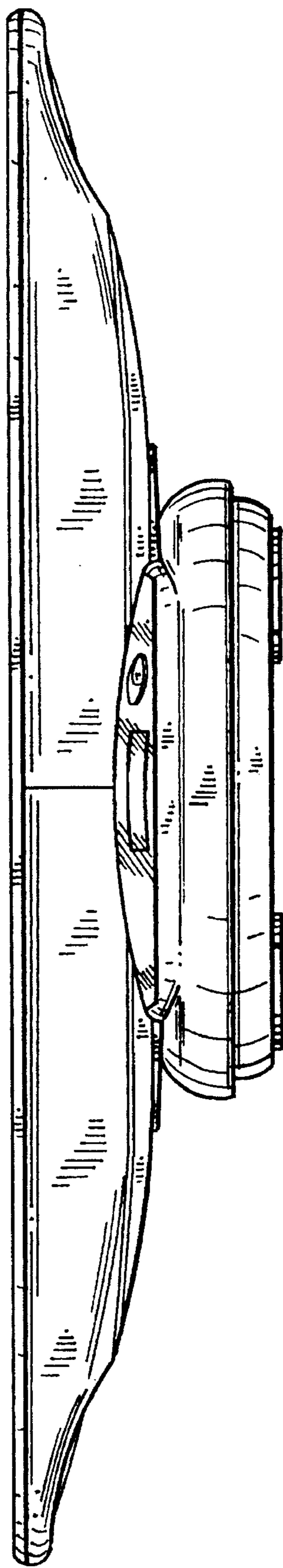


FIG. 6

FIG. 4

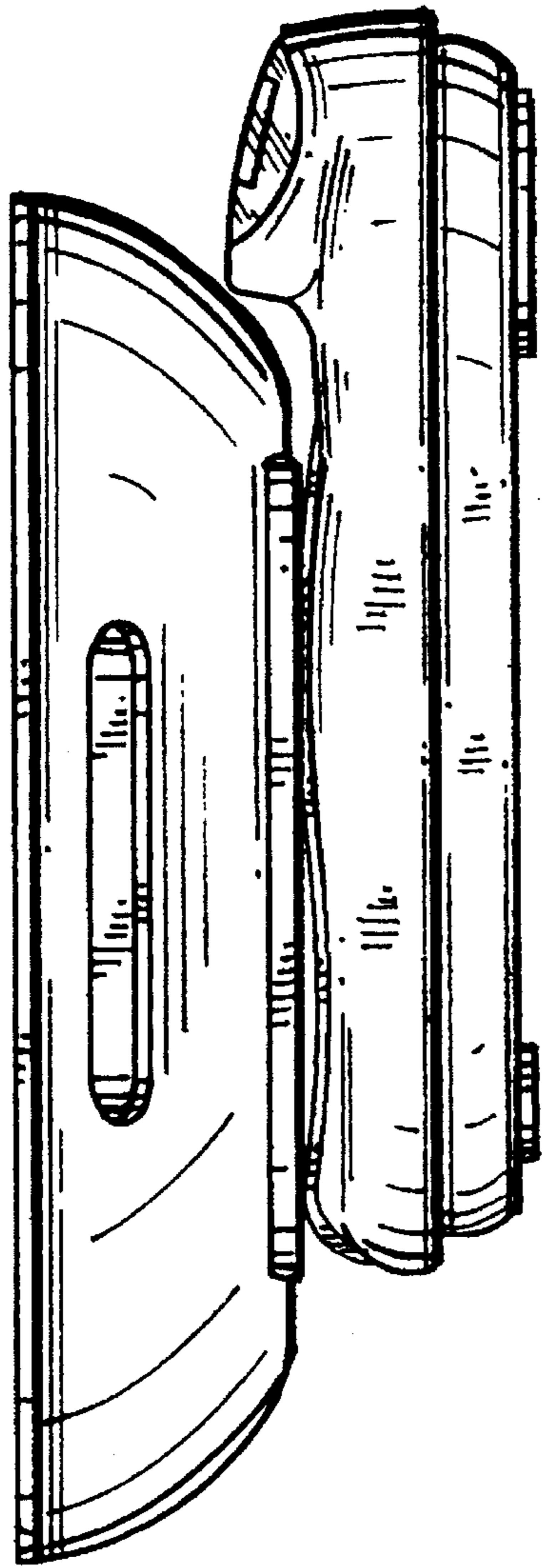
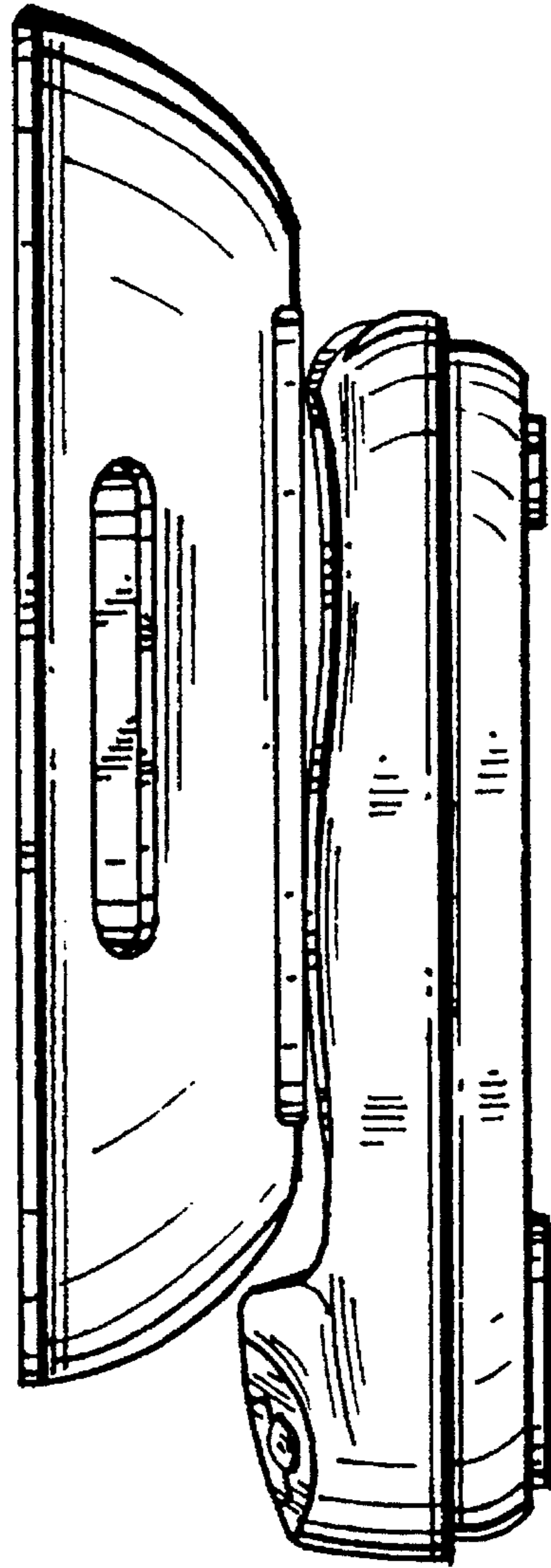


FIG. 5



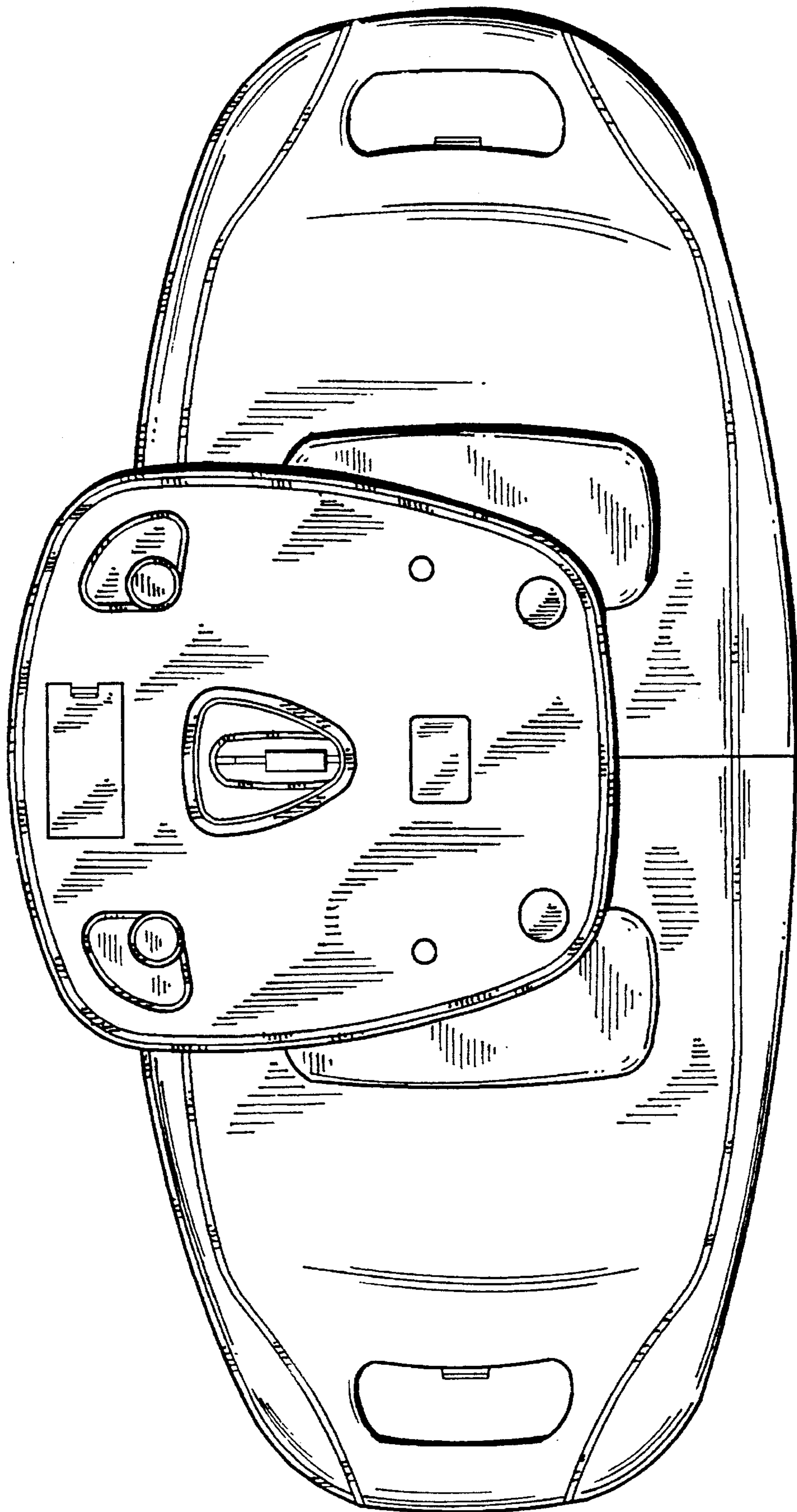


FIG. 7