



US00D376325S

# United States Patent [19]

Blauch et al.

[11] Patent Number: **Des. 376,325**

[45] Date of Patent: **\*\*Dec. 10, 1996**

[54] FOOT MEASURING DEVICE

3,579,837 5/1971 Soriano ..... 33/3 B

[76] Inventors: **Kevan K. Blauch**, 22 Buch Ave., Lancaster, Pa. 17601; **Timothy Hertzog**, 256 N. 11th St., Akron, Pa. 17501

*Primary Examiner*—Antoine Duval Davis  
*Attorney, Agent, or Firm*—Harpman & Harpman

[\*\*] Term: **14 Years**

[57] **CLAIM**

The ornamental design for a foot measuring device, as shown and described.

[21] Appl. No.: **47,750**

**DESCRIPTION**

[22] Filed: **Dec. 12, 1995**

[52] U.S. Cl. .... **D10/70**; D10/93

[58] Field of Search ..... D10/70, 93; 33/3 A, 33/3 B, 3 C; 177/238-245

FIG. 1 is a front, top and side perspective view of the foot measuring device embodying the design of the present invention;

FIG. 2 is a front elevational view thereof;

FIG. 3 is a rear elevational view thereof;

FIG. 4 is a side elevational view thereof, the opposite side elevational view being identical thereto;

FIG. 5 is a top plan view thereof; and,

FIG. 6 is a bottom plan view thereof.

[56] **References Cited**

U.S. PATENT DOCUMENTS

D. 142,055	8/1945	Barok .....	D10/93
D. 207,738	5/1967	Saad .....	D10/70
3,192,627	7/1965	Levitt et al. ....	33/3 C
3,328,882	7/1967	Blivice .....	33/3 C

**1 Claim, 4 Drawing Sheets**

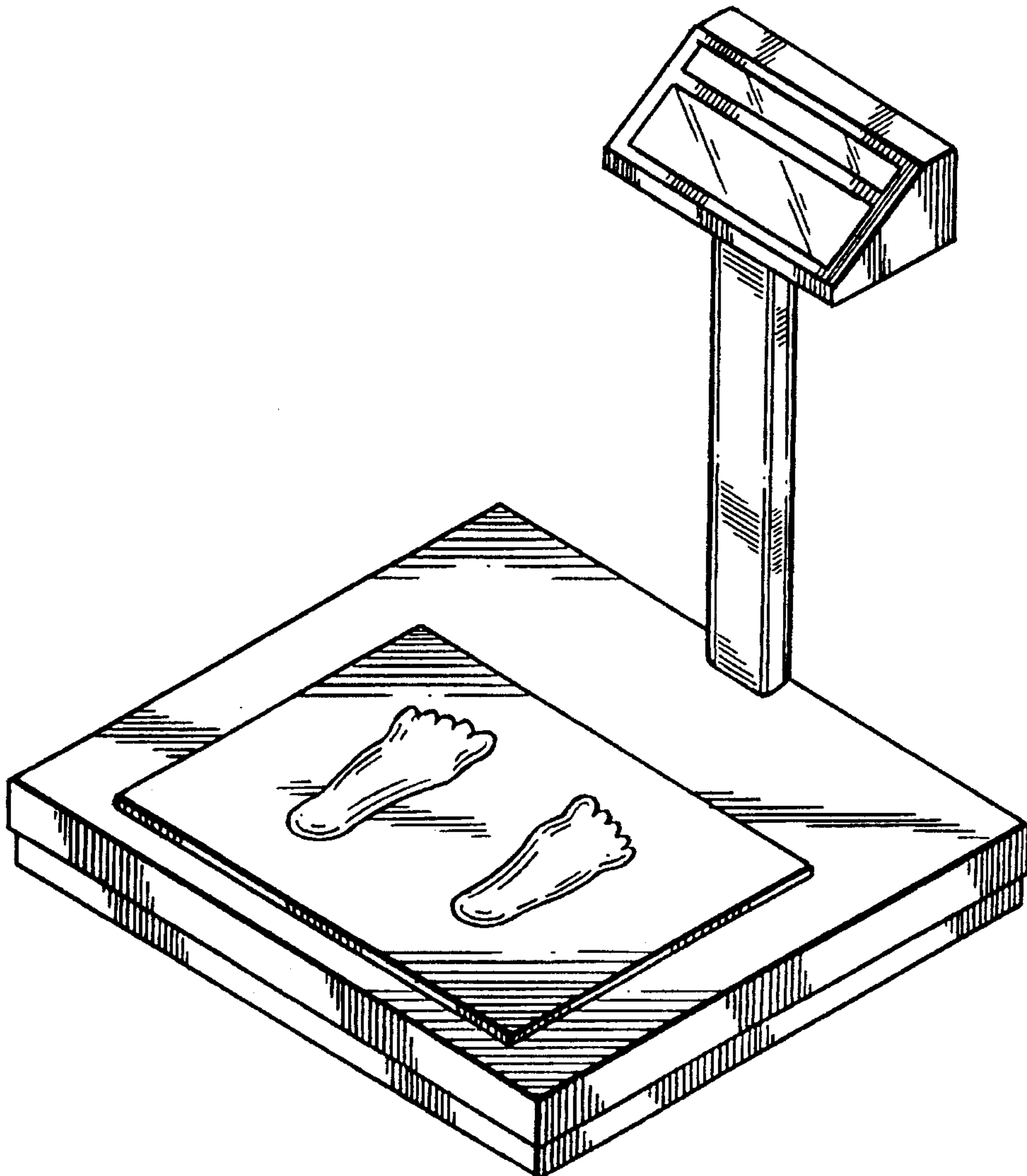


FIG. 1.

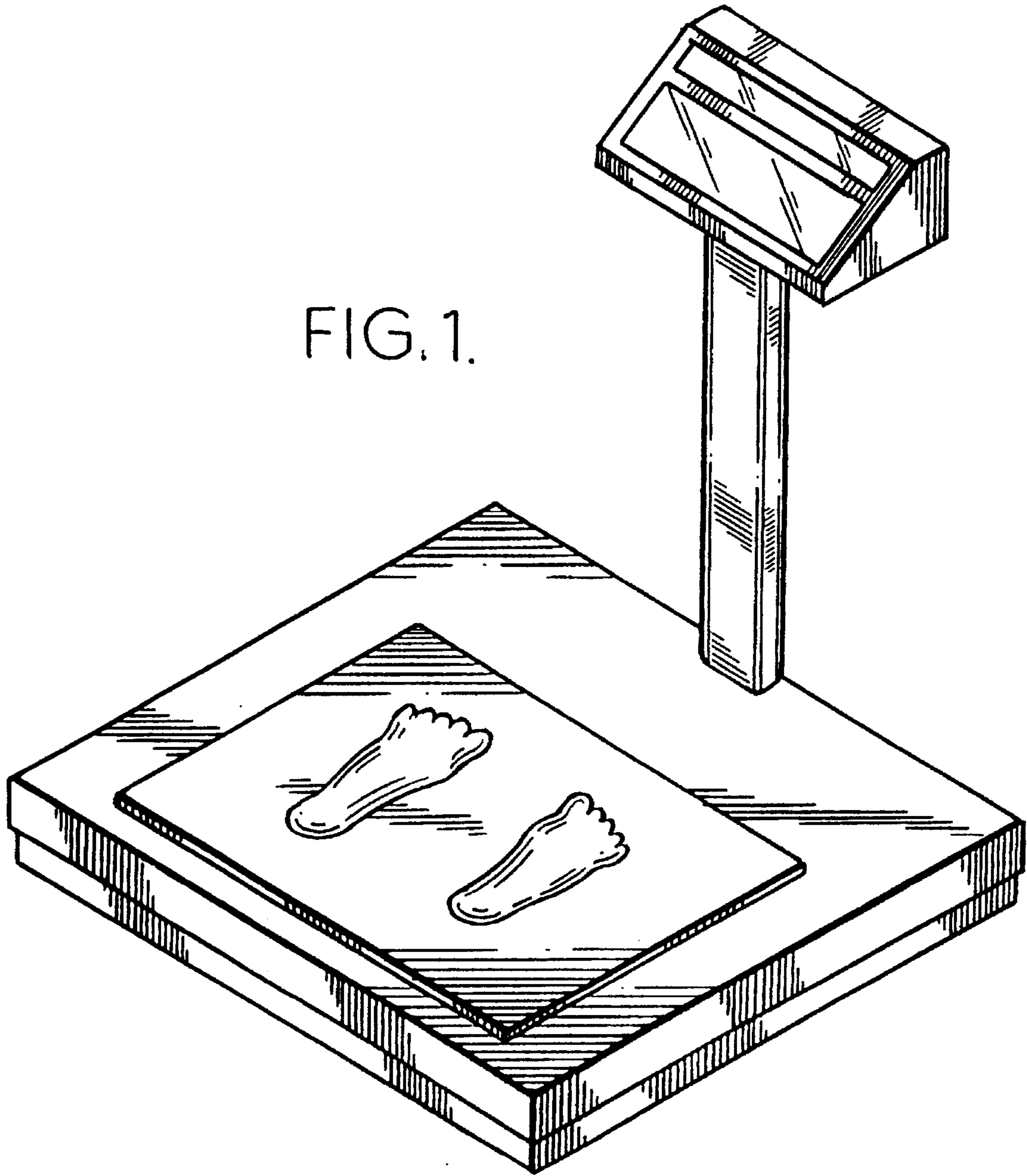


FIG. 2.

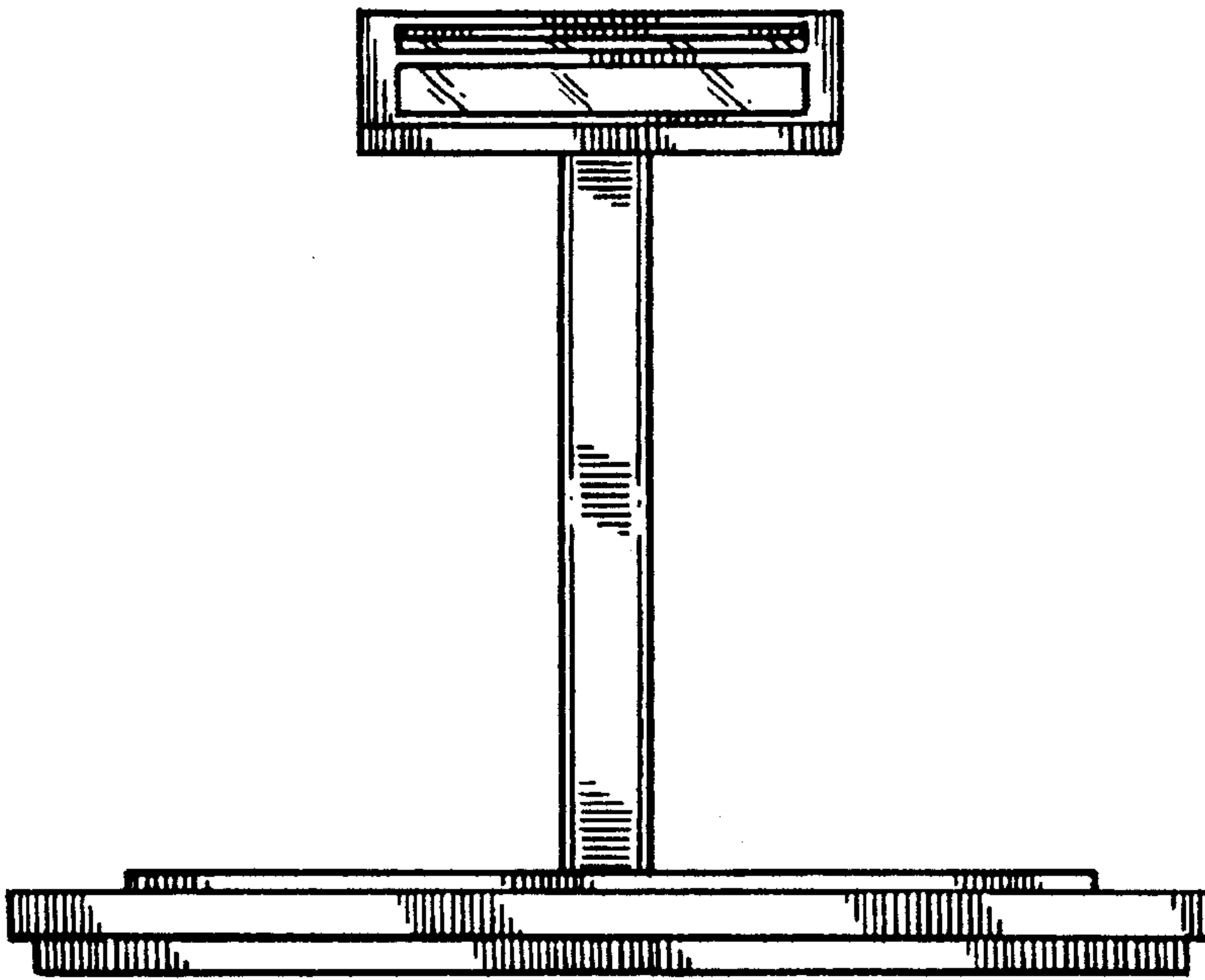
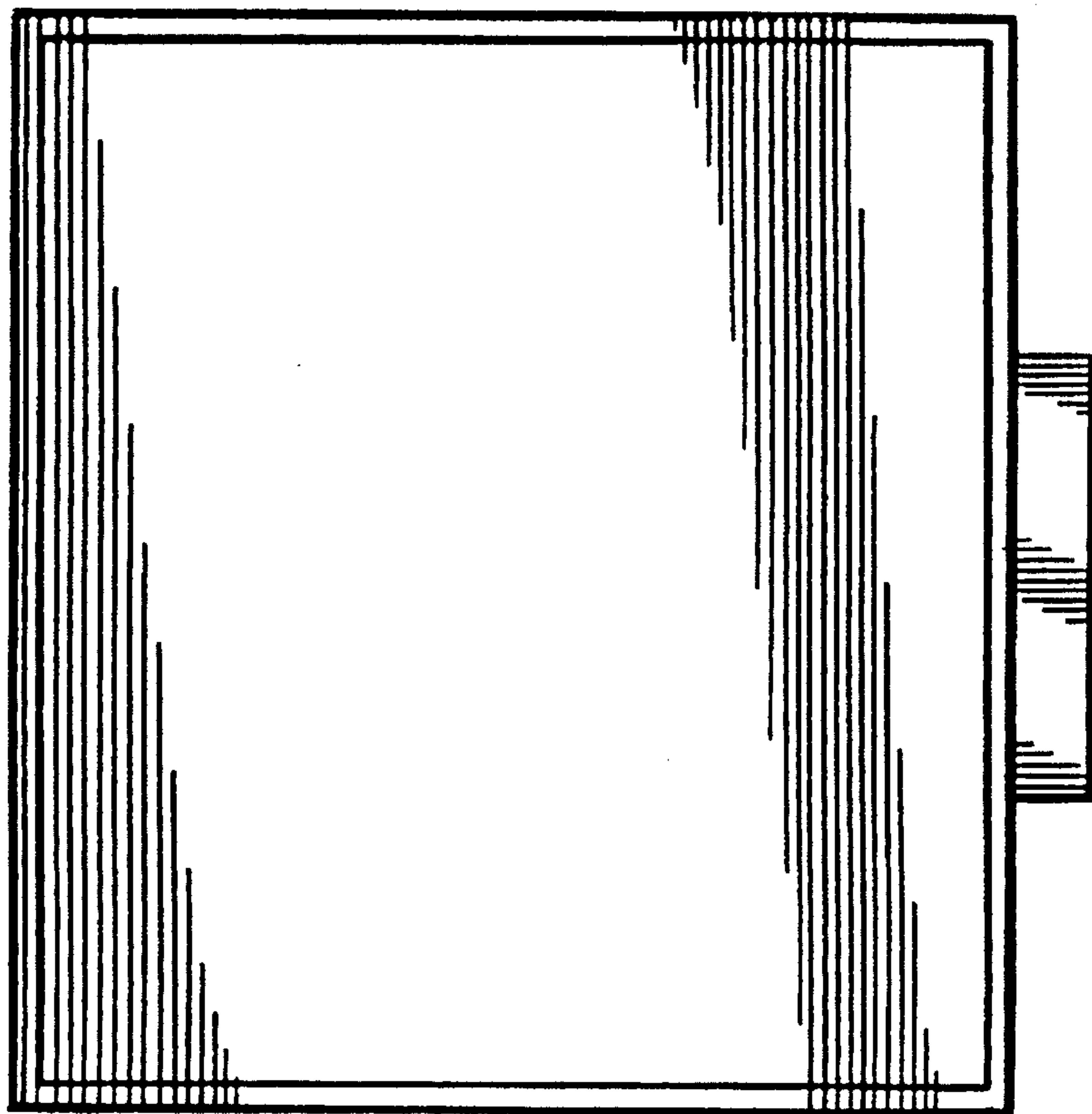


FIG. 6.



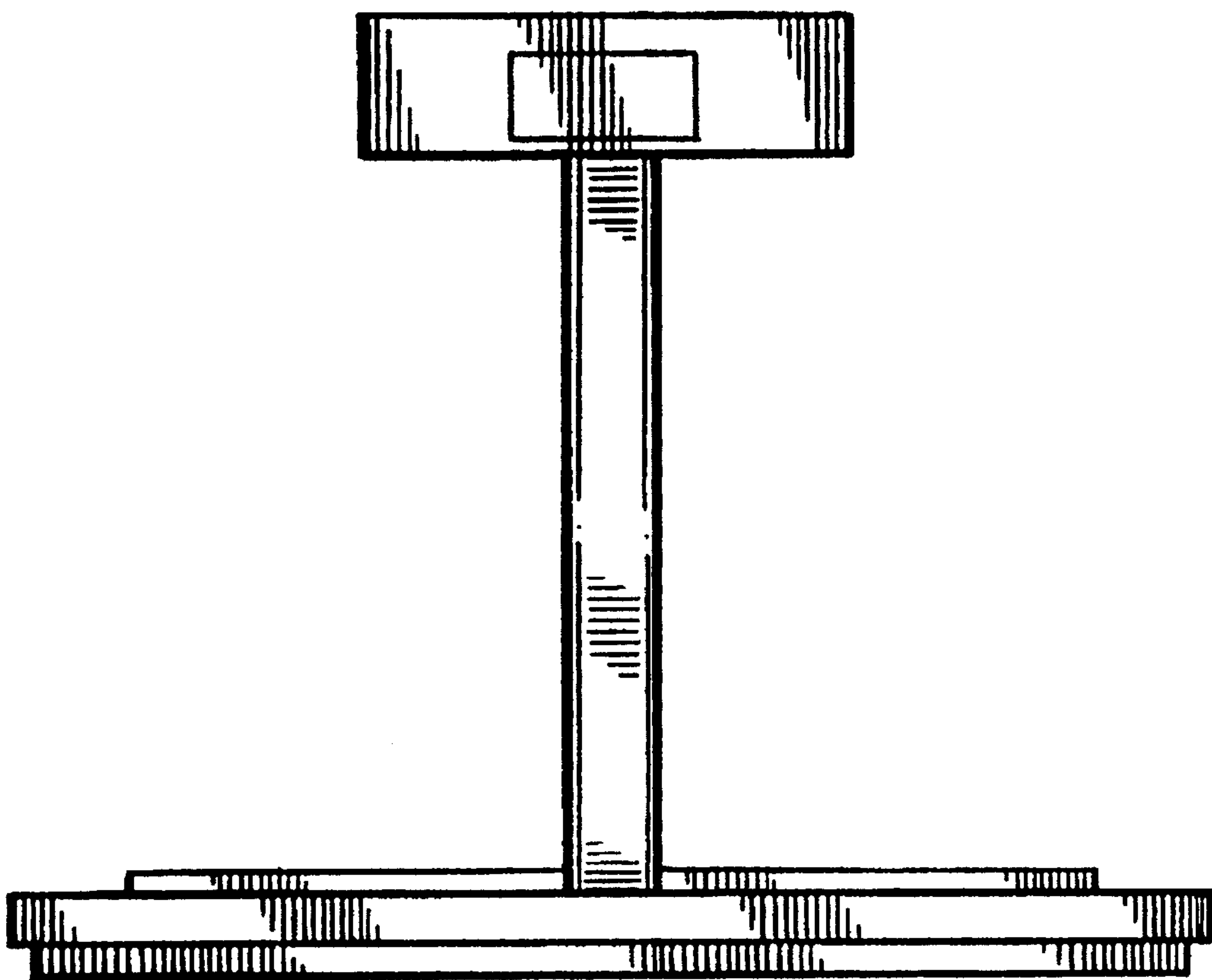


FIG. 3.

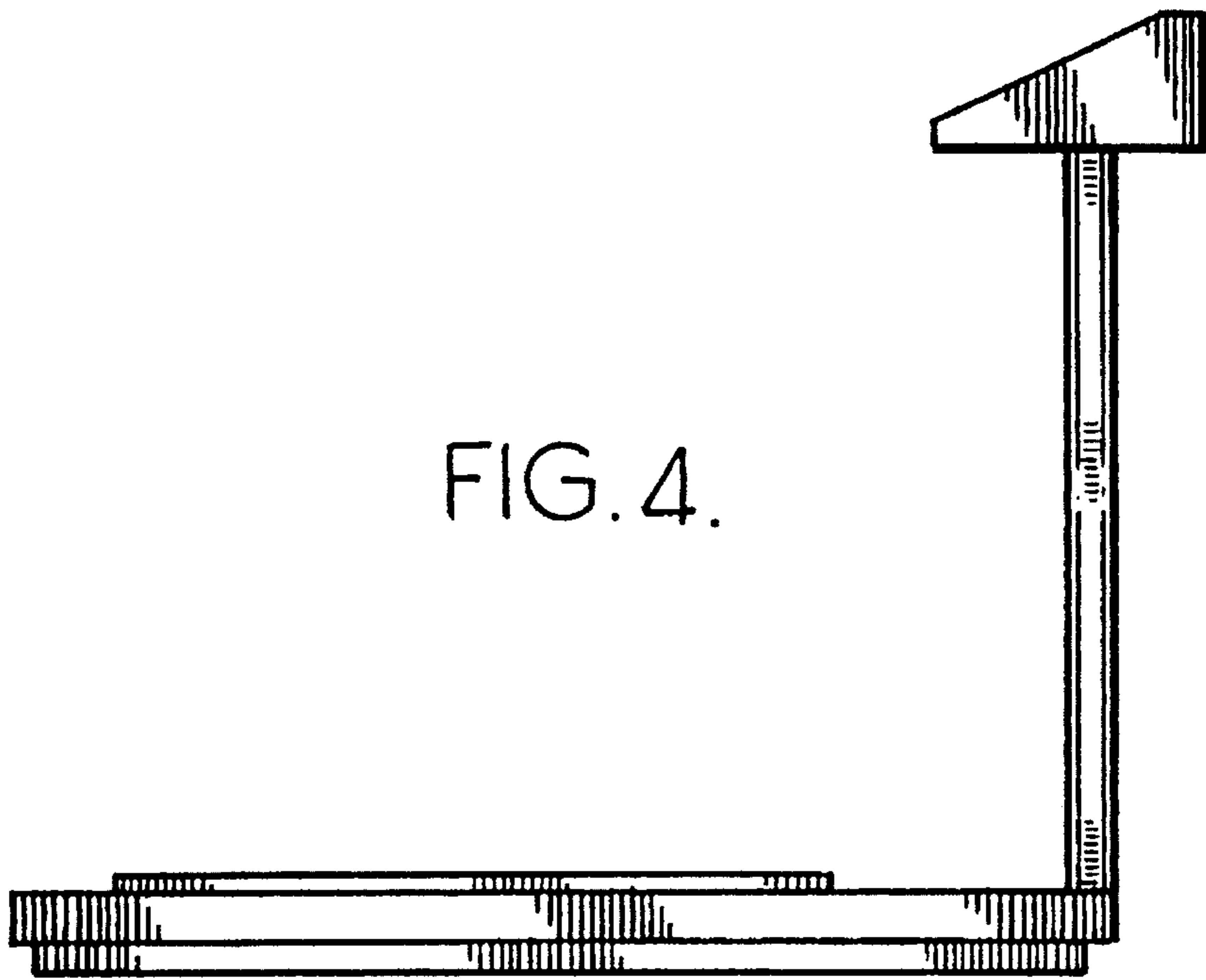


FIG. 4.

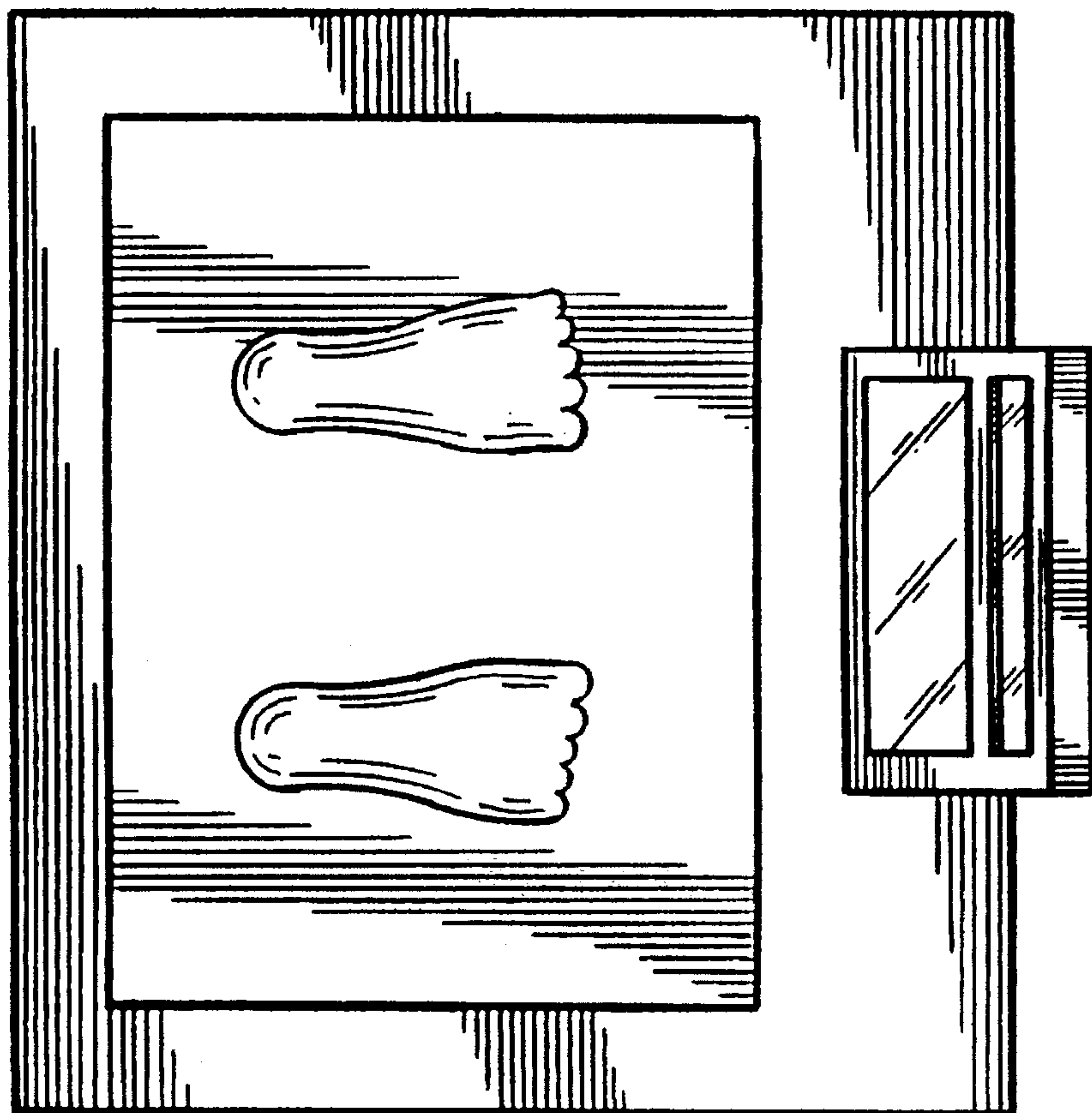


FIG. 5.