



US00D376323S

United States Patent [19]

[11] **Patent Number: Des. 376,323**

Shih

[45] **Date of Patent: **Dec. 10, 1996**

[54] **CLOCK**

[76] Inventor: **Kuang-shung Shih**, No. 196, Sec. 4, Chungching Rd., Taya Hsiang, Taichung Hsien, Taiwan

[**] Term: **14 Years**

[21] Appl. No.: **43,516**

[22] Filed: **Sep. 6, 1995**

[52] U.S. Cl. **D10/28**

[58] Field of Search D10/1-40, 122-132; 368/276-277, 285, 316-317, 189-190

[56] **References Cited**

U.S. PATENT DOCUMENTS

D. 77,428	1/1929	Mott	D10/1
D. 333,620	3/1993	Moore	D10/29
D. 358,996	6/1995	Mo	D10/21
D. 359,456	6/1995	Moore	D10/28

OTHER PUBLICATIONS

European Jeweler -(G.Z.)-Jul. 1987-p. 41-Clock At Bottom Center.

European Jeweler -(G.Z.). Apr. 1986-p. 233-Clock At Right.

Primary Examiner-Nelson C. Holtje

Attorney, Agent, or Firm-Morton J. Rosenberg; David I. Klein

[57] **CLAIM**

The ornamental design for a clock, as shown and described.

DESCRIPTION

FIG. 1 is a front-right-top perspective view of a clock, showing my new design;

FIG. 2 is a front elevational view thereof;

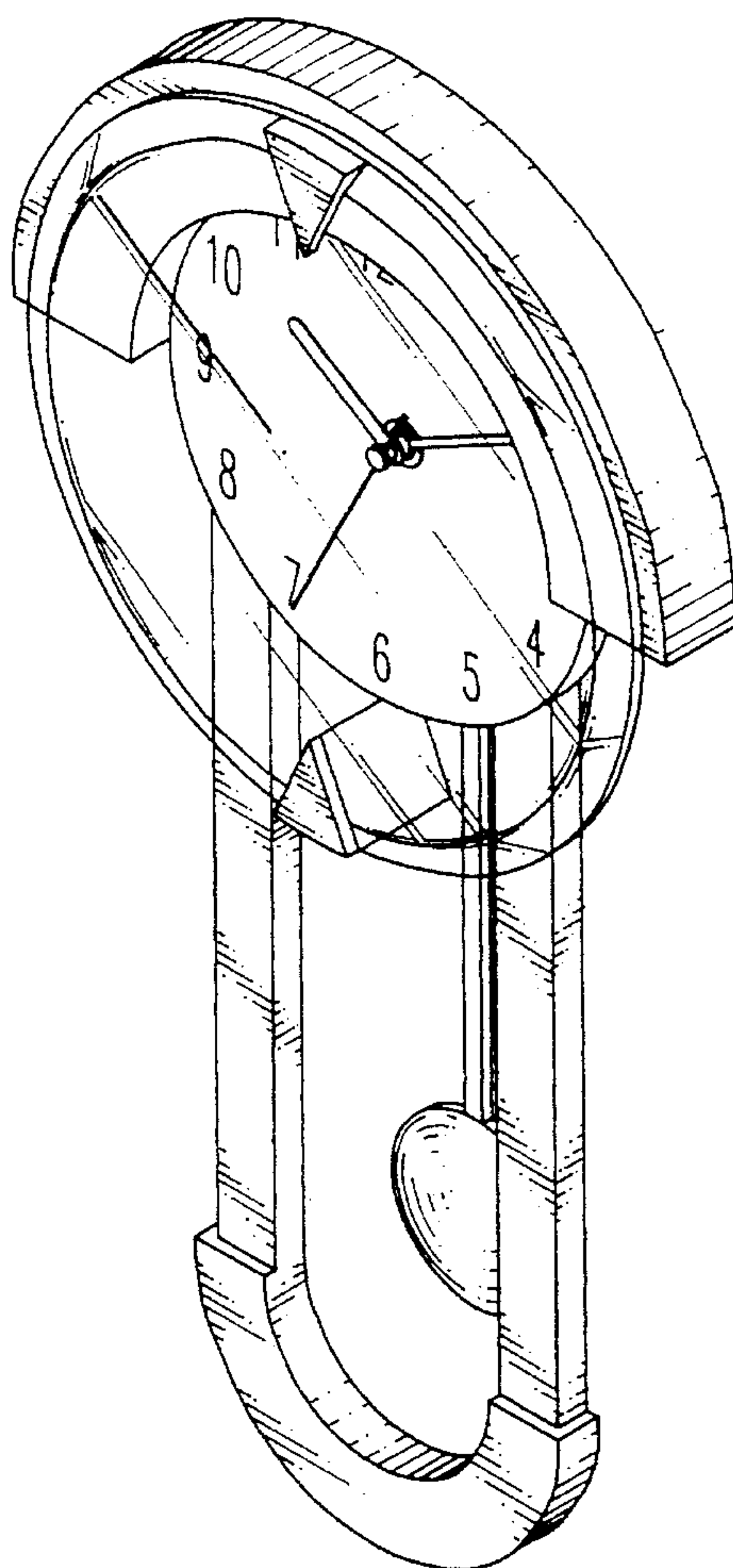
FIG. 3 is a rear elevational view thereof;

FIG. 4 is a right elevational view thereof, the left side view being a mirror image;

FIG. 5 is a top plane view thereof; and,

FIG. 6 is a bottom plane view thereof.

1 Claim, 3 Drawing Sheets



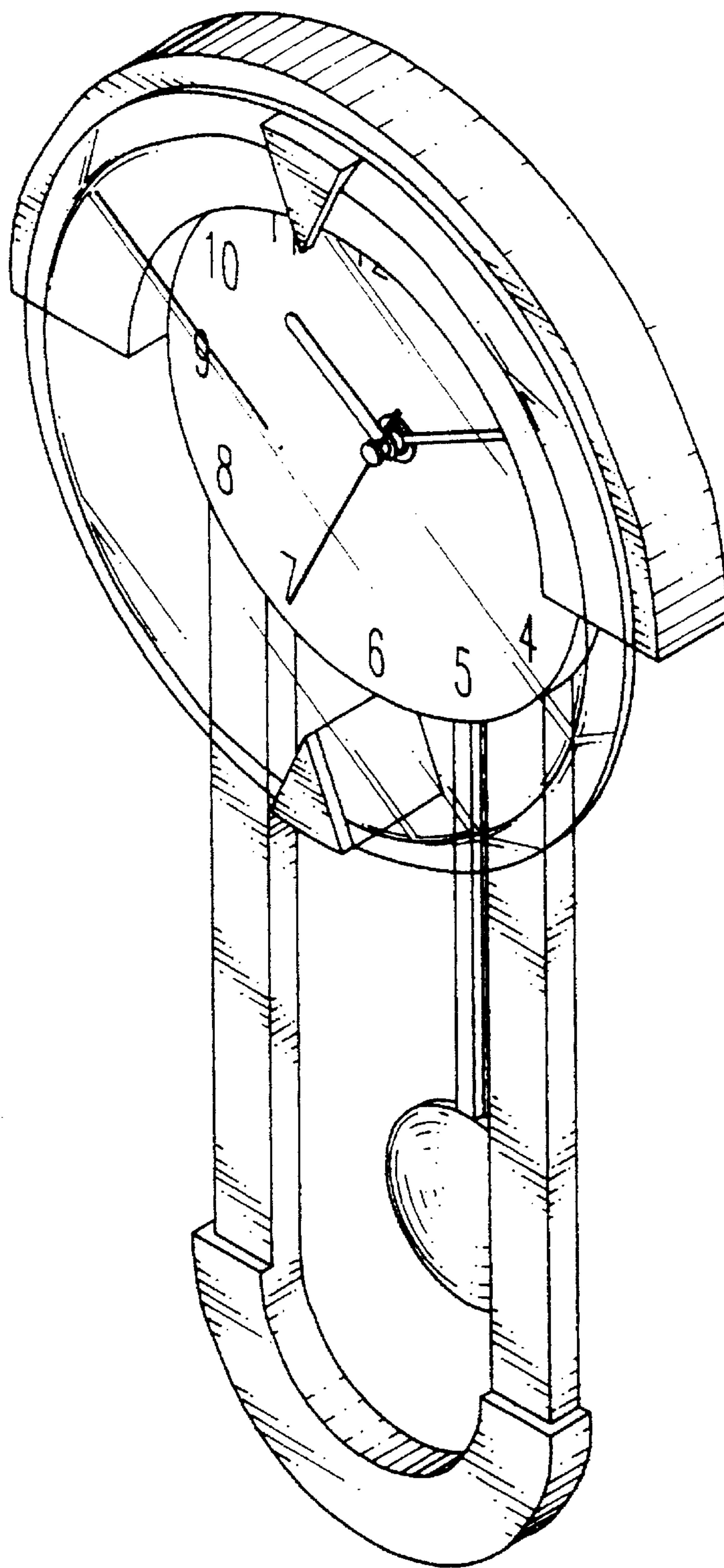


FIG. 1

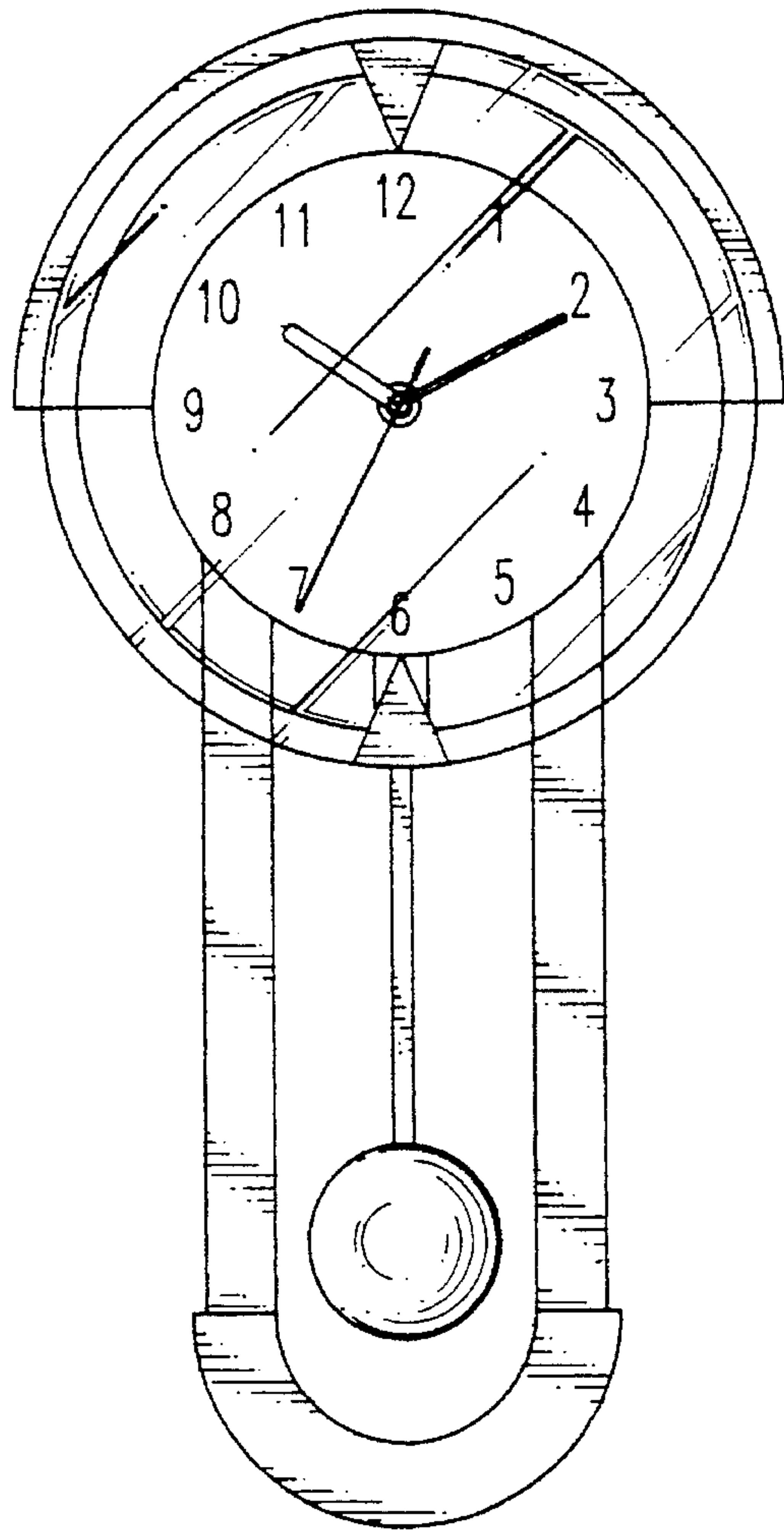


FIG. 2

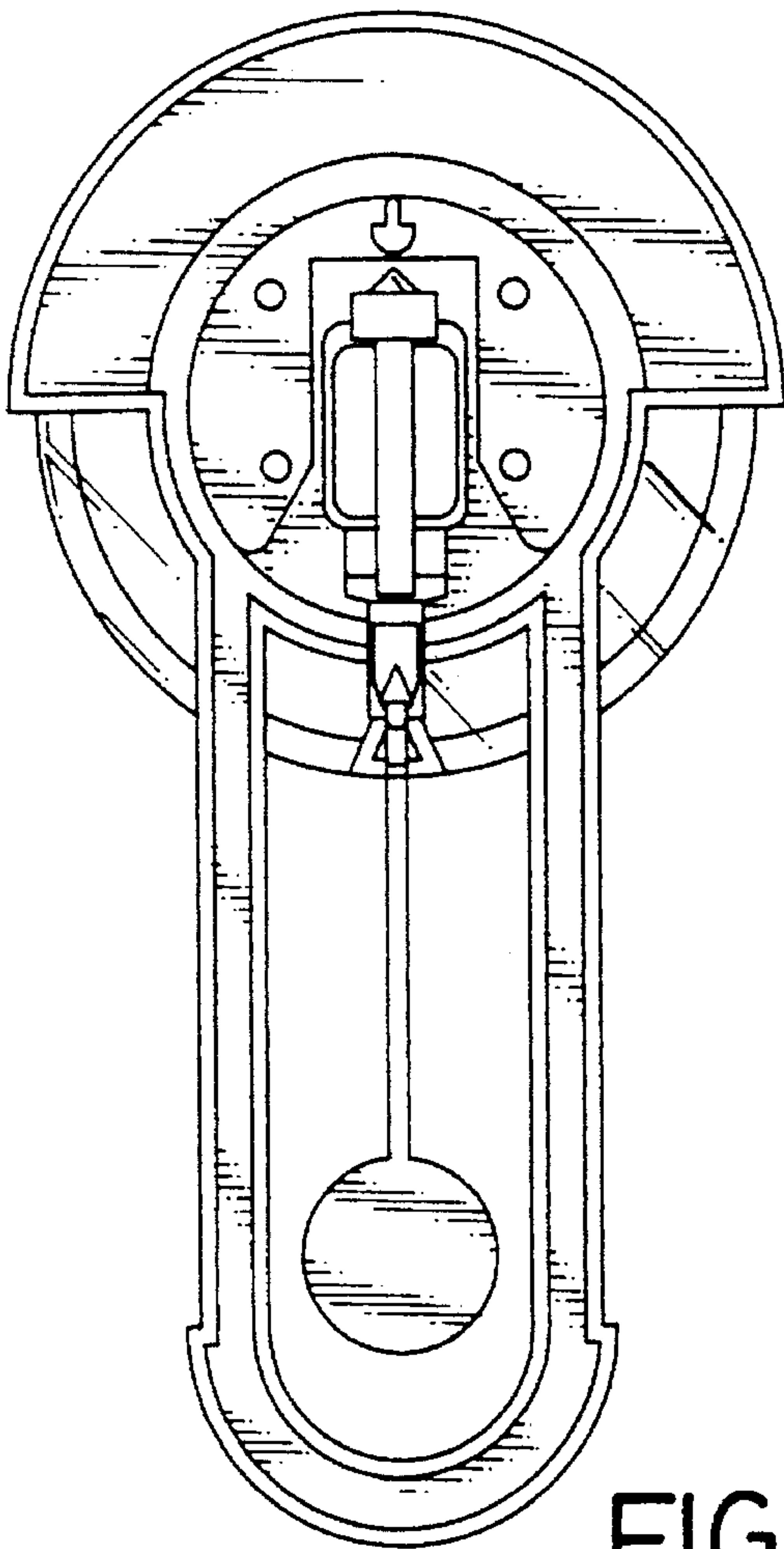


FIG. 3

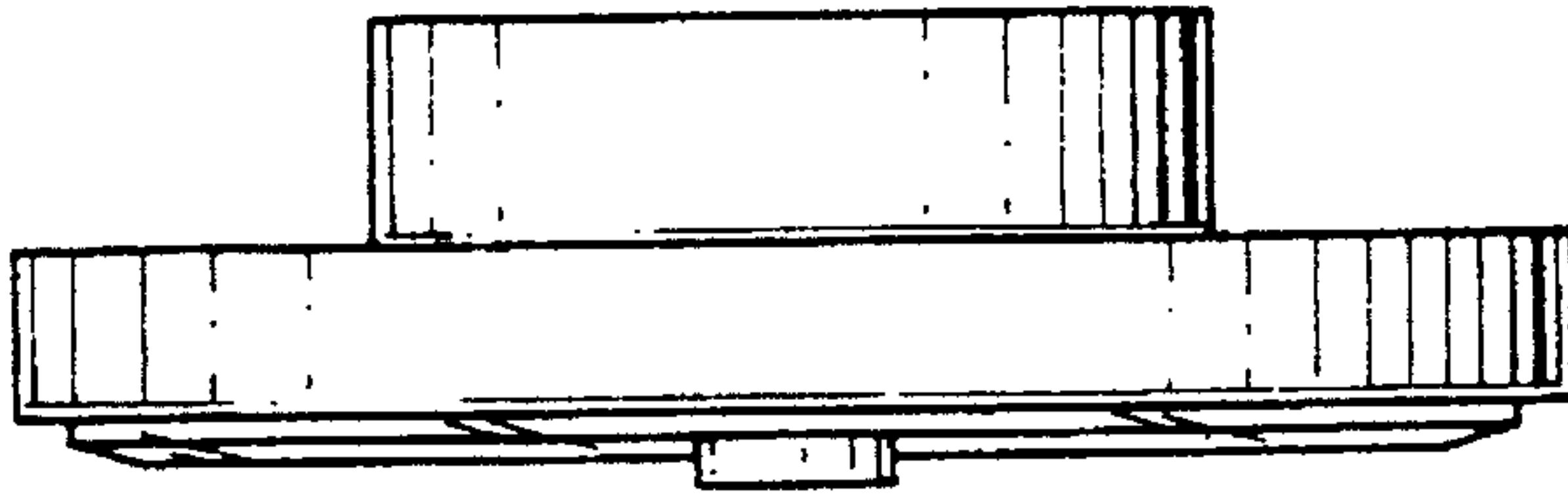


FIG. 5

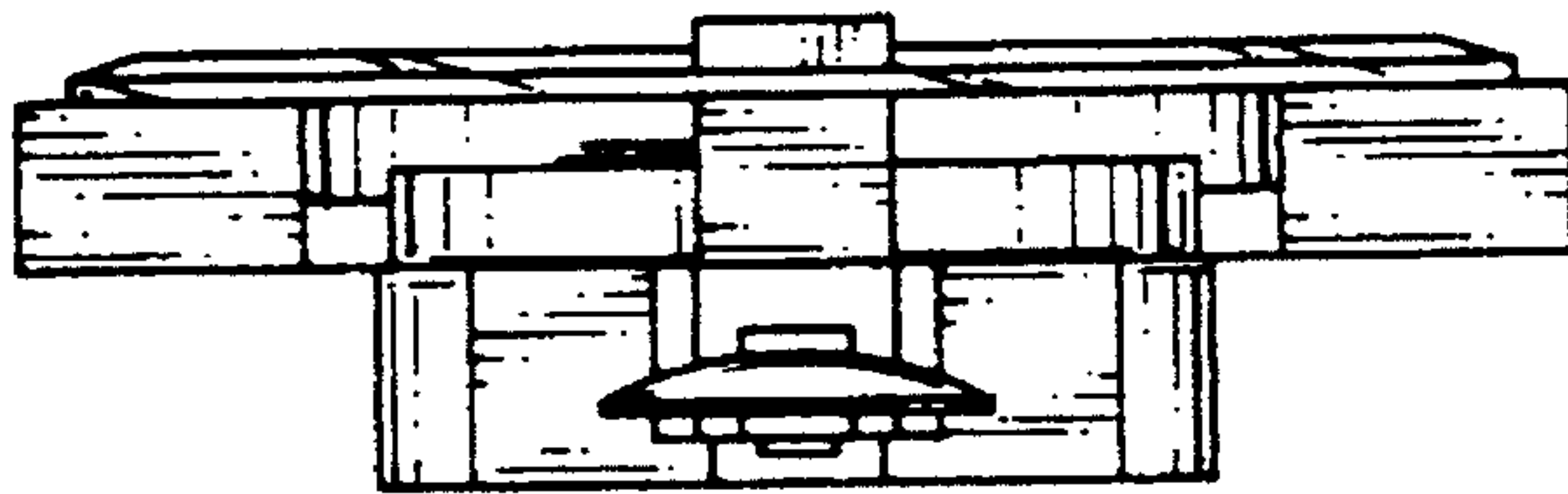


FIG. 6

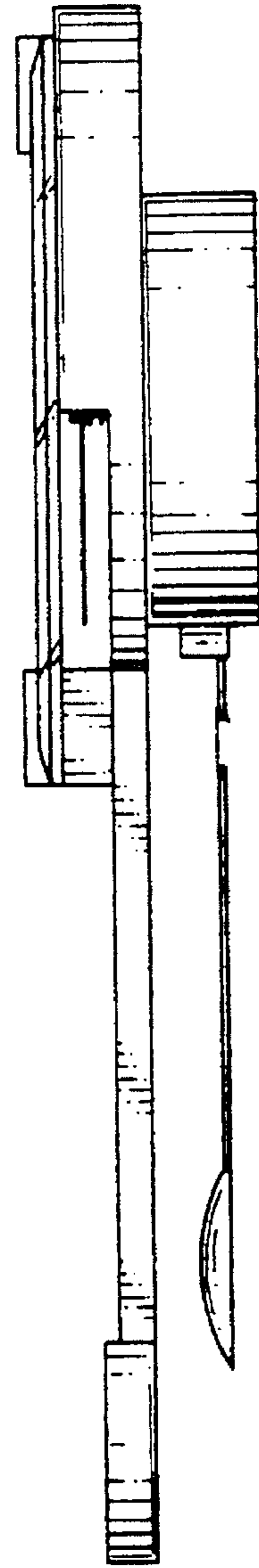


FIG. 4