



US00D376318S

United States Patent [19]

[11] **Patent Number: Des. 376,318**

Hildebrand

[45] **Date of Patent: **Dec. 10, 1996**

[54] **WIDE ERGONOMIC TRIGGER FOR A TRIGGER SPRAYER**

3,209,949	10/1965	Gurtler	222/402.15
4,157,774	6/1979	Micallef	222/402.15
5,207,359	5/1993	Steijns	222/383.1
5,439,178	8/1995	Peterson	222/383.1

[75] Inventor: **George Hildebrand, O'Fallon, Mo.**

[73] Assignee: **Contico International, Inc., St. Louis, Mo.**

Primary Examiner—A. Hugo Word
Assistant Examiner—Robin V. Taylor
Attorney, Agent, or Firm—Howell & Haferkamp, L.C.

[**] Term: **14 Years**

[57] **CLAIM**

[21] Appl. No.: **43,775**

The ornamental design for a wide ergonomic trigger for a trigger sprayer, as shown and described.

[22] Filed: **Sep. 12, 1995**

DESCRIPTION

[52] U.S. Cl. **D9/448; D23/226**

[58] **Field of Search** D23/213, 223-230;
D9/448; D8/88; 222/402.1, 402.11, 402.15,
400.8, 382, 383.1; 169/88

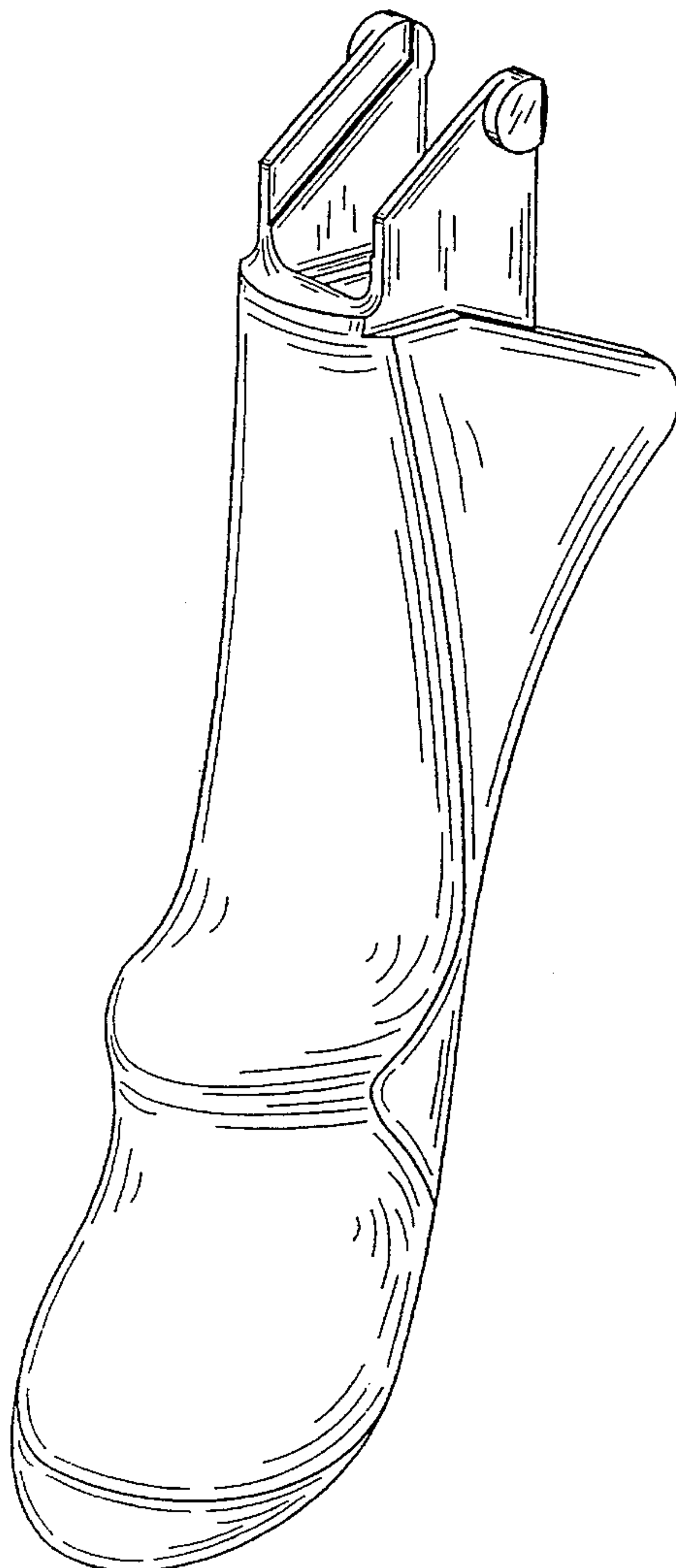
FIG. 1 is a perspective view of a wide ergonomic trigger for a trigger sprayer showing my new design;
FIG. 2 is a top plan view thereof;
FIG. 3 is a rear elevation view thereof;
FIG. 4 is a right side elevation view thereof, with the left side elevation view being a mirror image of the right side elevation view;
FIG. 5 is a front elevation view thereof; and,
FIG. 6 is a bottom plan view thereof.

[56] **References Cited**

U.S. PATENT DOCUMENTS

D. 44,414	7/1913	Schaefer	D8/88
D. 333,616	3/1993	Perkins	D9/448
2,879,925	3/1959	Remane	222/402.15
3,112,849	12/1963	Wallace	222/402.15

1 Claim, 2 Drawing Sheets



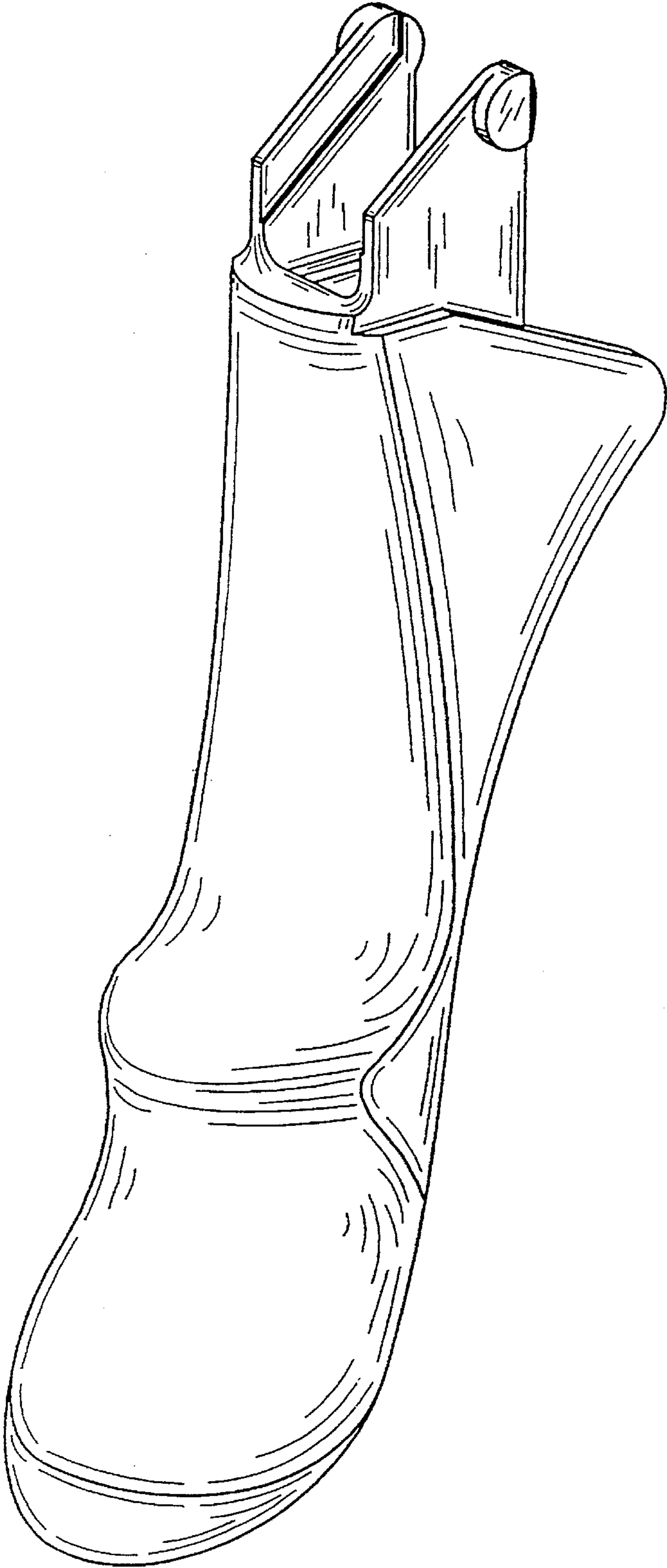


FIG. 1

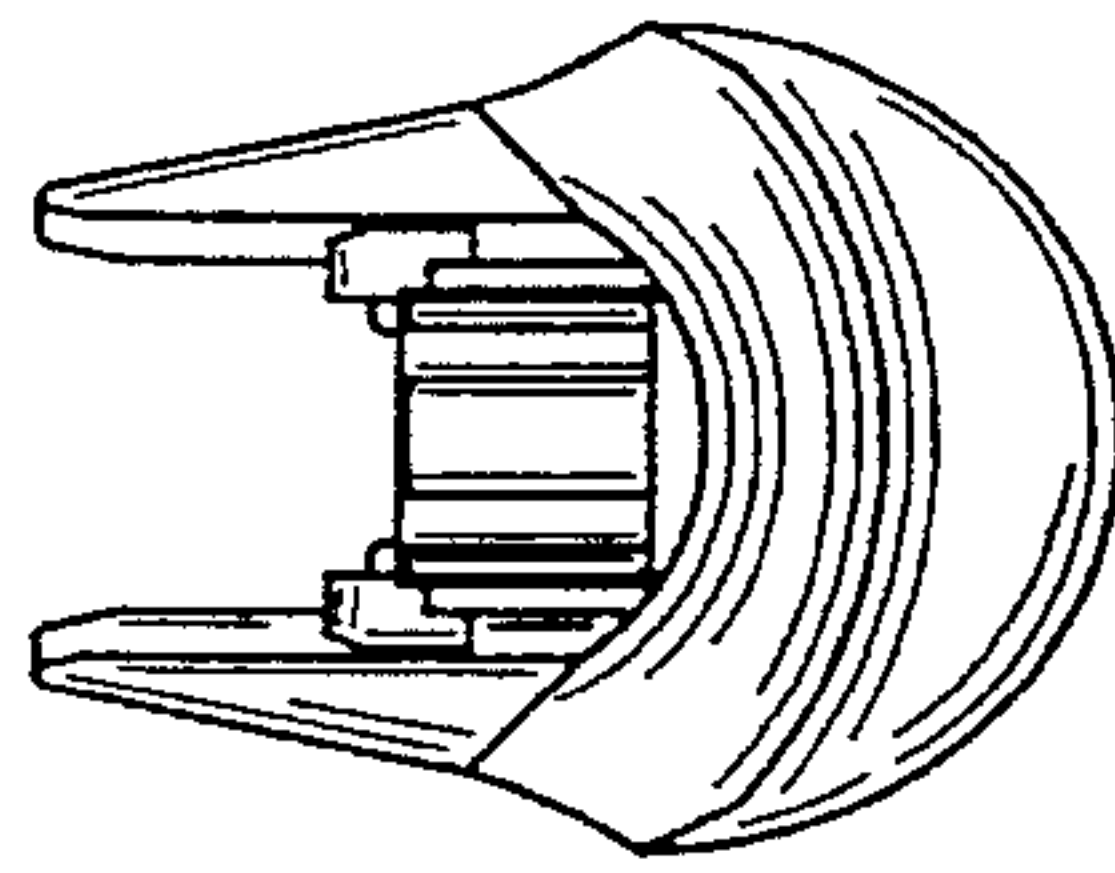


FIG. 2

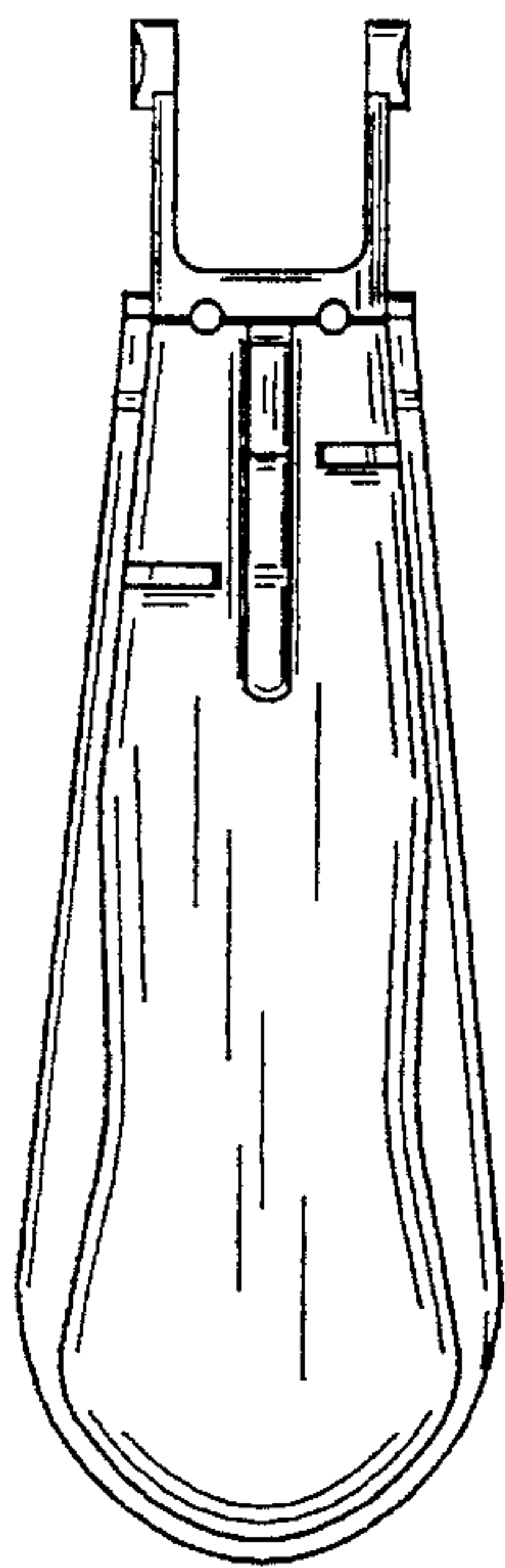


FIG. 3

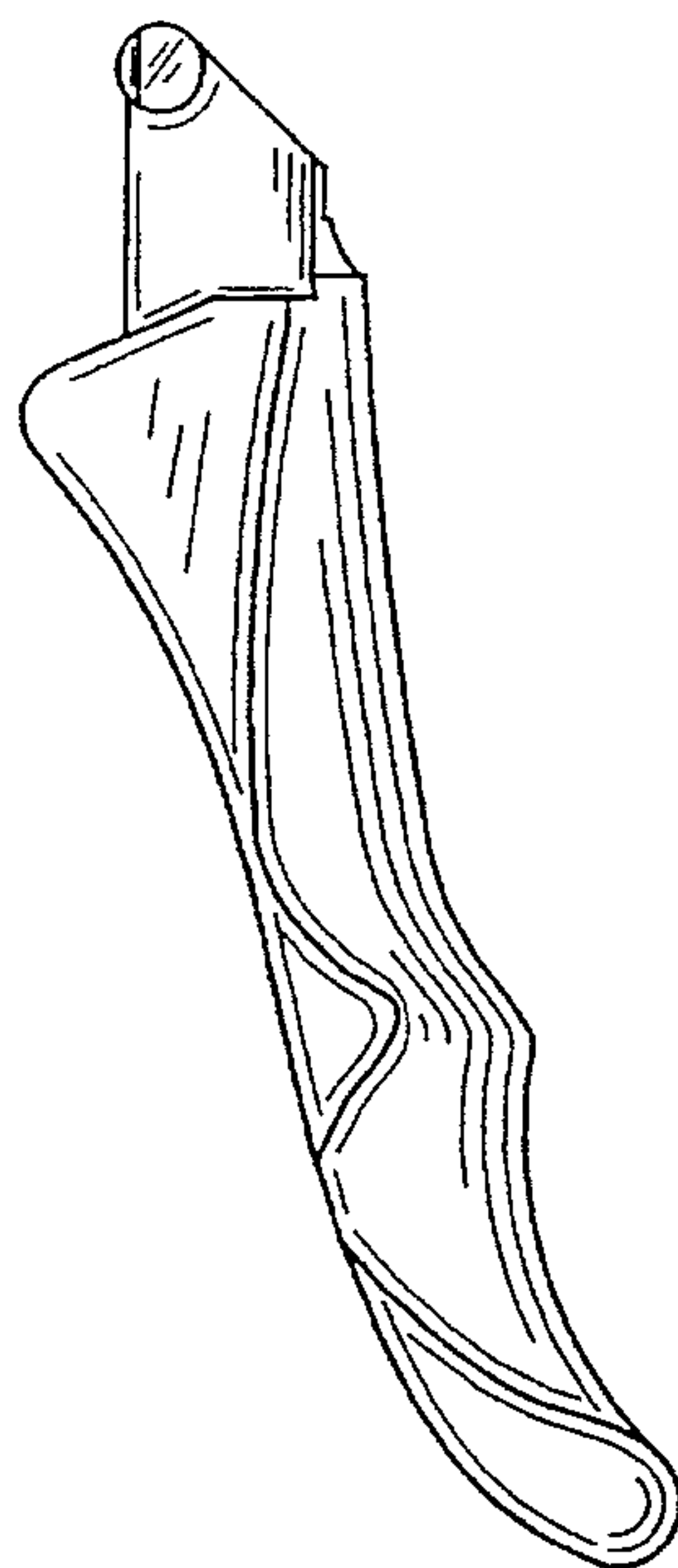


FIG. 4

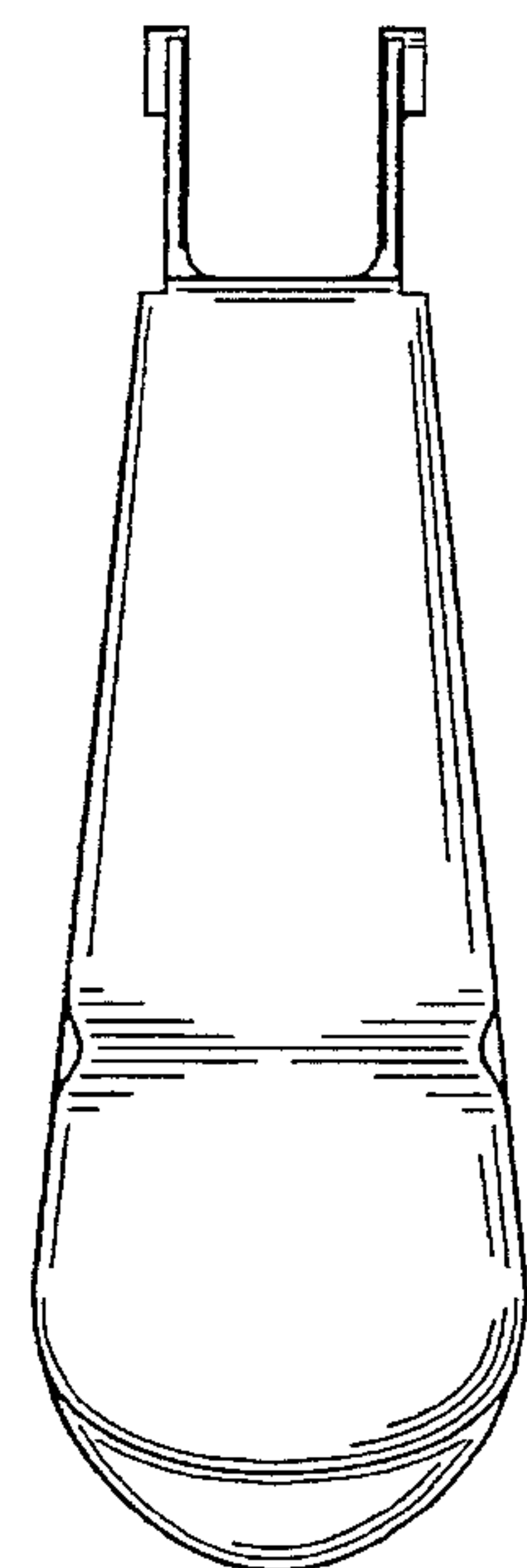


FIG. 5

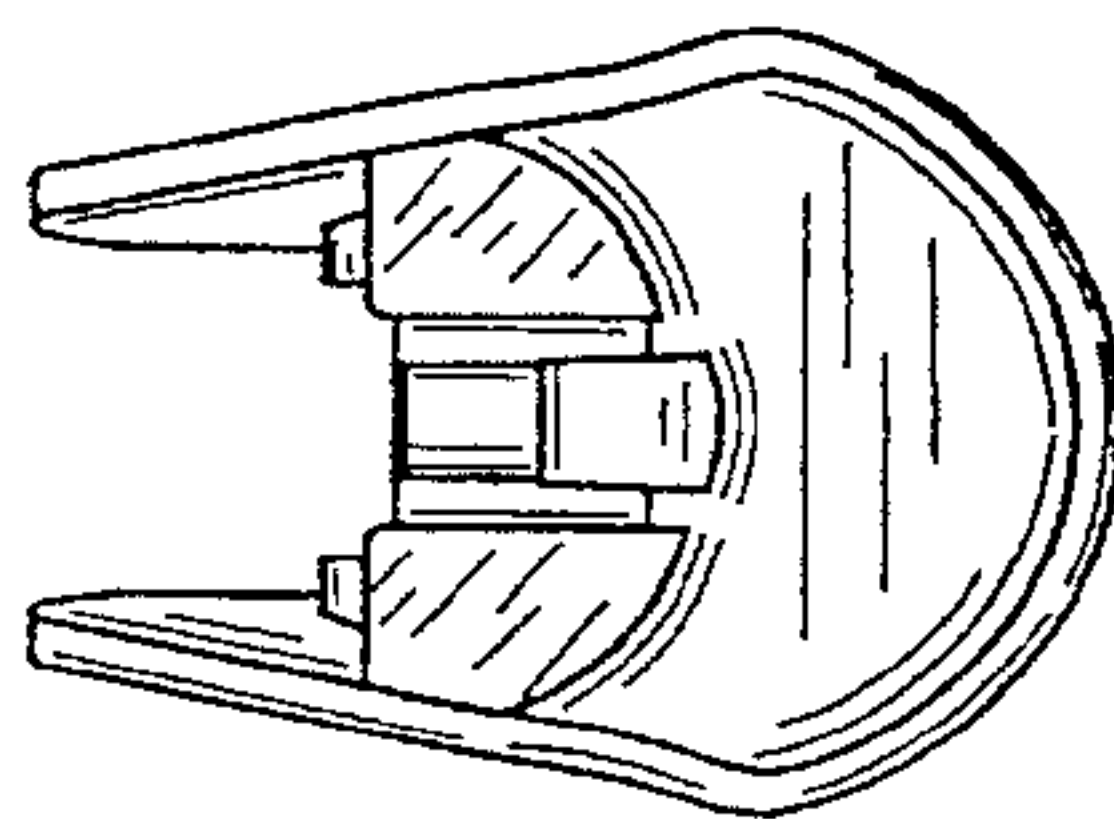


FIG. 6