



US00D376315S

United States Patent [19]

[11] **Patent Number: Des. 376,315**

Gumowitz et al.

[45] **Date of Patent: ***Dec. 10, 1996**

[54] **BAKING PAN**

5,076,438 12/1991 Aronson 206/557

[75] Inventors: **Arnold Gumowitz**, Great Neck; **Gary Gumowitz**, New York, both of N.Y.

OTHER PUBLICATIONS

Reynolds Foil Containers catalog, dated May 1, 1969, p. 20-5-1, Aluminium foil Containers, 400 series.

[73] Assignee: **Seymour's Bakery**, New York, N.Y.

Primary Examiner—Sandra L. Morris
Assistant Examiner—Nanda Bondade
Attorney, Agent, or Firm—Brumbaugh, Graves, Donohue & Raymond

[*] Notice: The portion of the term of this patent subsequent to Mar. 5, 2010, has been disclaimed.

[**] Term: **14 Years**

[57] CLAIM

[21] Appl. No.: **32,399**

The ornamental design for a baking pan, as shown and described.

[22] Filed: **Dec. 19, 1994**

[52] U.S. Cl. **D9/430; D9/433**

DESCRIPTION

[58] **Field of Search** D7/354, 359; D9/424, D9/428, 432, 433; 99/324, 432, 646 C, DIG. 15; 206/557, 562, 563

FIG. 1 is perspective view of a baking pan showing our new design;

FIG. 2 is a front elevational view thereof, the rear view being identical;

FIG. 3 is a top plan view thereof;

FIG. 4 is a side elevational view thereof, the opposite side being identical; and,

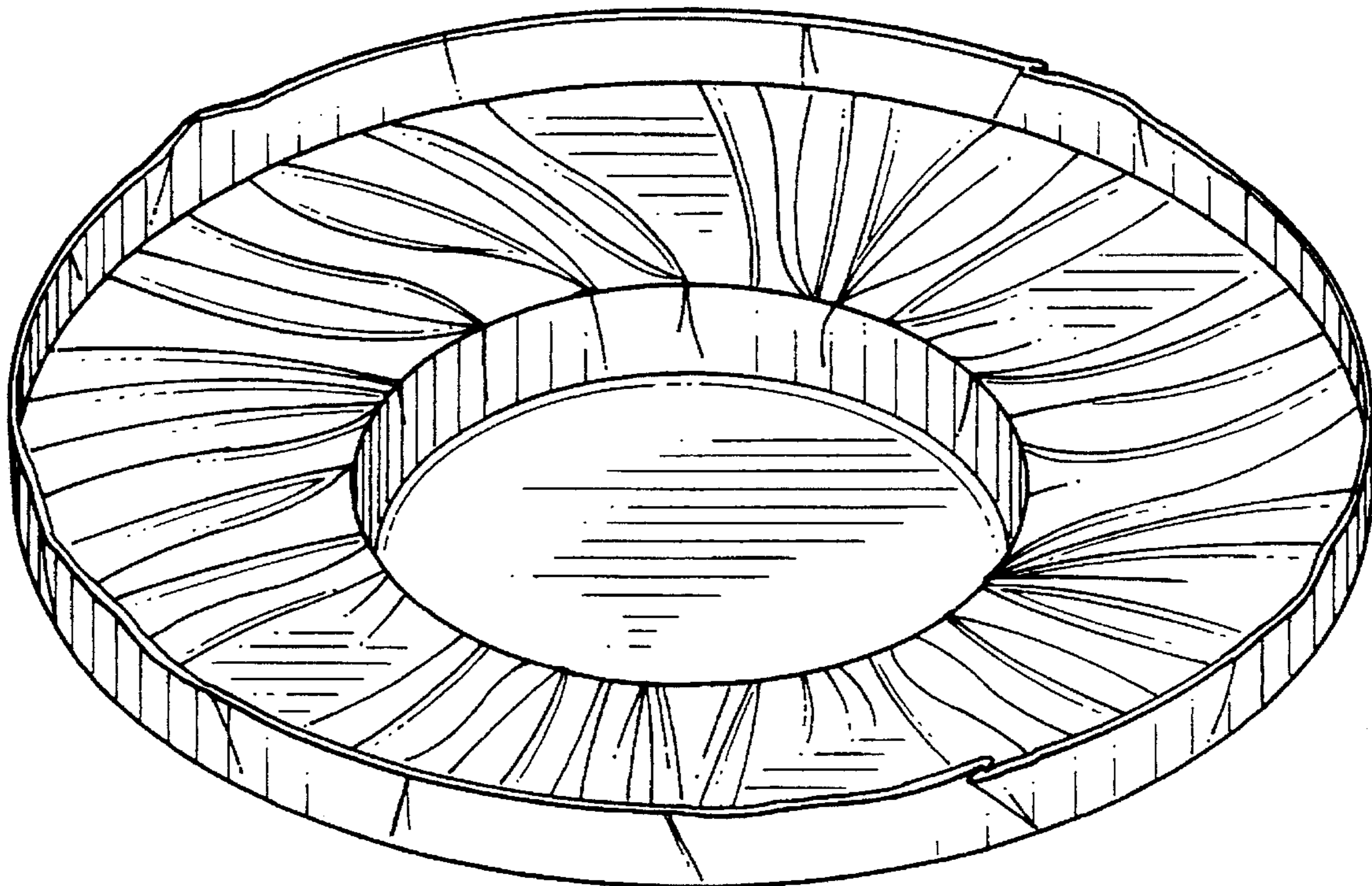
FIG. 5 is a bottom pan view thereof.

[56] References Cited

U.S. PATENT DOCUMENTS

D. 229,824	11/1974	Erickson	D9/434
D. 297,297	8/1988	Lacey	D7/354
D. 321,809	11/1991	Zobrist	D7/354 X
1,064,108	6/1913	Sundee	206/563 X

1 Claim, 2 Drawing Sheets



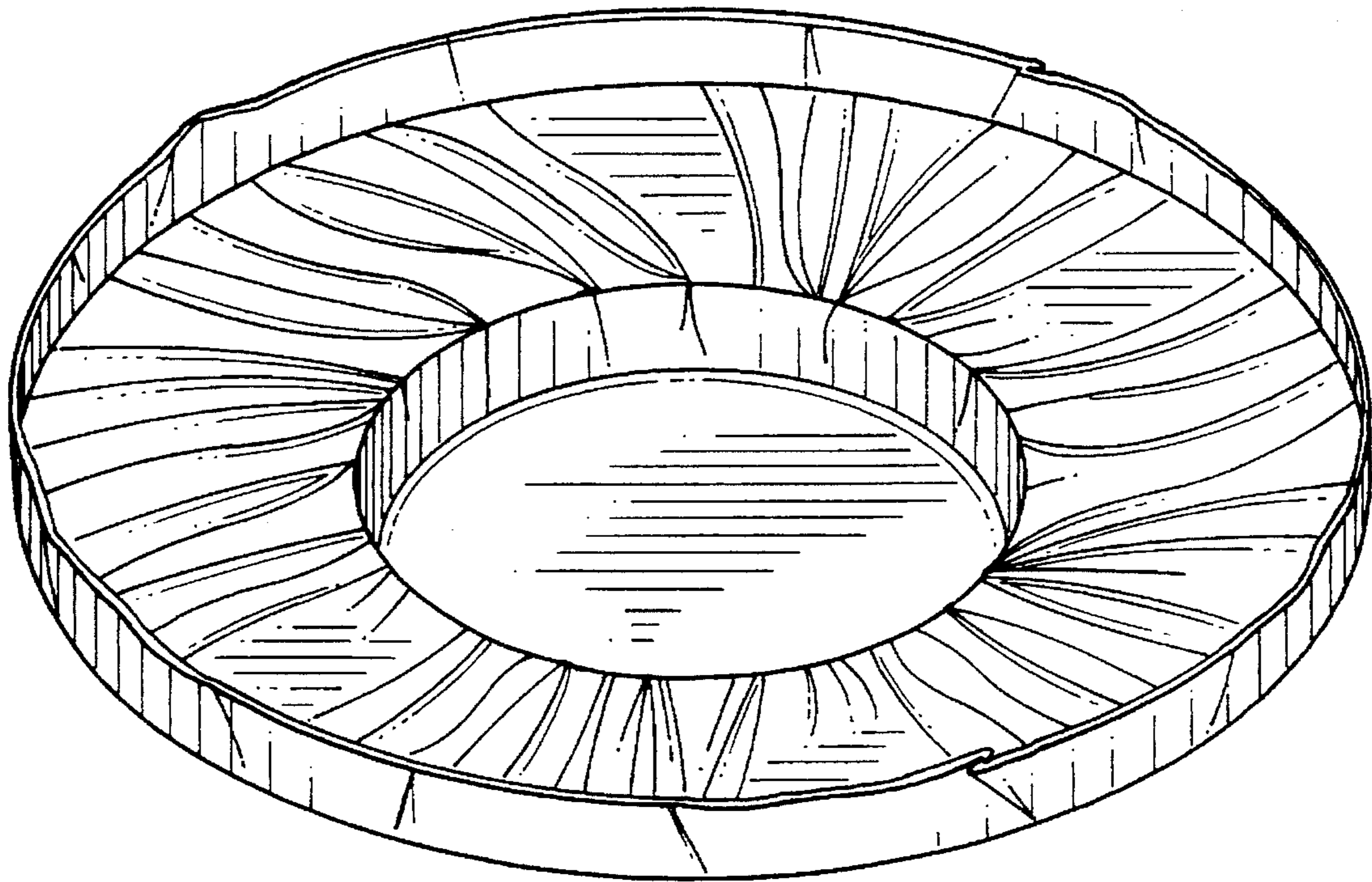


FIG. 1



FIG. 2

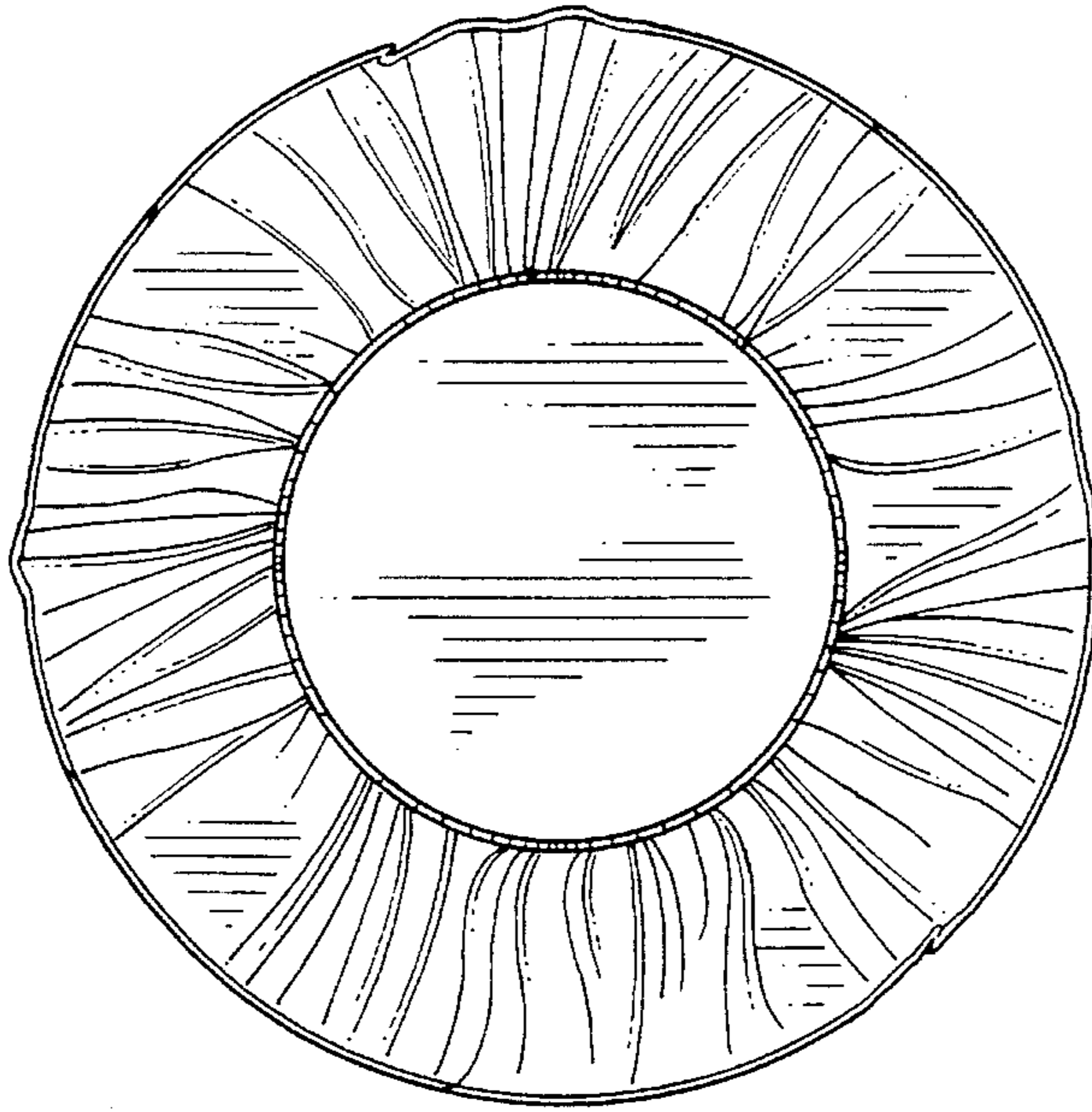


FIG. 3

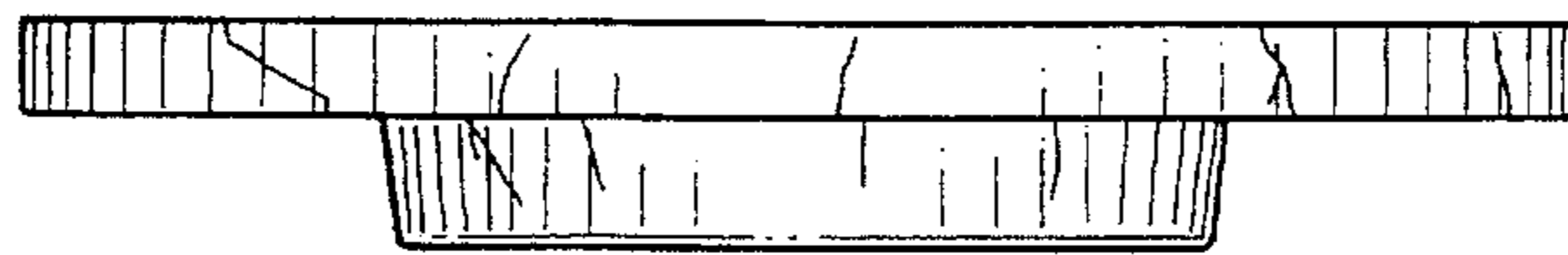


FIG. 4

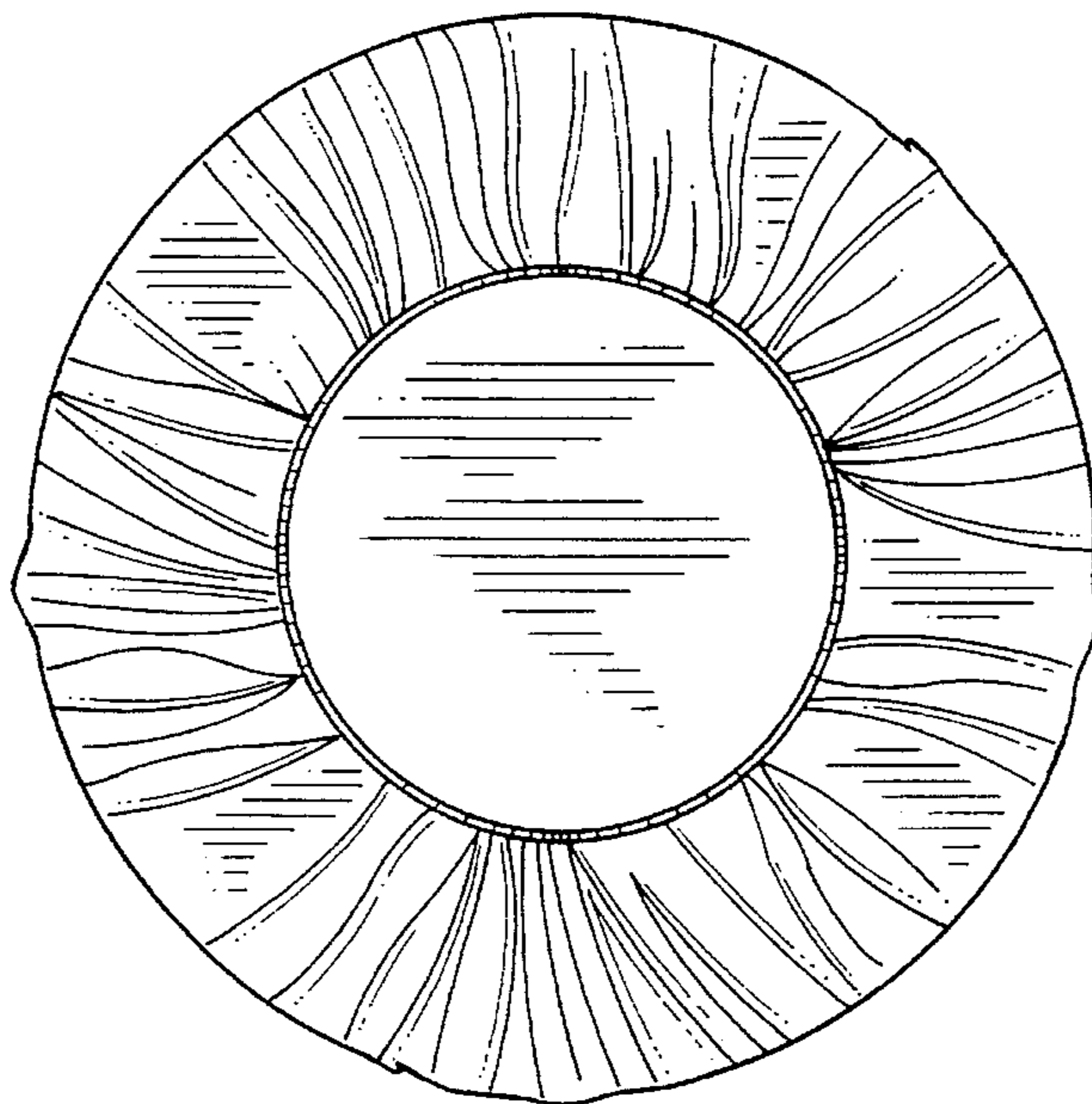


FIG. 5