



US00D376313S

# United States Patent [19]

[11] Patent Number: **Des. 376,313**

**Napolitano**

[45] Date of Patent: **\*\*Dec. 10, 1996**

[54] **PROTECTIVE CASING FOR COLLECTIBLE TOY FIGURES HOUSED WITHIN A BUBBLE PACKAGE**

4,408,693	10/1983	Brewaeys et al. ....	206/461
4,697,700	10/1987	Weissman .	
4,884,718	12/1989	Leahy .	
5,188,222	3/1993	Pierce .....	206/461 X

[76] Inventor: **Alphonse Napolitano**, 741 Raymond Dr., Lewiston, N.Y. 14092

### OTHER PUBLICATIONS

[\*\*] Term: **14 Years**

Techform Inc. Nov. 1982.  
Modern Packaging, 1941, p. 300.

[21] Appl. No.: **49,236**

*Primary Examiner*—Prabhakar G. Deshmukh  
*Attorney, Agent, or Firm*—George R. McGuire

[22] Filed: **Jan. 22, 1996**

[52] U.S. Cl. .... **D9/415**

### [57] CLAIM

[58] **Field of Search** ..... D9/415, 418, 341, D9/456; D21/59, 91; 206/461-471, 806, 495, 45.34, 45.31, 579

The ornamental design for protective casing for collectible toy figures housed within a bubble package, as shown and described.

### [56] References Cited

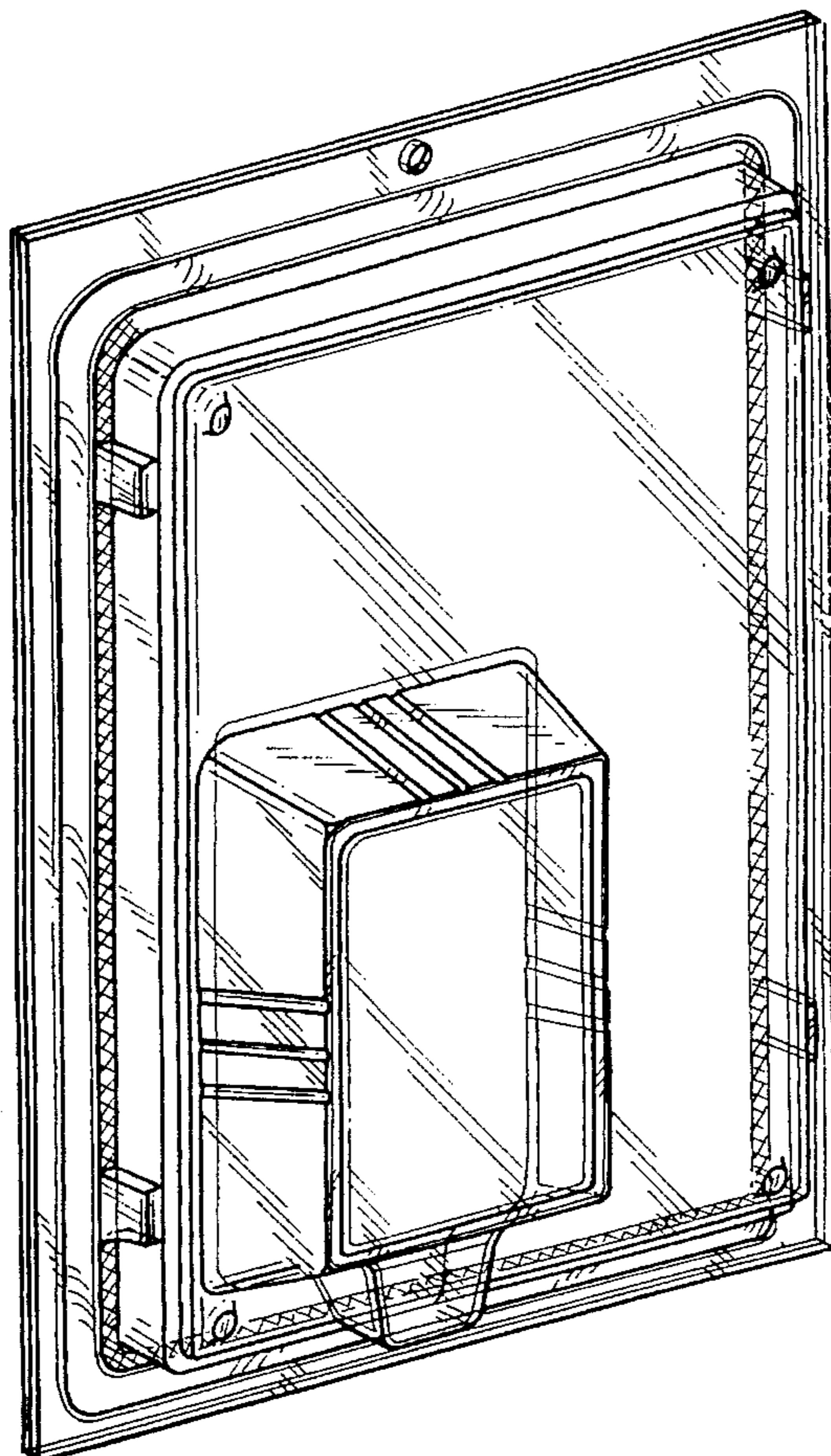
### DESCRIPTION

#### U.S. PATENT DOCUMENTS

FIG. 1 is a perspective view of a protective casing for collectible toy figures housed within a bubble package showing my new design;  
FIG. 2 is a top plan view thereof;  
FIG. 3 is a left side elevational view thereof;  
FIG. 4 is a front elevational view thereof;  
FIG. 5 is a right side elevational view thereof;  
FIG. 6 is a bottom plan view thereof; and,  
FIG. 7 is a rear elevational view thereof.

D. 209,867	1/1968	Sigoloff .	
D. 266,829	11/1982	Yoshizawa et al. ....	D9/415
D. 287,467	12/1986	Mallon .	
D. 306,185	2/1990	Ukisu .	
D. 307,554	5/1990	McAlister, Jr. ....	D9/415
D. 343,356	1/1994	Wittman .	
D. 349,457	8/1994	Nottingham et al. .	
D. 353,092	12/1994	Green .....	D9/415
3,129,817	4/1964	Rohdin .....	206/462
3,394,802	7/1968	Hershaft .....	206/461 X
4,261,462	4/1981	Wysocki .....	206/462 X

**1 Claim, 3 Drawing Sheets**



*FIG. 1*

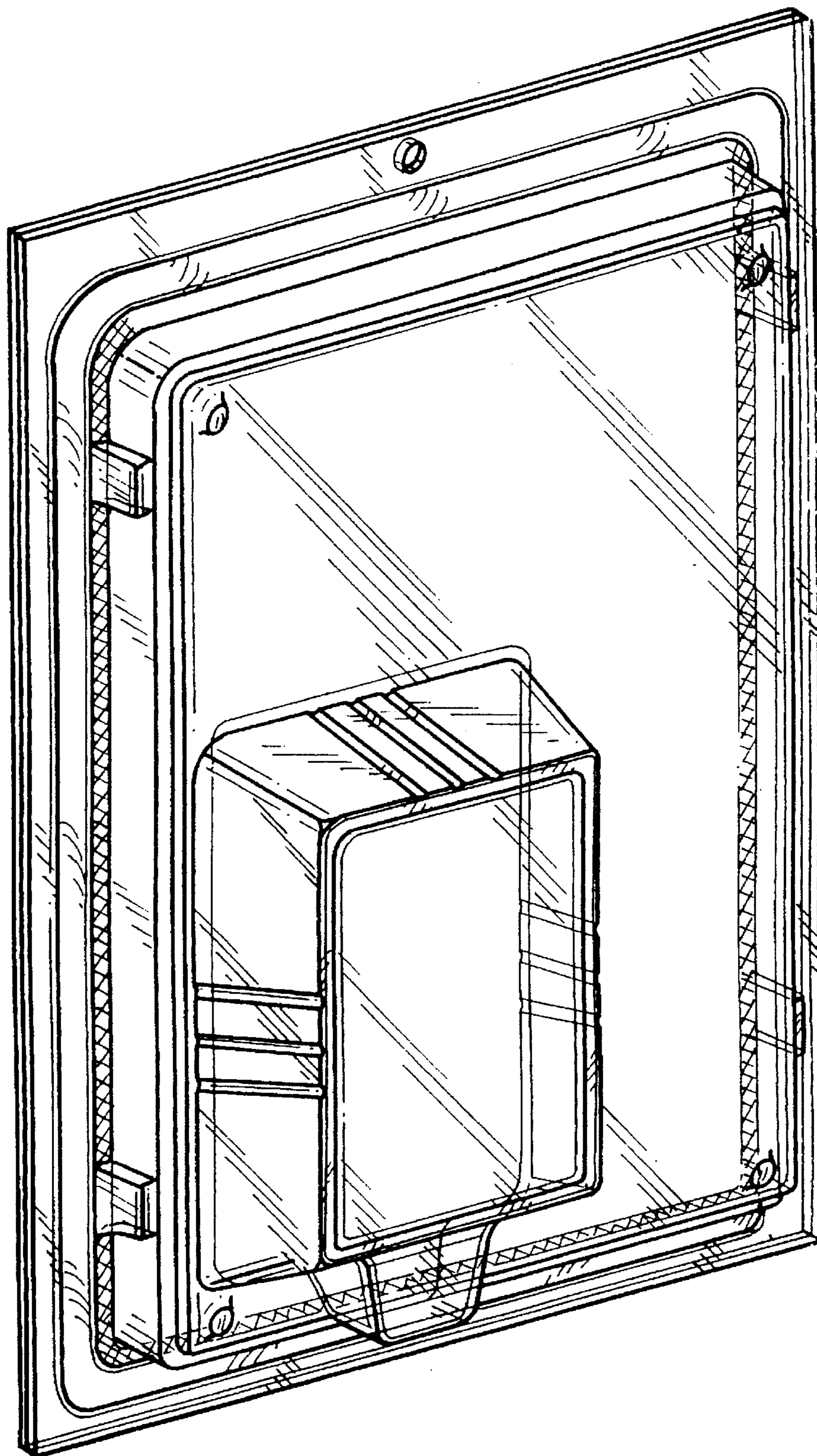




FIG. 2

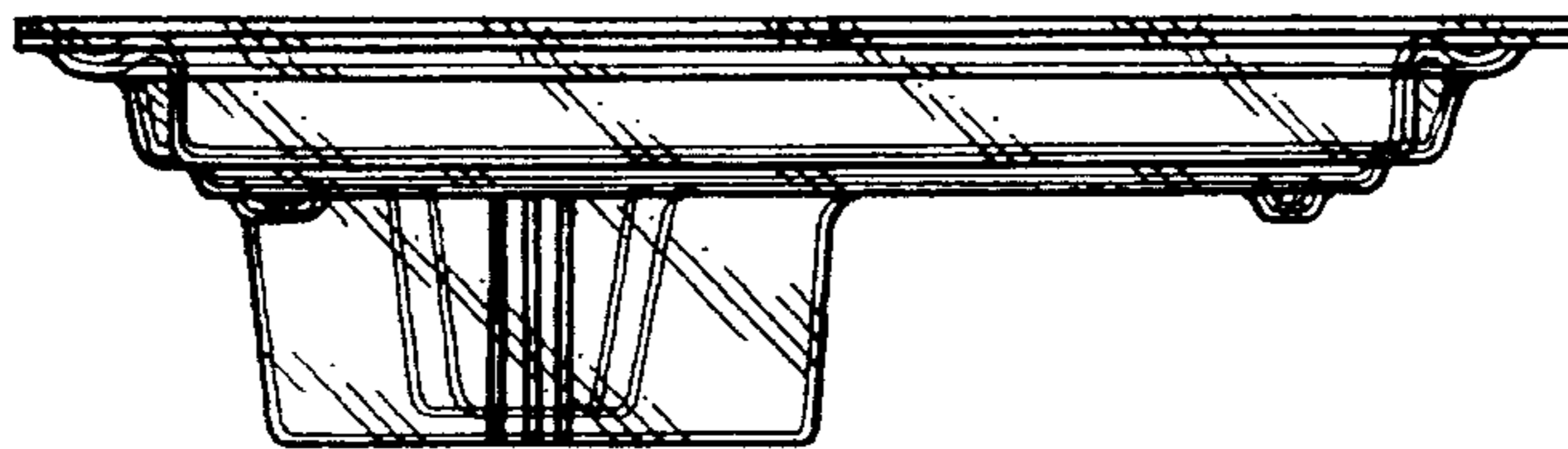


FIG. 3

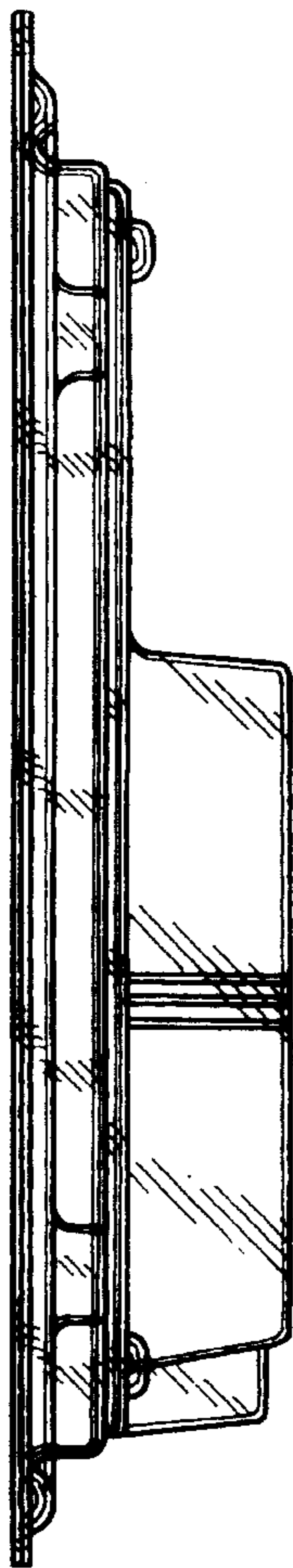


FIG. 4

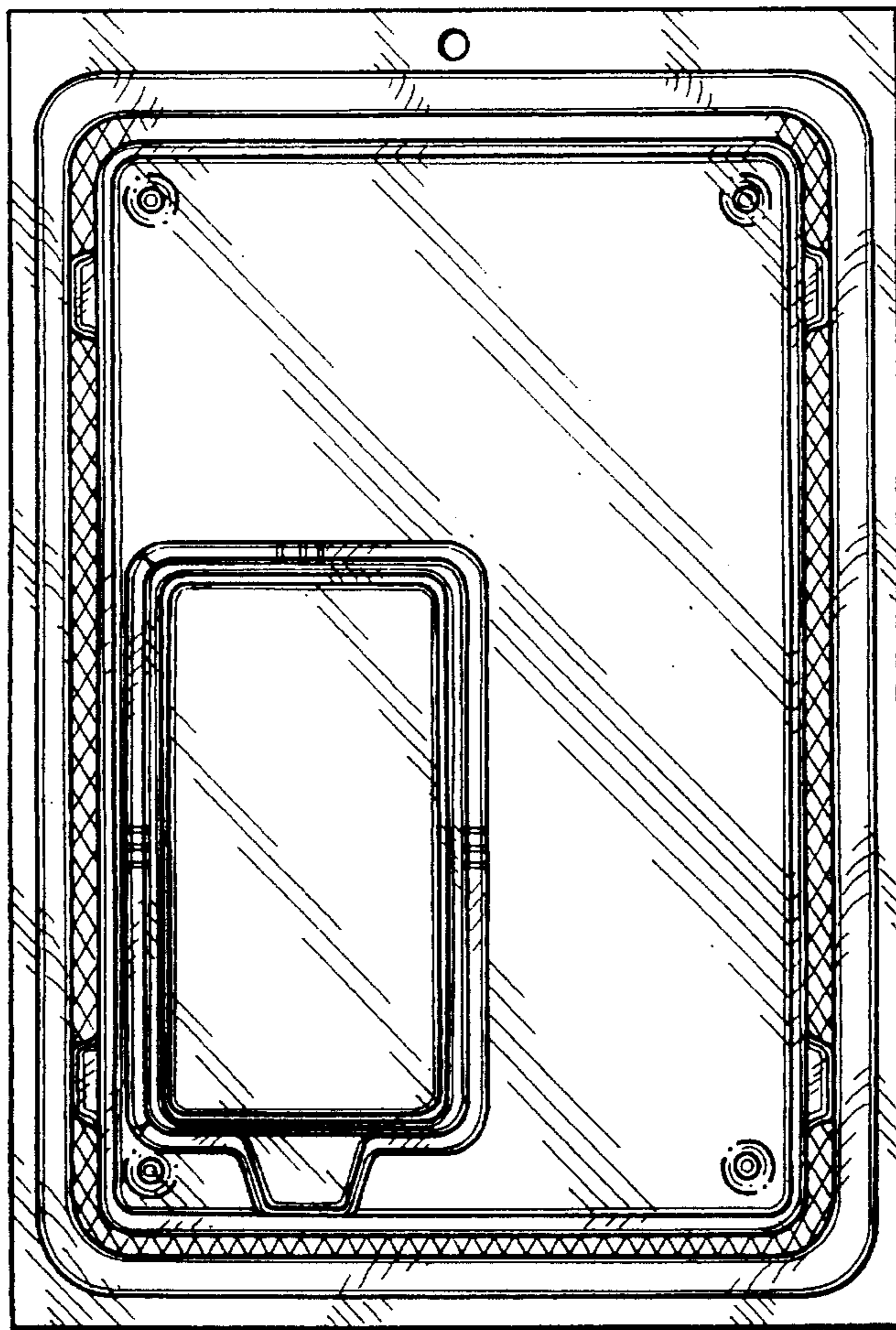


FIG. 5

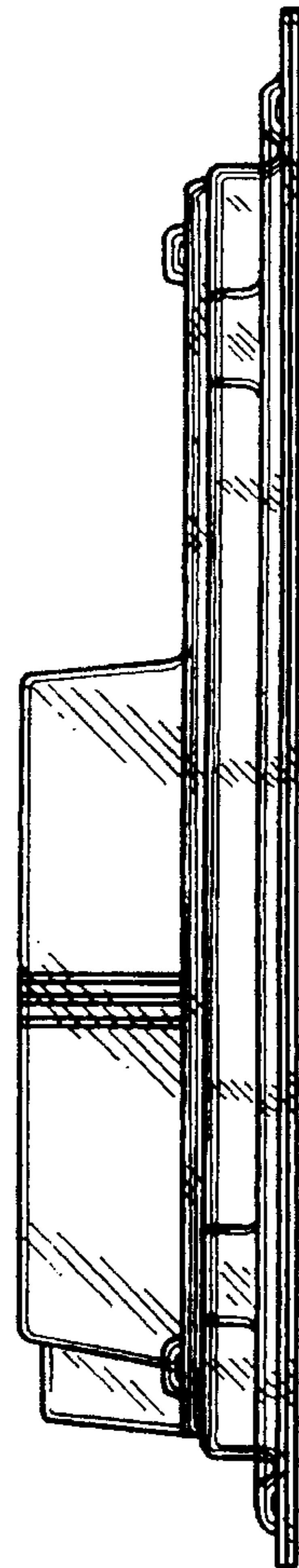
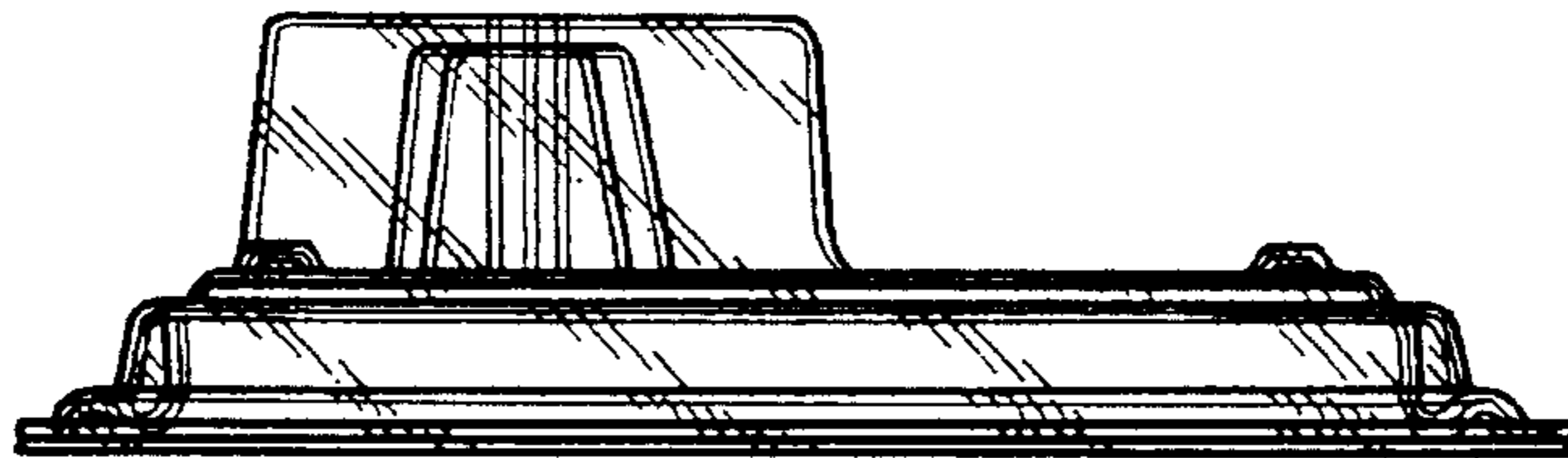


FIG. 6



*FIG. 7*

