



US00D376311S

# United States Patent [19]

[11] Patent Number: **Des. 376,311**

**Burton**

[45] Date of Patent: **\*\*Dec. 10, 1996**

[54] **CARTON FOR HOLDING FINGER FOOD AND SAUCE**

*Attorney, Agent, or Firm*—Shlesinger Fitzsimmons Shlesinger

[76] Inventor: **Aaron S. Burton**, 416 Kendall Rd., Churchville, N.Y. 14428

[57] **CLAIM**

[\*\*] Term: **14 Years**

The ornamental design for a carton for holding finger food and sauce, as shown and described.

[21] Appl. No.: **48,009**

**DESCRIPTION**

[22] Filed: **Dec. 18, 1995**

[52] U.S. Cl. .... **D9/347**

[58] Field of Search ..... D7/602, 619; D9/341, D9/347, 348, 418, 432; D19/77, 78; 220/503, 505; 229/120.38, 902, 904, 906; 206/214, 371

FIG. 1 is a top plan view of a carton for holding finger food and sauce showing my new design; FIG. 2 is a bottom plan view thereof; FIG. 3 is a front elevational view thereof; FIG. 4 is a right side elevational view thereof, the left side being a mirror image of the right side; FIG. 5 is a perspective view thereof; FIG. 6 is a top plan view of an alternate embodiment of FIG. 1; FIG. 7 is a bottom plan view of FIG. 6; FIG. 8 is a front elevational view of FIG. 6; FIG. 9 is a right end elevational view of FIG. 6, the left side being a mirror image of the right side; and, FIG. 10 is a perspective view of FIG. 6.

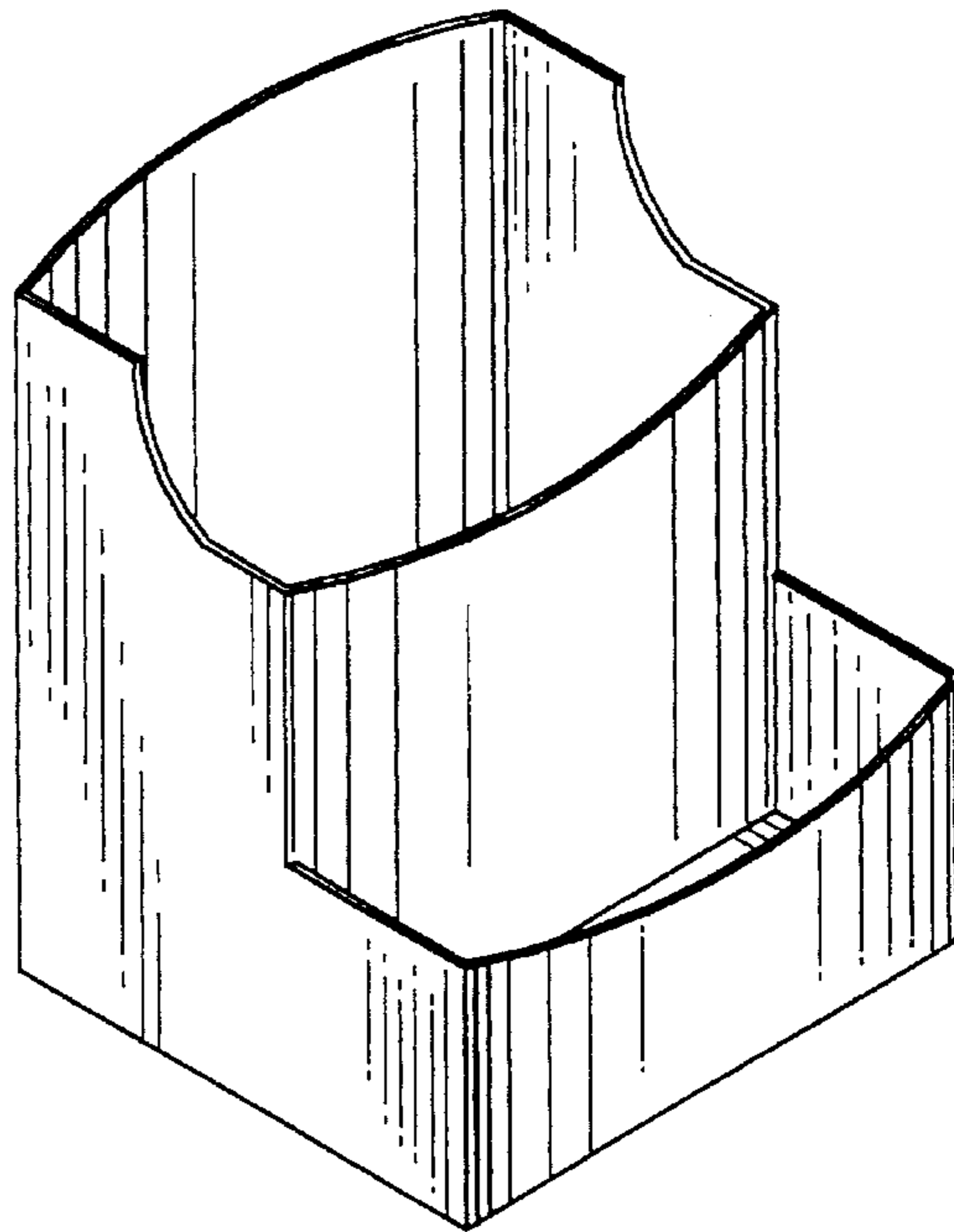
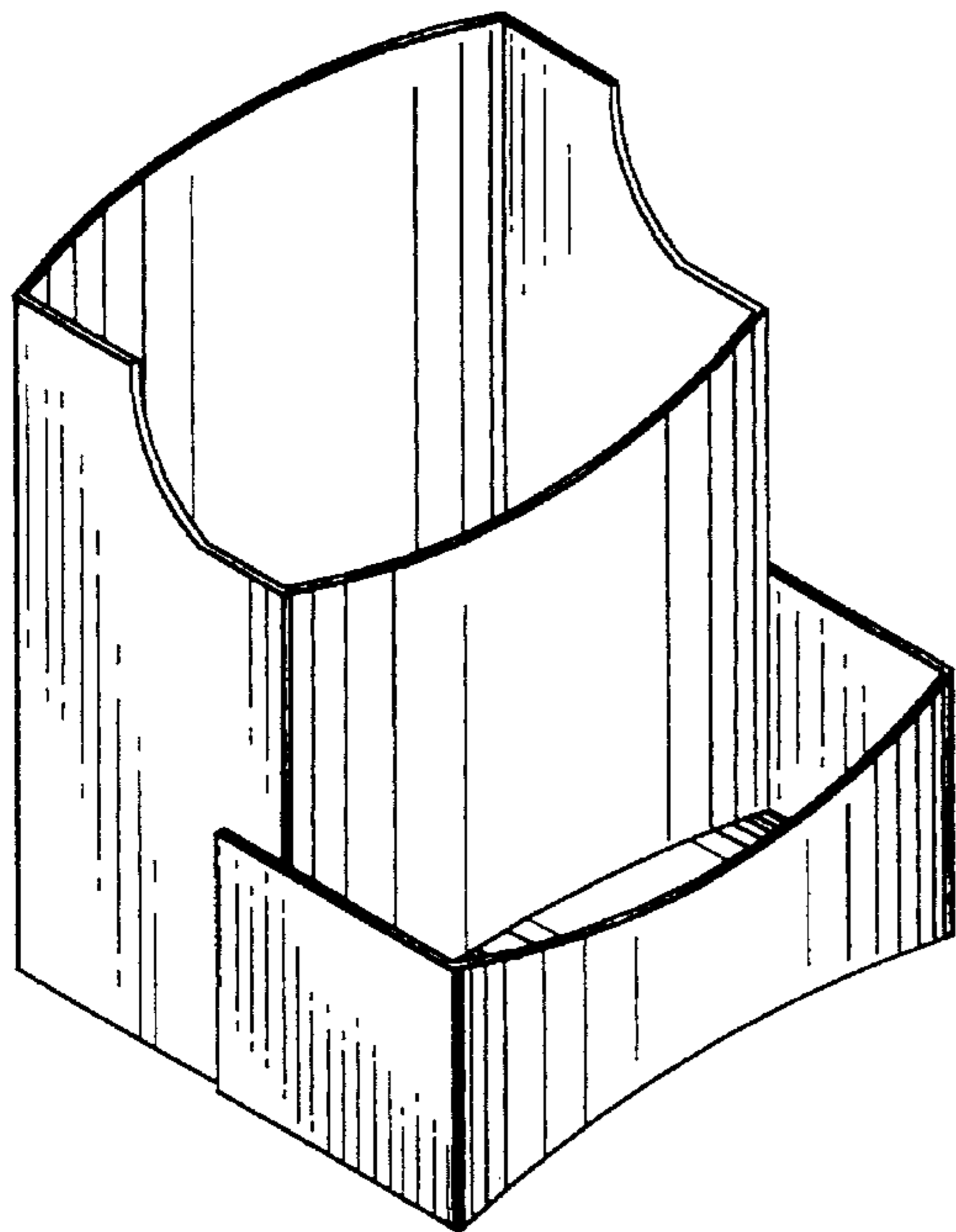
[56] **References Cited**

**U.S. PATENT DOCUMENTS**

D. 305,304	1/1990	McCaleb	.....	D9/418
4,955,528	9/1990	Schluckebier	.....	229/902 X
5,417,364	5/1995	Shaw	.....	229/904 X

*Primary Examiner*—Sandra L. Morris  
*Assistant Examiner*—Nanda Bondade

**1 Claim, 2 Drawing Sheets**



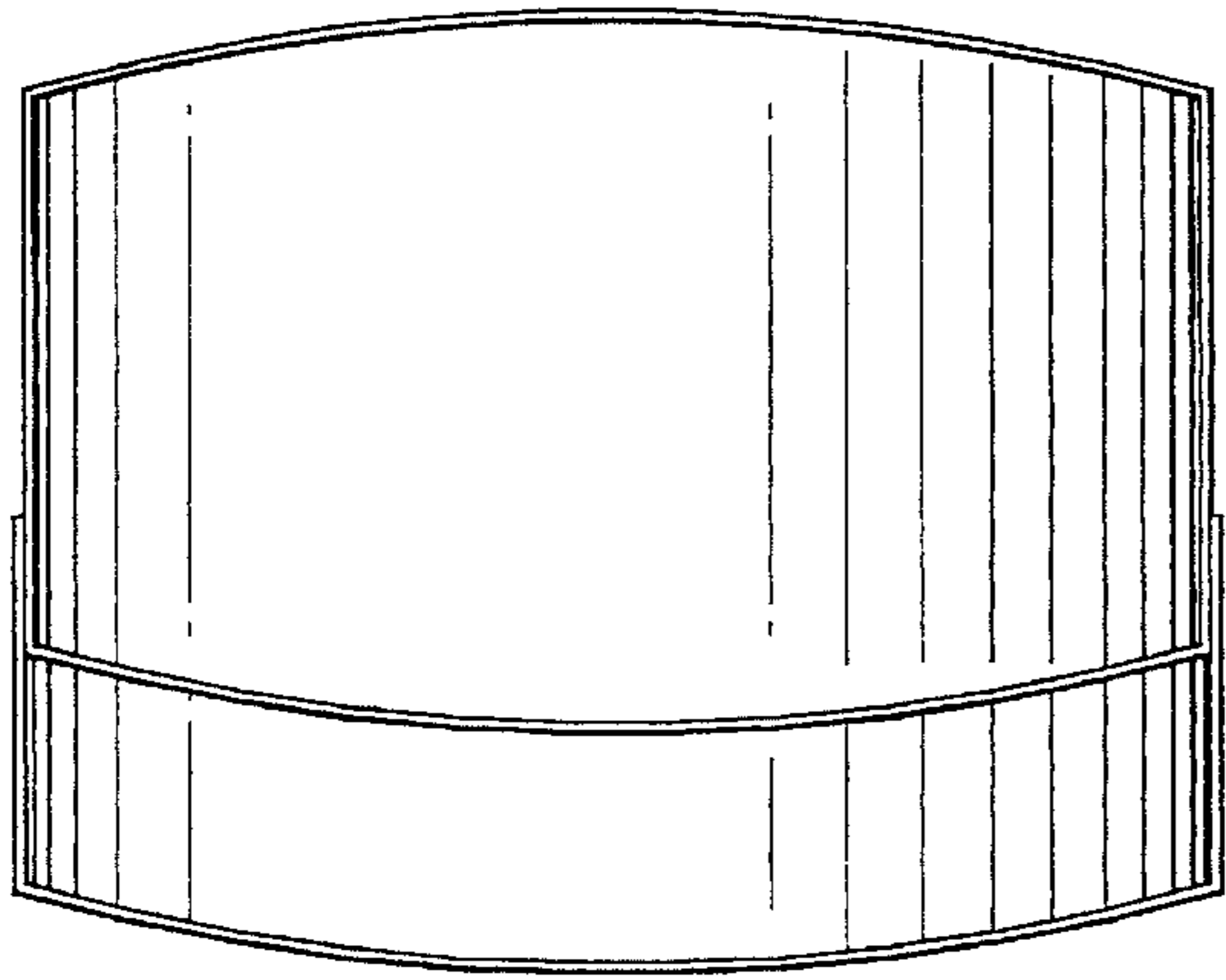


FIG. 1

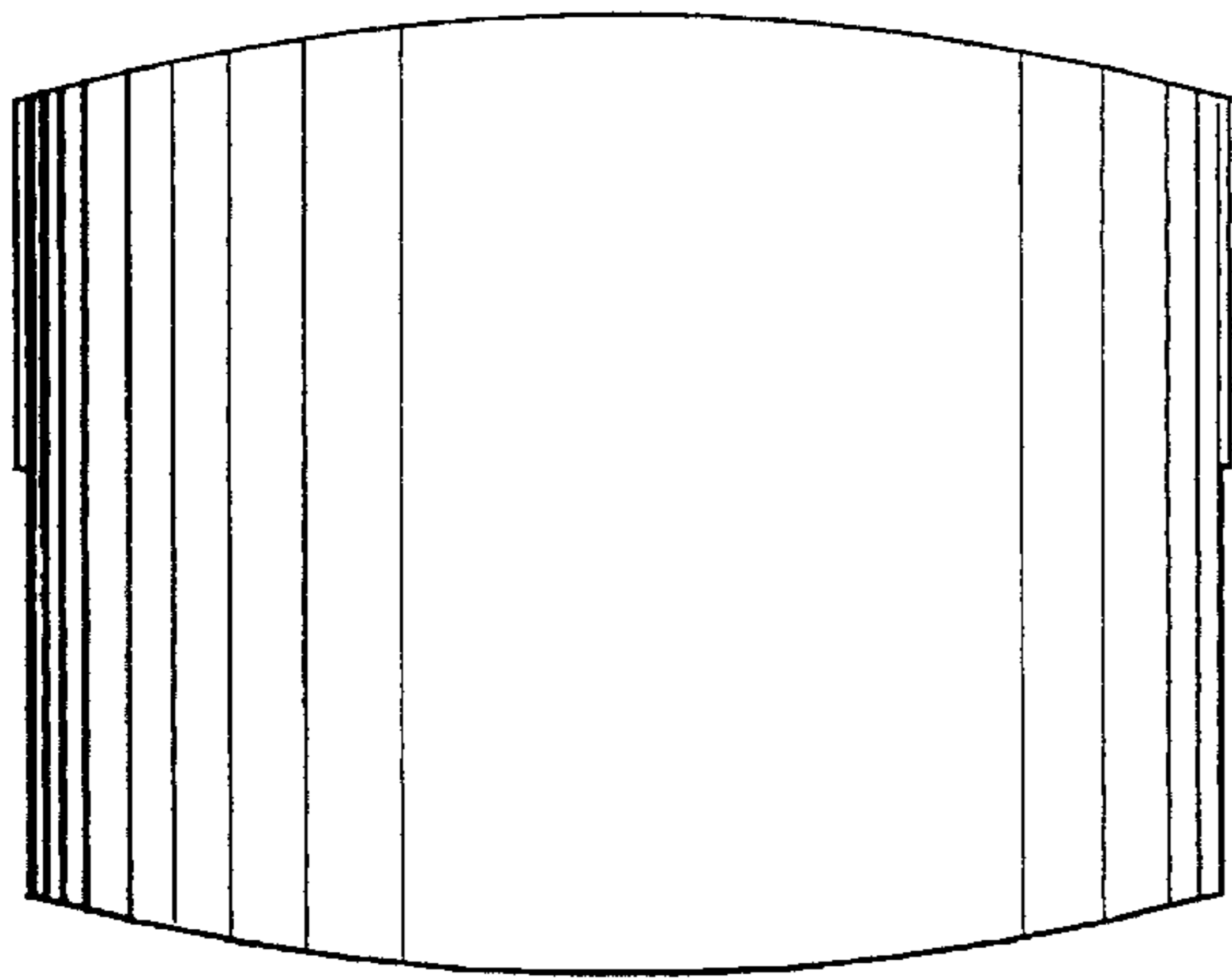


FIG. 2

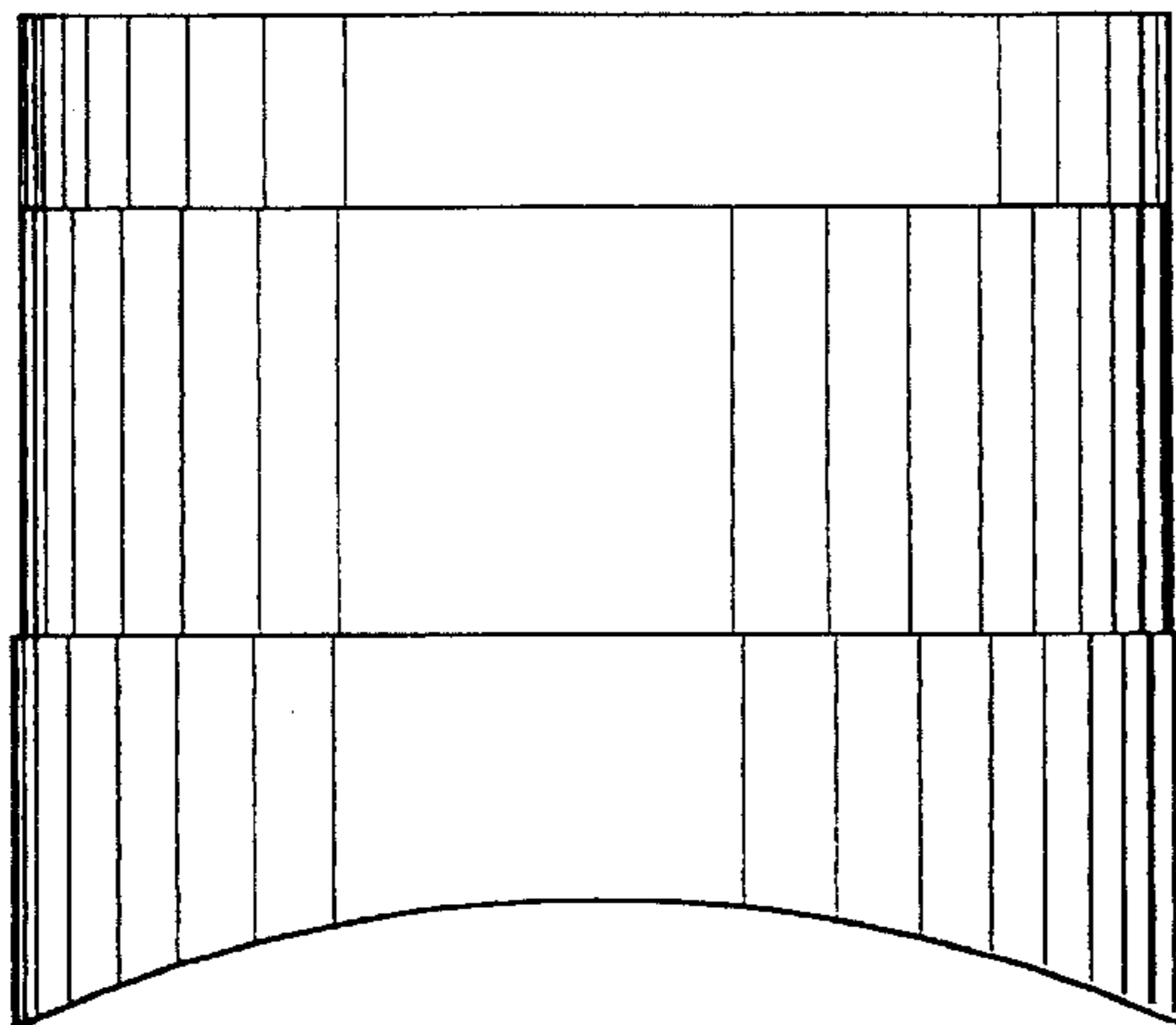


FIG. 3

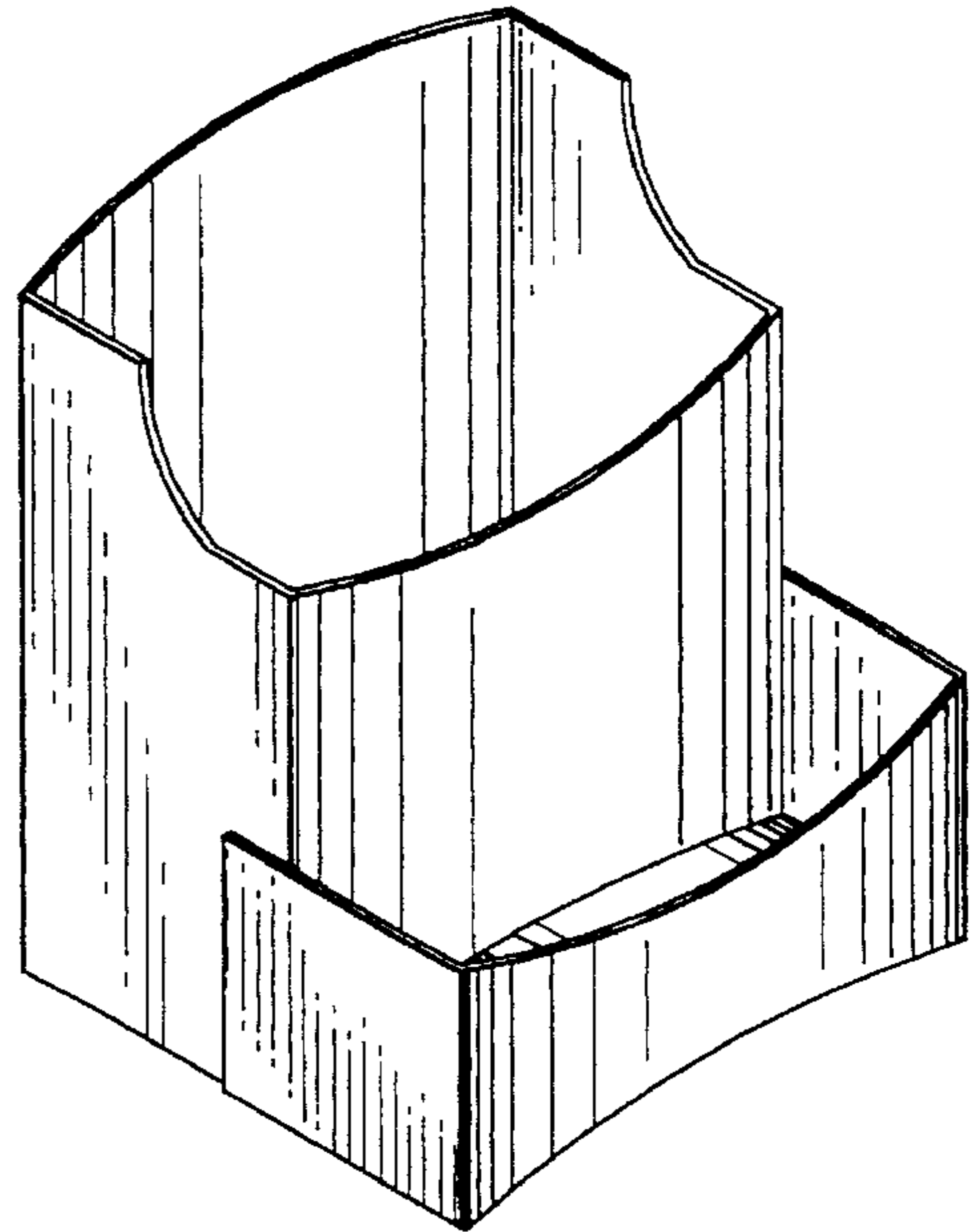


FIG. 5

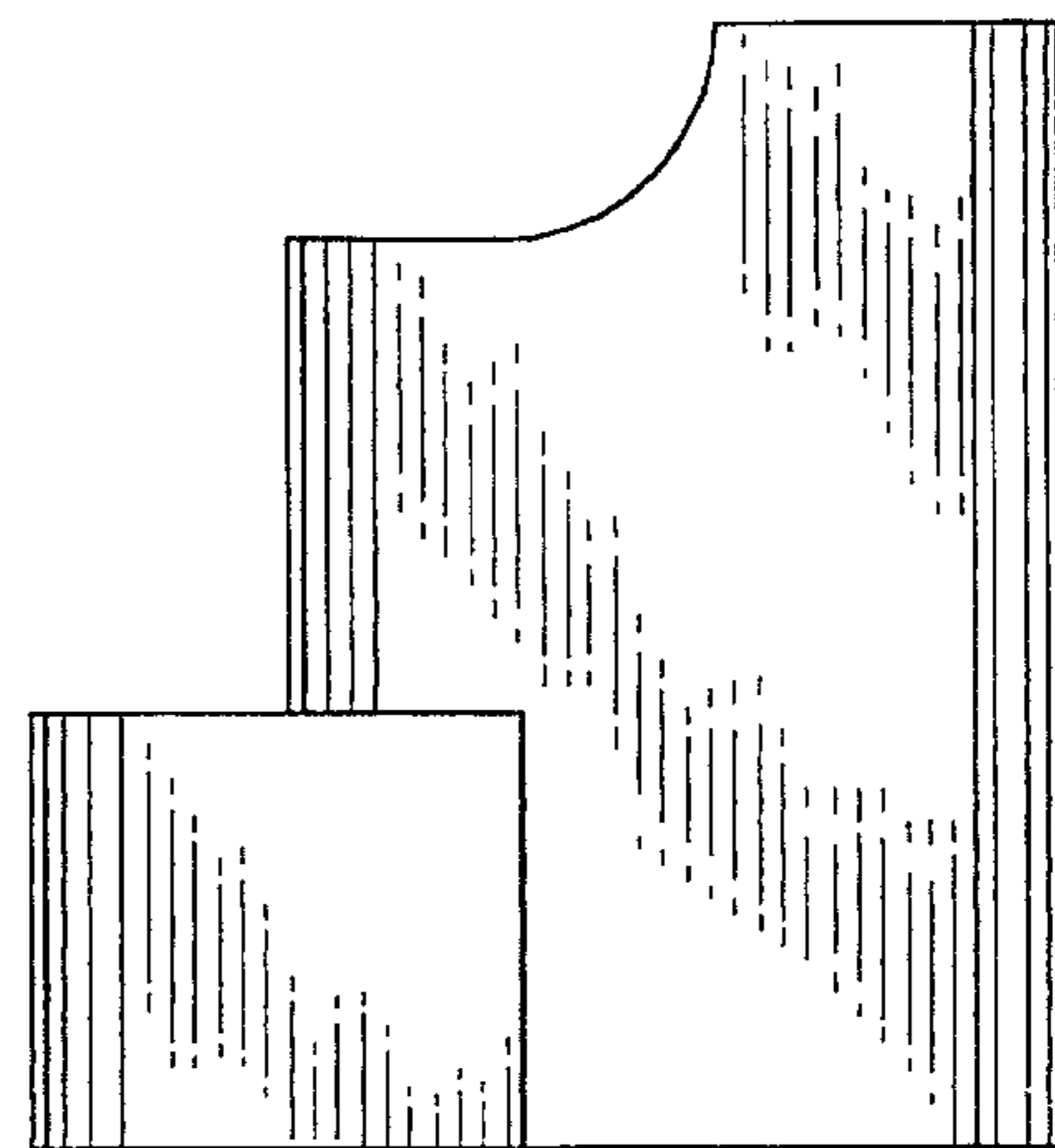


FIG. 4

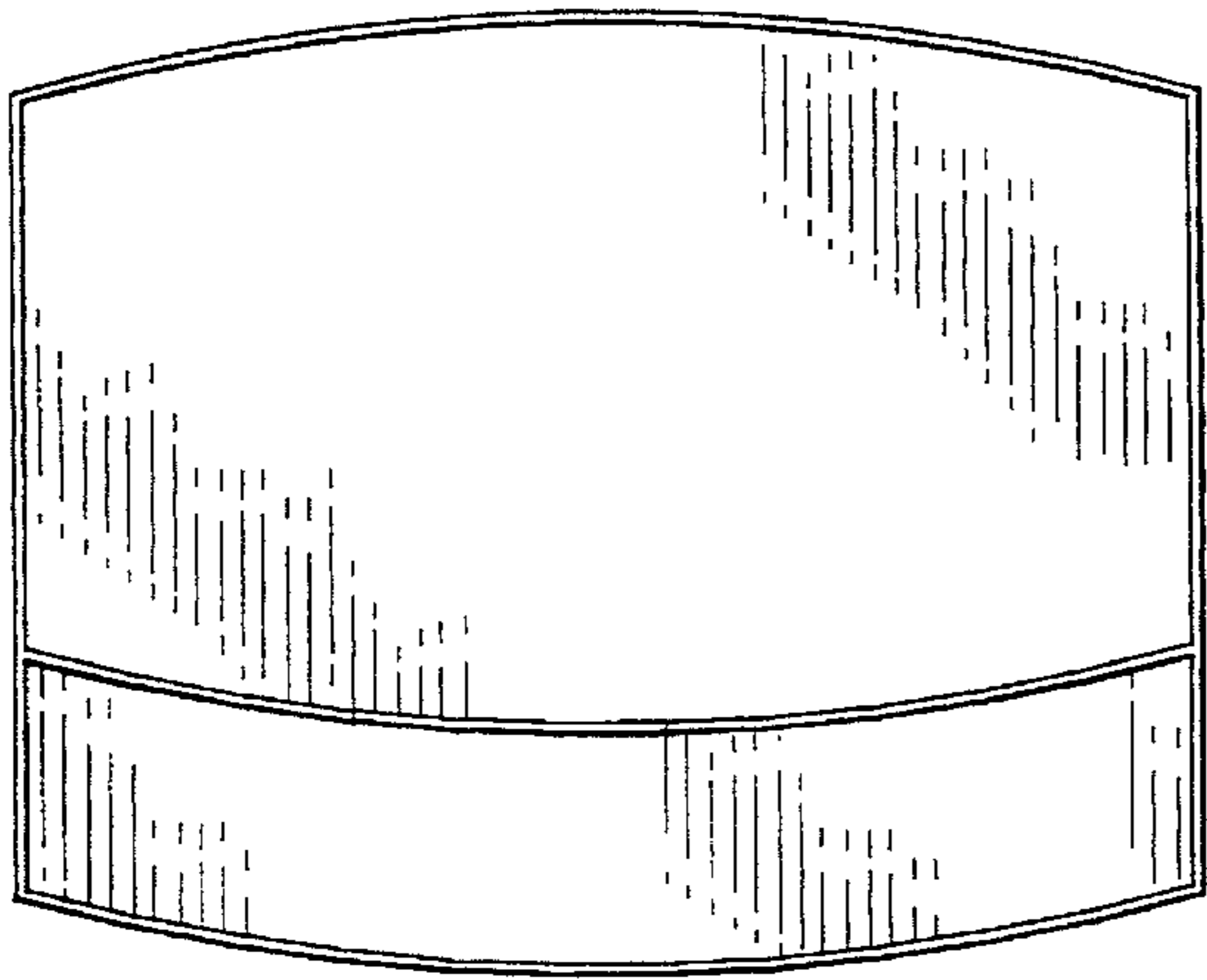


FIG. 6

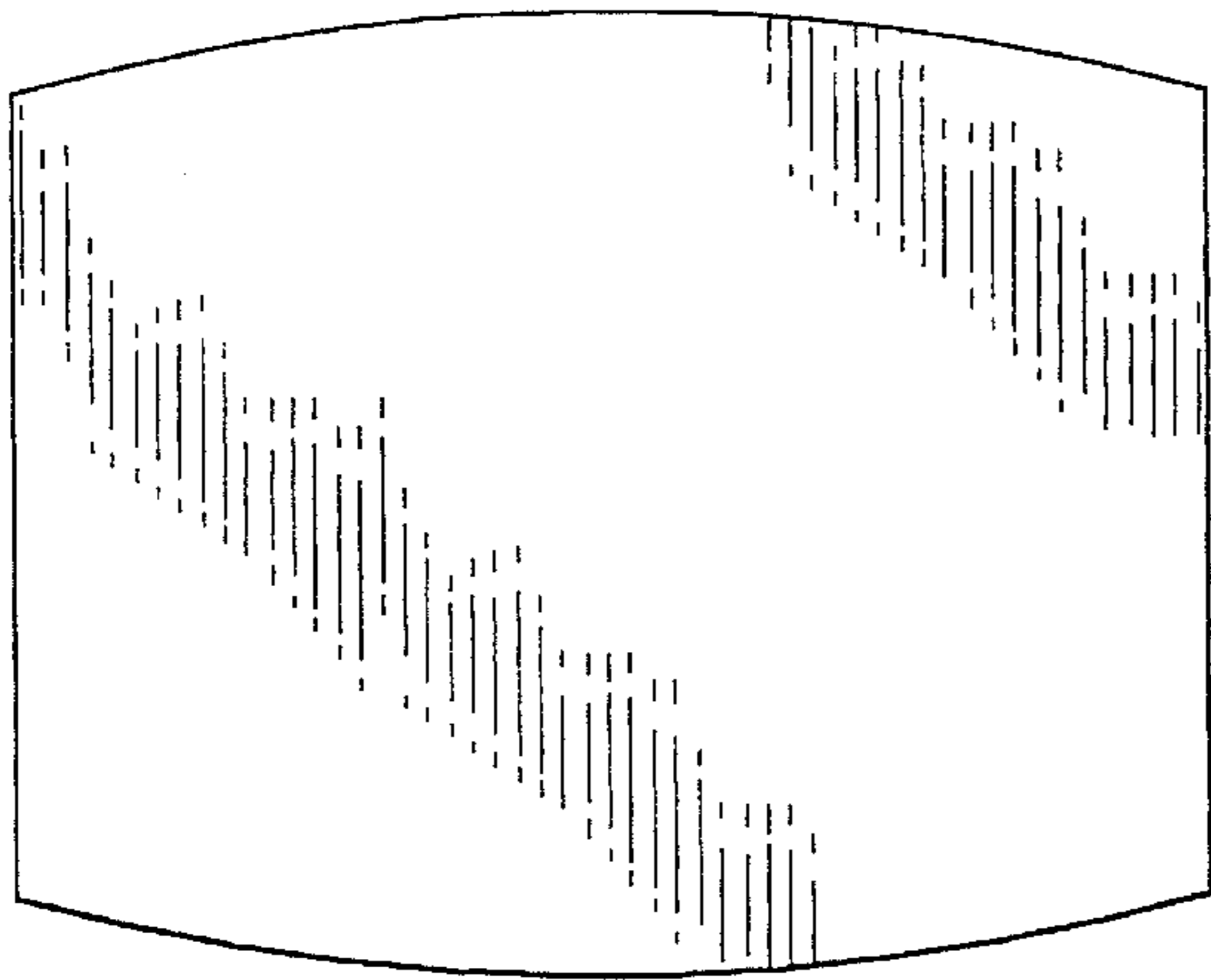


FIG. 7

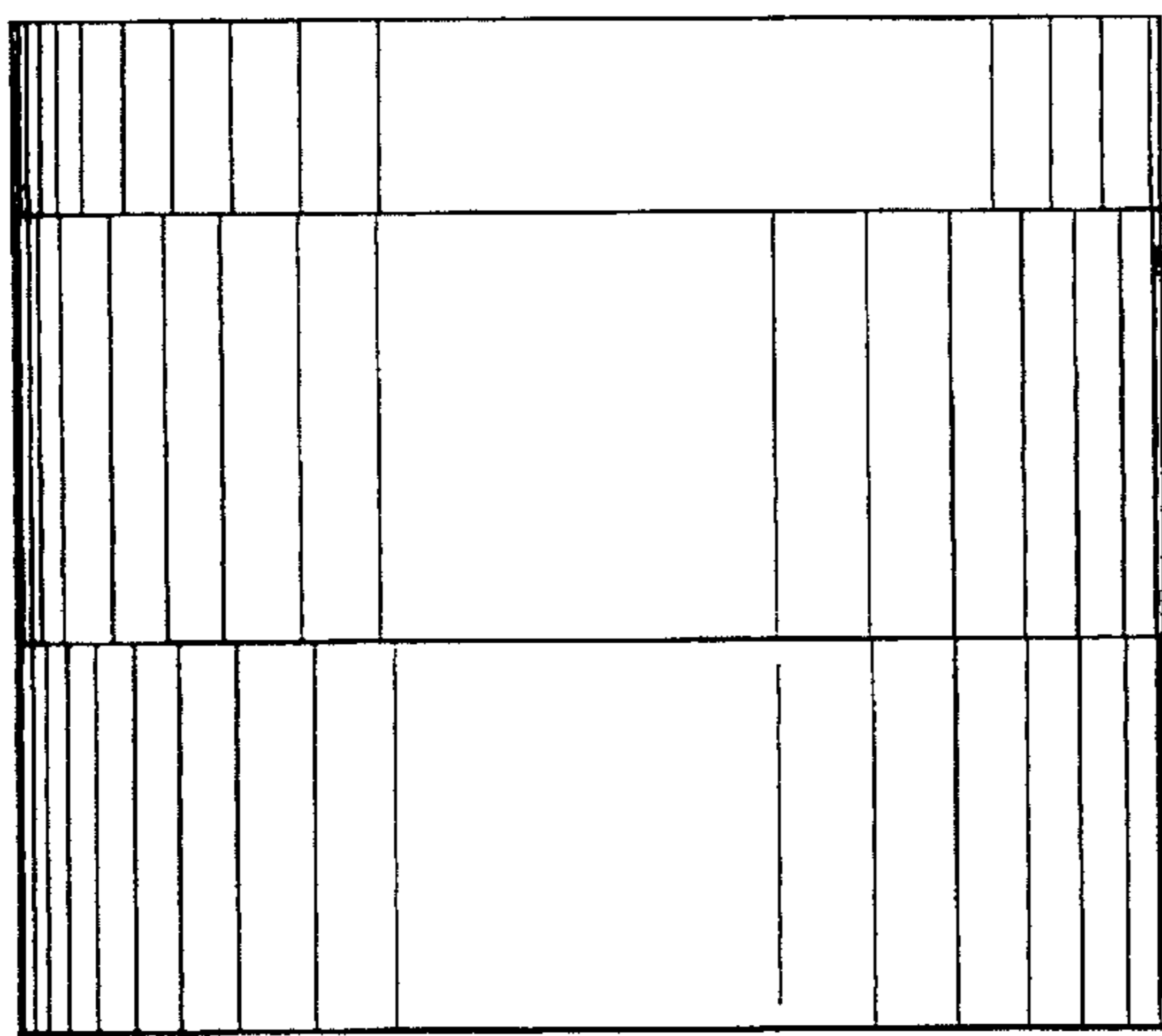


FIG. 8

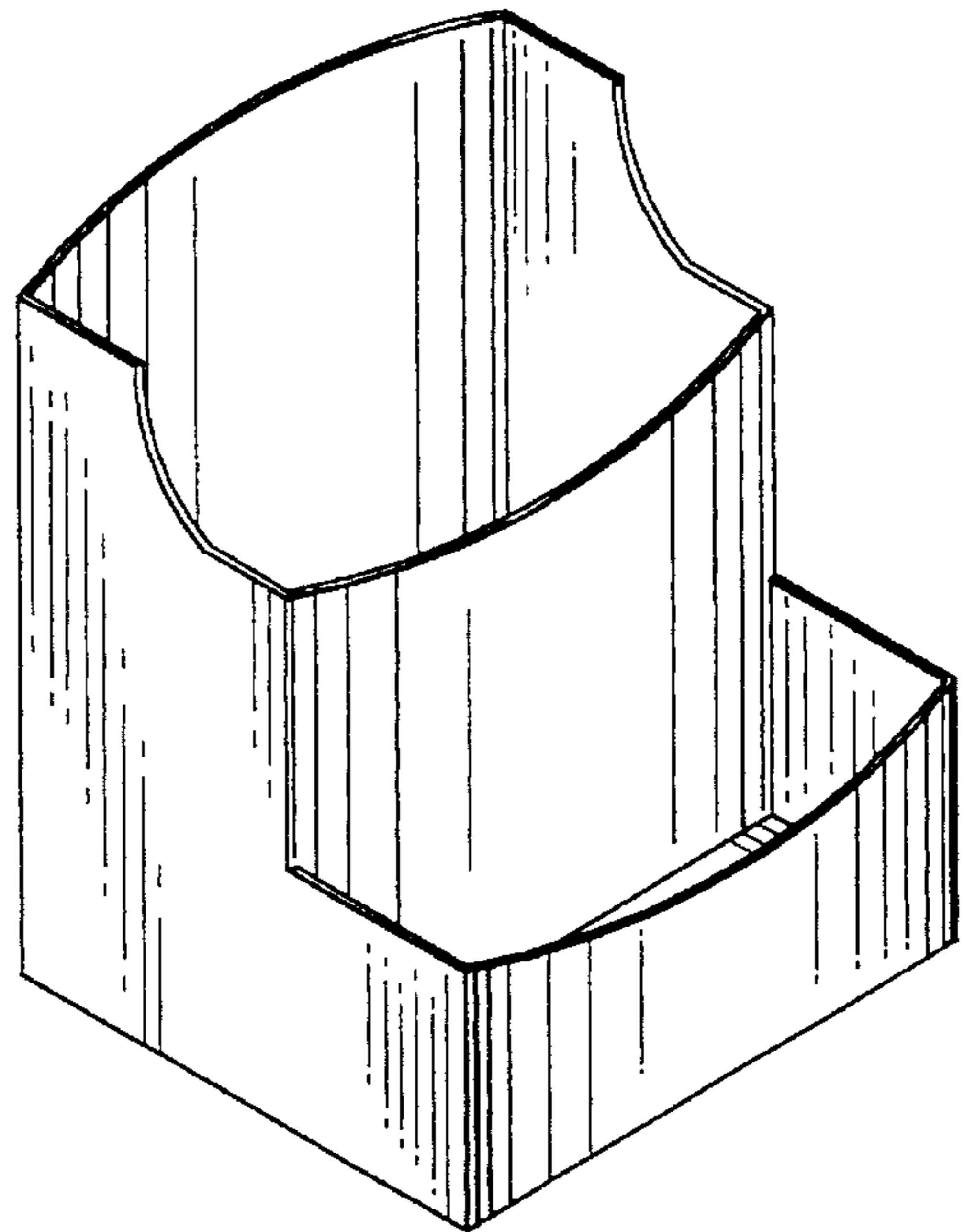


FIG. 10

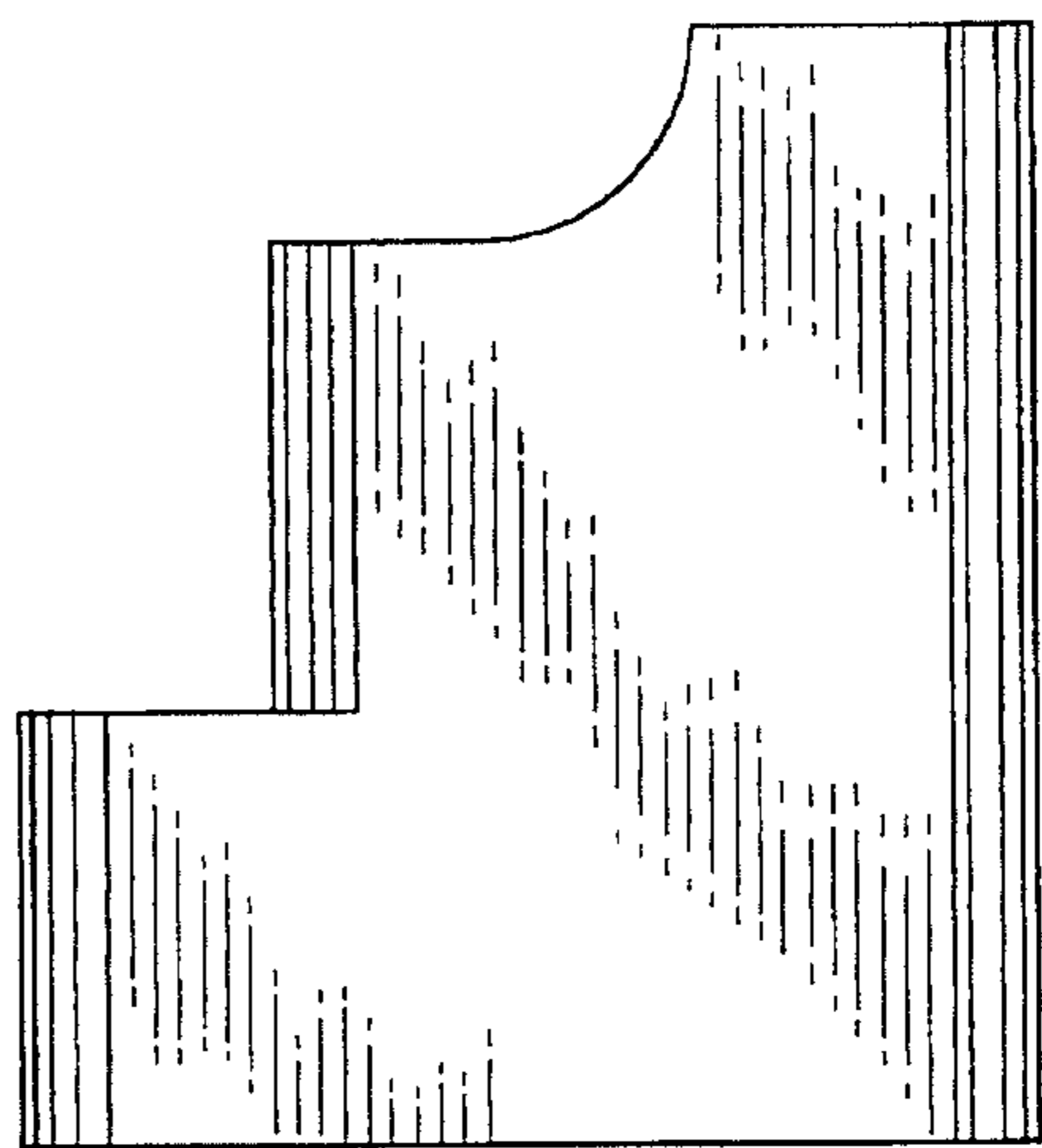


FIG. 9