



US00D376309S

# United States Patent [19]

[11] **Patent Number: Des. 376,309**

**Takai**

[45] **Date of Patent: \*\*Dec. 10, 1996**

[54] **ROD HOLDER**

*Primary Examiner*—Holly H. Baynham

[75] Inventor: **Motoharu Takai**, Yokohama, Japan

*Attorney, Agent, or Firm*—Kanesaka & Takeuchi

[73] Assignee: **Nifco Inc.**, Yokohama, Japan

[57] **CLAIM**

[\*\*] Term: **14 Years**

The ornamental design for a rod holder, as shown and described.

[21] Appl. No.: **45,688**

**DESCRIPTION**

[22] Filed: **Oct. 26, 1995**

FIG. 1 is a perspective view of a rod holder showing my new design;

[30] **Foreign Application Priority Data**

FIG. 2 is a front view thereof, the rear view being symmetrical to the front view;

Apr. 28, 1995 [JP] Japan ..... 7-11924

FIG. 3 is a right side view thereof;

[52] **U.S. Cl.** ..... **D8/380**; D8/356

FIG. 4 is a left side view thereof;

[58] **Field of Search** ..... D8/356, 380; 248/68.1, 248/74.1-74.4, 71; 174/163 R, 164, 168

FIG. 5 is a top plan view thereof;

FIG. 6 is a bottom plan view thereof;

[56] **References Cited**

FIG. 7 is a cross sectional view taken along line 7—7 in FIG. 3; and,

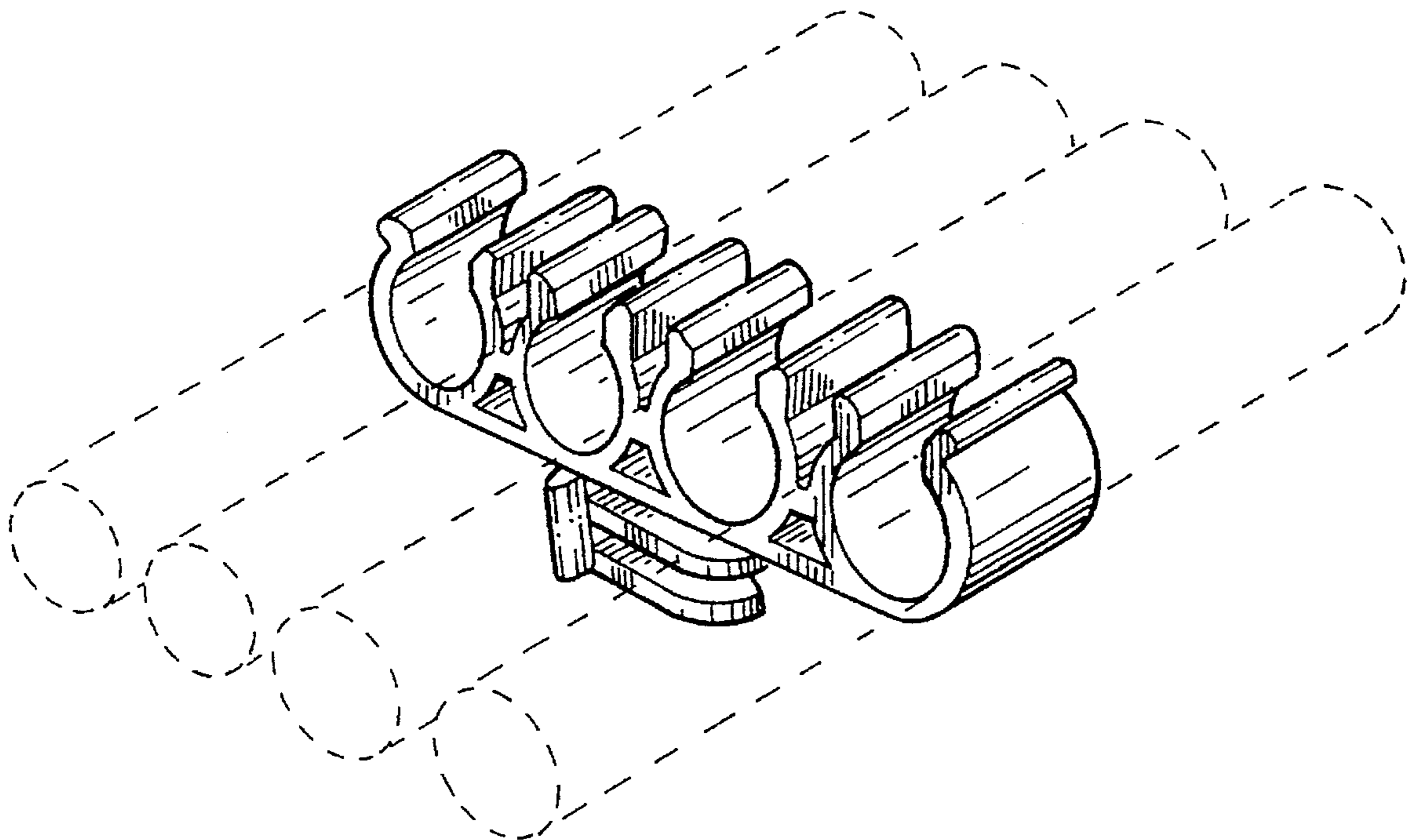
**U.S. PATENT DOCUMENTS**

FIG. 8 is a cross sectional view taken along line 8—8 in FIG. 2.

D. 269,851	7/1983	Kimura	.....	D8/356
3,894,706	7/1975	Mizusawa	.....	248/68.1
4,244,542	1/1981	Mathews	.....	248/68.1 X
4,244,544	1/1981	Kormat	.....	248/74.2 X
4,306,697	12/1981	Mathews	.....	248/74.2 X
5,209,441	5/1993	Satoh	.....	248/68.1 X

The broken line showing of rods is for illustrative purposes only and forms no part of the claimed design.

**1 Claim, 2 Drawing Sheets**



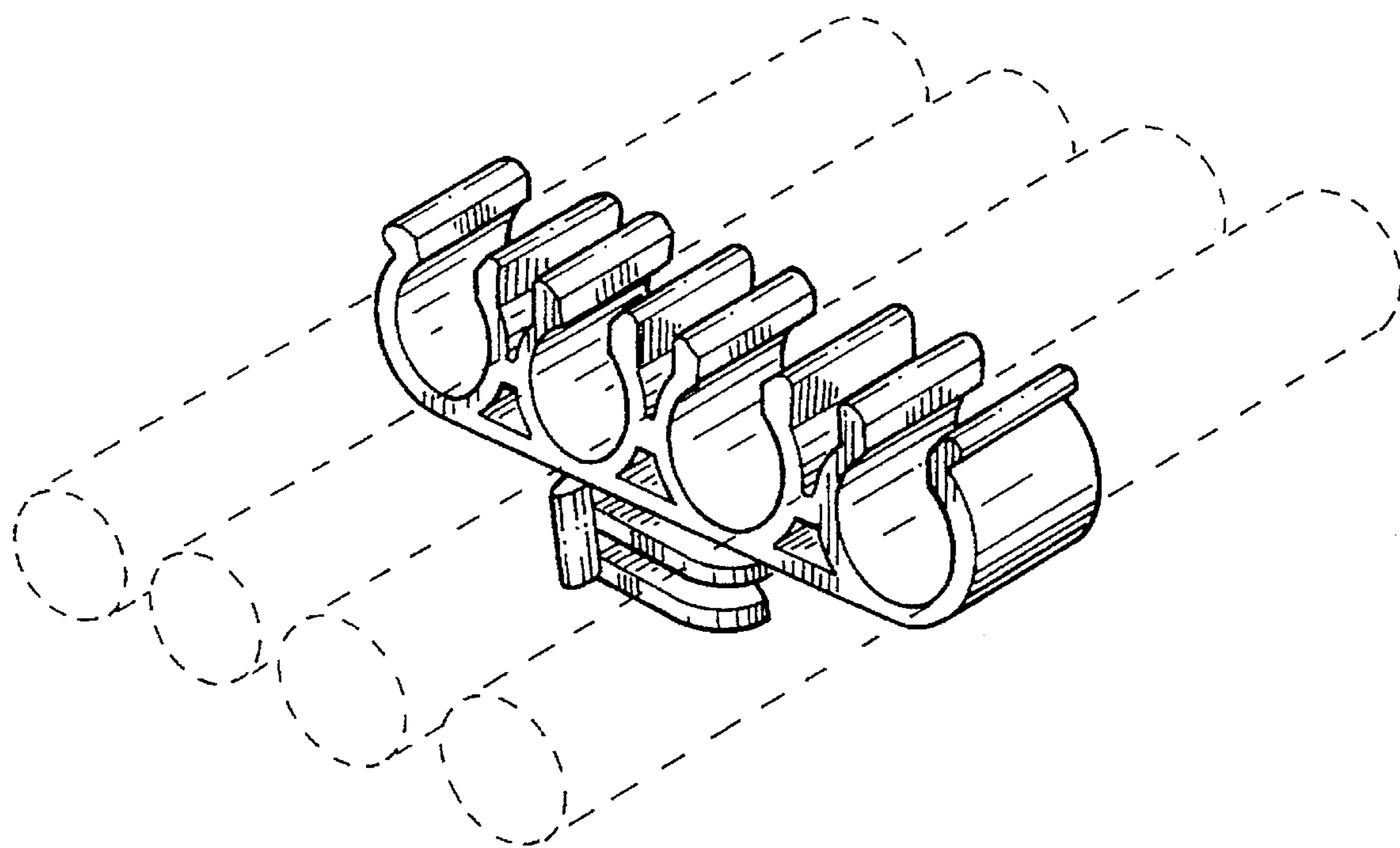
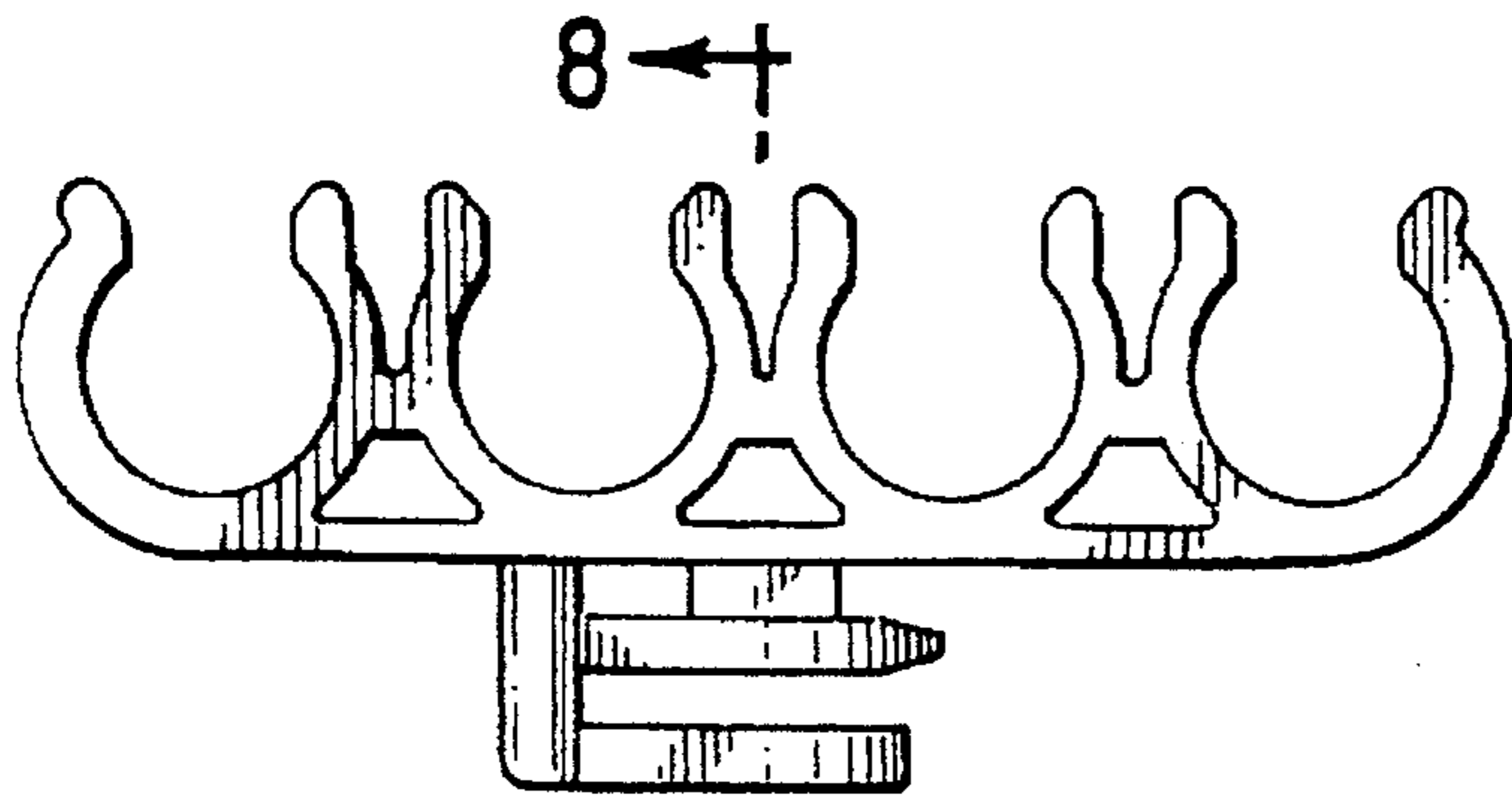
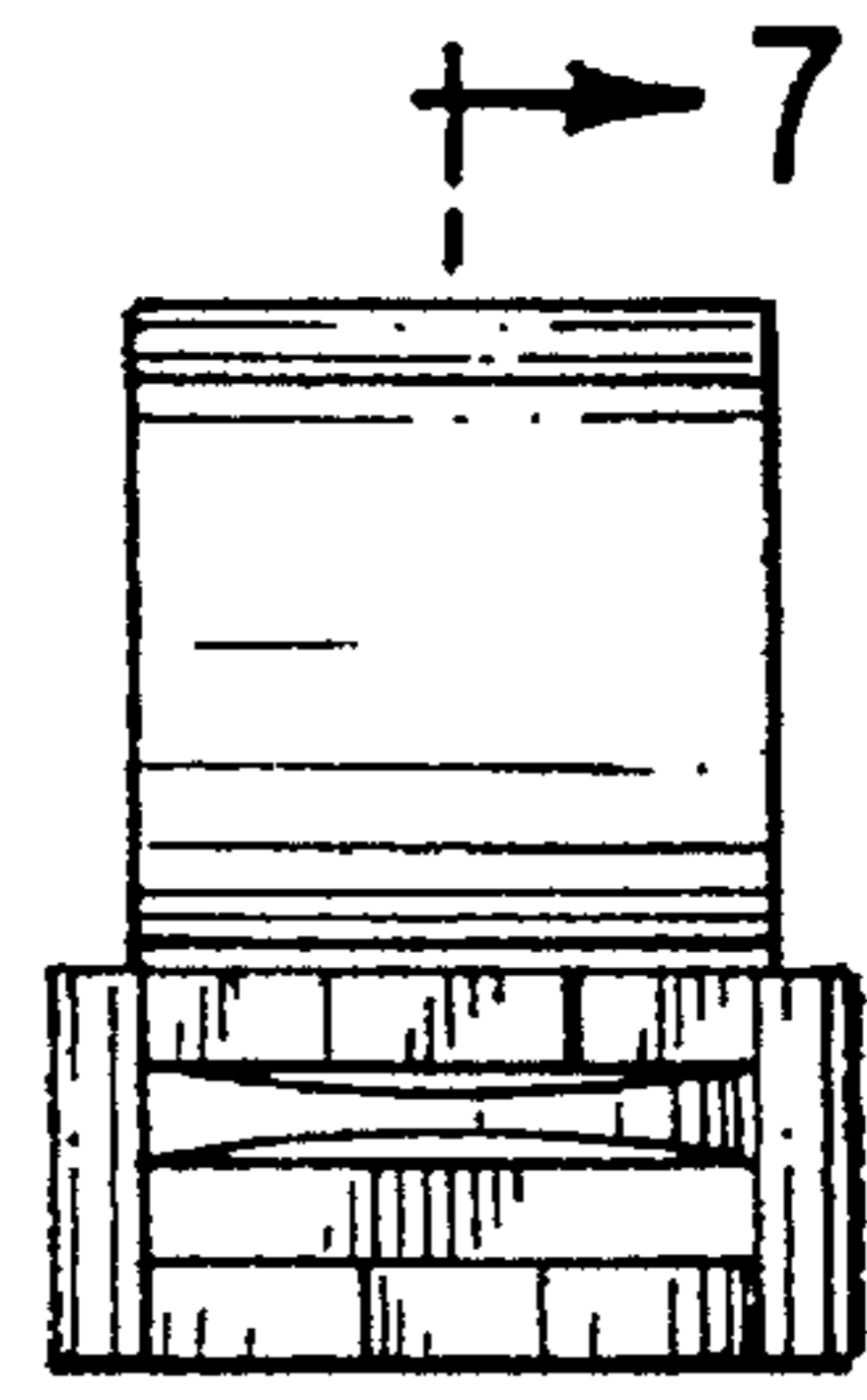


FIG. 1



8 ←  
8 ←  
FIG. 2



→ 7  
→ 7  
FIG. 3

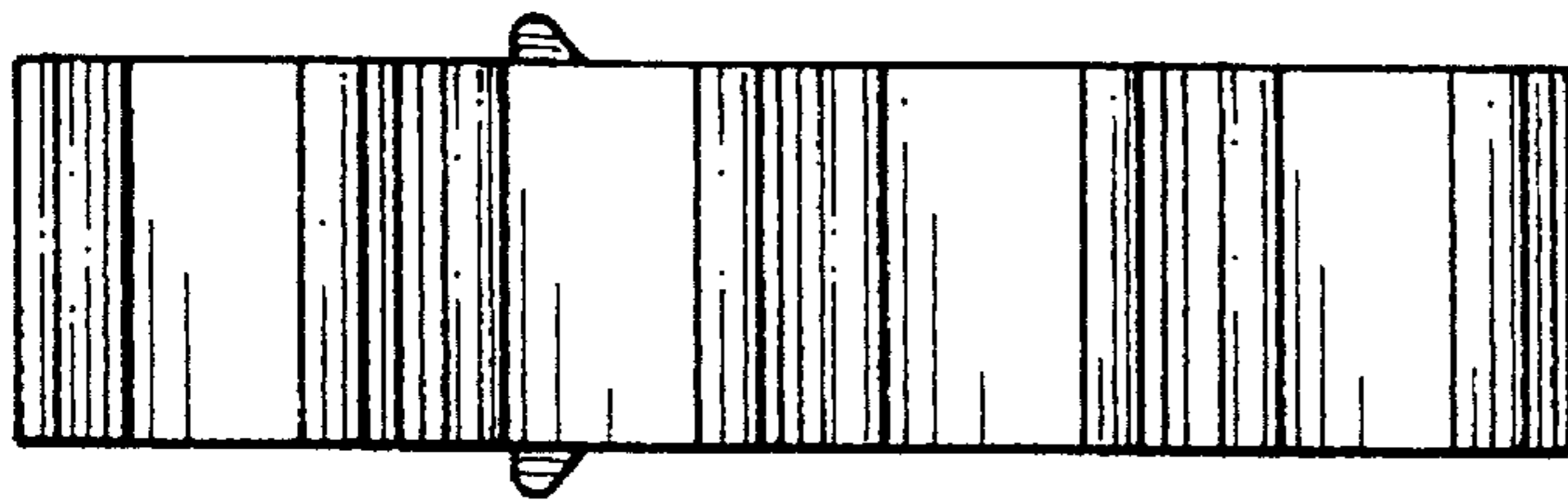


FIG. 5

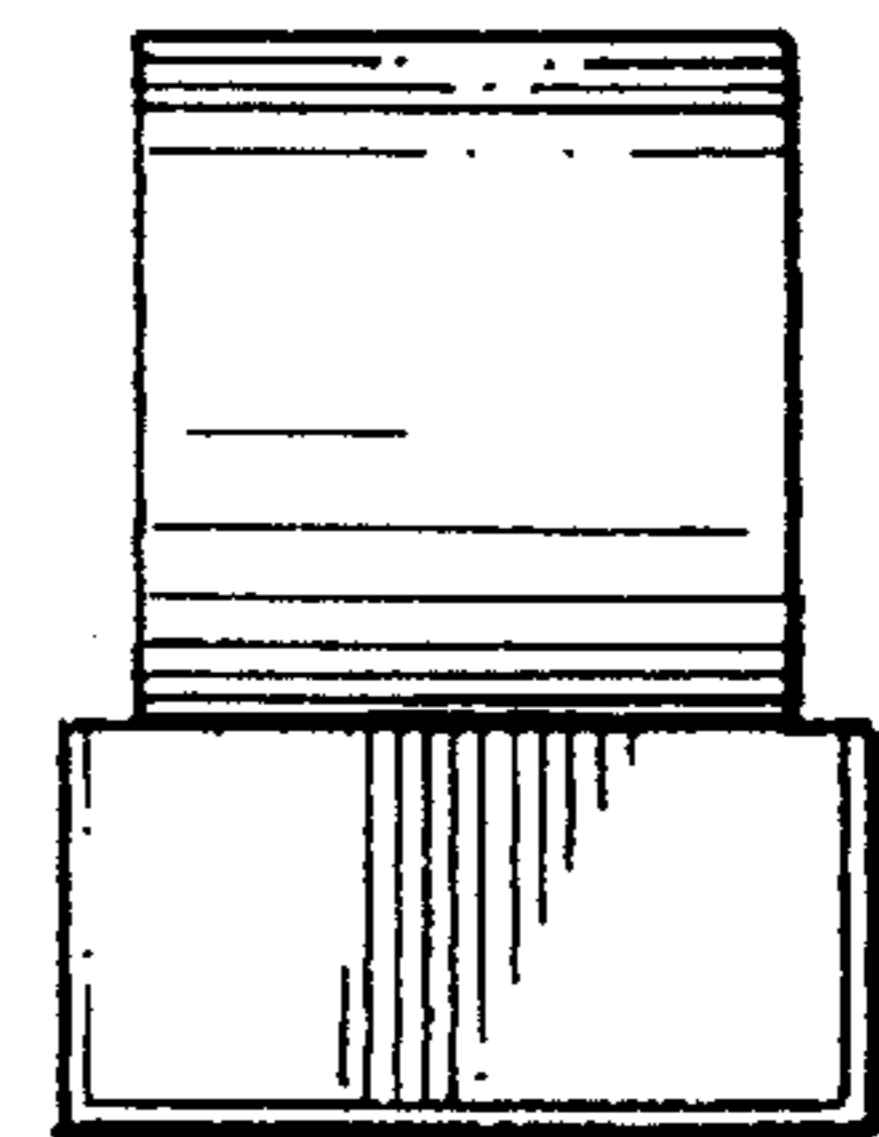


FIG. 4

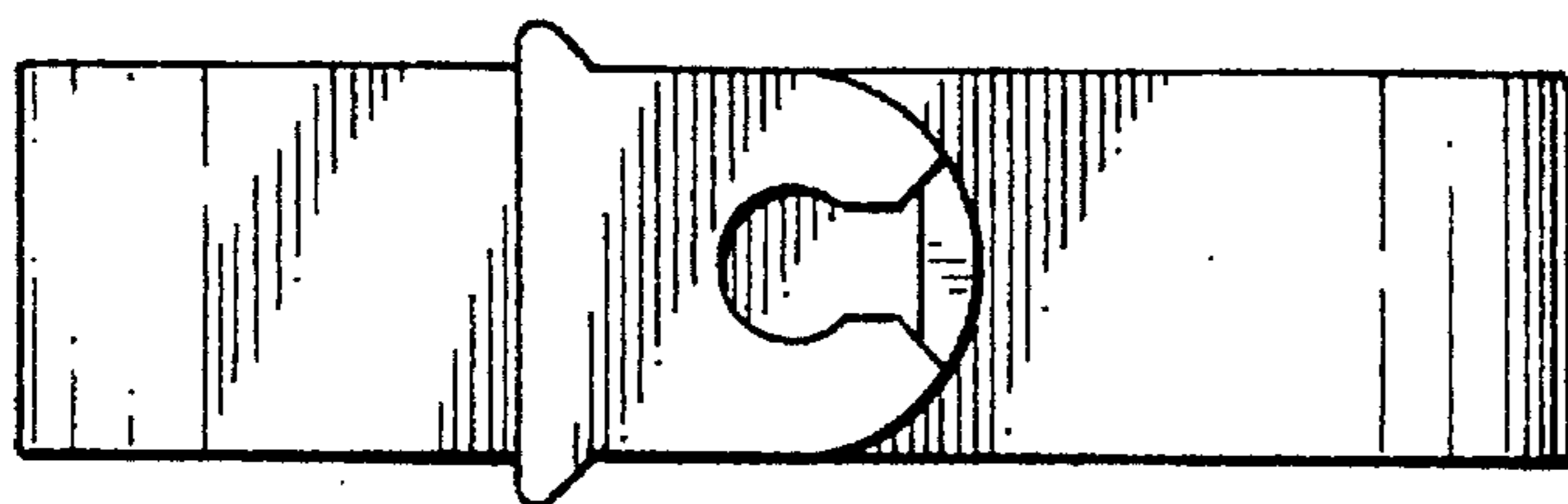
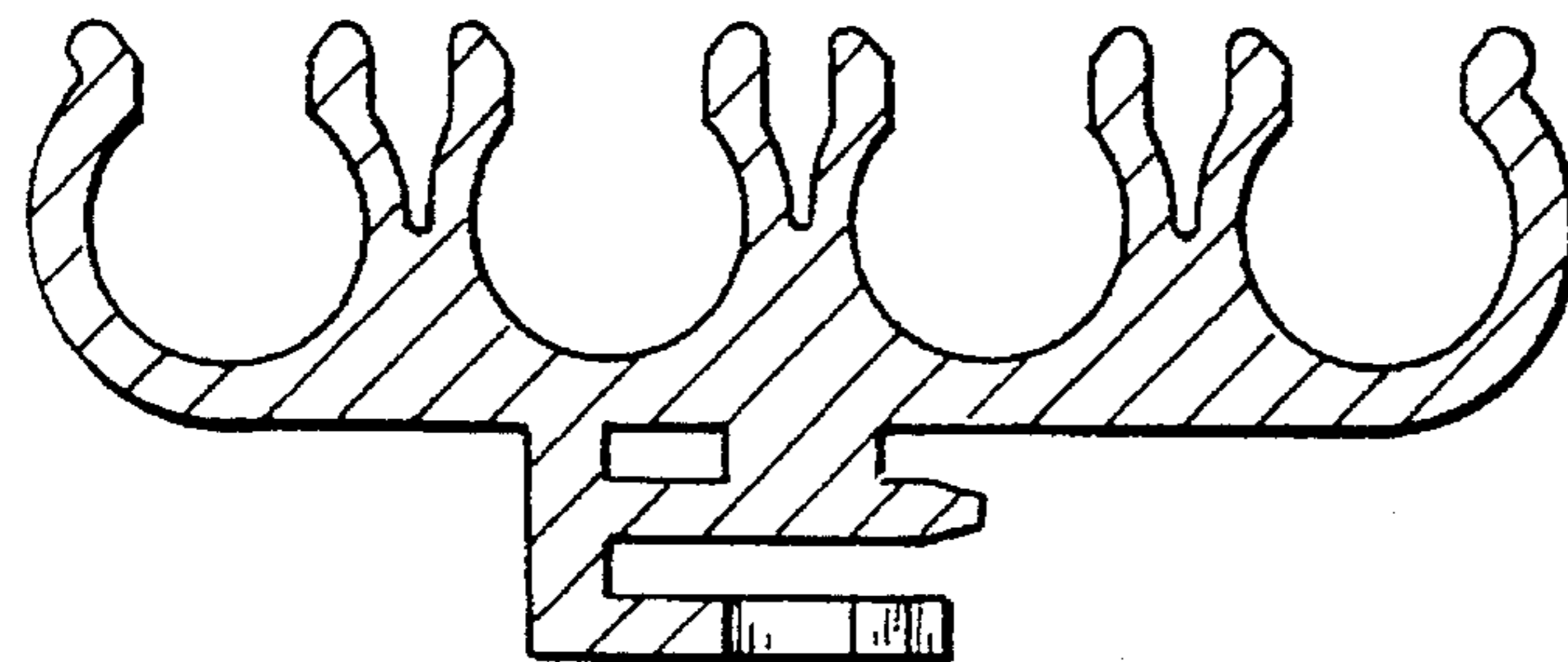
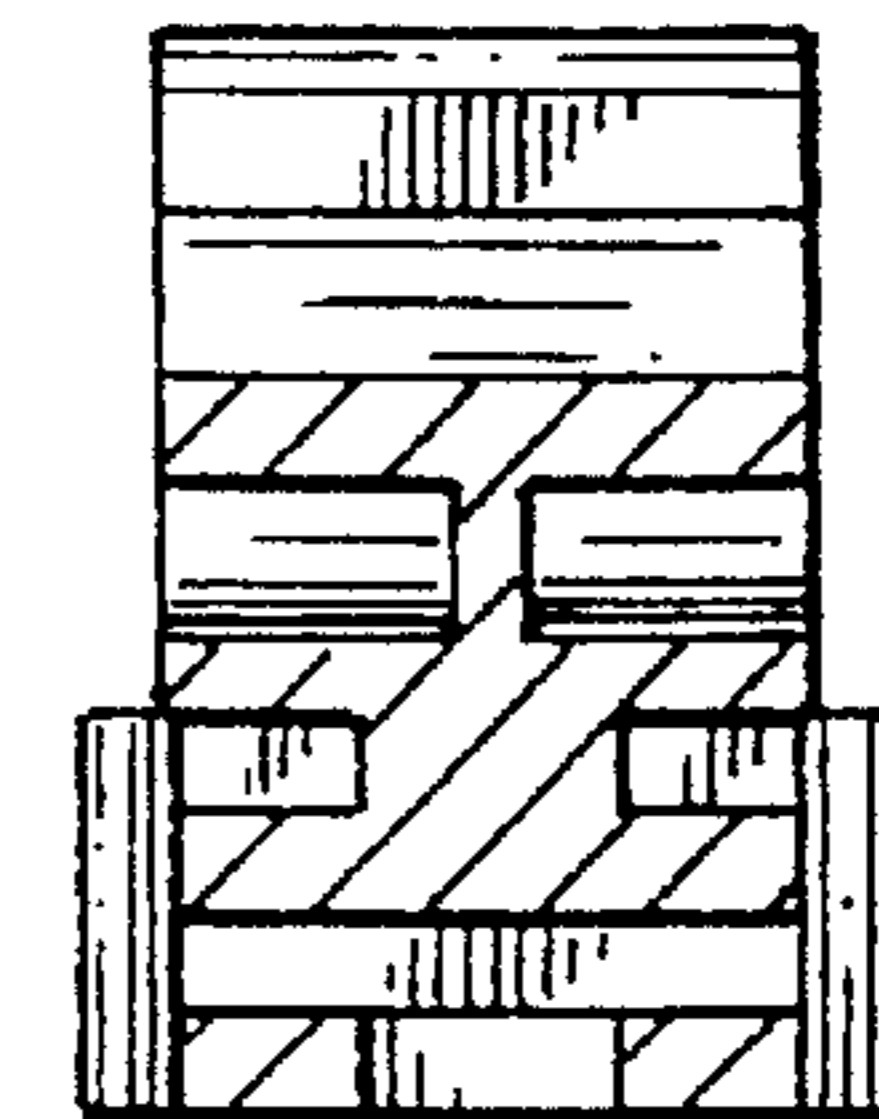


FIG. 6



8 ←  
8 ←  
FIG. 7



→ 7  
→ 7  
FIG. 8