



US00D376304S

United States Patent [19]

[11] Patent Number: **Des. 376,304**

Clowers et al.

[45] Date of Patent: ****Dec. 10, 1996**

[54] SANDER

OTHER PUBLICATIONS

[75] Inventors: **Earl R. Clowers; John C. Smith**, both of Jackson, Tenn.

Porter Cable Model 333 random orbit sander with dust collector. *The Woodworkers' Store* 1992-93 Tool Catalog. Bosch orbital sander. *Do It Yourself Retailing Magazine*, Aug. 1988, p. 265.

[73] Assignee: **Porter-Cable Corporation**, Jackson, Tenn.

Makita palm grip finishing sander #M901. Hechinger's advertising supplement to *The Washington Post*, Nov. 28, 1988.

[**] Term: **14 Years**

Primary Examiner—B. J. Bullock

[21] Appl. No.: **34,866**

Assistant Examiner—Robert M. Spear

[22] Filed: **Feb. 14, 1995**

Attorney, Agent, or Firm—Merchant, Gould, Smith, Edell, Welter & Schmidt

[52] U.S. Cl. **D8/62**

[58] Field of Search D8/61, 62, 68; 451/162, 163, 344, 356, 357, 359, 414, 456; 15/97.1, 97.2, 97.3, 102

[57] CLAIM

The ornamental design for a sander, as shown and described.

[56] References Cited

DESCRIPTION

U.S. PATENT DOCUMENTS

D. 269,845	7/1983	Hutchins	D8/61
D. 317,244	6/1991	Bunyea	D8/62
D. 329,362	9/1992	Saito et al.	D8/62
D. 332,734	1/1993	Fushiya et al.	D8/62
D. 347,778	6/1994	Clowers et al. .	
D. 356,017	3/1995	Izumisawa	D8/62
5,018,314	5/1991	Fushiya et al.	451/357
5,237,781	8/1993	Demetrius	451/456
5,384,984	1/1995	Smith	451/357
5,419,737	5/1995	Brazell et al.	451/456

FIG. 1 is a front and top right perspective view of a sander showing our new design;

FIG. 2 is a front elevational view;

FIG. 3 is a rear elevational view;

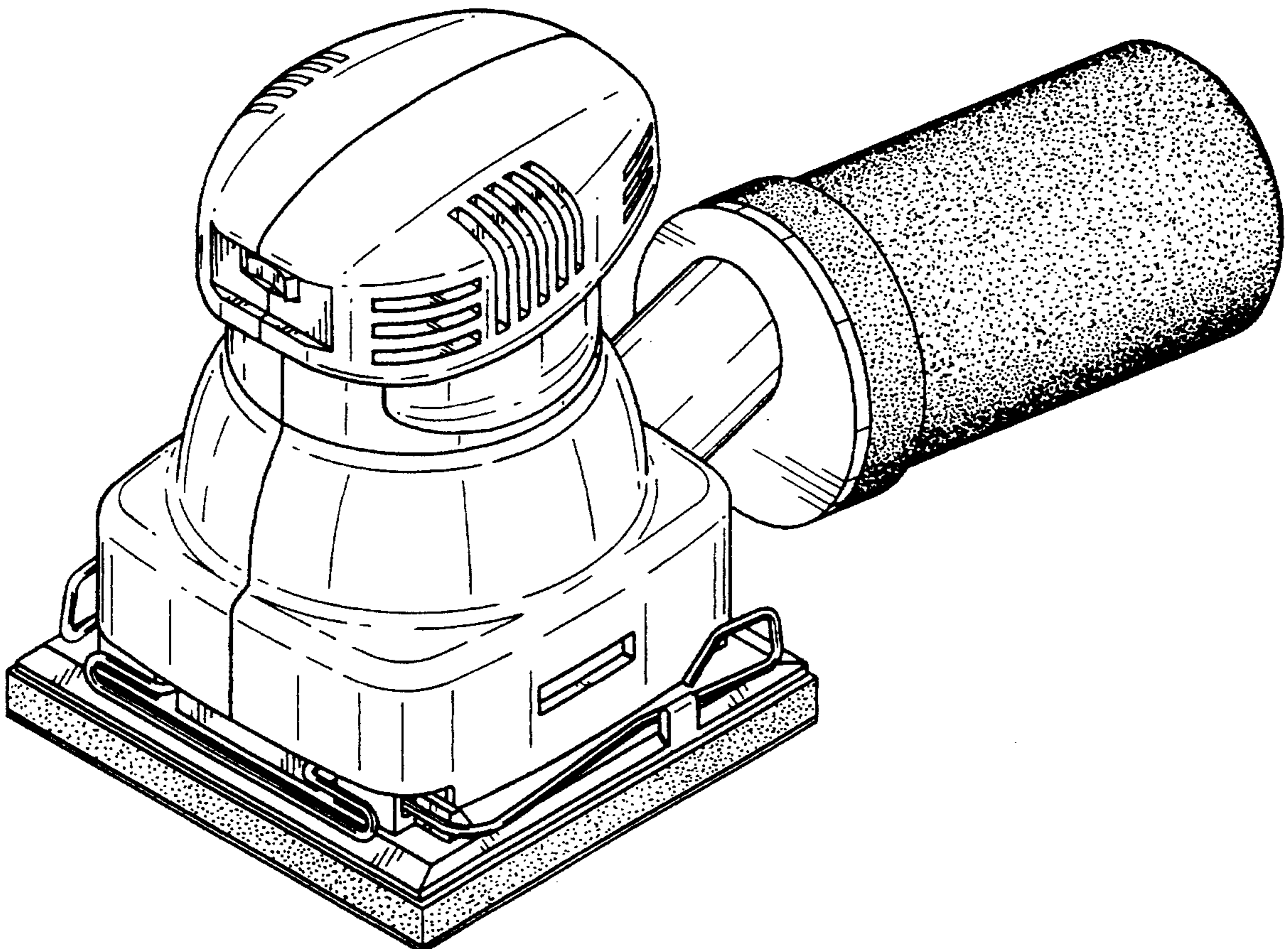
FIG. 4 is a right side elevational view;

FIG. 5 is a left side elevational view;

FIG. 6 is a top plan view; and,

FIG. 7 is a bottom plan view.

1 Claim, 6 Drawing Sheets



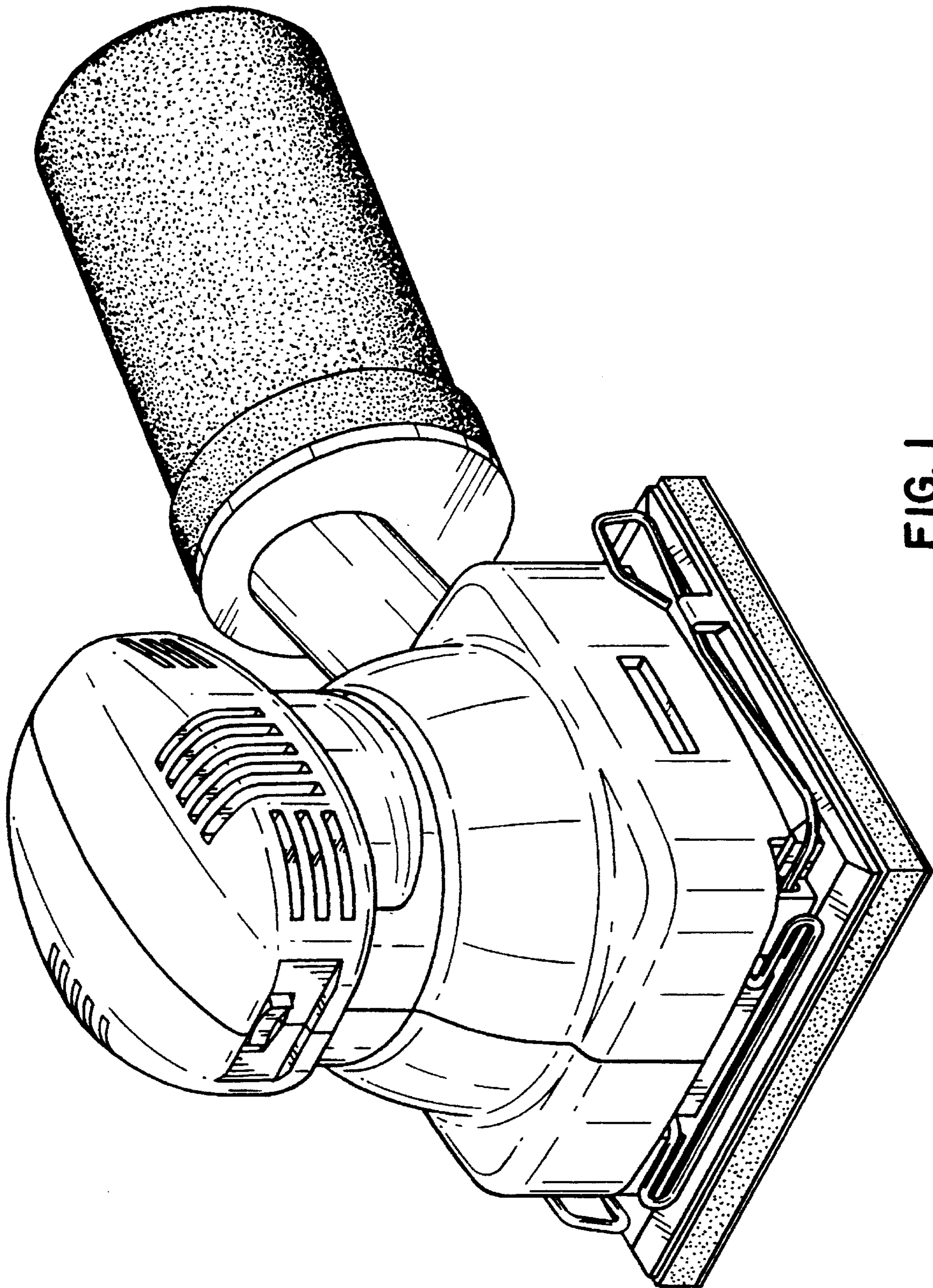


FIG. 1

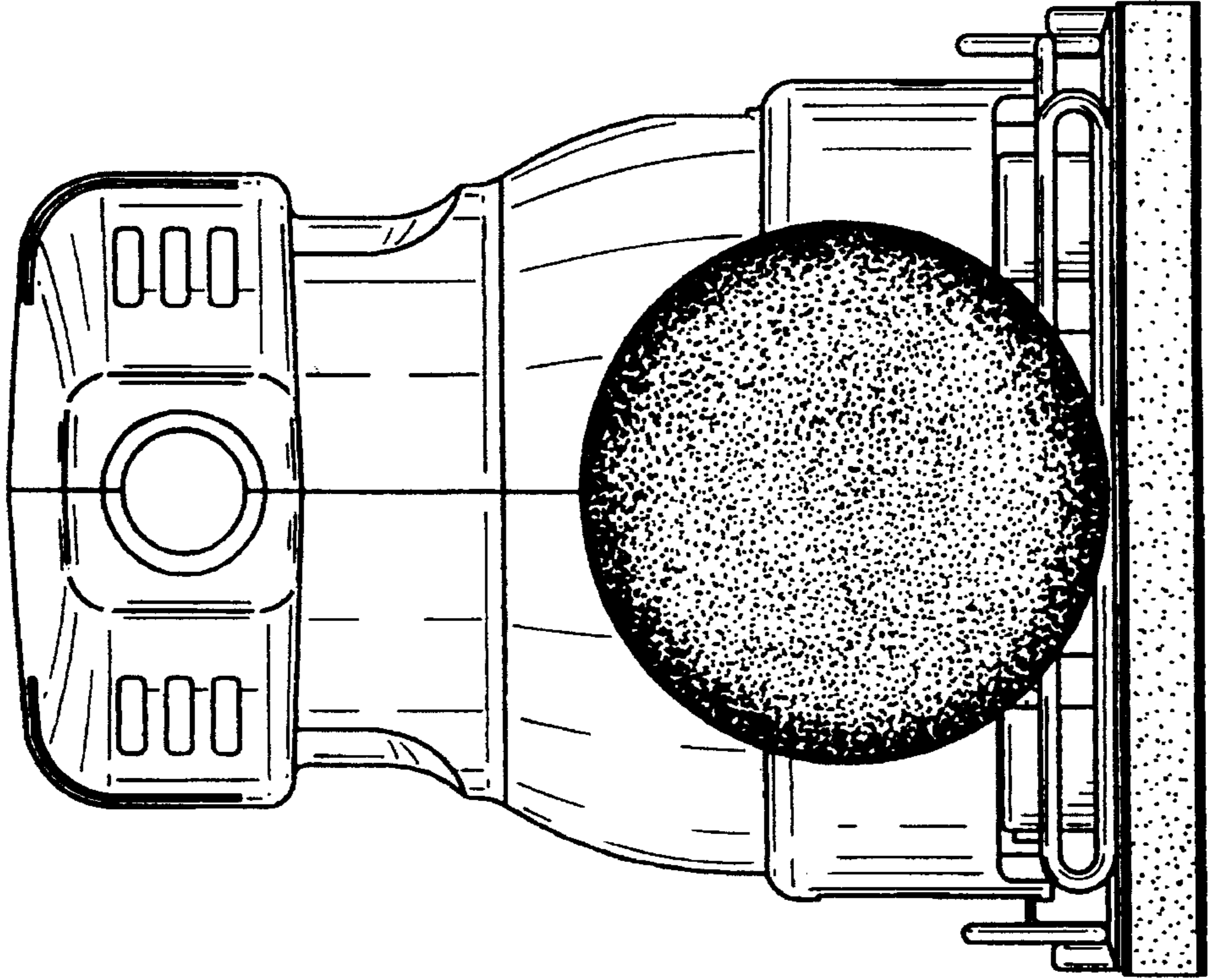


FIG. 3

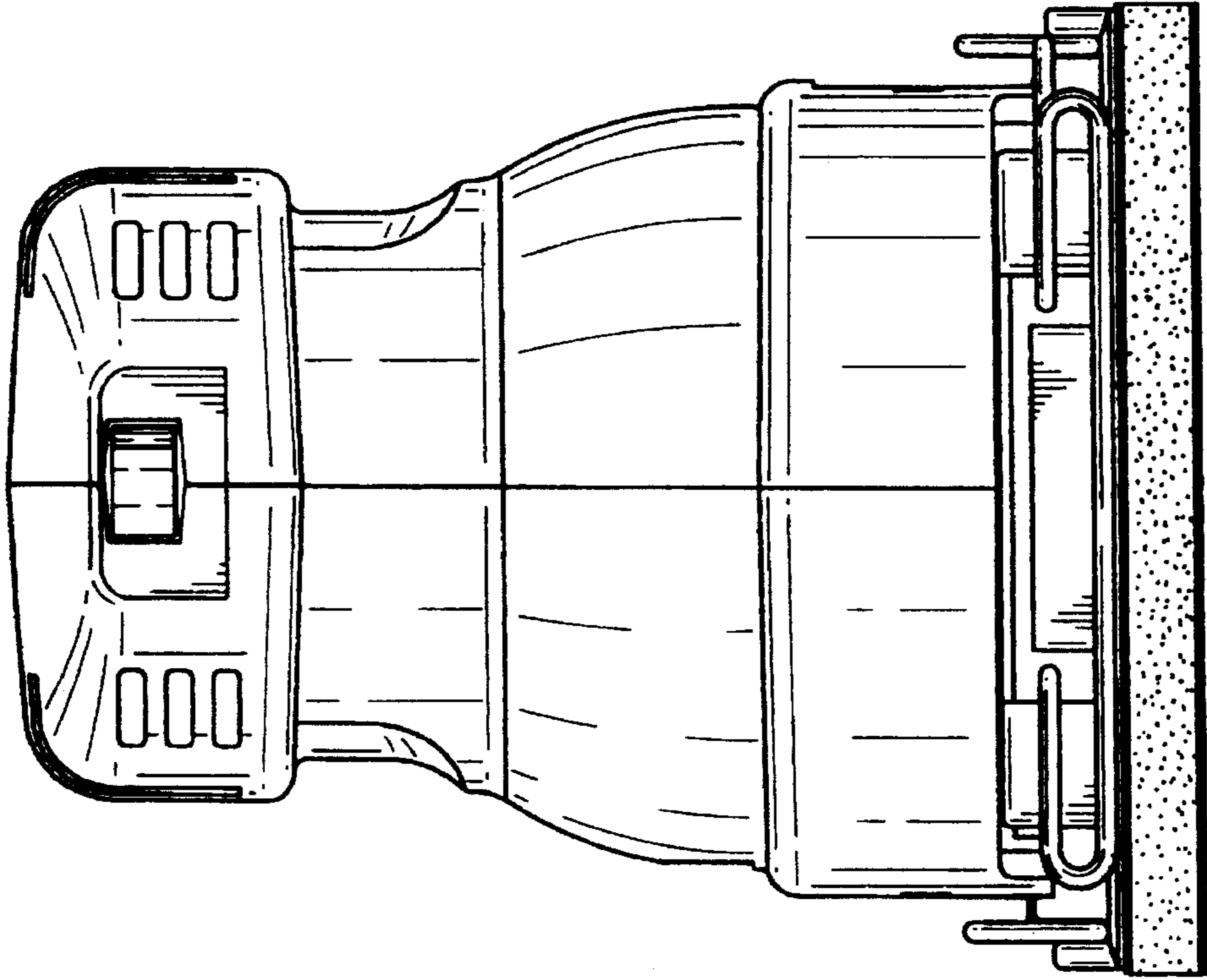


FIG. 2

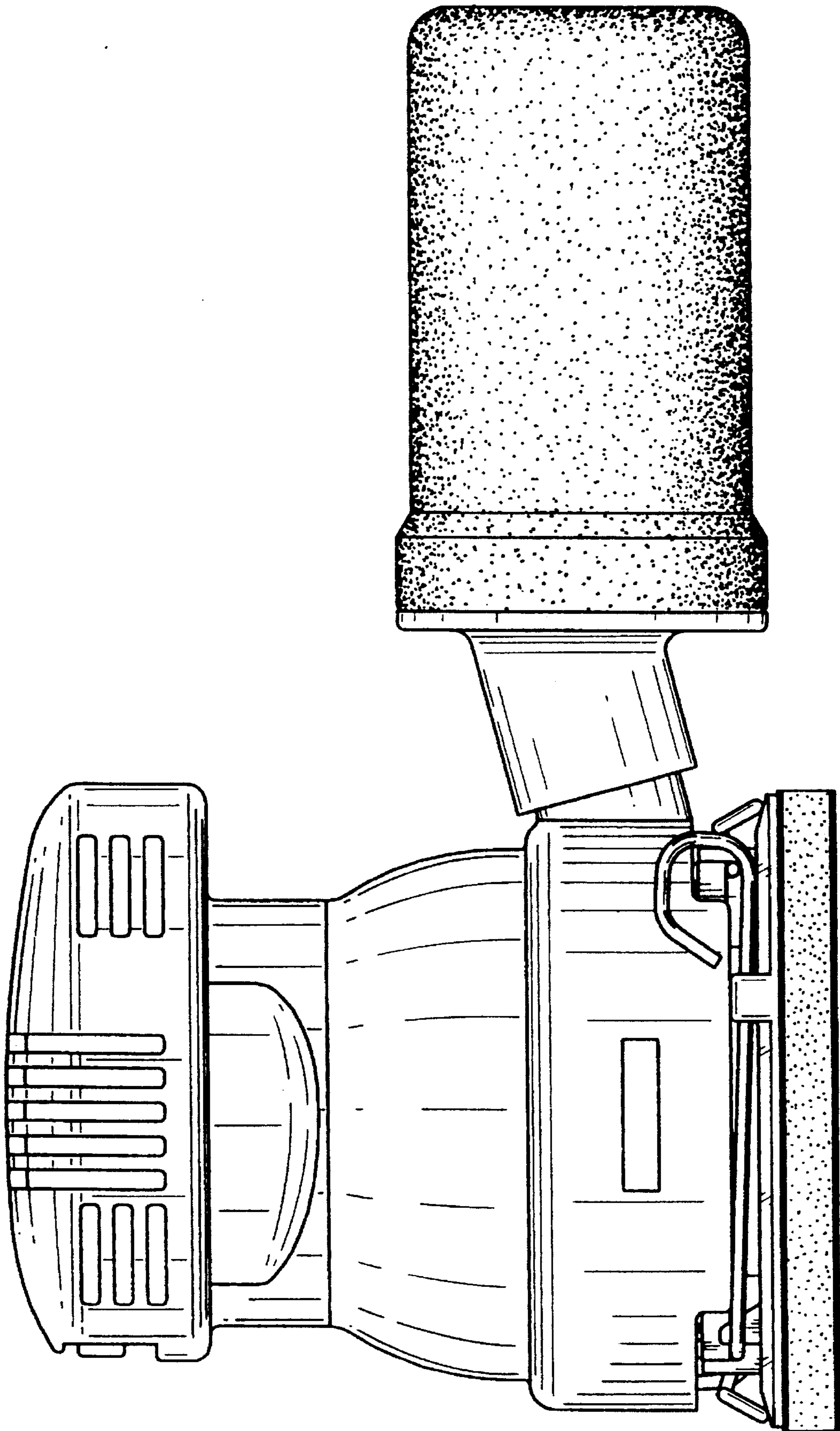


FIG. 4

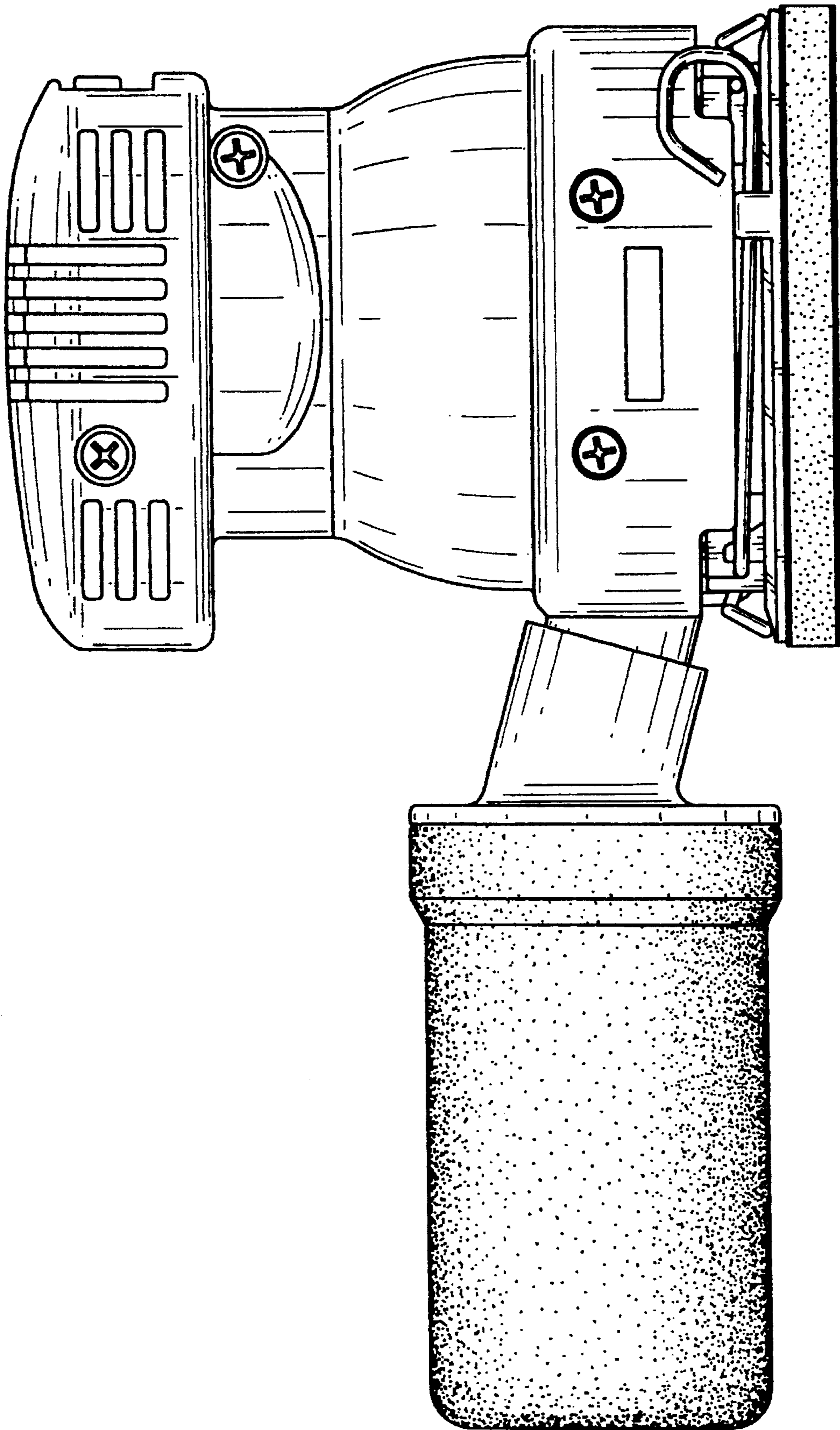


FIG. 5

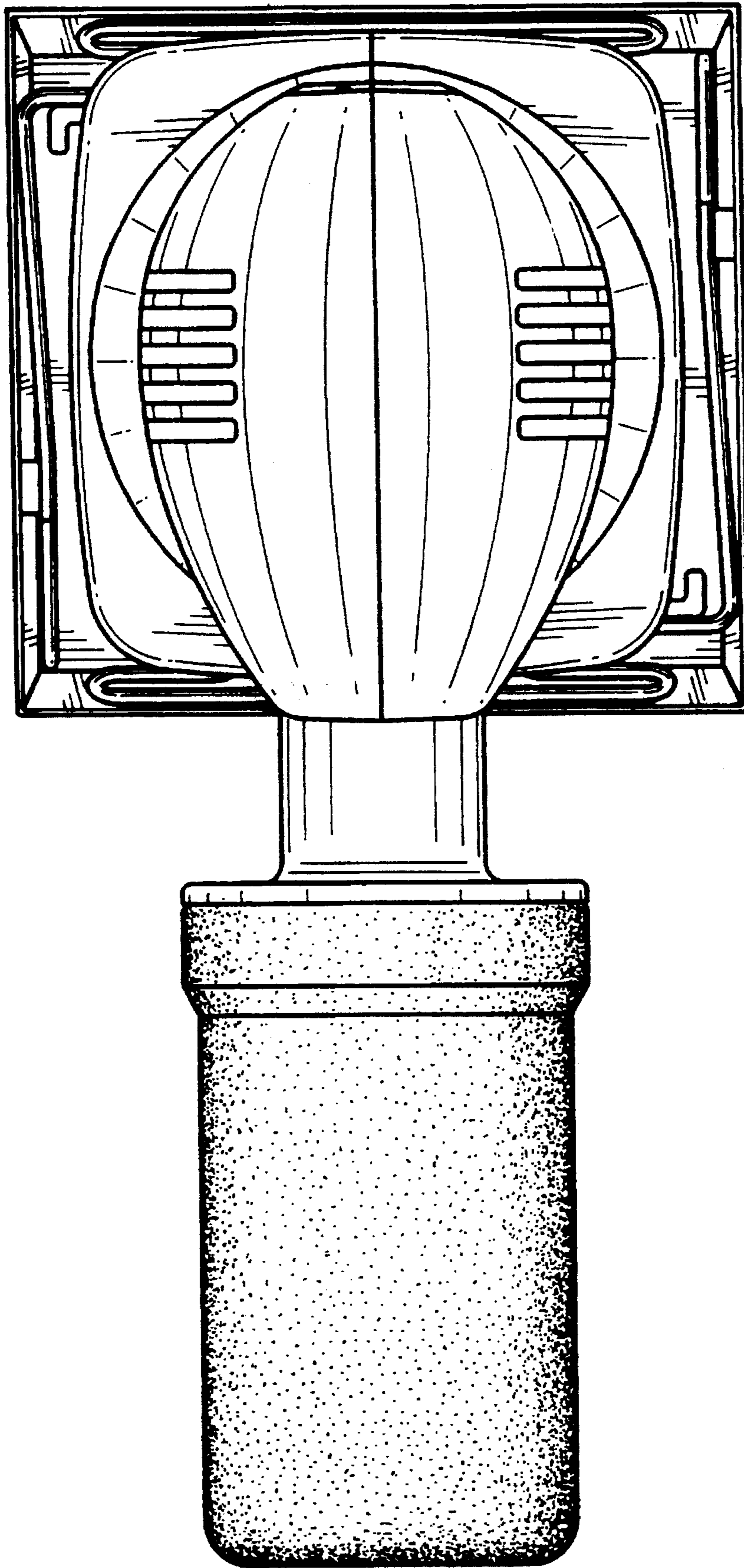


FIG. 6

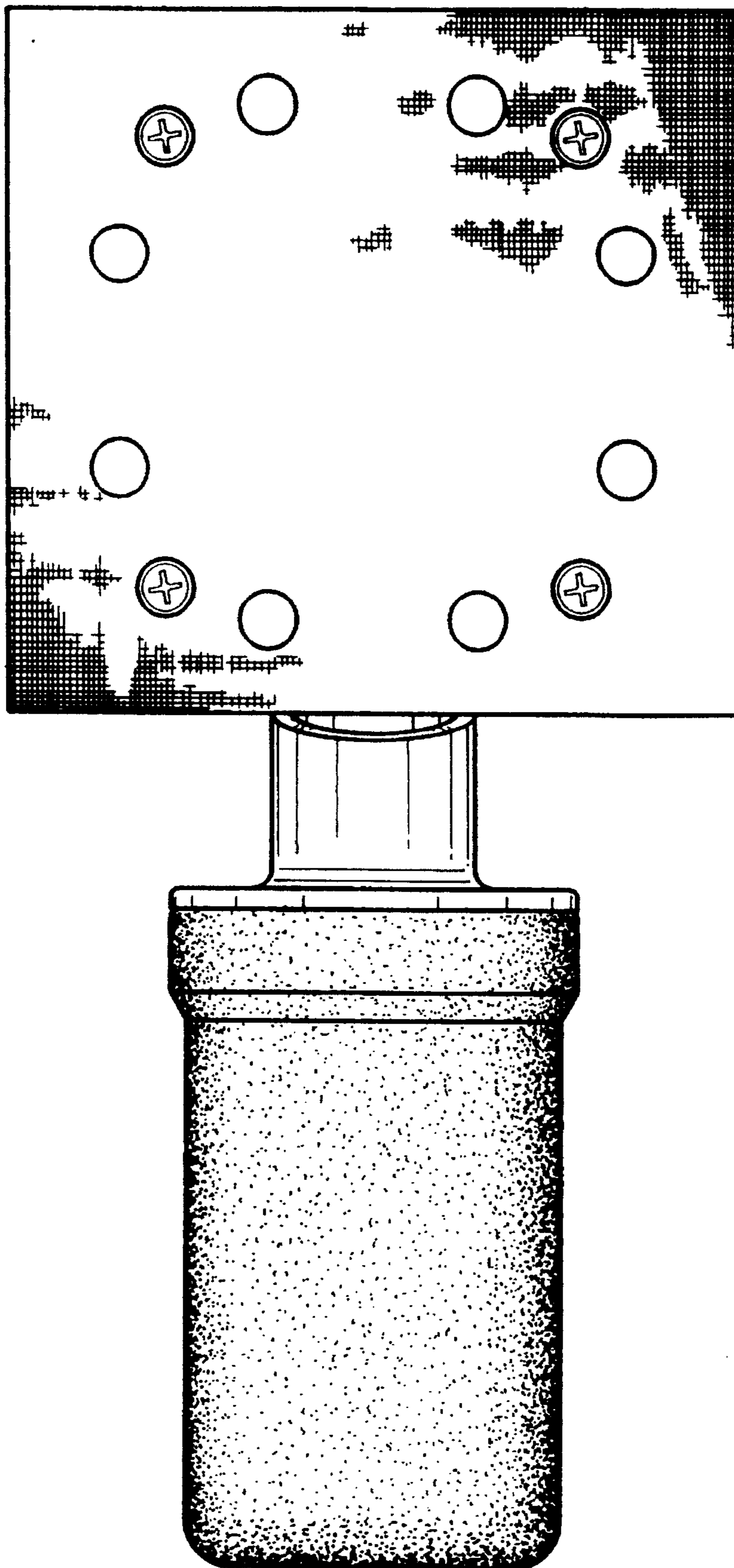


FIG. 7