



US00D376302S

United States Patent [19]

[11] **Patent Number: Des. 376,302**

Tsai

[45] **Date of Patent: **Dec. 10, 1996**

[54] **HEATING TORCH**

5,079,405 1/1992 Pierce 219/136

[76] Inventor: **Chin-Lin Tsai**, 3F., No. 94, Sec. 4,
Chung Hsin Rd., San Chung City,
Taiwan

OTHER PUBLICATIONS

Interlas Electrode Holder No. 4, Falstrom Welding Products
Division Catalog Sheet, dated Jul. 1968. Located in exam-
iner's office.

[**] Term: **14 Years**

Primary Examiner—B. J. Bullock
Assistant Examiner—Robert M. Spear
Attorney, Agent, or Firm—Bucknam and Archer

[21] Appl. No.: **44,337**

[22] Filed: **Sep. 21, 1995**

[52] **U.S. Cl.** **D8/29.1**

[57] CLAIM

[58] **Field of Search** D8/29.1, 29.2,
D8/30, 61, 68, 107; D27/141; 219/60.2,
74, 136, 137.42, 138; 222/189.01; 228/19,
902

The ornamental design for a heating torch, as shown and
described.

DESCRIPTION

[56] References Cited

U.S. PATENT DOCUMENTS

D. 139,796	12/1944	Terry	D15/138
D. 195,442	6/1963	Davis, Jr.	D8/29.2
D. 335,804	5/1993	Burgin	D8/30
D. 338,142	8/1993	Sarkissian	D8/30
D. 360,281	7/1995	Kim	D27/141
2,564,812	8/1951	McGuire	81/177.1
3,384,734	5/1968	Jakobsson	219/60.2
4,880,377	11/1989	Ficho	D27/141 X
5,045,665	9/1991	Sarkissian	219/136

FIG. 1 is a front elevational view of heating torch showing
my design;

FIG. 2 is a right side view thereof;

FIG. 3 is a top elevational view thereof;

FIG. 4 is a bottom elevational view thereof;

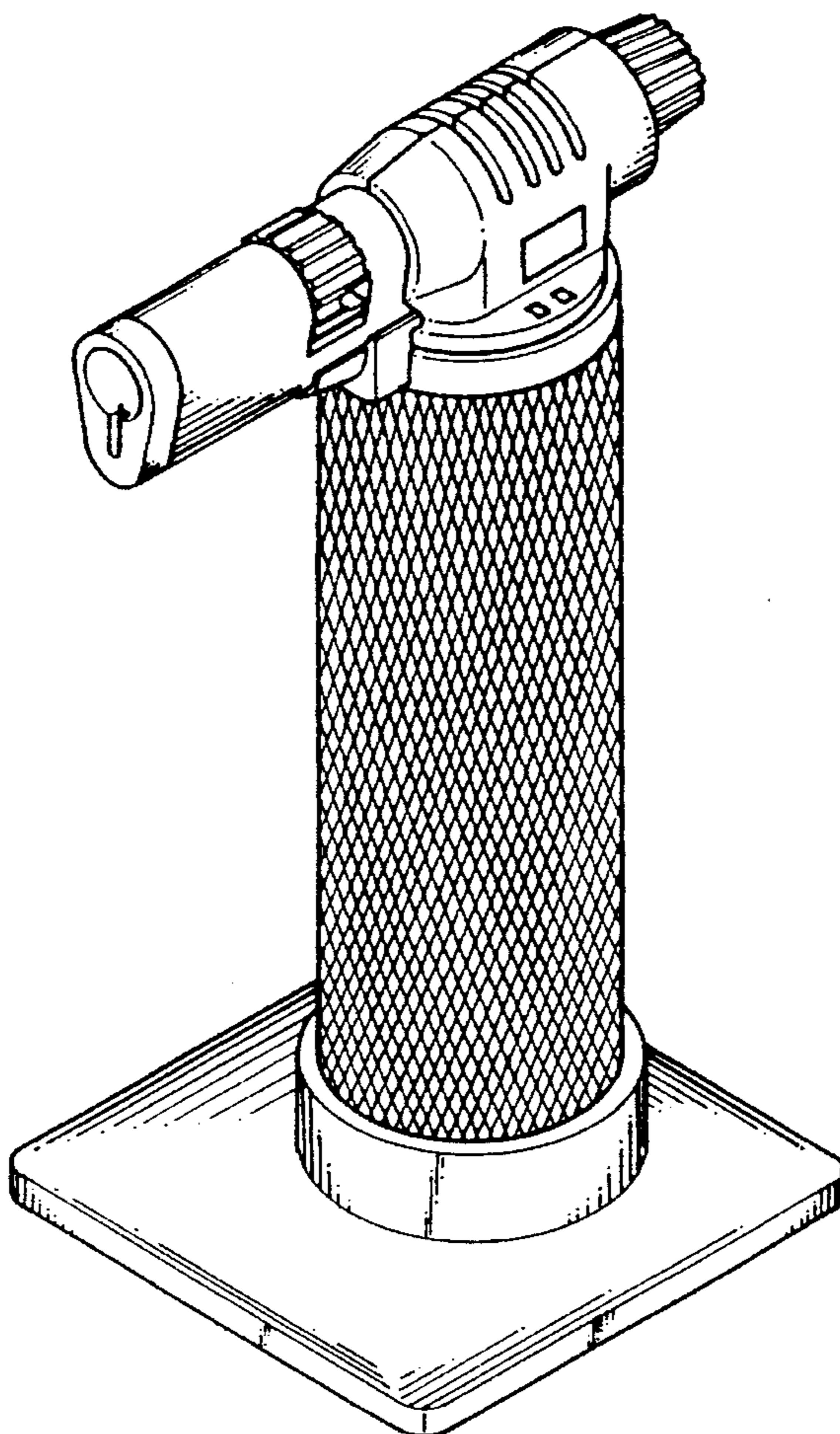
FIG. 5 is a rear elevational view thereof;

FIG. 6 is a left side view thereof;

FIG. 7 is a perspective view thereof; and,

FIG. 8 is a perspective view thereof, showing the base
removed for ease of disclosure.

1 Claim, 5 Drawing Sheets



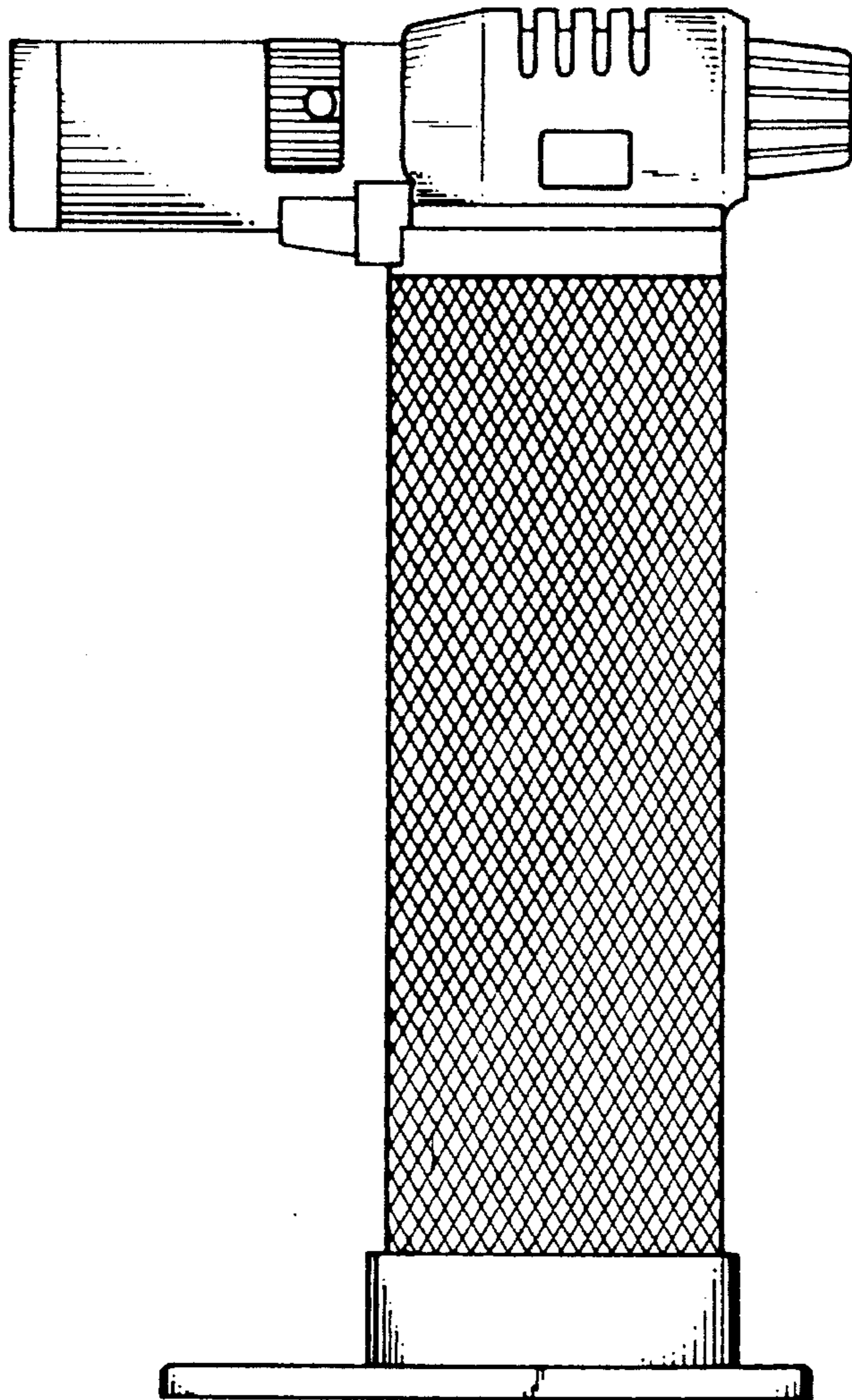


FIG.1

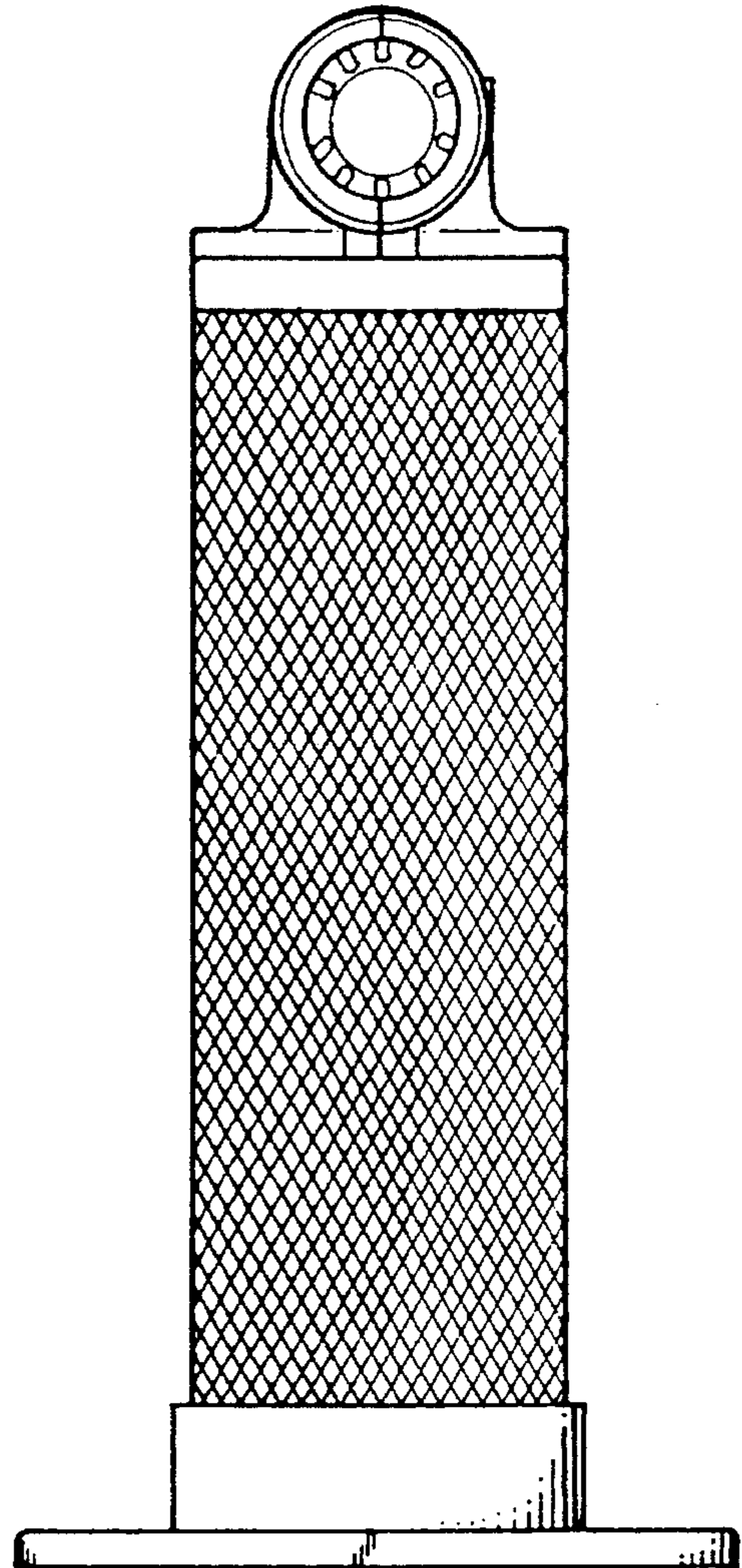


FIG.2

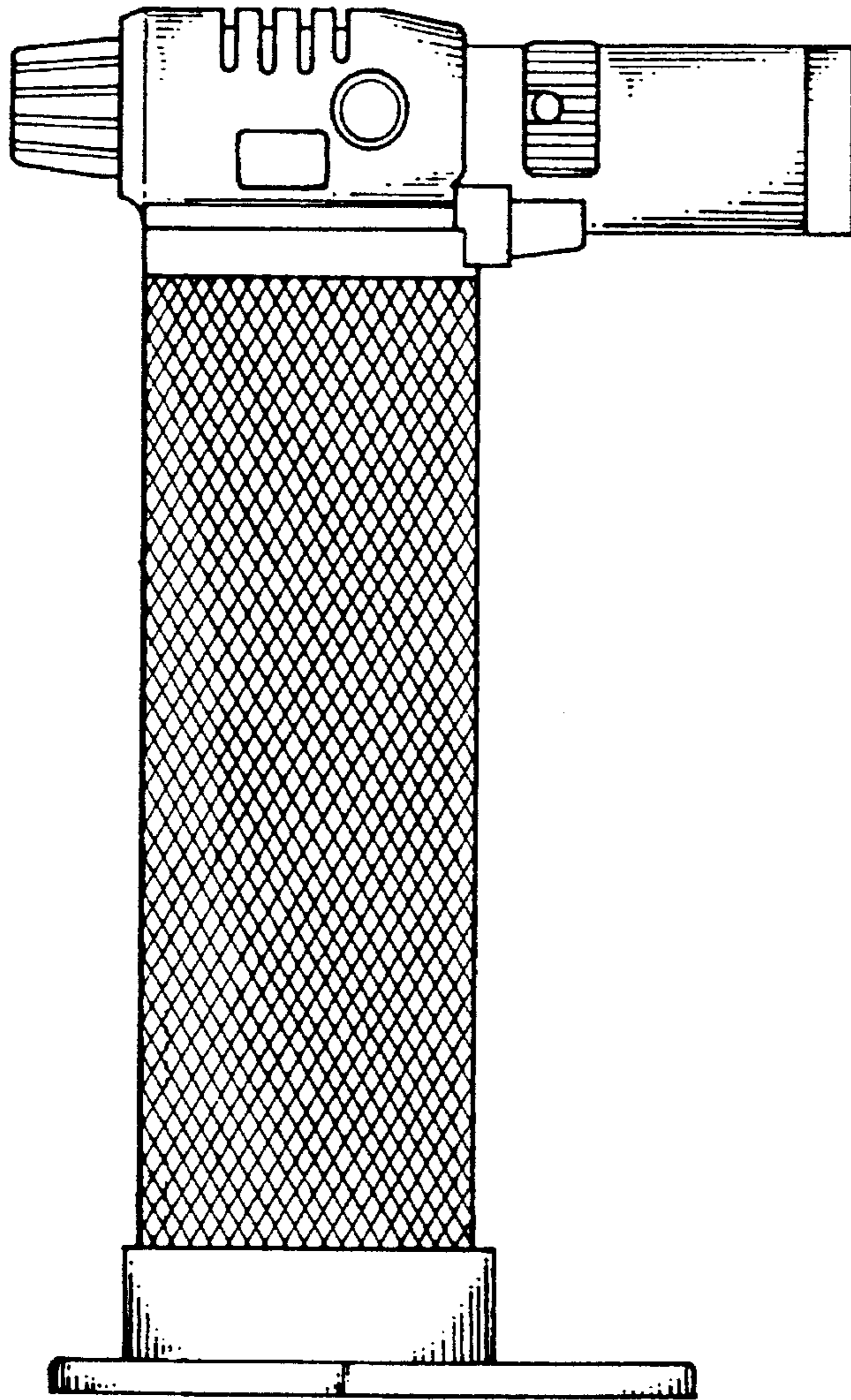


FIG. 5

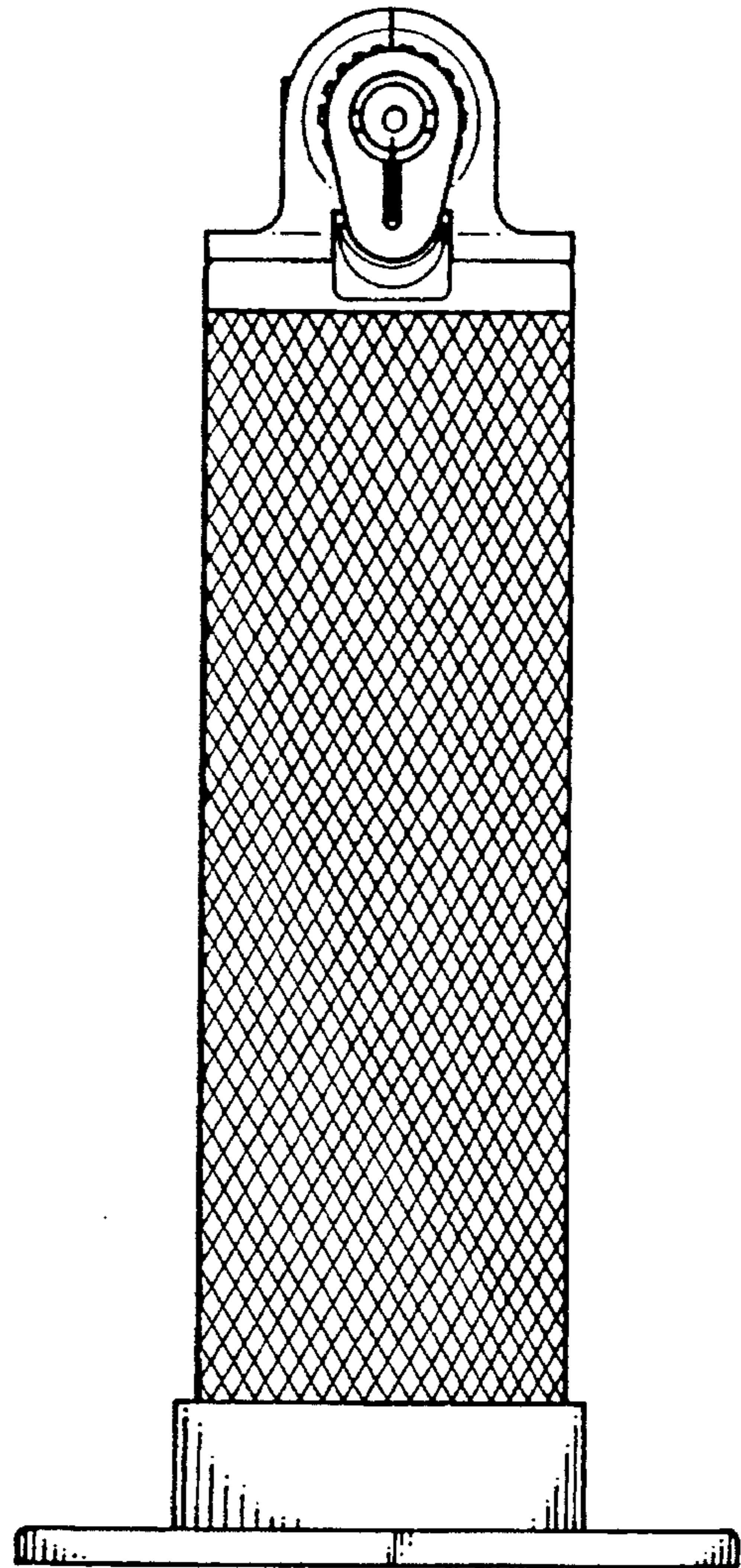


FIG. 6

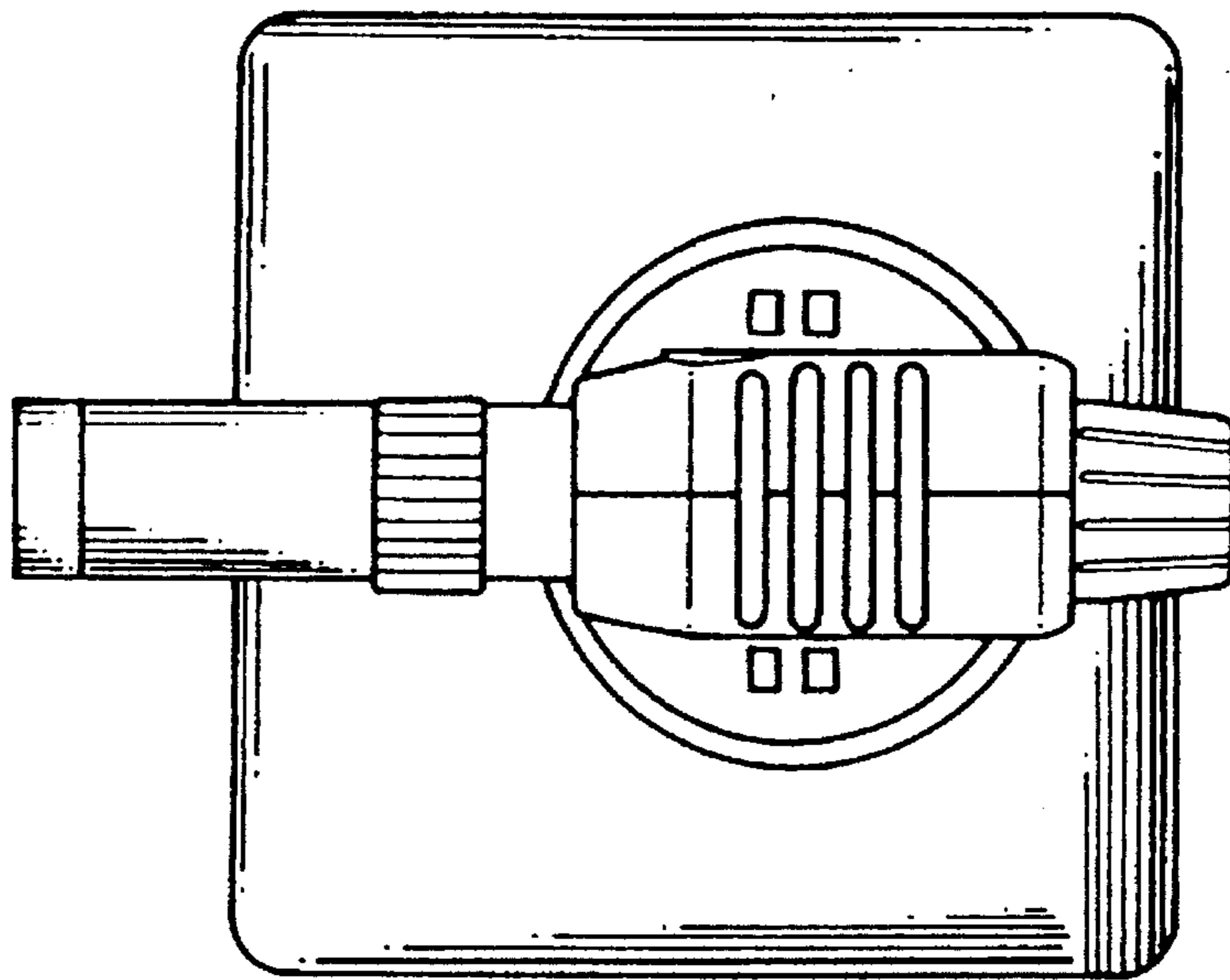


FIG. 3

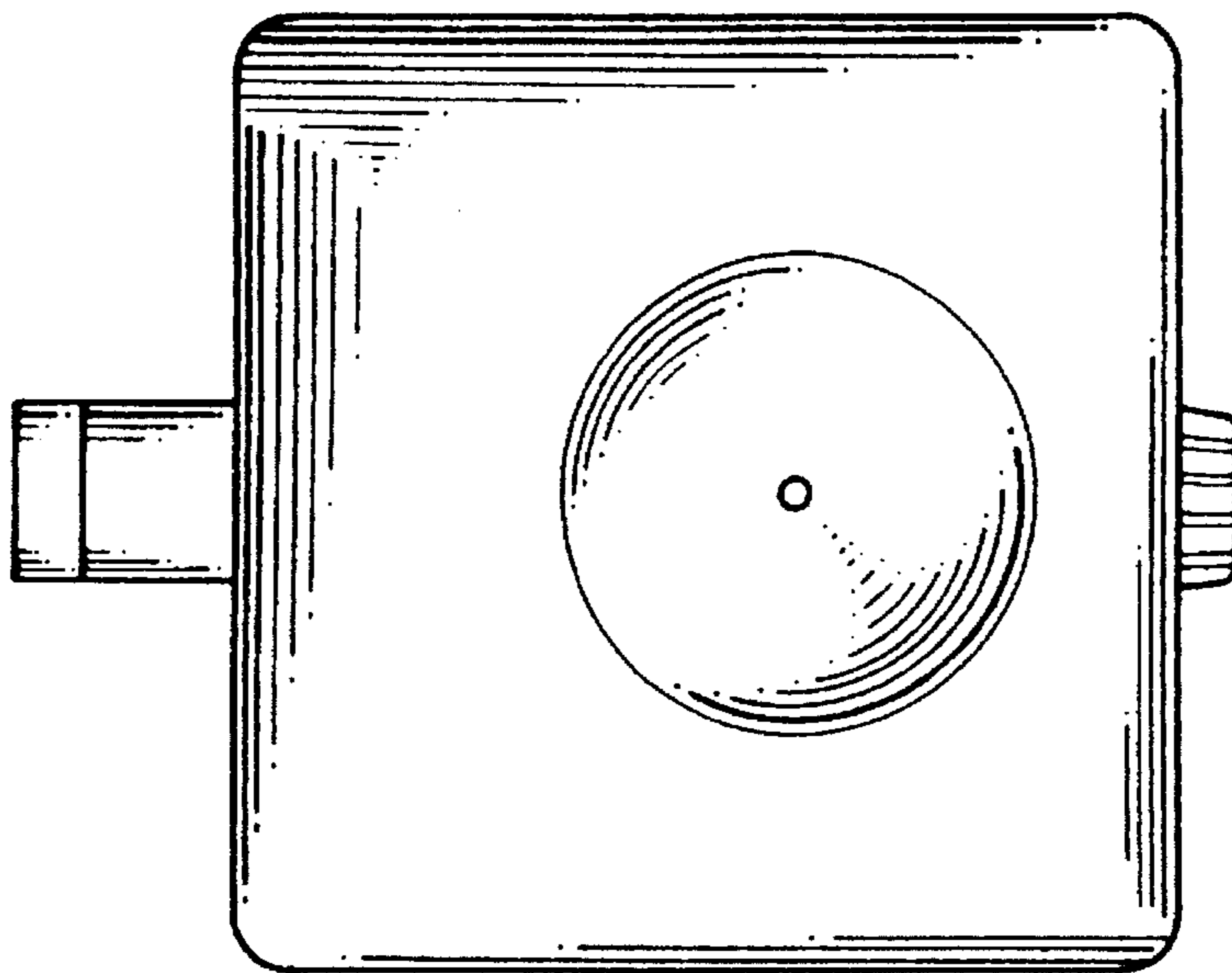


FIG. 4

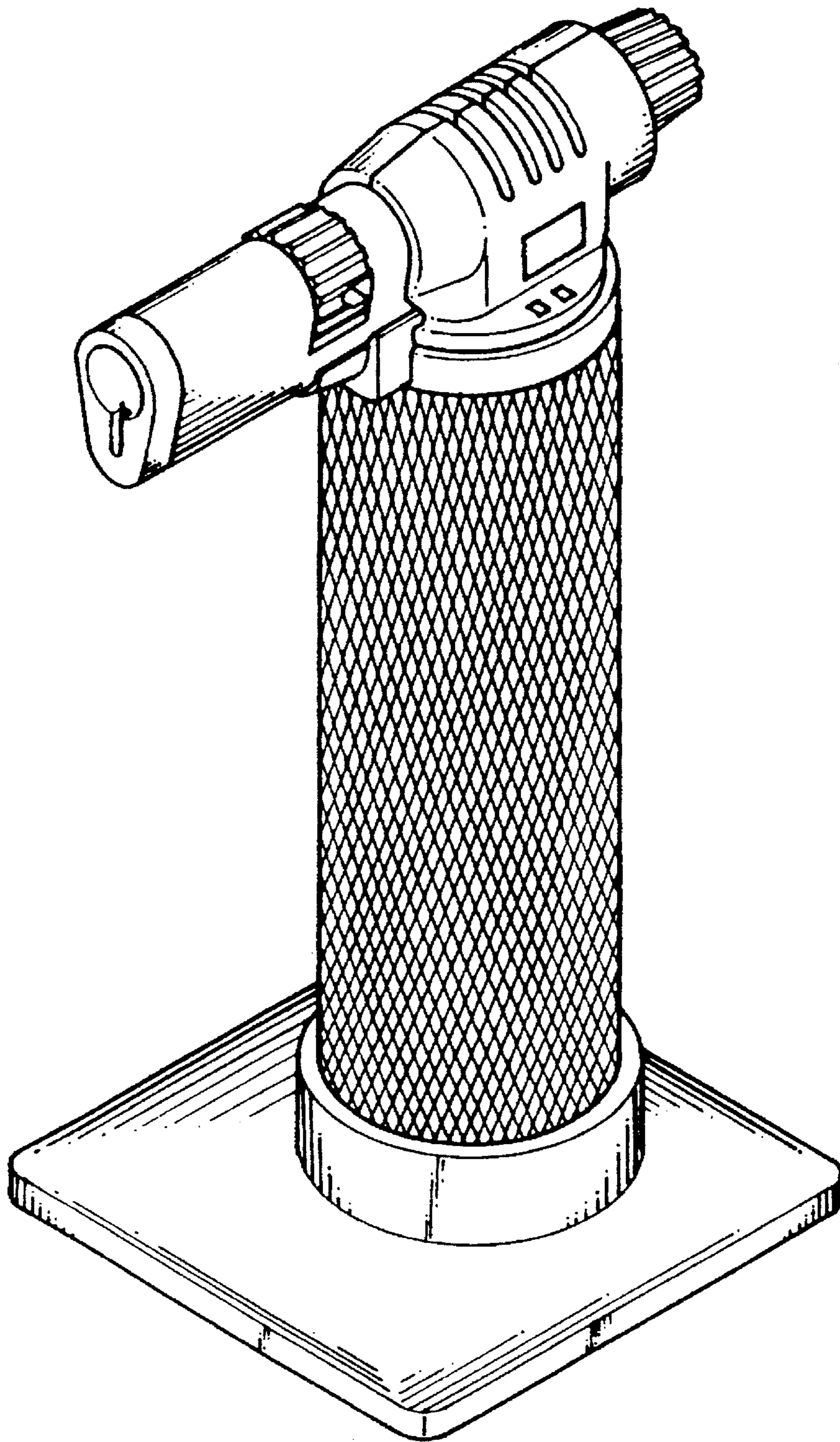


FIG. 7

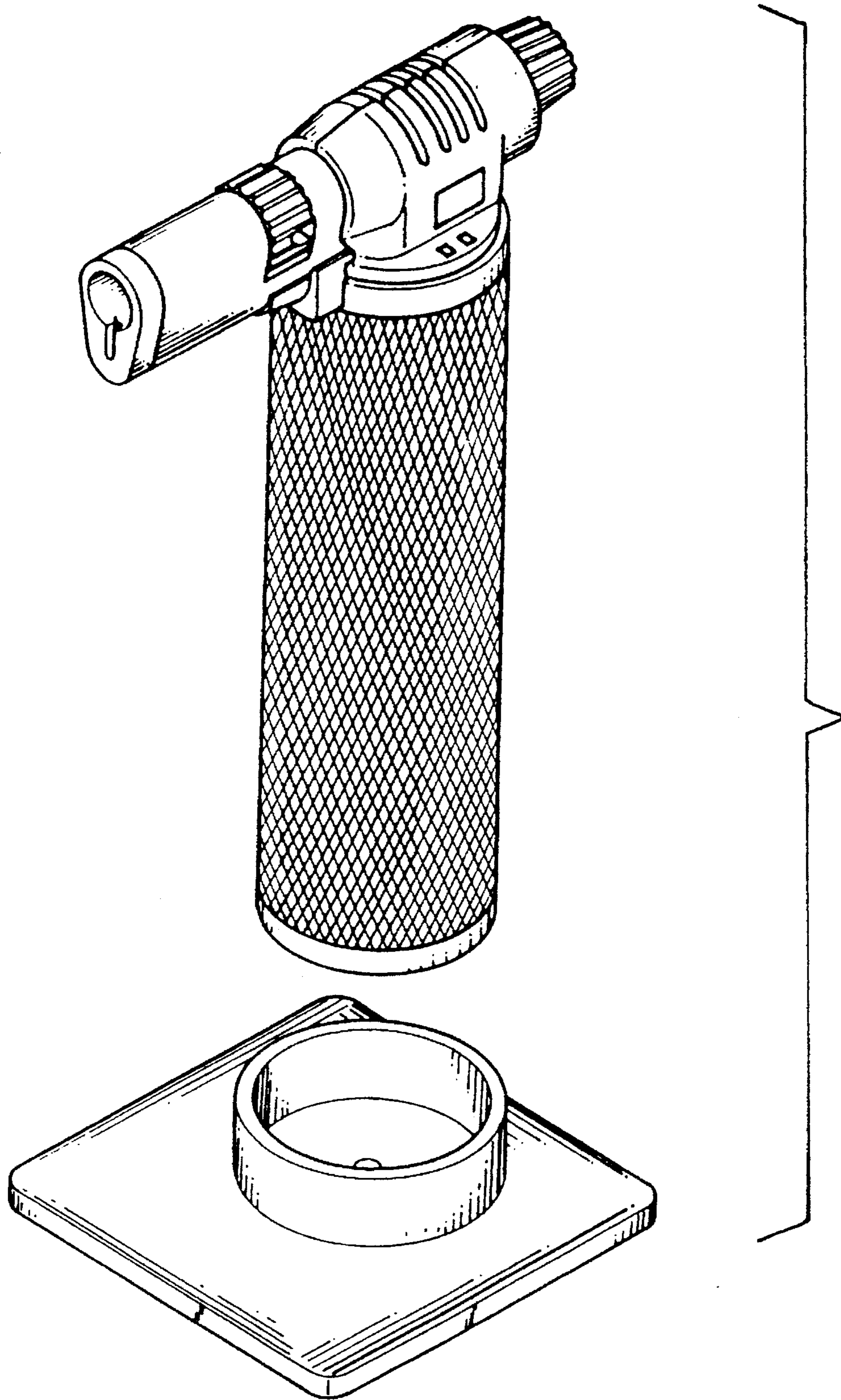


FIG. 8