



US00D376295S

# United States Patent [19]

Ahern, Jr. et al.

[11] Patent Number: Des. 376,295

[45] Date of Patent: \*\*Dec. 10, 1996

- [54] SECTIONED FOOD DISH
- [75] Inventors: **Richard B. Ahern, Jr.**, Akron; **Dennis Jenkins**, Medina, both of Ohio
- [73] Assignee: **Rubbermaid Incorporated**, Wooster, Ohio
- [\*\*] Term: **14 Years**
- [21] Appl. No.: **37,557**
- [22] Filed: **Apr. 17, 1995**
- [52] U.S. Cl. .... **D7/549; D7/555; D7/553**
- [58] Field of Search ..... D7/584, 566, 568, D7/570, 508, 555, 361, 354, 560, 565, 540, 538, 502, 506, 547, 548, 549, 550, 551, 552, 553, 554, 556, 557, 585, 586, 588, 571, 539, 523, 543, 544, 542, 505, 546; D9/428, 429, 341, 425; 220/555, 671, 575, 427; D30/129, 130

4,795,056 1/1989 Meyers ..... 220/306  
 4,809,868 3/1989 Pomroy ..... 220/260

### OTHER PUBLICATIONS

American Permanent Ware (No. AP 201).  
 Catalog page, Food storage containers and lids; Eagle Affiliates Inc., 101—01 Avenue D, Brooklyn, New York 11236. Publication date 1992.  
 P. 37, Food storage containers and lids; Anchor Hocking Glass Company, a Newell Company, Lancaster, Ohio 43130. Published at least as early as Jan. 1995.  
 P. 41, Food storage containers and lids; Tupperware Home Parties, P. O. Box 2353. Orlando, Florida. Published at least as early as Jan., 1995.  
 Pp. 12 and 14, Food storage containers and lids; Tupperware Home Parties, P. O. Box 2353, Orlando, Florida. Publication date Fall 1992.  
 Pp. 12 and 13, Food storage containers and lids; Tucker Housewares, a Mobil Company, 25 Tucker Drive, Leominster, Massachusetts 01453. Publication date 1993.  
 P. 12, Food storage containers and lids; Curver b.v., Takkebijsters 75, Postbus 6810, 4802 HV Breda, The Netherlands. Publication date 1992.

### [56] References Cited

#### U.S. PATENT DOCUMENTS

D. 4,766	9/1911	Bender .....	D7/557
D. 41,986	12/1911	Smith .....	D7/555
D. 83,595	3/1931	Boardman .....	D7/556
D. 112,920	1/1939	Baker .....	D7/549
D. 142,283	8/1945	Hirsch .....	D7/549
D. 246,275	11/1977	Wiley .....	D7/549
D. 246,342	11/1977	Yonkers .....	D7/1
D. 291,042	7/1987	Fahey et al. ....	D7/555
D. 297,088	8/1988	Finsilver et al. ....	D7/584 X
D. 339,030	9/1993	Bitel, Sr. ....	D7/553 X
D. 350,669	9/1994	Conti .....	D7/360
D. 350,880	9/1994	VanValkenburg, et al. ....	D7/629
D. 352,423	11/1994	Laib .....	D7/538
D. 354,436	1/1995	Krupa .....	D9/423
D. 357,161	4/1995	Booten .....	D7/605
2,172,140	9/1939	Kieft .....	220/575 X
3,391,816	7/1968	Swett .....	220/22
3,708,086	1/1973	Colato .....	220/575
3,957,097	5/1976	Swett .....	150/0.5
4,499,998	2/1985	Carlson .....	206/541
4,561,562	12/1985	Trombly .....	220/306
4,765,506	8/1988	Fishman et al. ....	220/355

(List continued on next page.)

*Primary Examiner*—M. N. Pandozzi  
*Attorney, Agent, or Firm*—Richard B. O’Planick; Lisa B. Riedesel

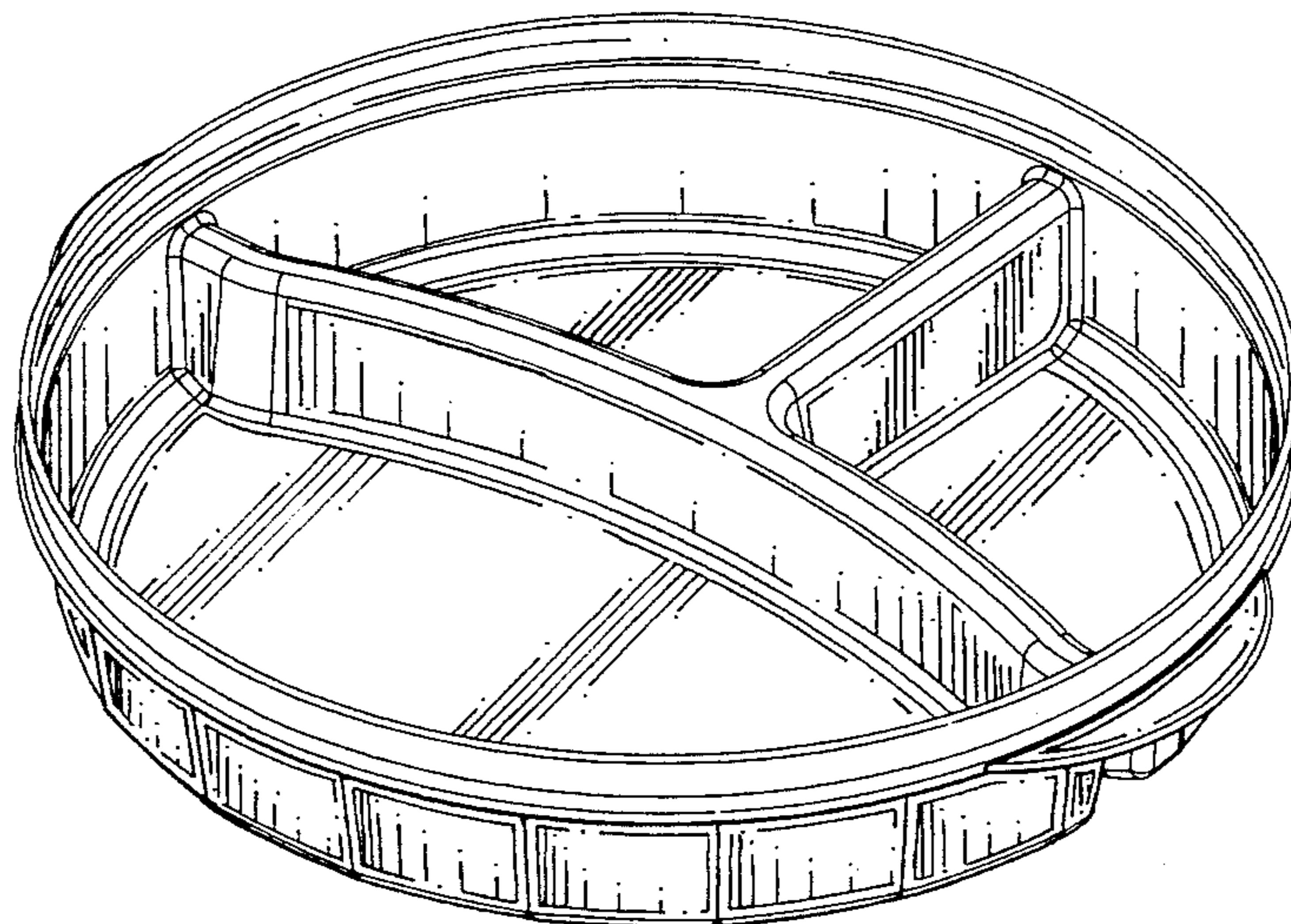
### [57] CLAIM

The ornamental design for a sectioned food dish, as shown and described.

### DESCRIPTION

FIG. 1 is a top right front perspective view of a sectioned food dish showing our new design;  
 FIG. 2 is a top plan view thereof;  
 FIG. 3 is a right side elevational view thereof; the left side elevational view being a mirror image;  
 FIG. 4 is a rear elevational view thereof;  
 FIG. 5 is a bottom plan view thereof; and,  
 FIG. 6 is a front elevational view thereof.

1 Claim, 5 Drawing Sheets



OTHER PUBLICATIONS

Pp. 20 and 23, Food storage containers and lids; Dupol—Rubbermaid GmbH, An der Trift 63, D—6072 Dreieich, West Germany. Publication date 1989.

P. 13, Food storage containers and lids; Rubbermaid Incorporated, 1147 Akron Road, Wooster, Ohio 44691. Publication date 1986.

Catalog page, Food storage containers and lids; Rubbermaid Incorporated, 1147 Akron Road, Wooster, Ohio 44691. Publication date 1992.

Catalog page, Food storage containers and lids; Rubbermaid

Incorporated, 1147 Akron Road, Wooster, Ohio 44691. Publication date 1991.

Catalog page, Food storage containers and lids; Rubbermaid Incorporated, 1147 Akron Road, Wooster, Ohio 44691. Publication date 1995.

Catalog page, Food storage containers and lids; Rubbermaid Incorporated, 1147 Akron Road, Wooster, Ohio 44691. Publication date 1995.

Catalog page, Food storage containers and lids; Rubbermaid Incorporated, 1147 Akron Road, Wooster, Ohio 44691. Publication date 1992.

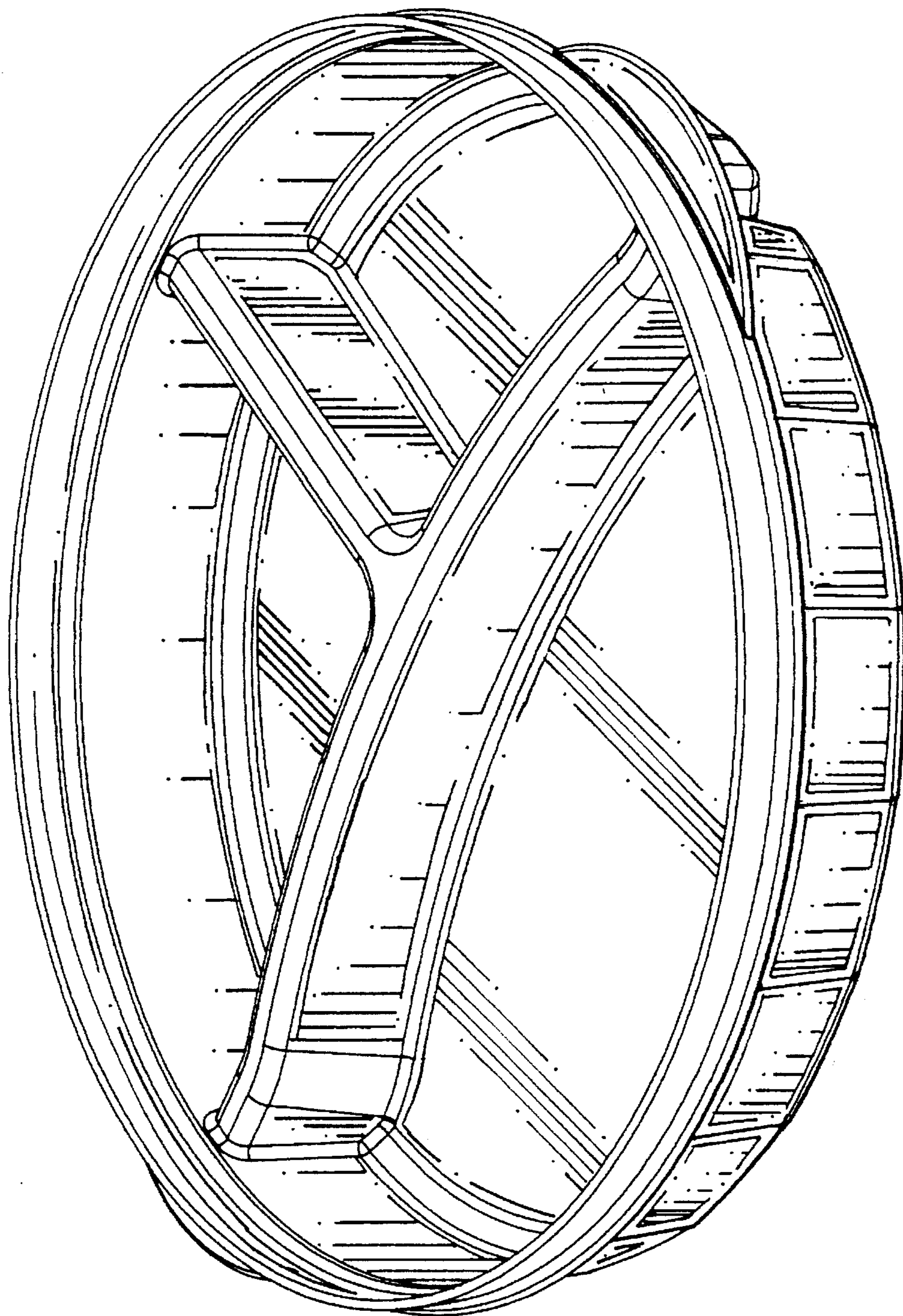


FIG. 1

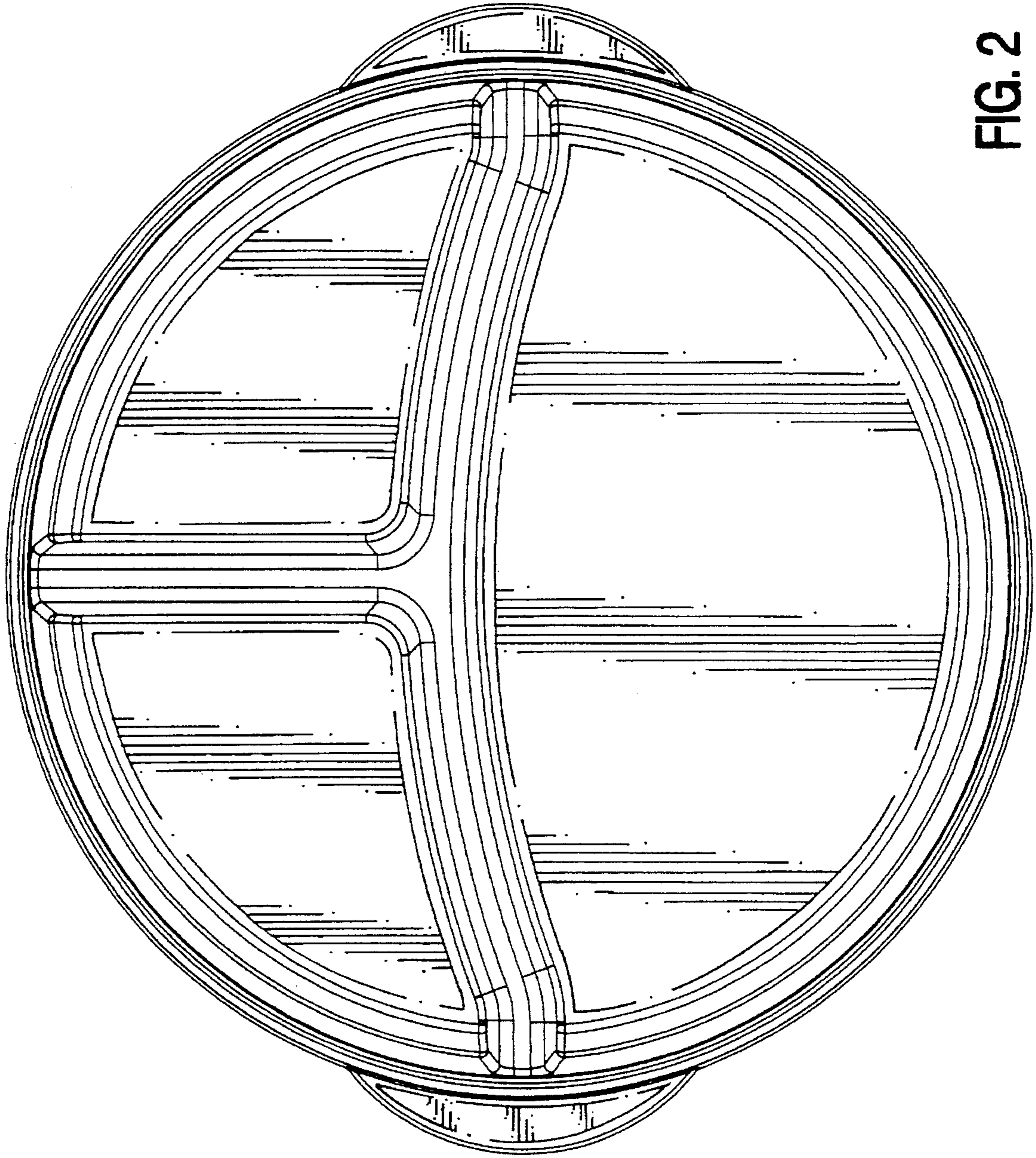


FIG. 2

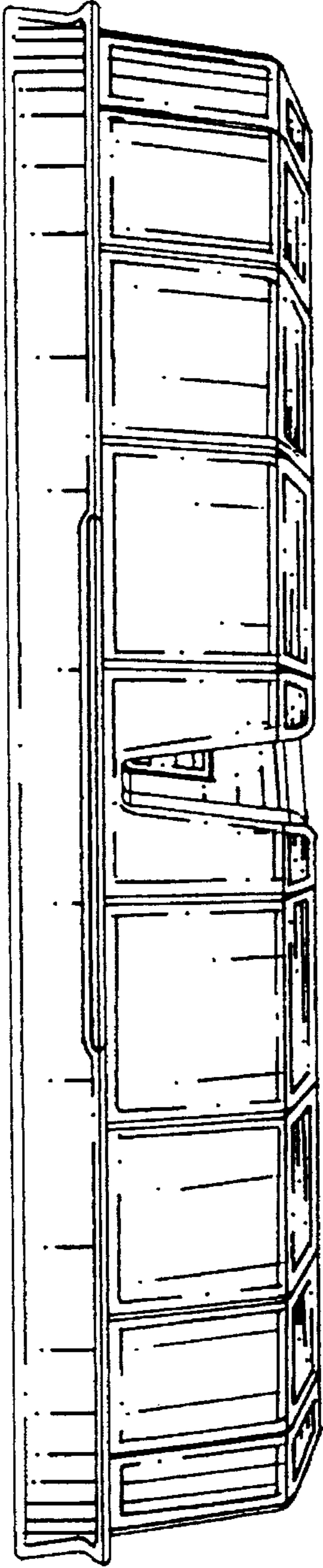


FIG. 3

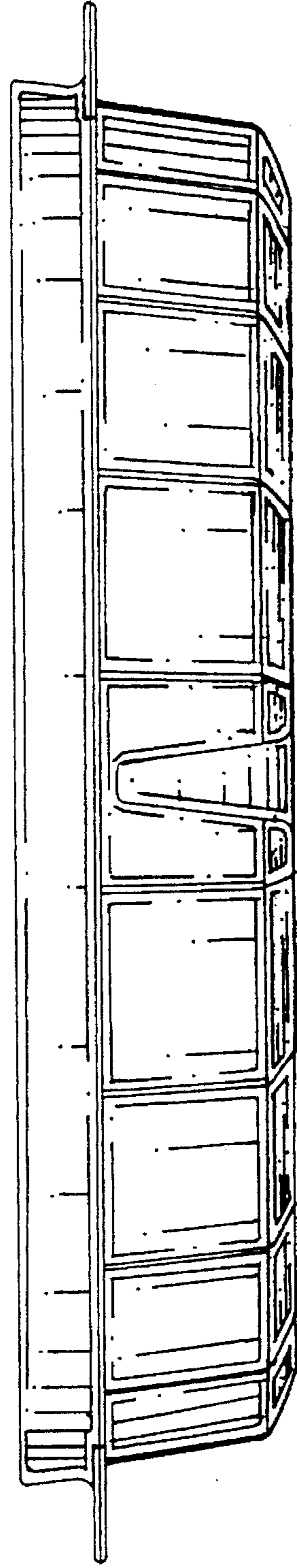


FIG. 4

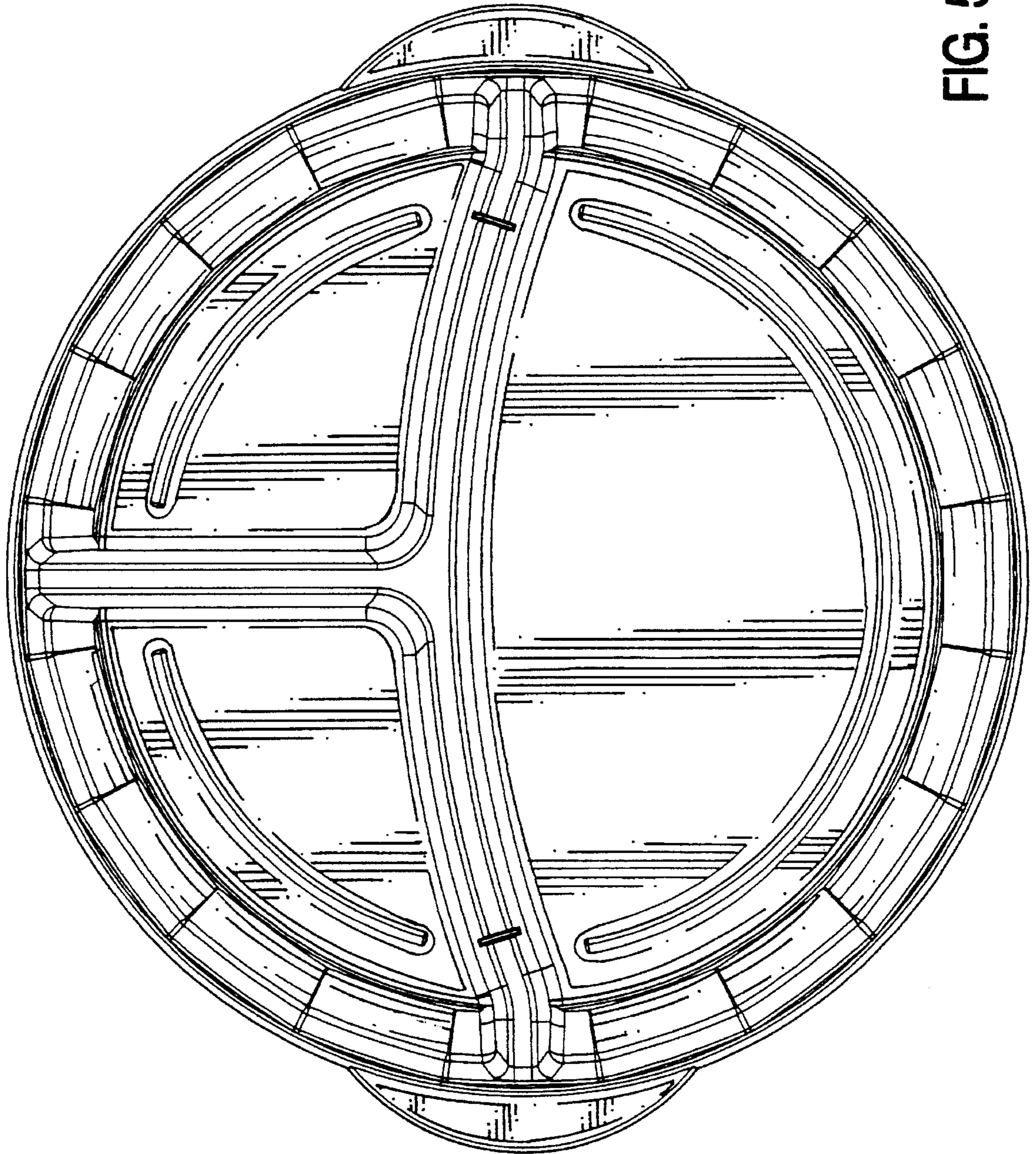


FIG. 5

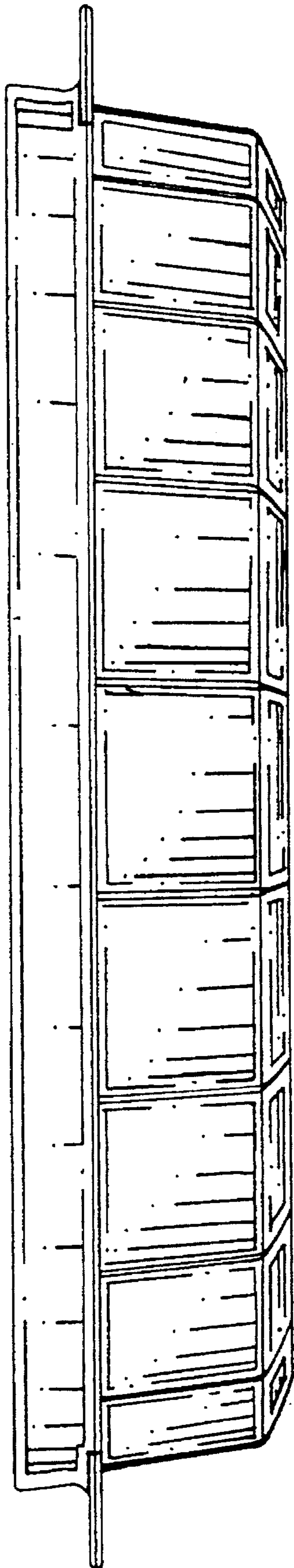


FIG. 6