



US00D376294S

United States Patent [19]

[11] **Patent Number: Des. 376,294**

Bannigan

[45] **Date of Patent: **Dec. 10, 1996**

[54] **POD FOR AN ELECTRICAL APPLIANCE**

2,291,421	7/1942	Tannehill	219/464
4,481,407	11/1984	Stokes et al.	219/467
4,755,655	7/1988	Reiche et al.	D7/407

[75] Inventor: **Francis R. Bannigan**, Huntingdale, Australia

Primary Examiner—Nelson C. Holtje
Assistant Examiner—Caron D. Veynar
Attorney, Agent, or Firm—Larson and Taylor

[73] Assignee: **Kambrook Distributing Pty. Ltd.**, Hungtindale, Australia

[**] Term: **14 Years**

[57] **CLAIM**

[21] Appl. No.: **28,268**

The ornamental design for a pod for an electrical appliance, as shown.

[22] Filed: **Sep. 15, 1994**

DESCRIPTION

[30] **Foreign Application Priority Data**

FIG. 1 is a plan view from above of the pod for an electrical appliance;

Jul. 8, 1994 [AU] Australia 2133/94

[52] **U.S. Cl.** **D7/407**

FIG. 2 is a front view of the pod for an electrical appliance;

[58] **Field of Search** D7/346, 402, 407;
D23/419; 219/441, 464-468, 446, 449,
452; 129/39 E, 39 J

FIG. 3 is a plan view from beneath of the pod for an electrical appliance;

FIG. 4 is a rear view of the pod for an electrical appliance;

FIG. 5 is a left side view of the pod for an electrical appliance; and,

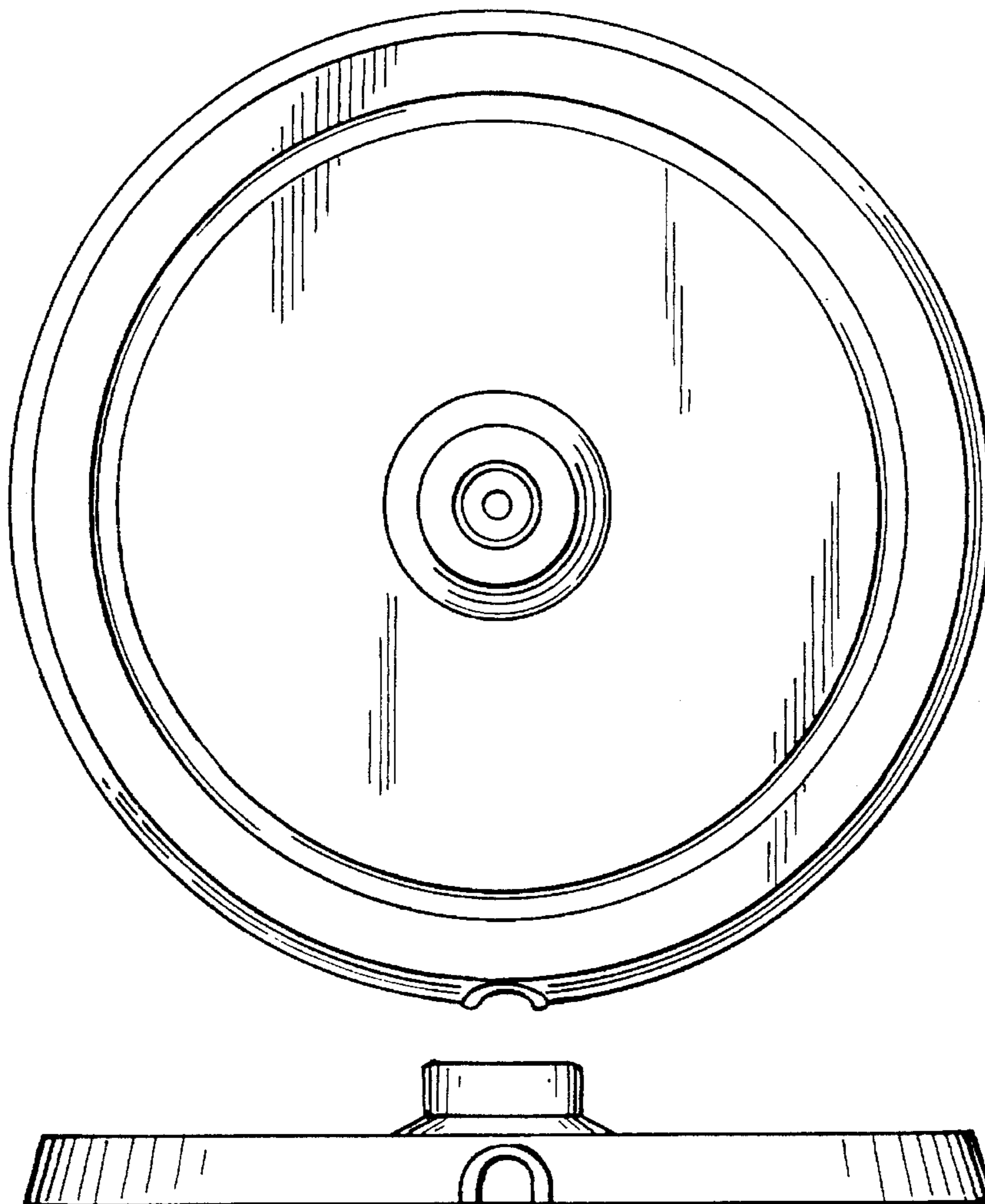
FIG. 6 is a right side view of the pod for an electrical appliance.

[56] **References Cited**

U.S. PATENT DOCUMENTS

D. 264,673	6/1982	Schreder	D7/346
D. 285,280	8/1986	Fischer et al.	D7/407

1 Claim, 2 Drawing Sheets



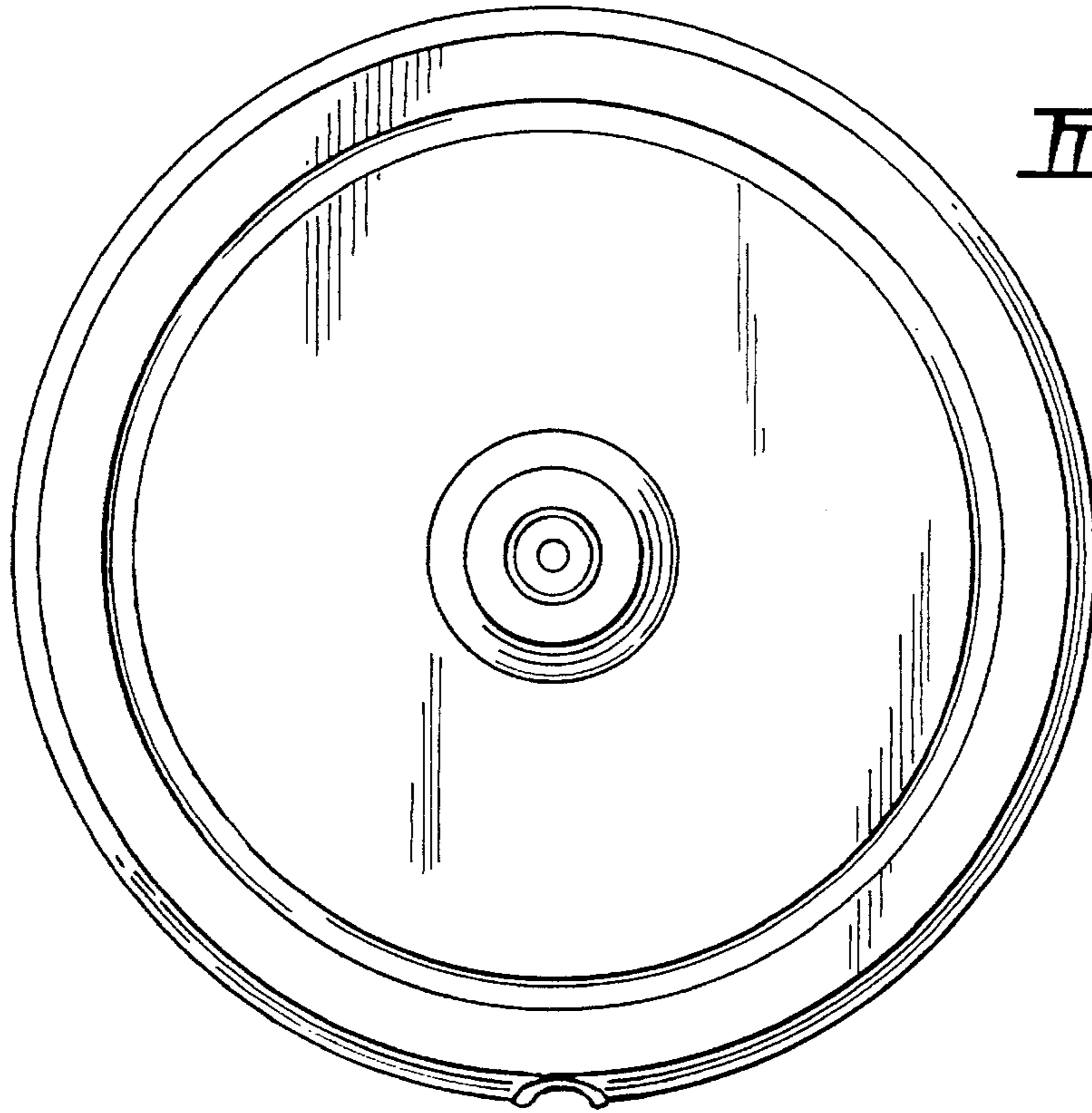


FIG. 1.

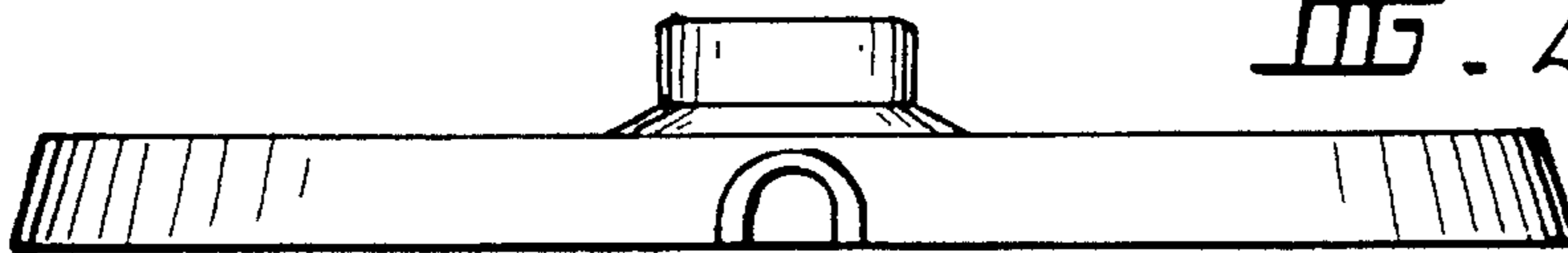


FIG. 2.

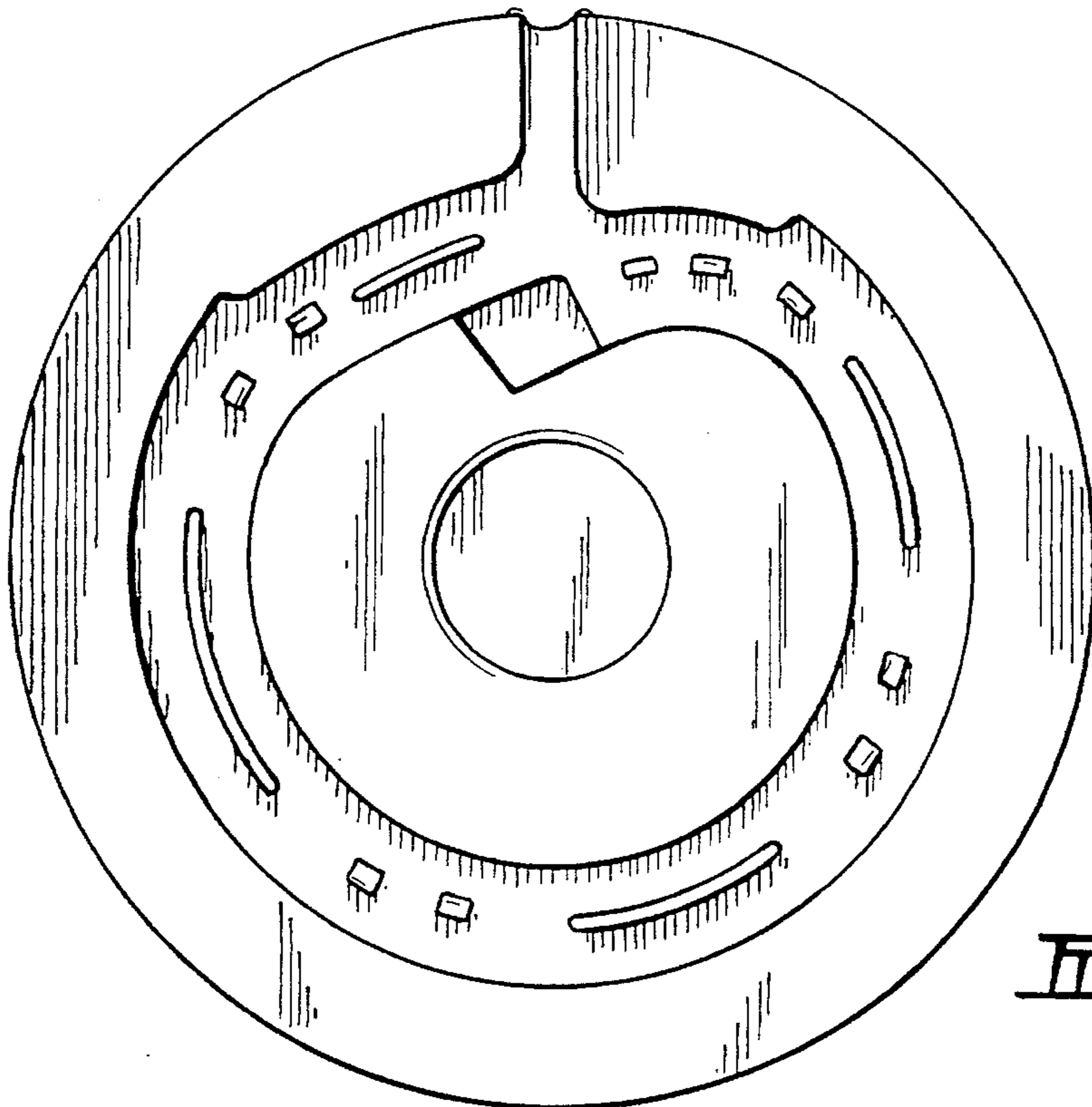


FIG. 3.

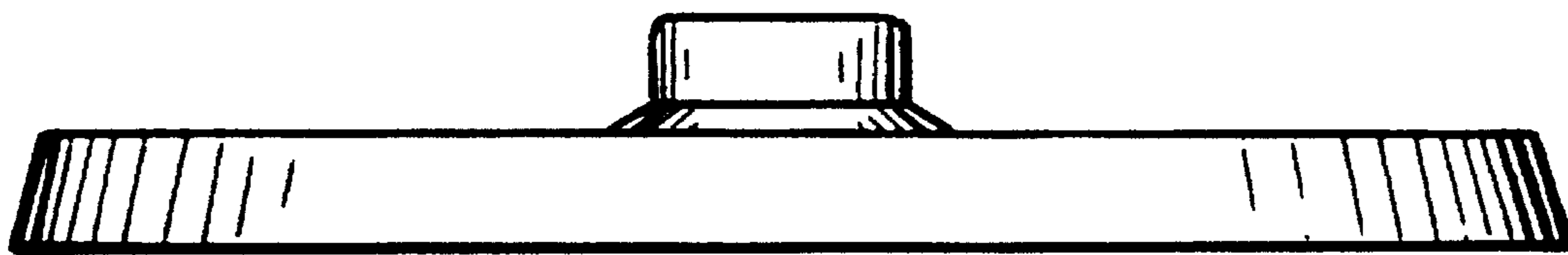


FIG. 4.

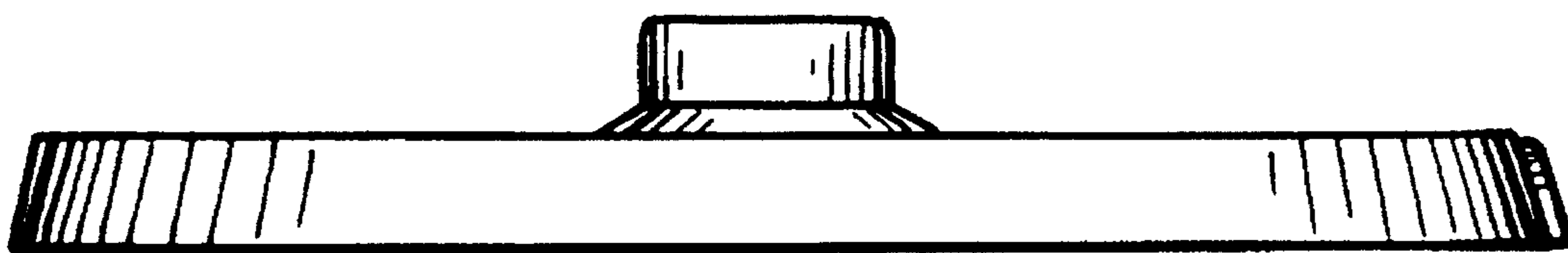


FIG. 5.

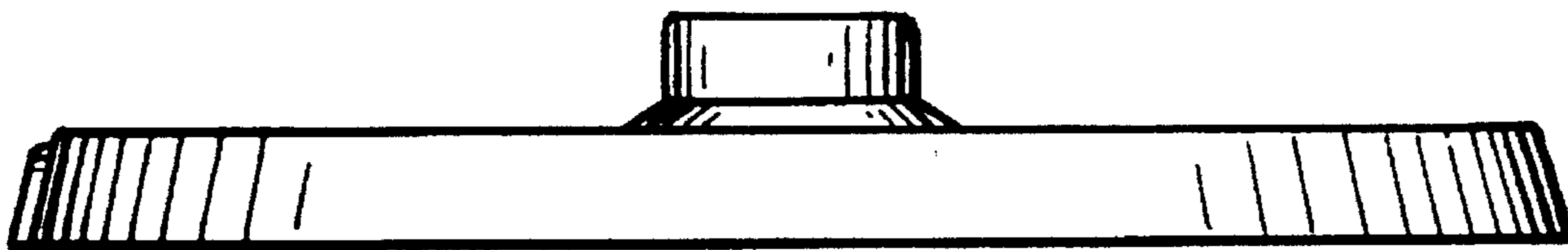


FIG. 6.