



US00D376285S

United States Patent [19]

Grippto

[11] Patent Number: **Des. 376,285**

[45] Date of Patent: ****Dec. 10, 1996**

[54] SOAP-DISH

[76] Inventor: **James P. Grippto**, 2290 William Penn Hwy., Pittsburgh, Pa. 15235

[**] Term: **14 Years**

[21] Appl. No.: **46,117**

[22] Filed: **Nov. 7, 1995**

[52] U.S. Cl. **D6/536**

[58] Field of Search D6/536-540; 211/60.1, 211/87, 88; 206/77.1

D. 362,986 10/1995 Kuan D6/536
2,457,918 1/1949 Pierce 206/77.1

Primary Examiner—Brian N. Vinson
Attorney, Agent, or Firm—James Ray & Associates

[57] CLAIM

The ornamental design for a soap-dish, as shown and described.

DESCRIPTION

FIG. 1 is a perspective view of a soap-dish showing the design;

FIG. 2 is a front elevational view thereof;

FIG. 3 is a top elevational view thereof;

FIG. 4 is a right side elevational view thereof;

FIG. 5 is a left side elevational view thereof; and,

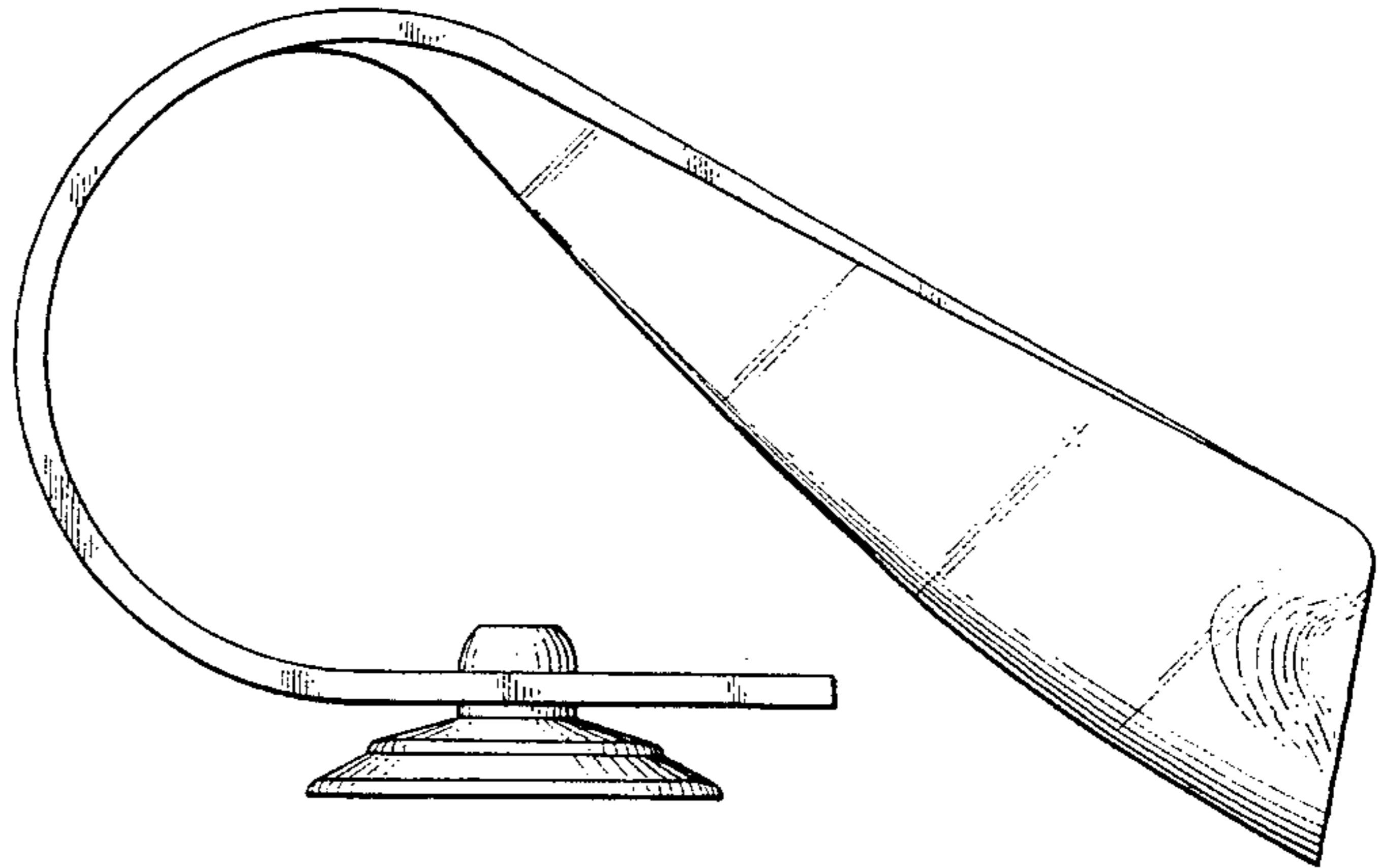
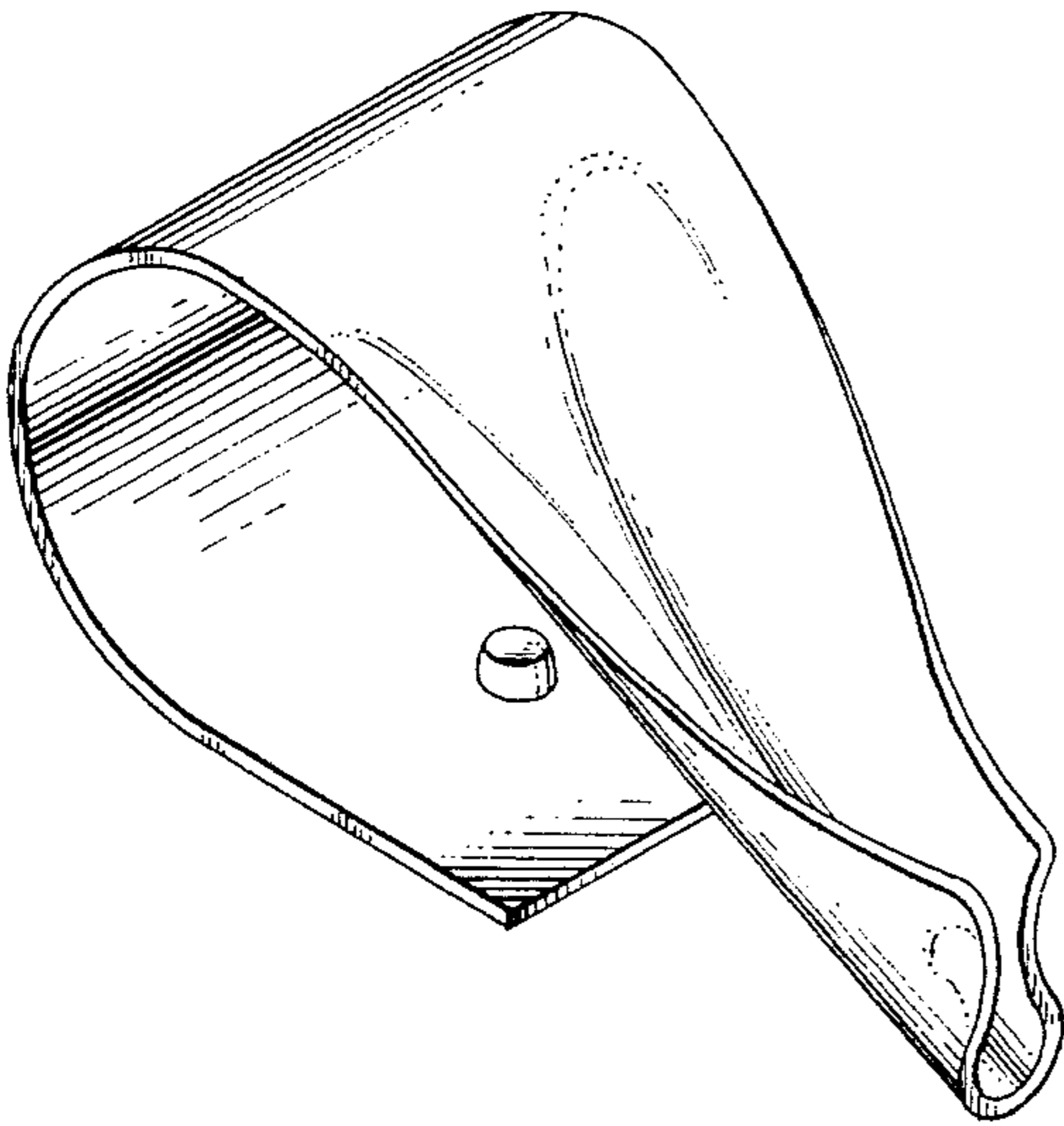
FIG. 6 is a rear elevational view thereof.

[56] References Cited

U.S. PATENT DOCUMENTS

D. 193,970	11/1962	Forsman	D6/536
D. 239,749	5/1976	Rose	D6/536
D. 252,841	9/1979	Koh	D6/536
D. 276,292	11/1984	Rivera et al.	D6/536

1 Claim, 4 Drawing Sheets



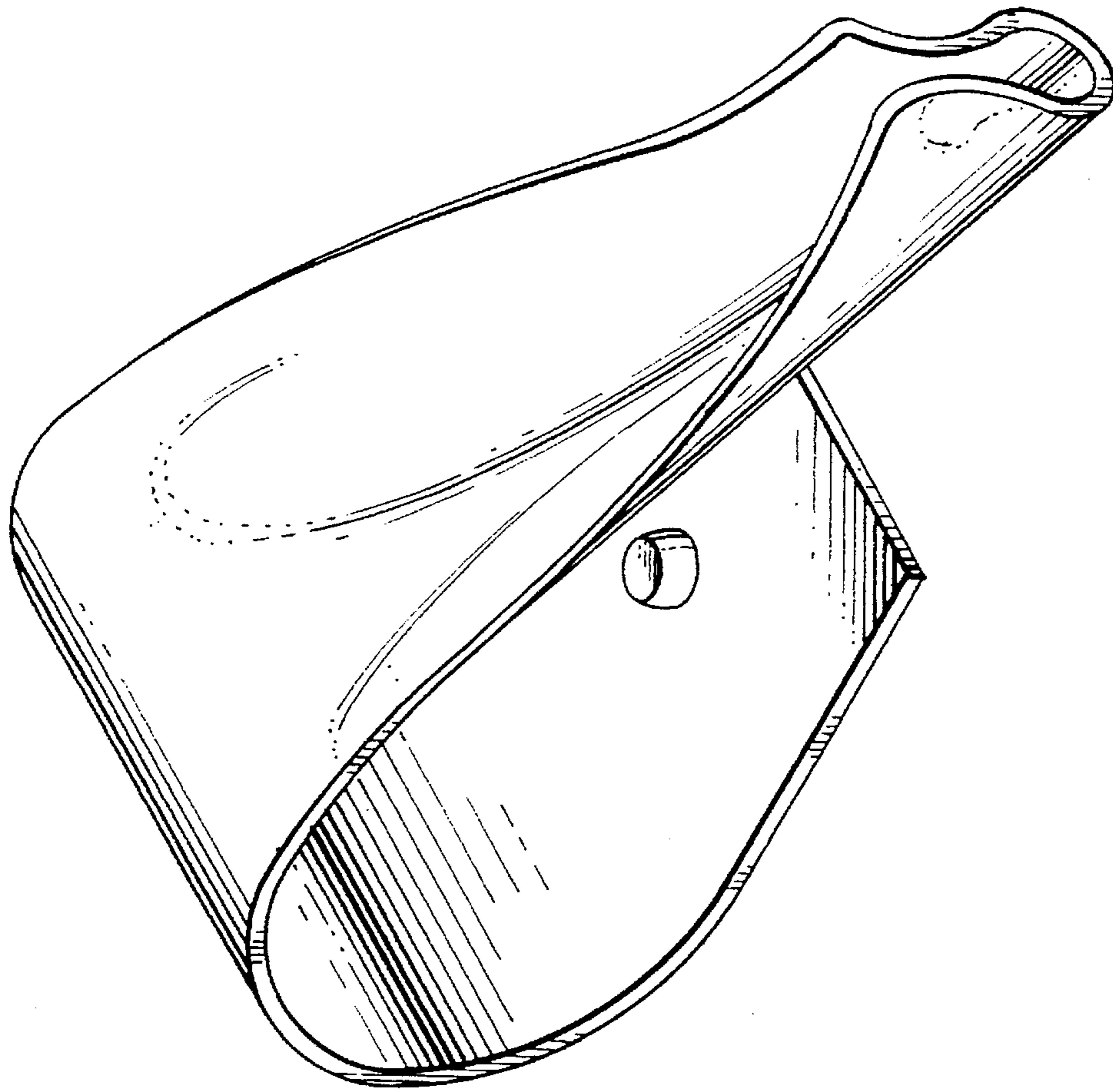


FIG. 1

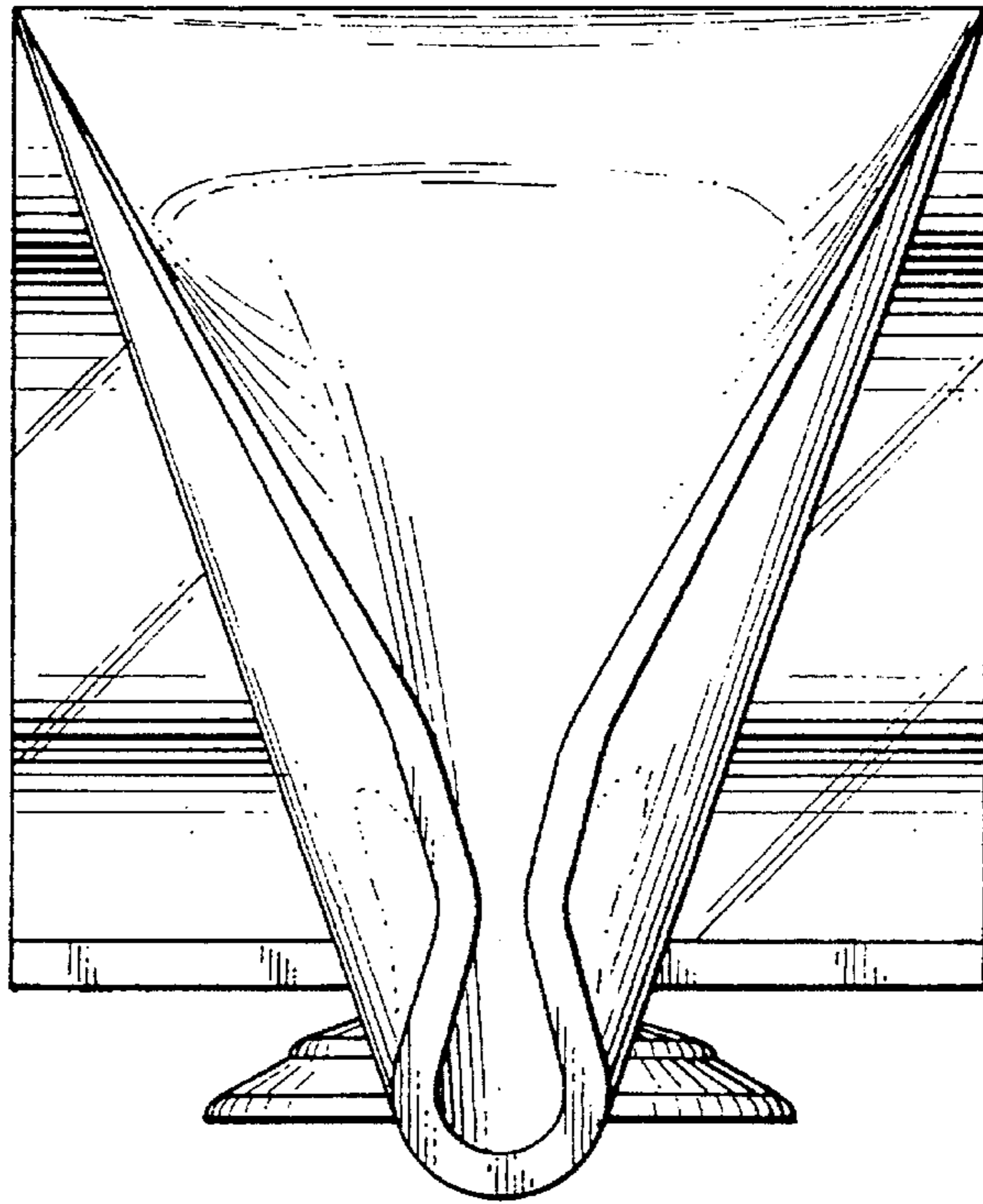


FIG. 2

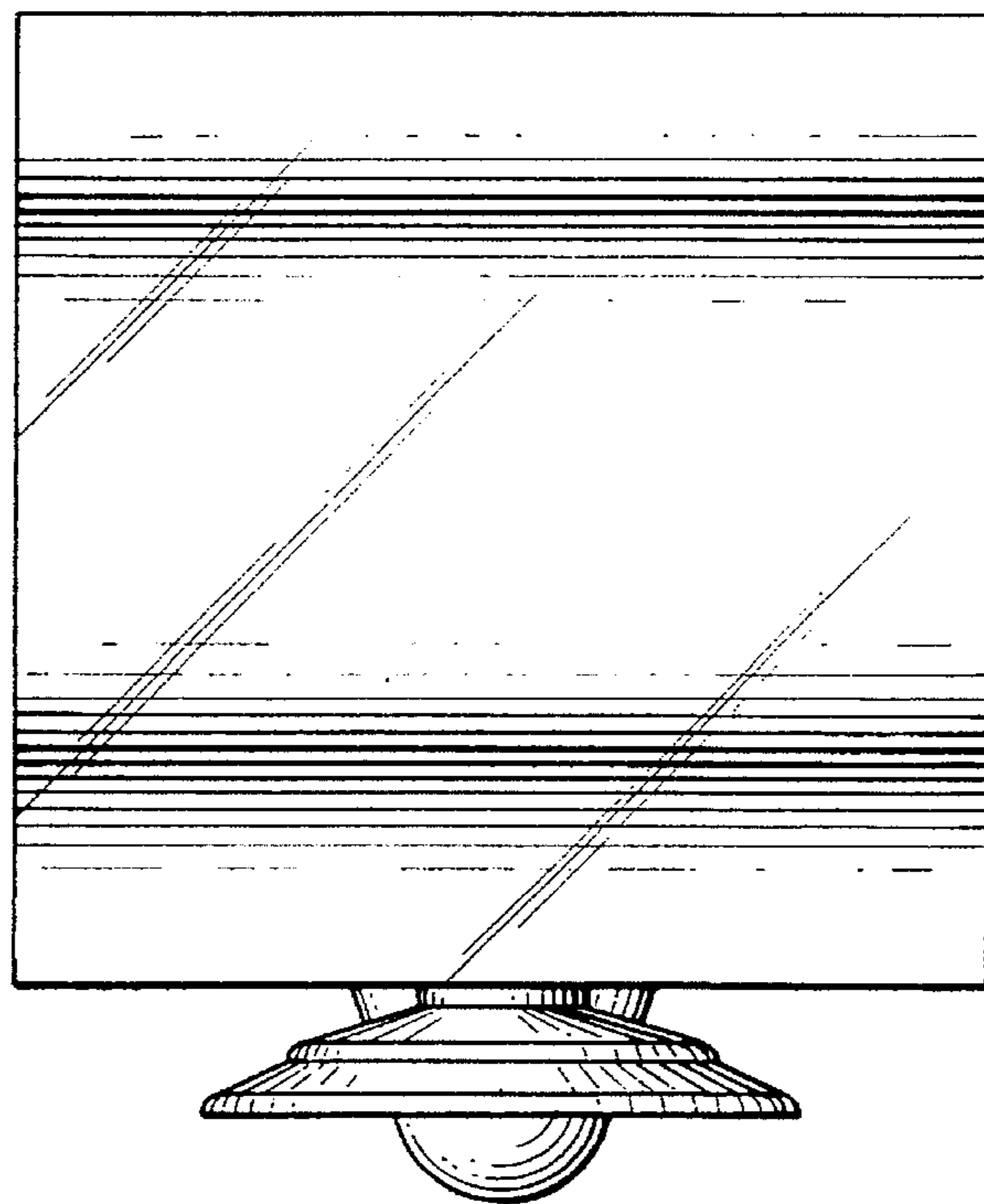


FIG. 6

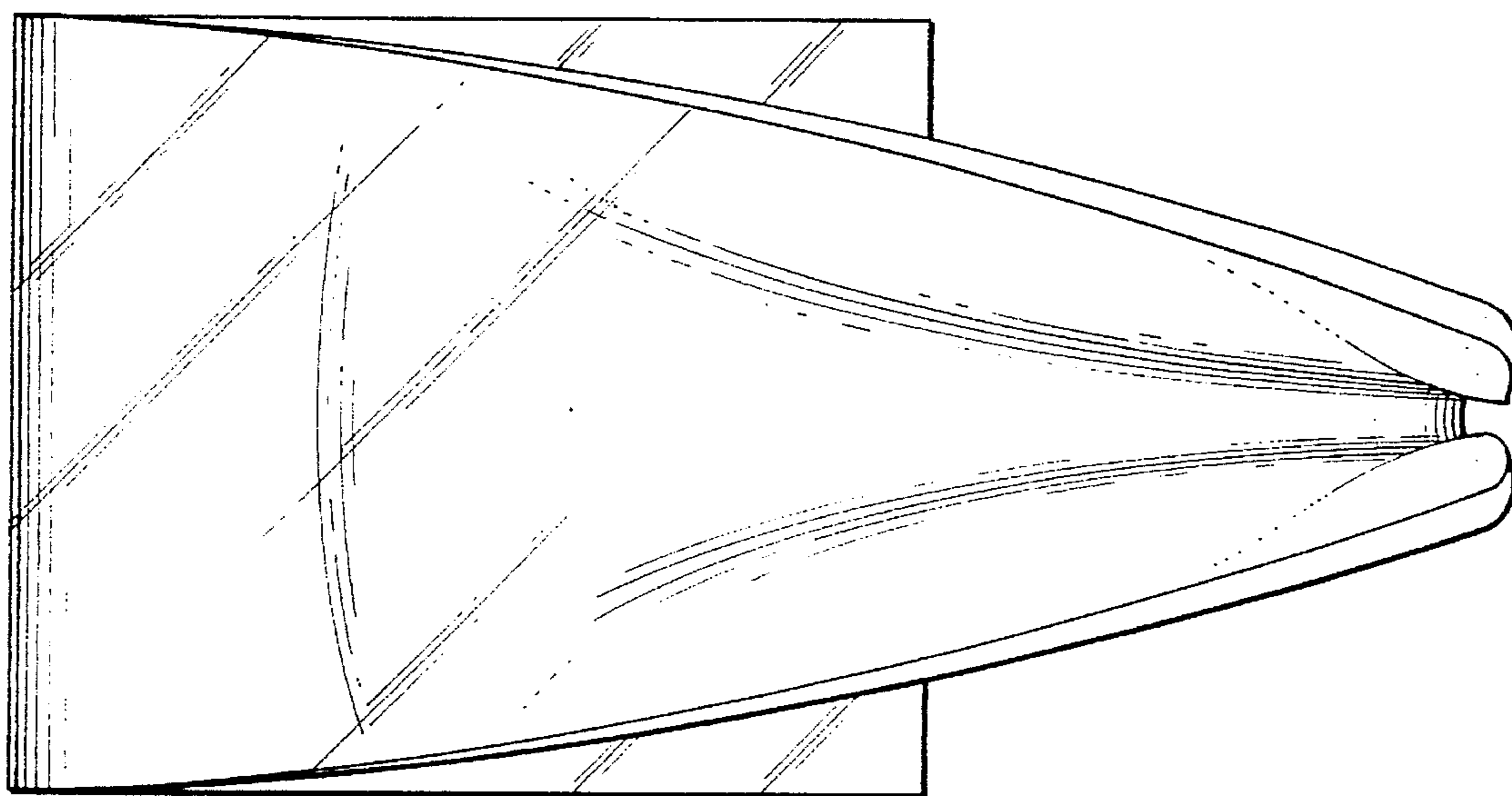


FIG. 3

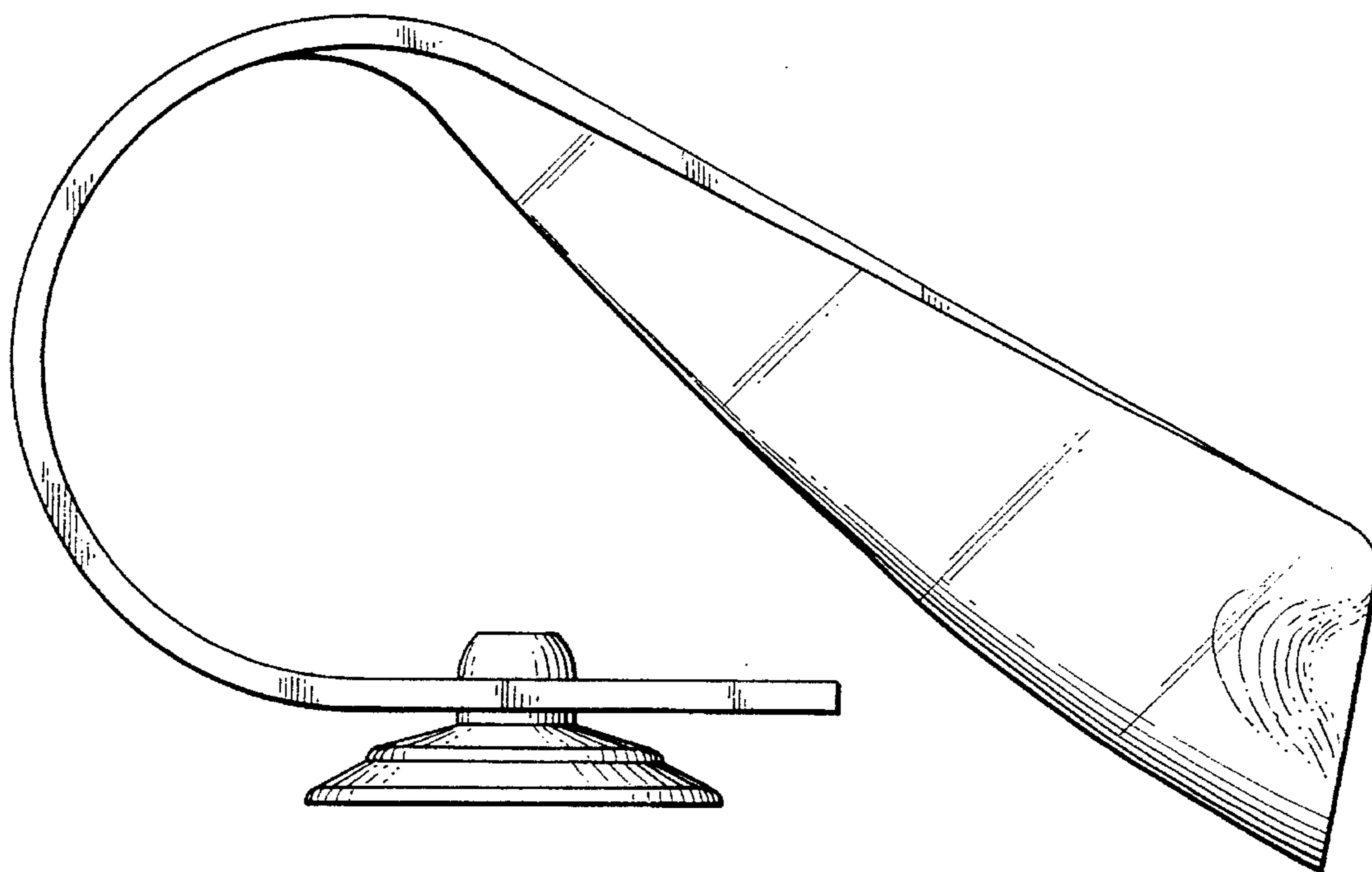


FIG. 4

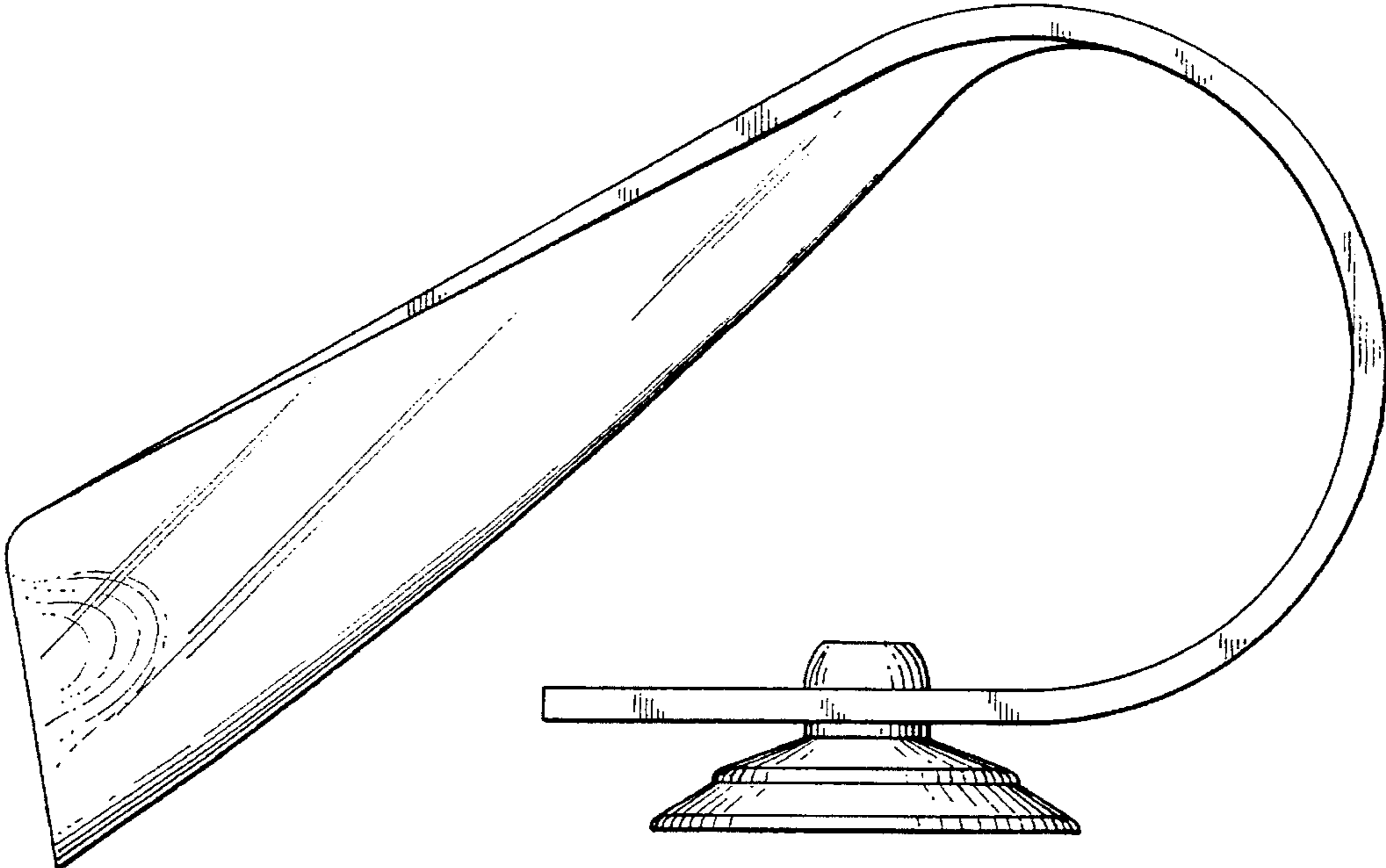


FIG. 5