



US00D376280S

# United States Patent [19]

[11] Patent Number: **Des. 376,280**

**Kuntz**

[45] Date of Patent: **\*\*Dec. 10, 1996**

[54] **DISPLAY TABLE**

[76] Inventor: **Michael Kuntz**, 200 Spot Rd., Powells Point, N.C. 27966

[\*\*] Term: **14 Years**

[21] Appl. No.: **50,235**

[22] Filed: **Feb. 12, 1996**

[52] U.S. Cl. .... **D6/471; D20/10**

[58] Field of Search ..... D6/455, 449, 486, D6/495, 403, 471, 475, 308, 300, 422, 421; 40/606, 541, 564, 563, 553, 543, 544, 572; D20/10, 18, 17, 39, 41, 42, 12, 19, 29, 28, 16

D. 243,295	2/1977	Hartinger .....	6/3
D. 254,998	5/1980	Espeseth .....	6/99
D. 267,139	12/1982	Hanaford .....	6/3
D. 276,287	11/1984	Sturcz et al. ....	6/403
D. 281,939	12/1985	Hug .....	D6/449
D. 285,760	9/1986	Milling .....	6/486
D. 288,527	3/1987	Maguire .....	9/341
D. 317,405	6/1991	Yasika .....	9/347
D. 324,140	2/1992	Kuntz .....	6/455
D. 324,865	3/1992	Cooper .....	D6/449 X
D. 342,843	1/1994	Kuntz .....	6/455
3,230,909	1/1966	Watson .....	108/150
4,208,072	6/1980	Iskendarian .....	297/440

Primary Examiner—Susan J. Lucas  
Assistant Examiner—Jennifer A. Register

[56] **References Cited**

**U.S. PATENT DOCUMENTS**

D. 10,341	12/1877	Luchs .....	D6/442
D. 75,858	7/1928	Mathee .....	D6/471
D. 130,954	12/1941	Pirnstill .....	D6/403
D. 132,016	4/1942	Trojan .....	D6/471
D. 138,055	6/1944	Cristontell .....	29/28
D. 190,941	7/1961	Iannucci .....	D6/475
D. 198,324	6/1964	Gale .....	33/14
D. 218,653	9/1970	Kodinsky .....	D6/471 X
D. 219,928	2/1971	Tincher .....	33/14
D. 229,589	12/1973	Gregorutti et al. ....	6/3
D. 231,814	6/1974	Weaver .....	D6/455 X
D. 234,932	4/1975	Burke et al. ....	6/3

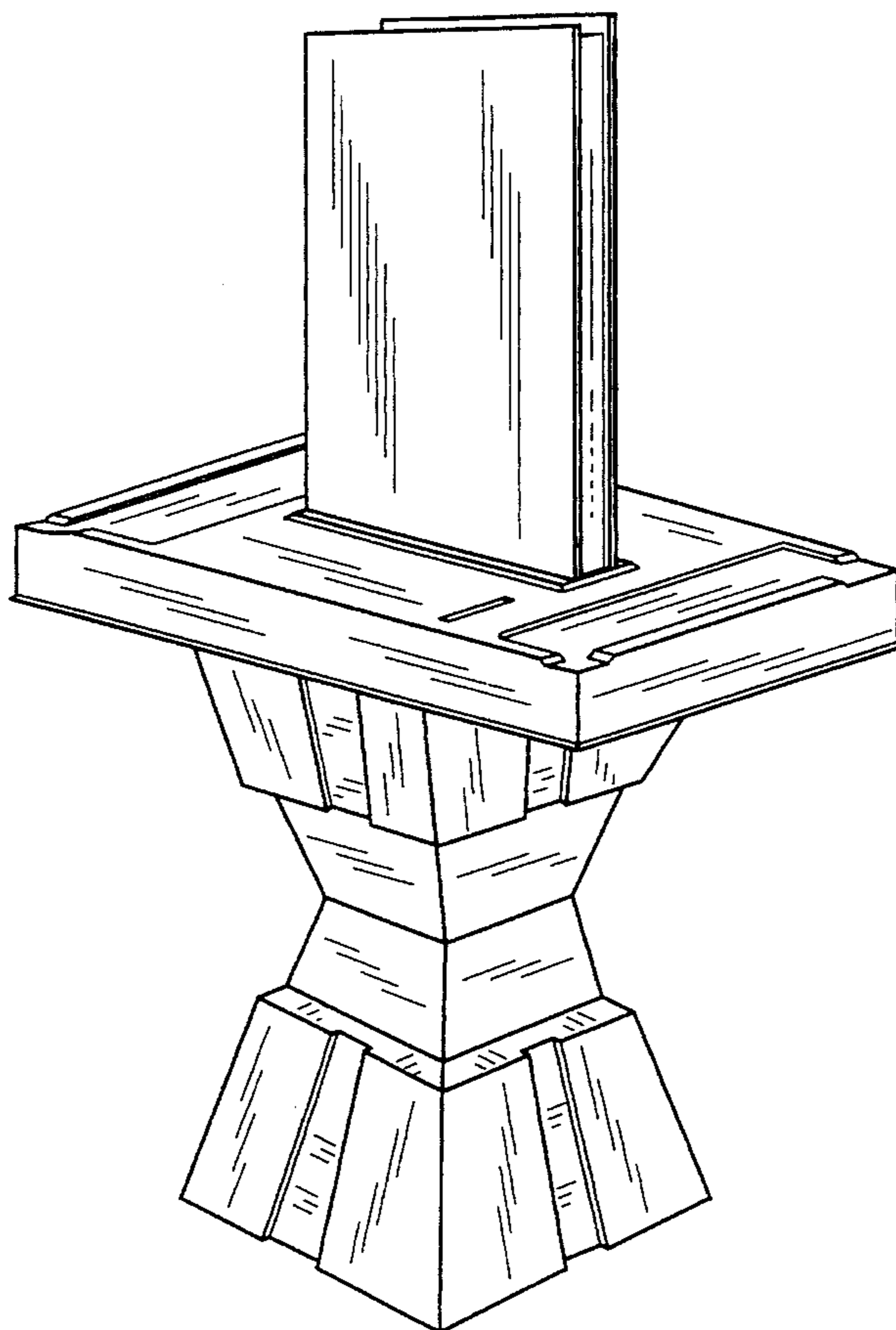
[57] **CLAIM**

The ornamental design for a display table, as shown and described.

**DESCRIPTION**

FIG. 1 is a front elevational view of a display table embodying my design, the rear being a mirror image thereof; FIG. 2 is a right side elevational view of the table as seen in FIG. 1, the left side being a mirror image thereof; FIG. 3 is a top plan view of the table as seen in FIG. 1, the bottom being plain and unornamental; and, FIG. 4 is a top, front, right side perspective view thereof.

**1 Claim, 2 Drawing Sheets**



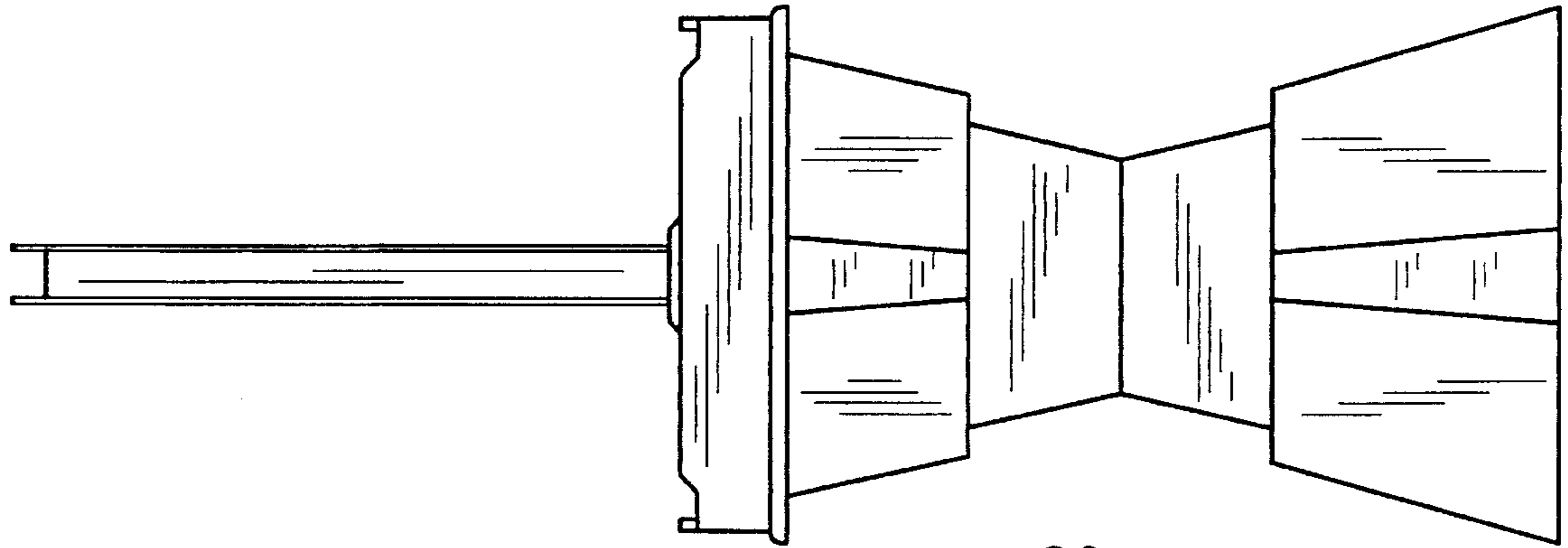


FIG. 2

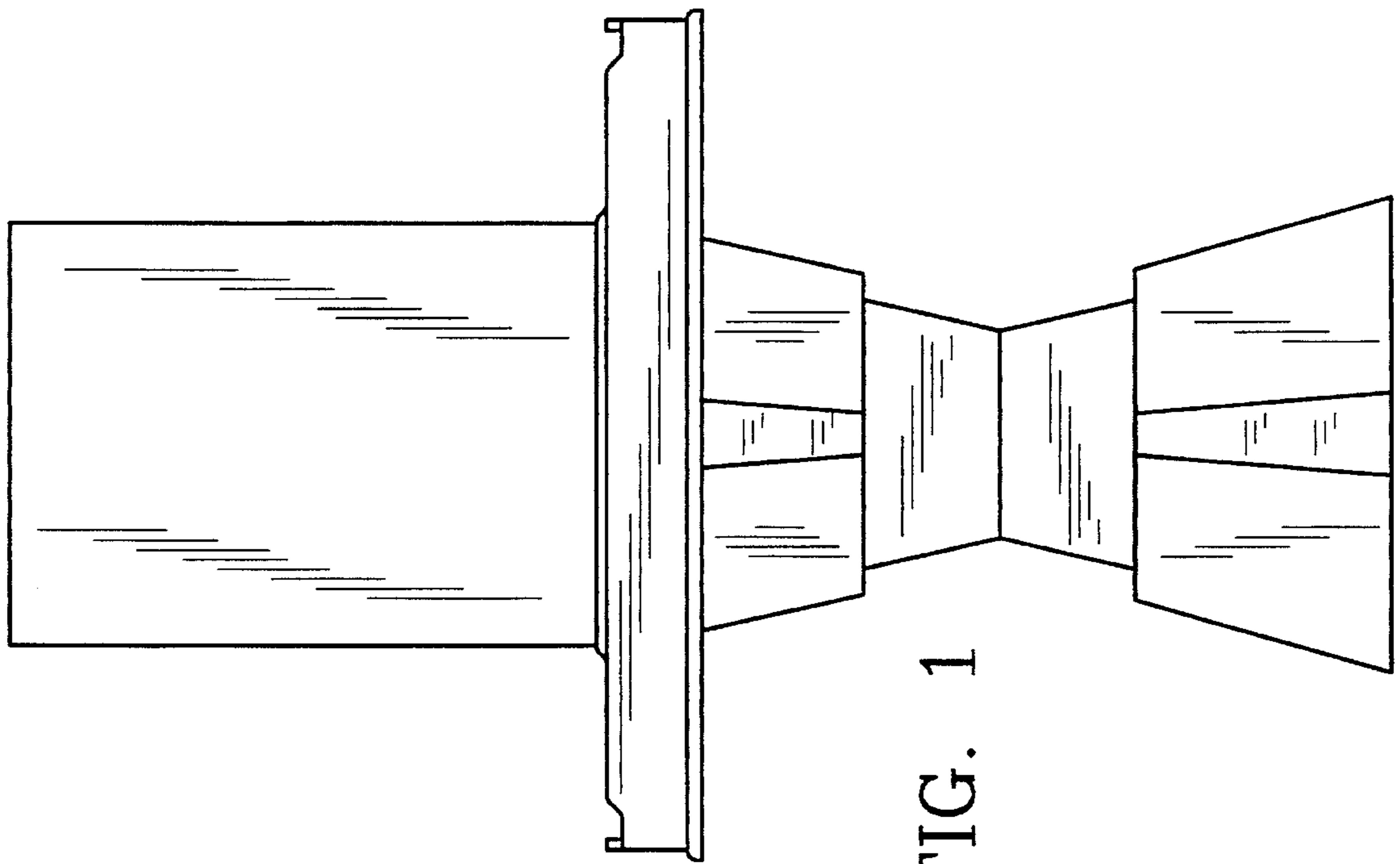


FIG. 1

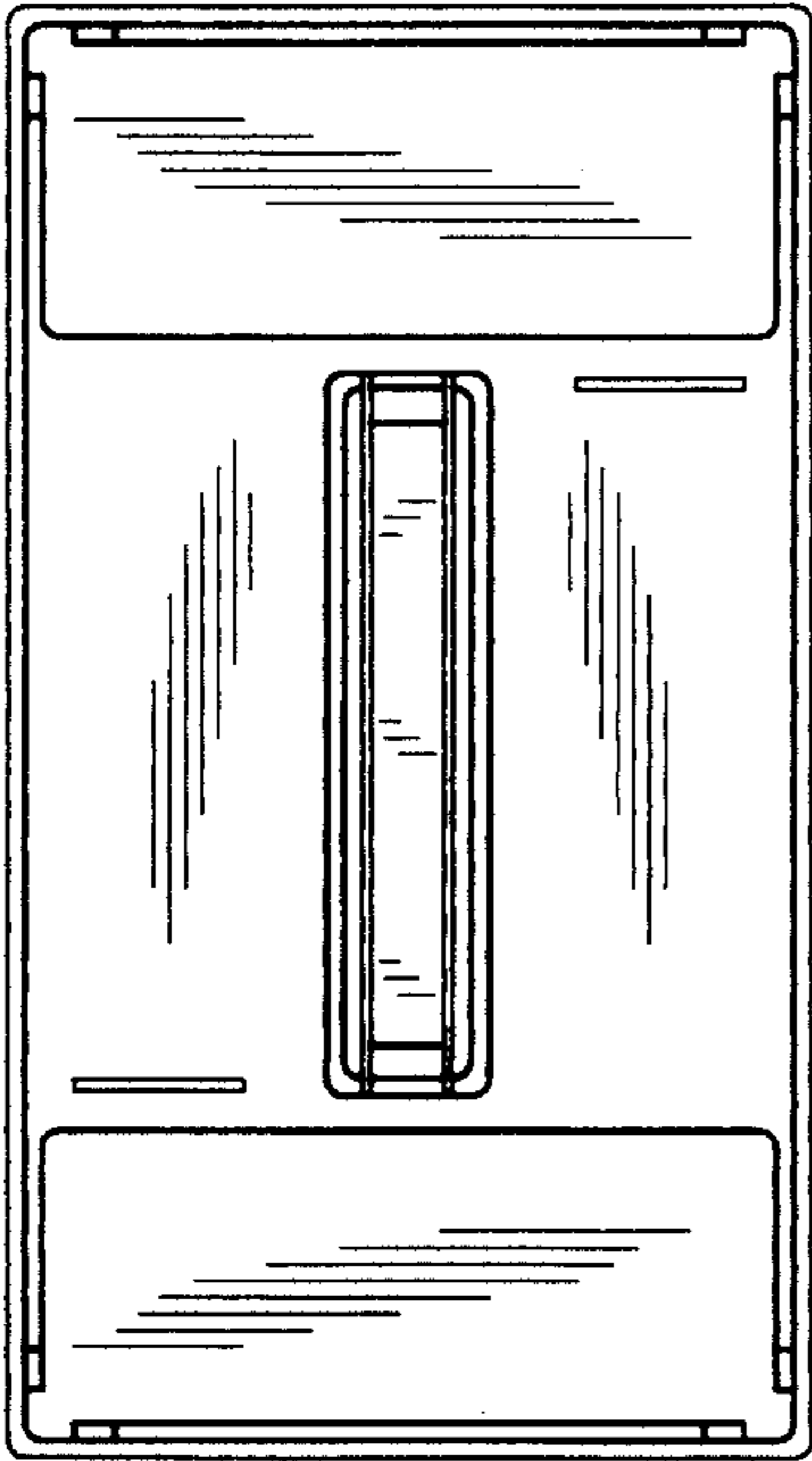


FIG. 3

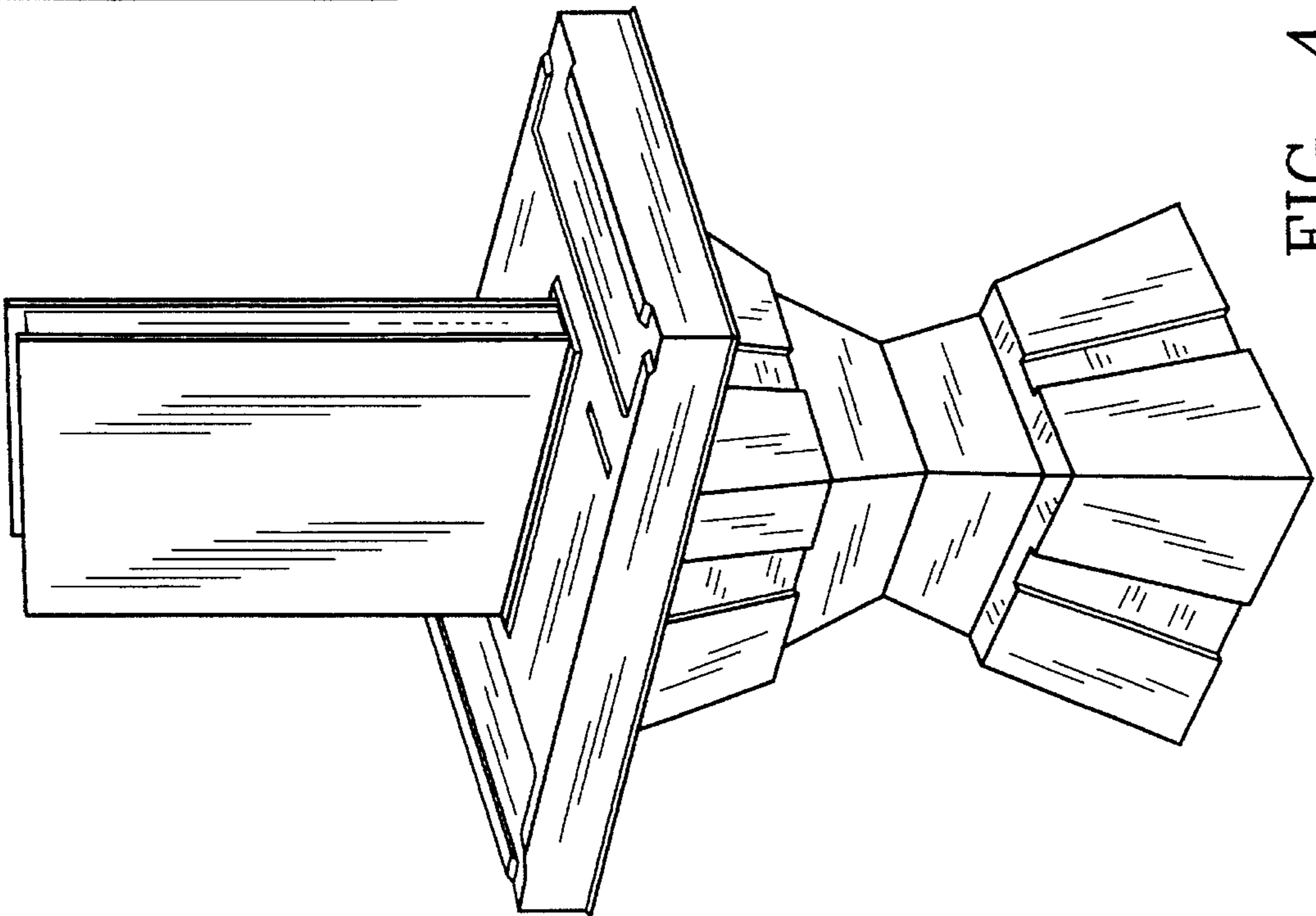


FIG. 4