



US00D376272S

United States Patent [19]

Piretti

[11] Patent Number: **Des. 376,272**

[45] Date of Patent: ****Dec. 10, 1996**

[54] **CHAIR**

[75] Inventor: **Giancarlo Piretti**, Bologna, Italy

[73] Assignee: **Pro-Cord S.r.l.**, Italy

[**] Term: **14 Years**

[21] Appl. No.: **40,298**

[22] Filed: **Jun. 14, 1995**

Related U.S. Application Data

[63] Continuation of Ser. No. 12,709, Sep. 8, 1993, abandoned.

[52] U.S. Cl. **D6/374; D6/380**

[58] Field of Search **D6/334, 370, 374; D6/375, 379, 380, 500, 501, 502; 297/239, 445**

[56] References Cited

U.S. PATENT DOCUMENTS

D. 181,241	10/1957	Swanson	D6/374
D. 183,437	8/1958	Williams	D6/380
D. 183,606	9/1958	Glass	D6/380
D. 183,607	9/1958	Glass	D6/380
D. 187,216	2/1960	Spilman	D6/374

D. 188,241	6/1960	Christenson, Jr. et al.	D6/374
D. 308,604	6/1990	Verkerke	D6/334
5,154,474	10/1992	Desanta	297/239

Primary Examiner—Gary D. Watson

Attorney, Agent, or Firm—Andrus, Scales, Starke & Sawall

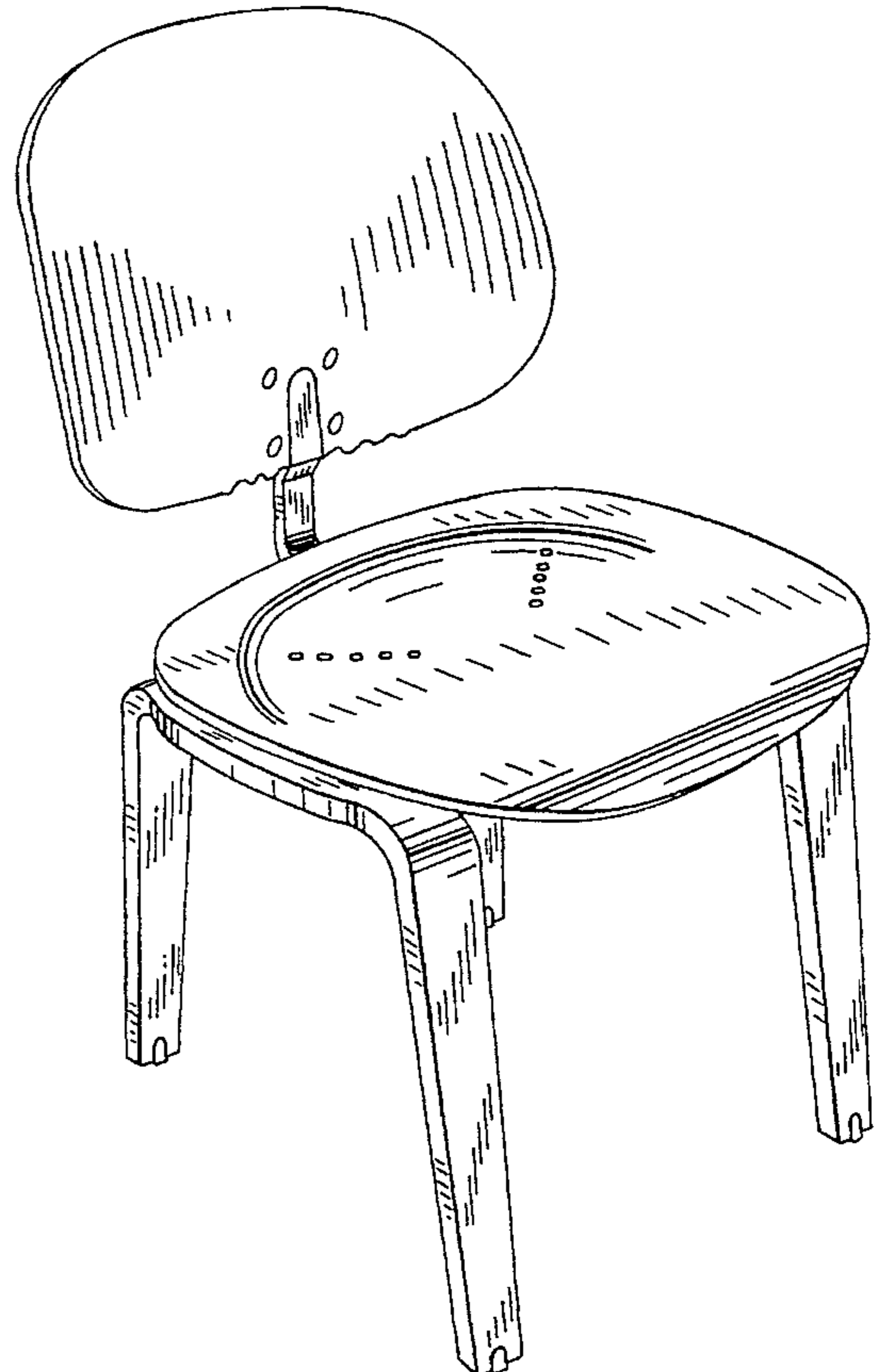
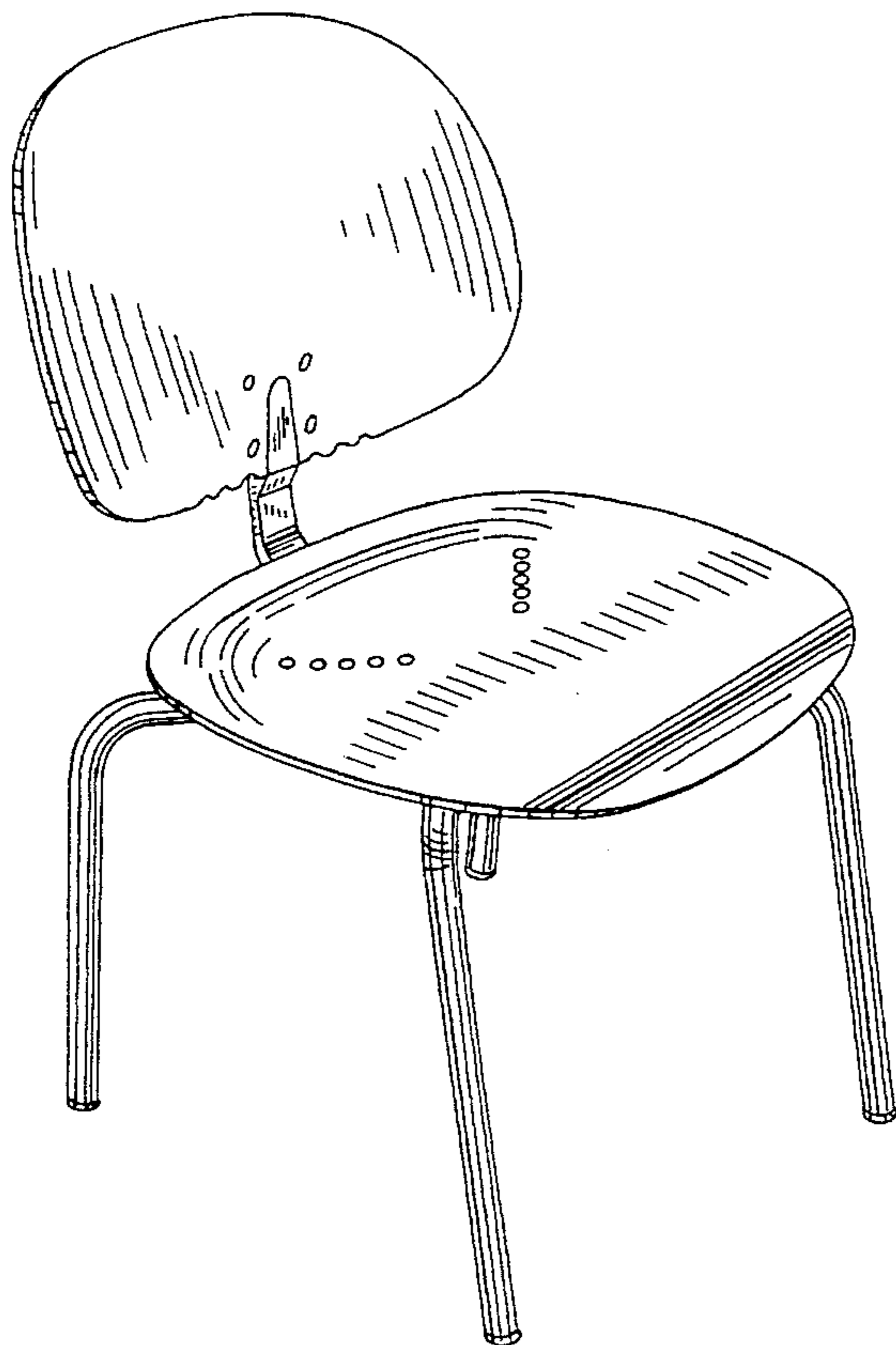
[57] CLAIM

The ornamental design for a chair, as shown and described.

DESCRIPTION

FIG. 1 is an isometric view of one embodiment of a chair incorporating my new design;
 FIG. 2 is a side elevation view thereof, the opposite side being a mirror image thereof;
 FIG. 3 is a top view thereof;
 FIG. 4 is a front elevation view thereof;
 FIG. 5 is a rear elevation view thereof;
 FIG. 6 is an isometric view of another embodiment of a chair incorporating my new design;
 FIG. 7 is a side elevation view thereof, the opposite side being a mirror image thereof;
 FIG. 8 is a top view thereof;
 FIG. 9 is a front elevation view thereof; and,
 FIG. 10 is a rear elevation view thereof.

1 Claim, 4 Drawing Sheets



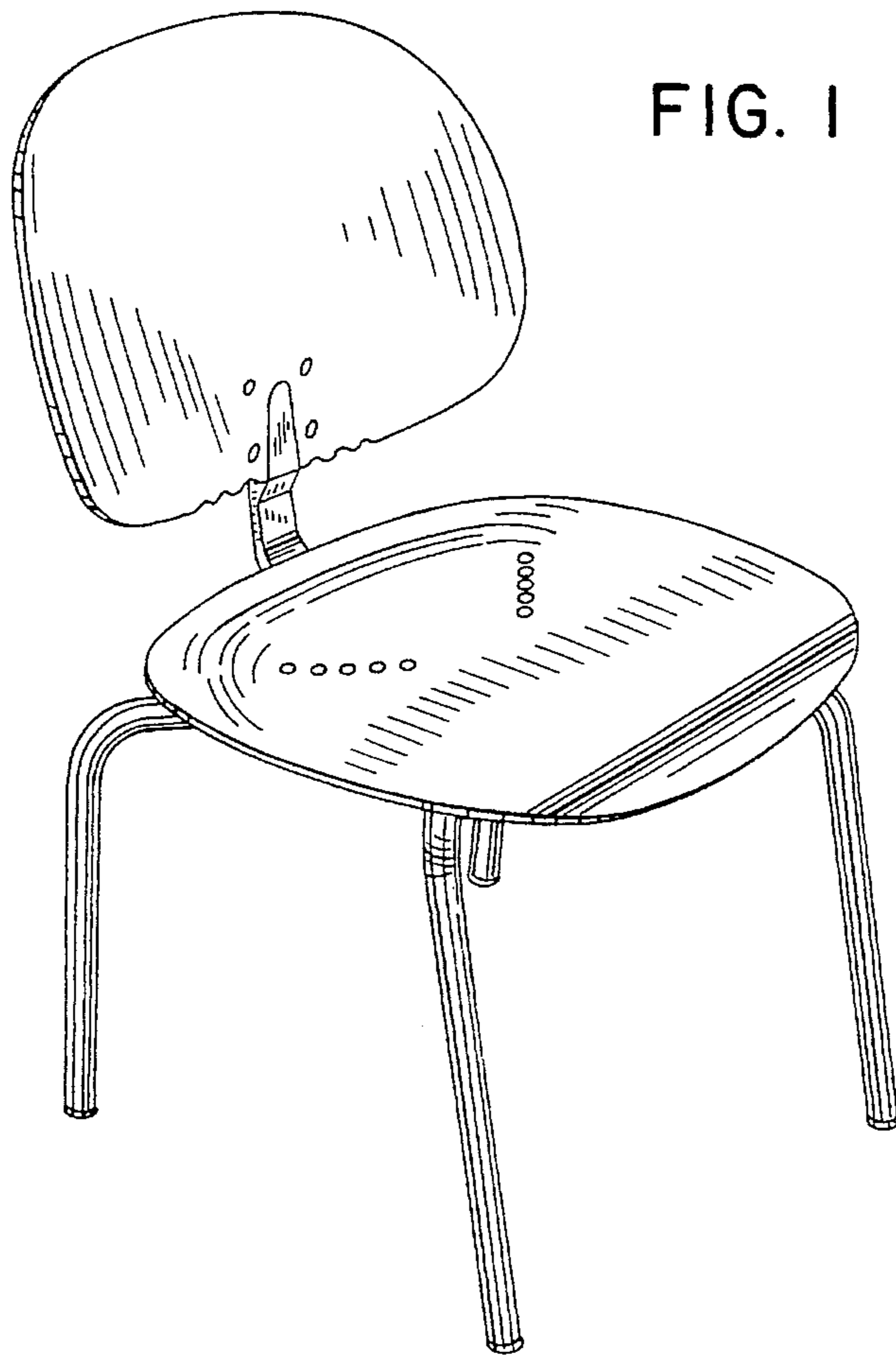


FIG. 1

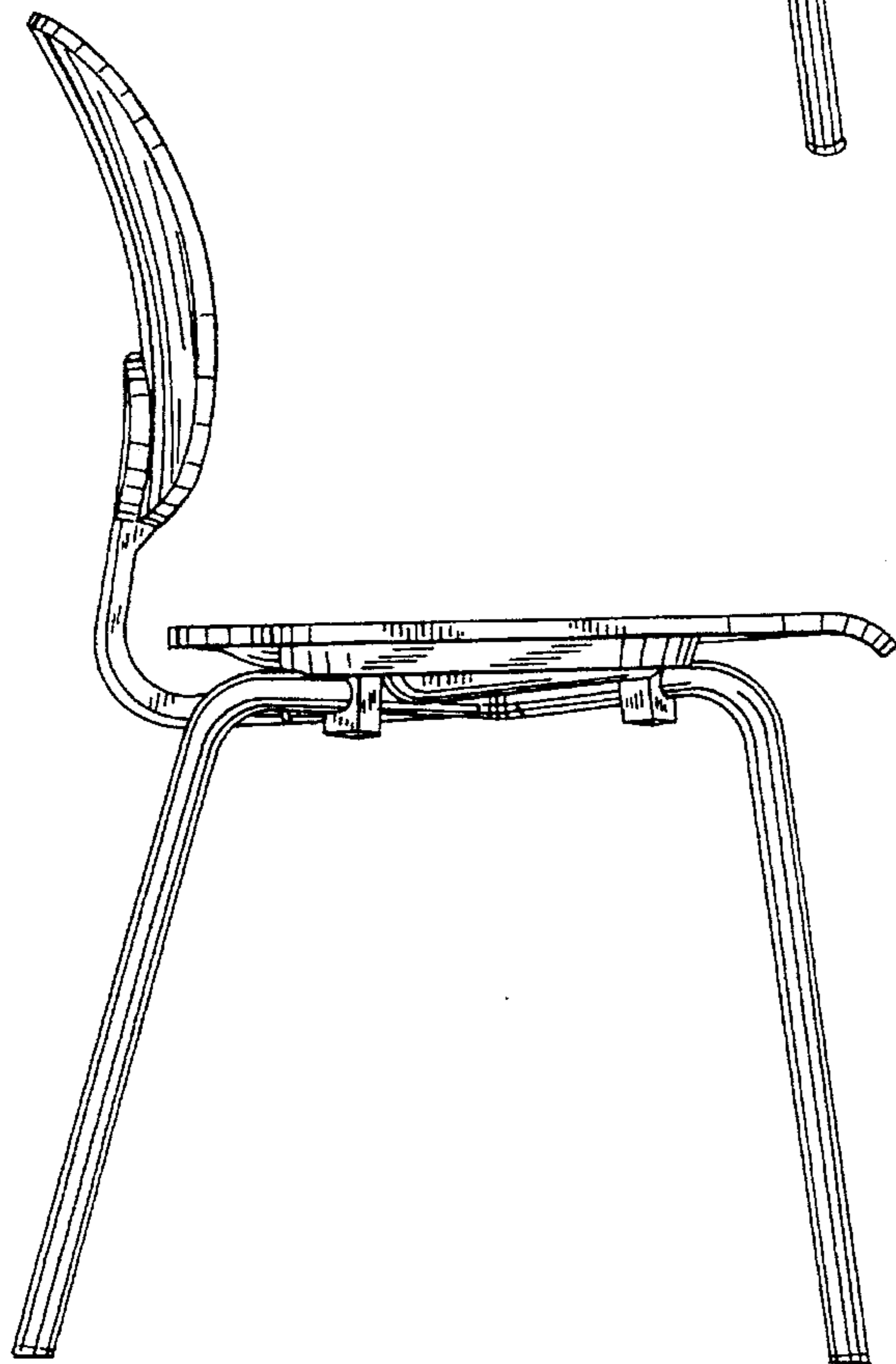


FIG. 2

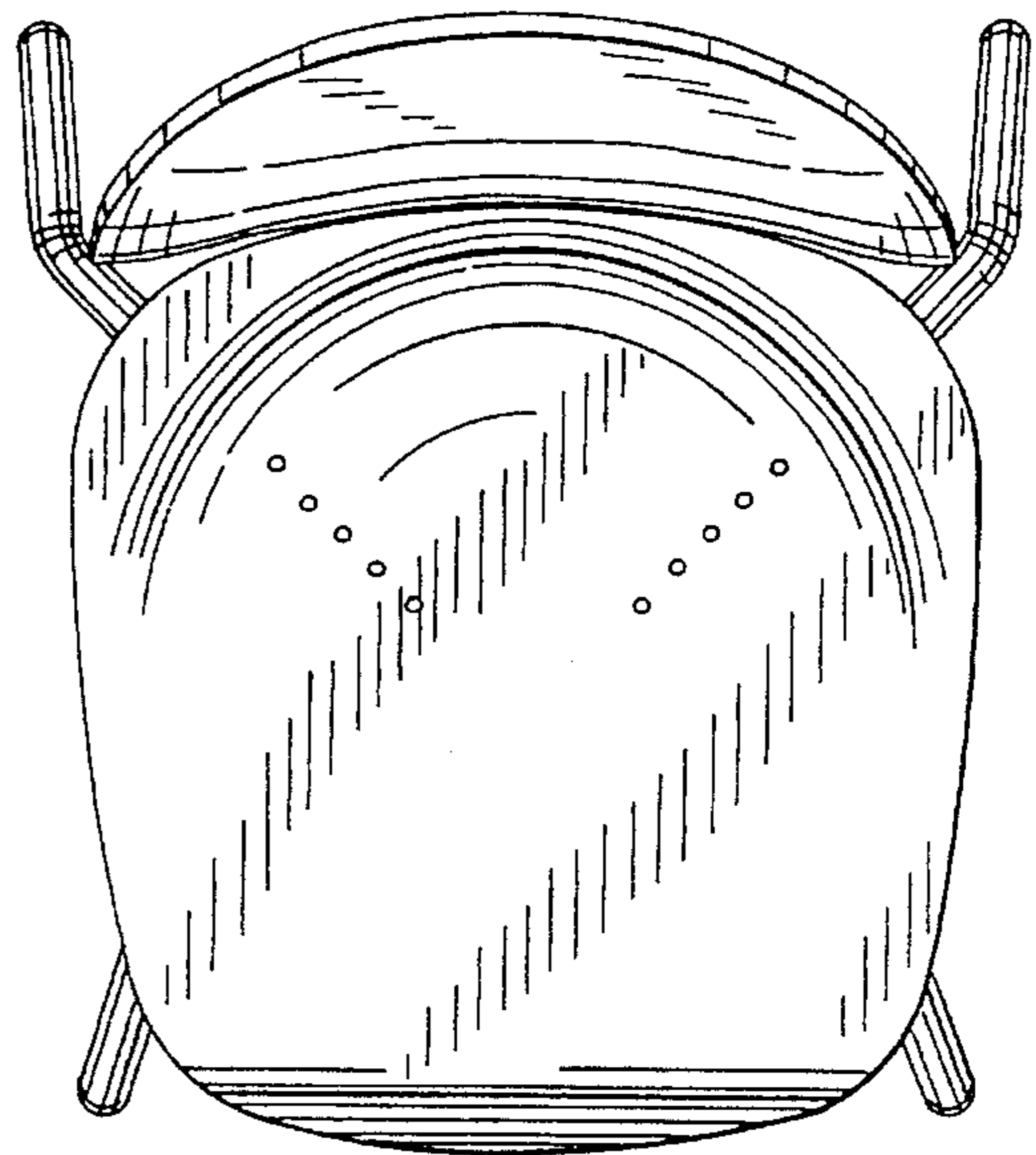


FIG. 3

FIG. 4

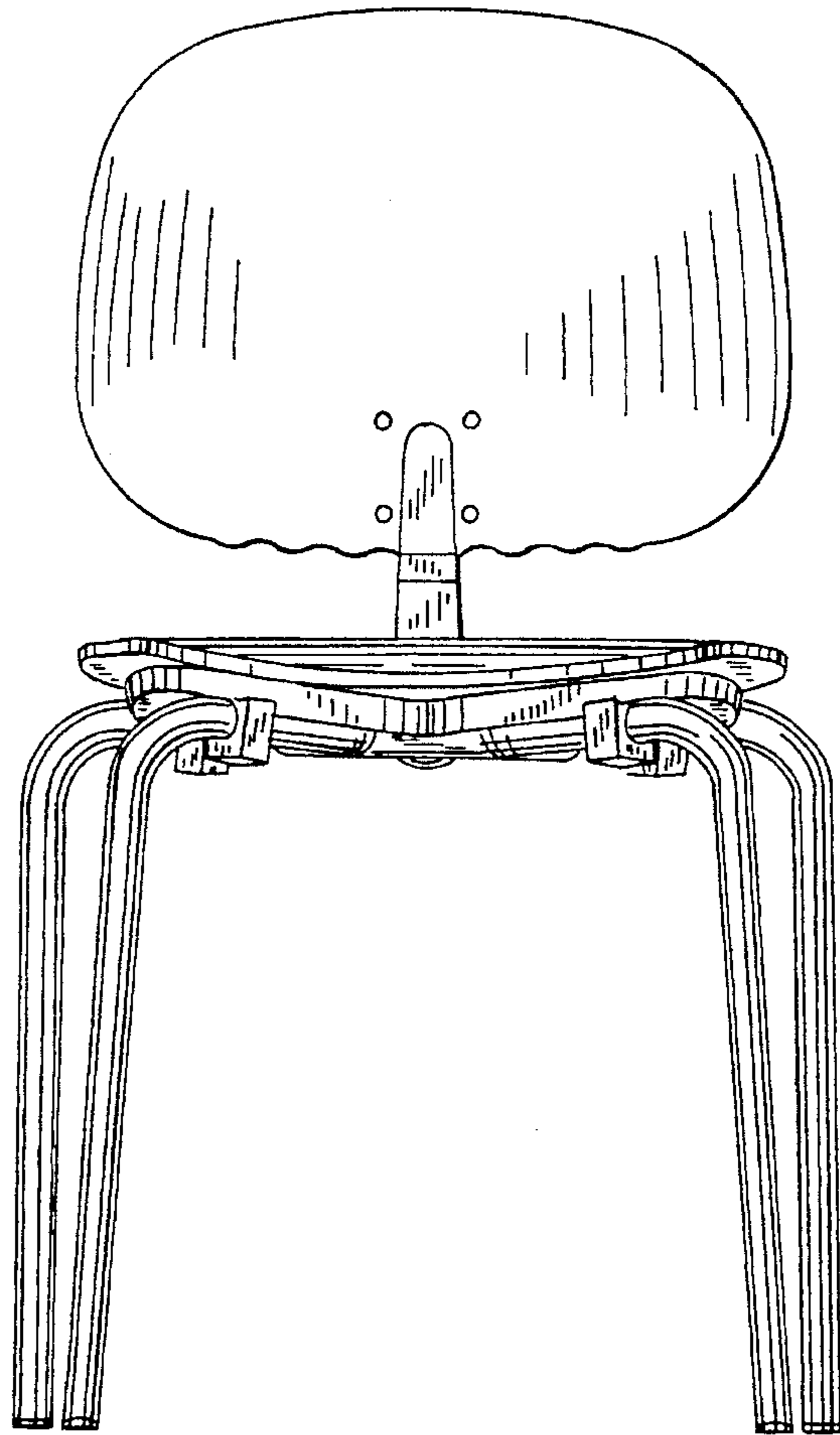
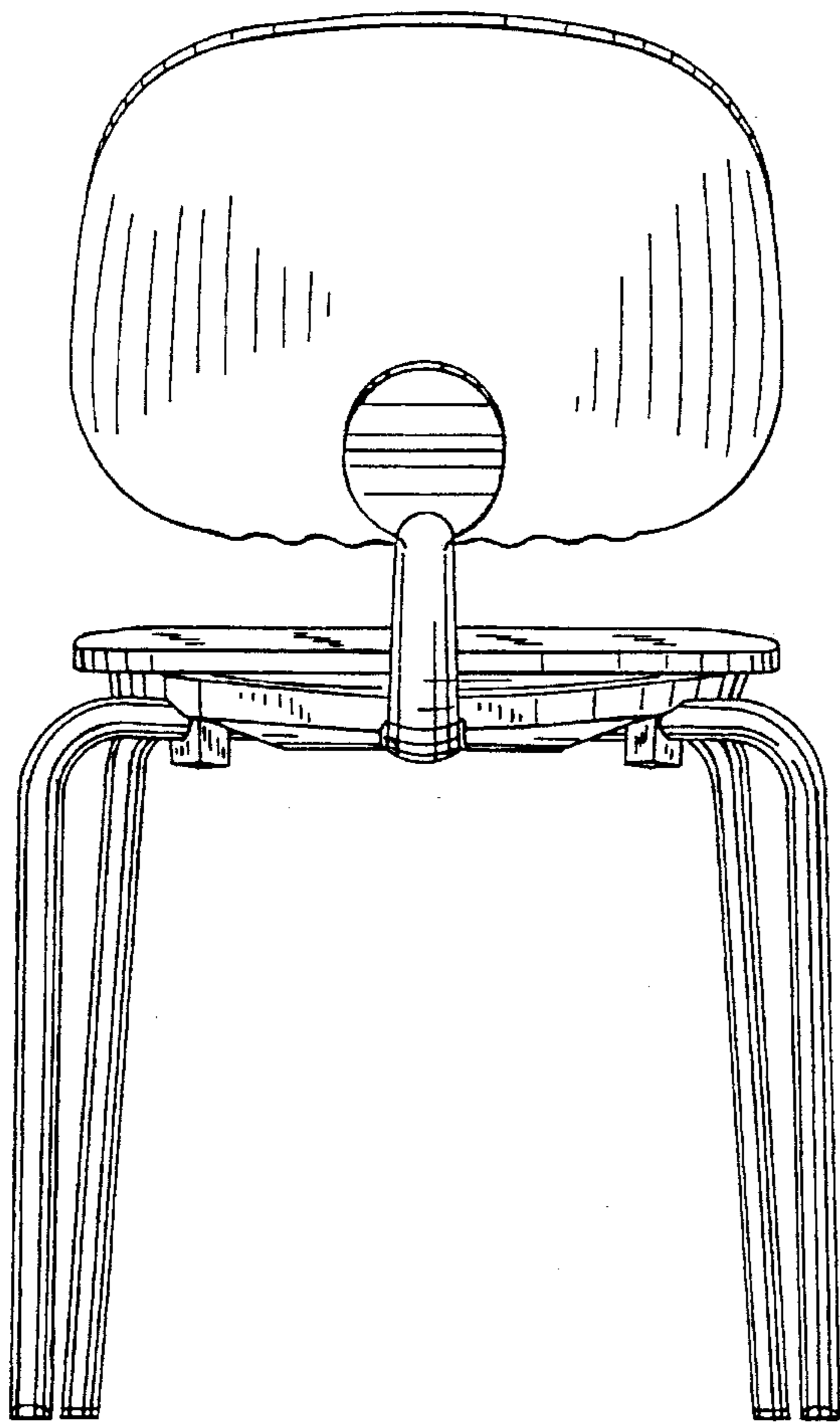


FIG. 5



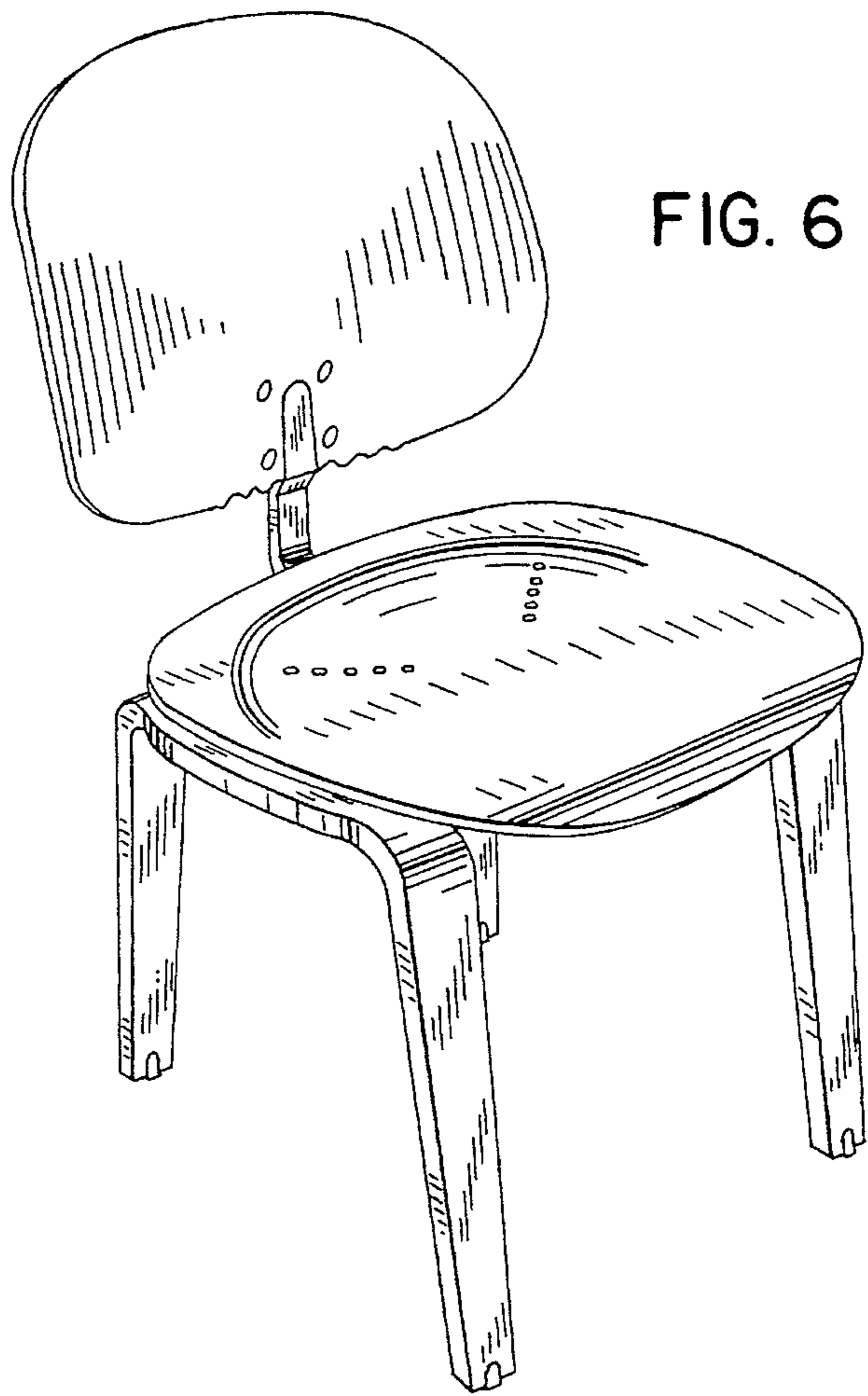


FIG. 6

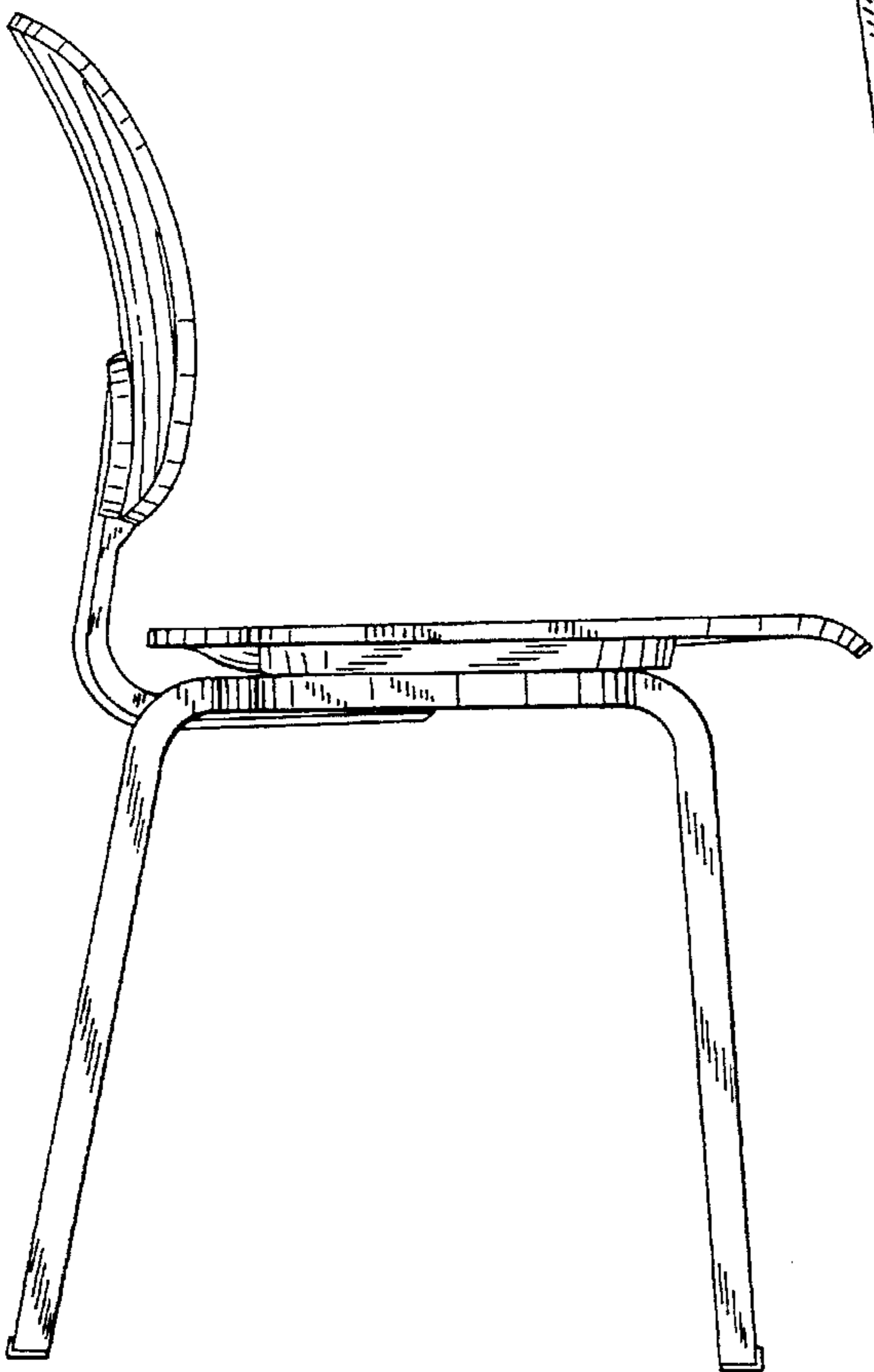


FIG. 7

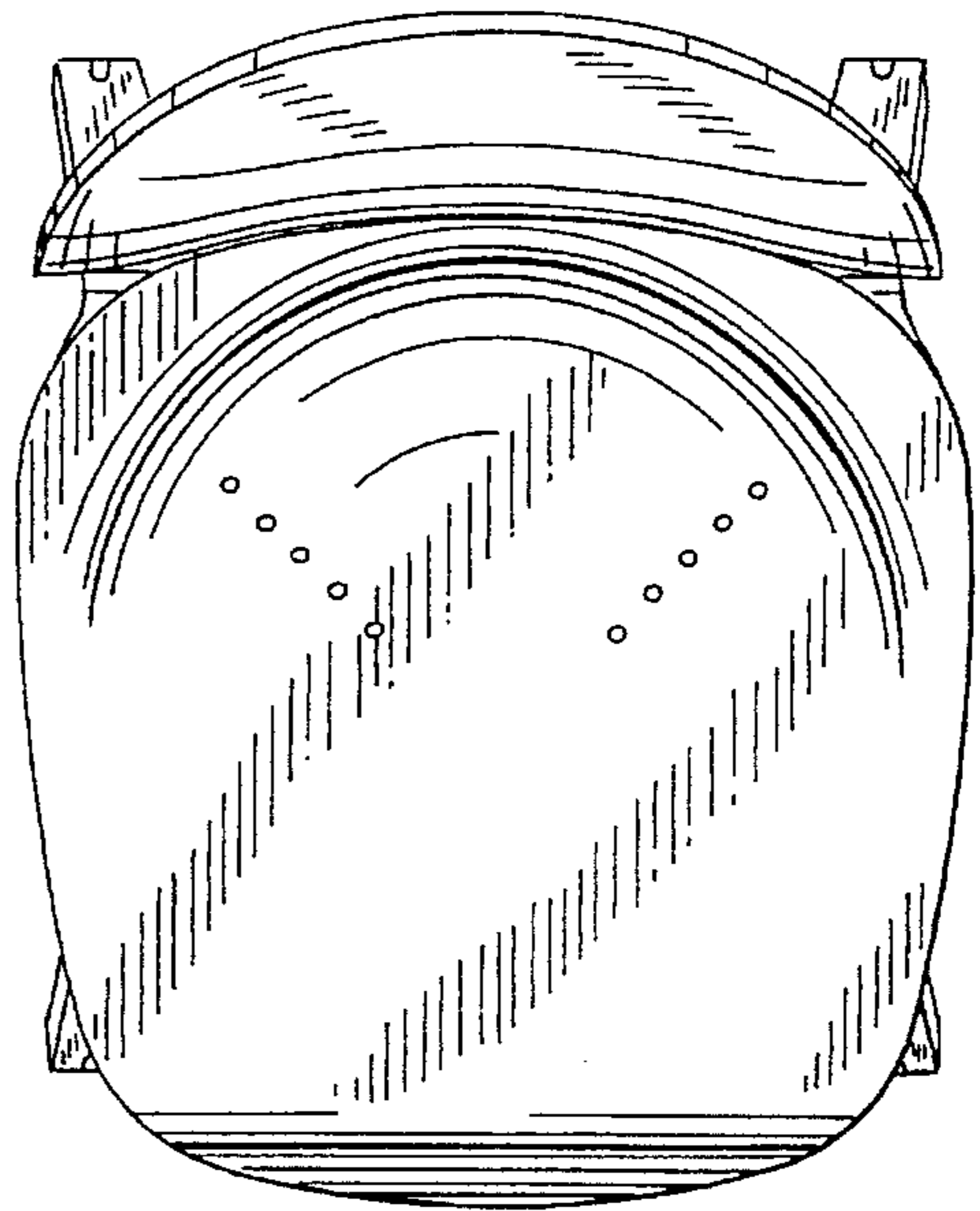


FIG. 8

FIG. 9

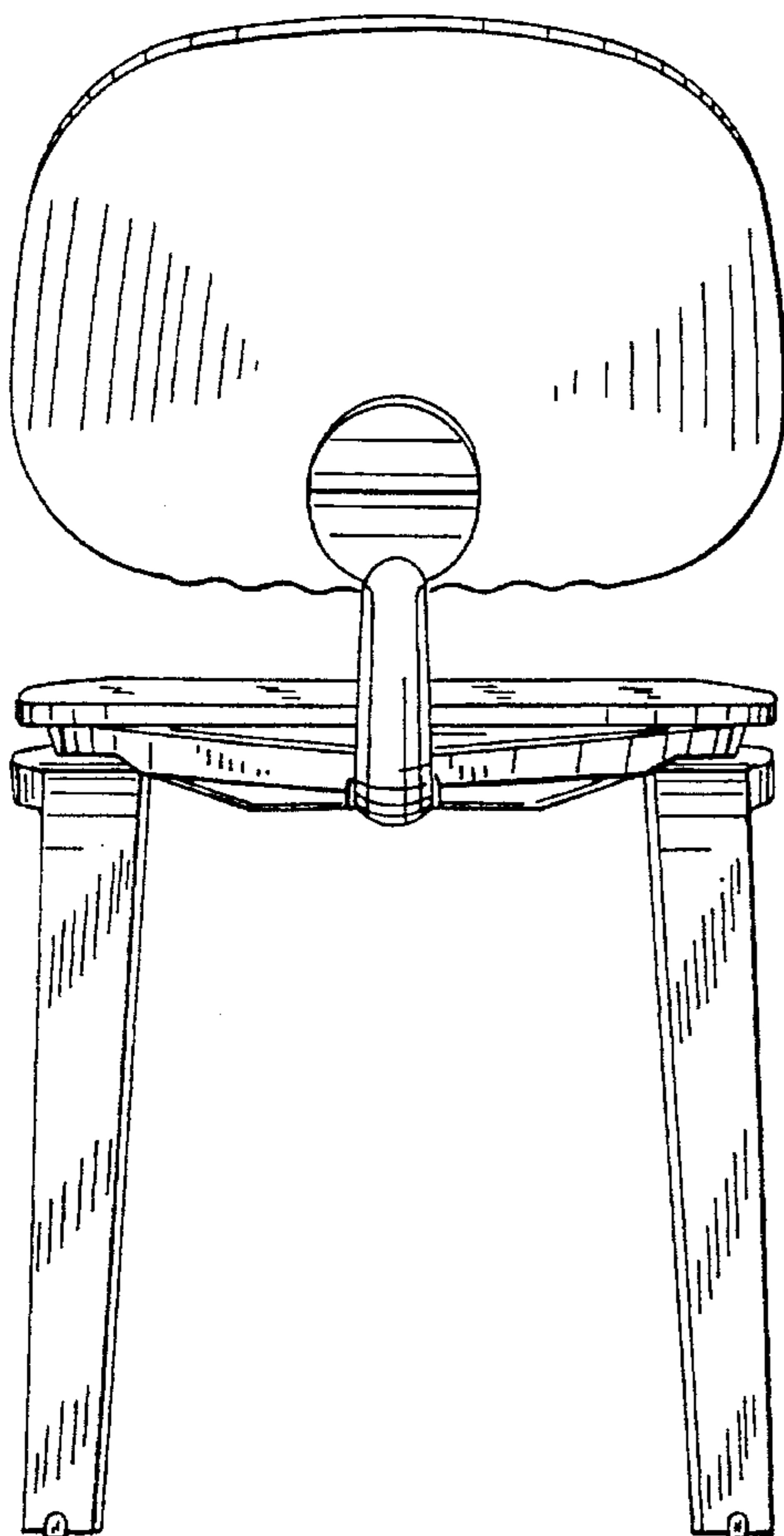
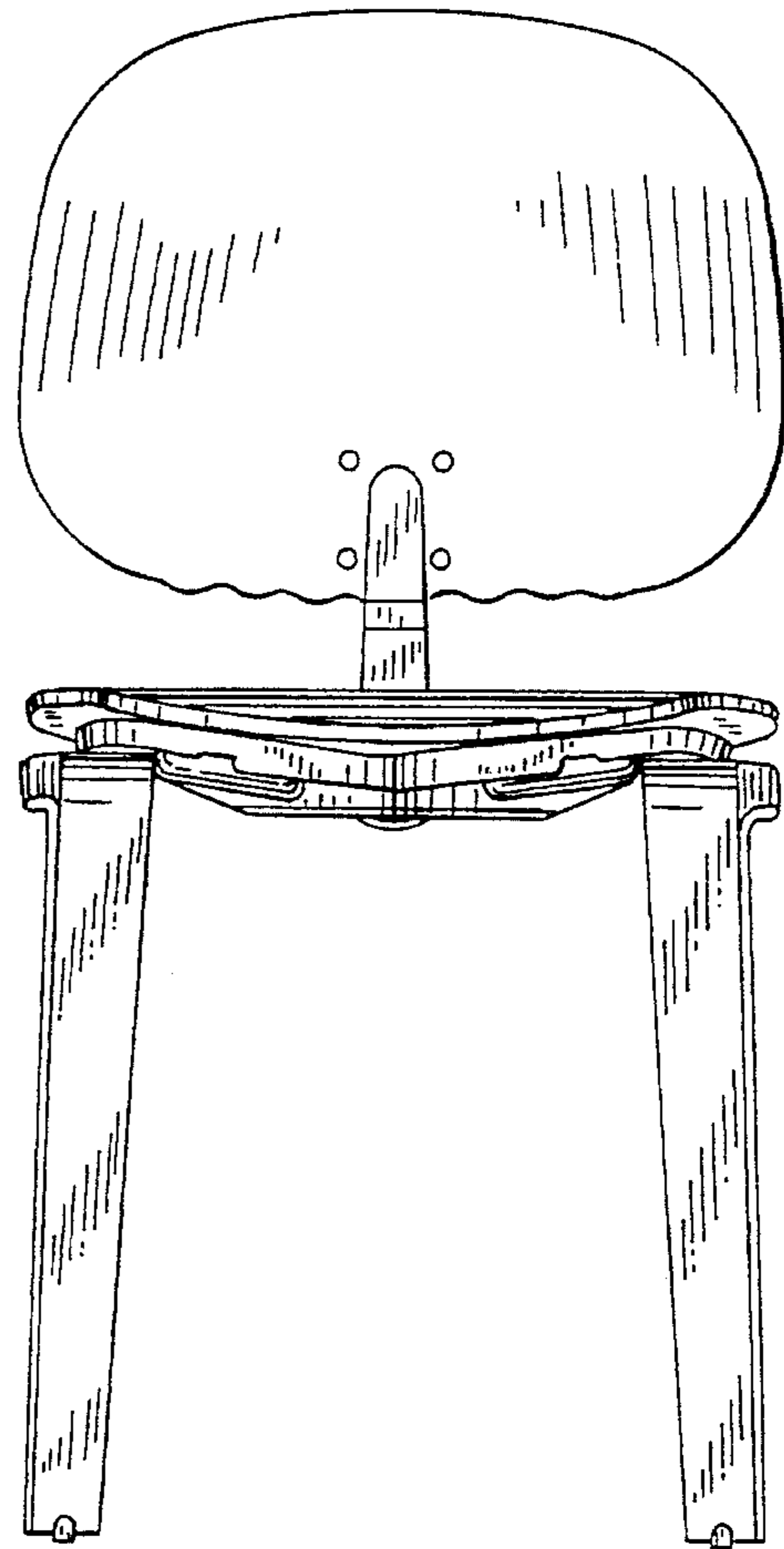


FIG. 10