



US00D376271S

# United States Patent [19]

Skalka

[11] Patent Number: **Des. 376,271**

[45] Date of Patent: **\*\*Dec. 10, 1996**

[54] BENCH

[75] Inventor: **Gerald P. Skalka**, Potomac, Md.

[73] Assignee: **Victor Stanley, Inc.**, Dunkirk, Md.

[\*\*] Term: **14 Years**

[21] Appl. No.: **47,596**

[22] Filed: **Dec. 8, 1995**

[52] U.S. Cl. .... **D6/370; D6/381**

[58] Field of Search ..... D6/334, 358, 369,  
D6/370, 371, 373, 376, 379, 380, 381,  
500, 501, 502; 297/232

[56] **References Cited**

**U.S. PATENT DOCUMENTS**

D. 5,147	8/1871	Fiske .....	D6/492
D. 185,164	5/1959	Molla .....	D6/492
D. 216,115	11/1969	Suzuki .....	D6/370
D. 217,910	6/1970	Harman .....	D6/492
D. 225,946	1/1973	Morrison et al. ....	D6/373
D. 229,591	12/1973	Trail et al. ....	D6/370
D. 233,964	12/1974	Morrison et al. ....	D6/373
D. 273,354	4/1984	Fitts .....	D6/369 X
D. 278,396	4/1985	Syme et al. ....	D6/370
D. 294,782	3/1988	Balderi .....	D6/373
D. 314,677	2/1991	Hanna .....	D6/381
D. 341,267	11/1993	Caldwell .....	D6/381
D. 345,261	3/1994	Chen .....	D6/370

D. 351,290	10/1994	Chen .....	D6/358
D. 360,538	7/1995	Skalka .....	D6/370
D. 366,773	2/1996	Yurk .....	D6/369

*Primary Examiner*—Gary D. Watson  
*Attorney, Agent, or Firm*—Popham Haik Schnobrich & Kaufman, Ltd.

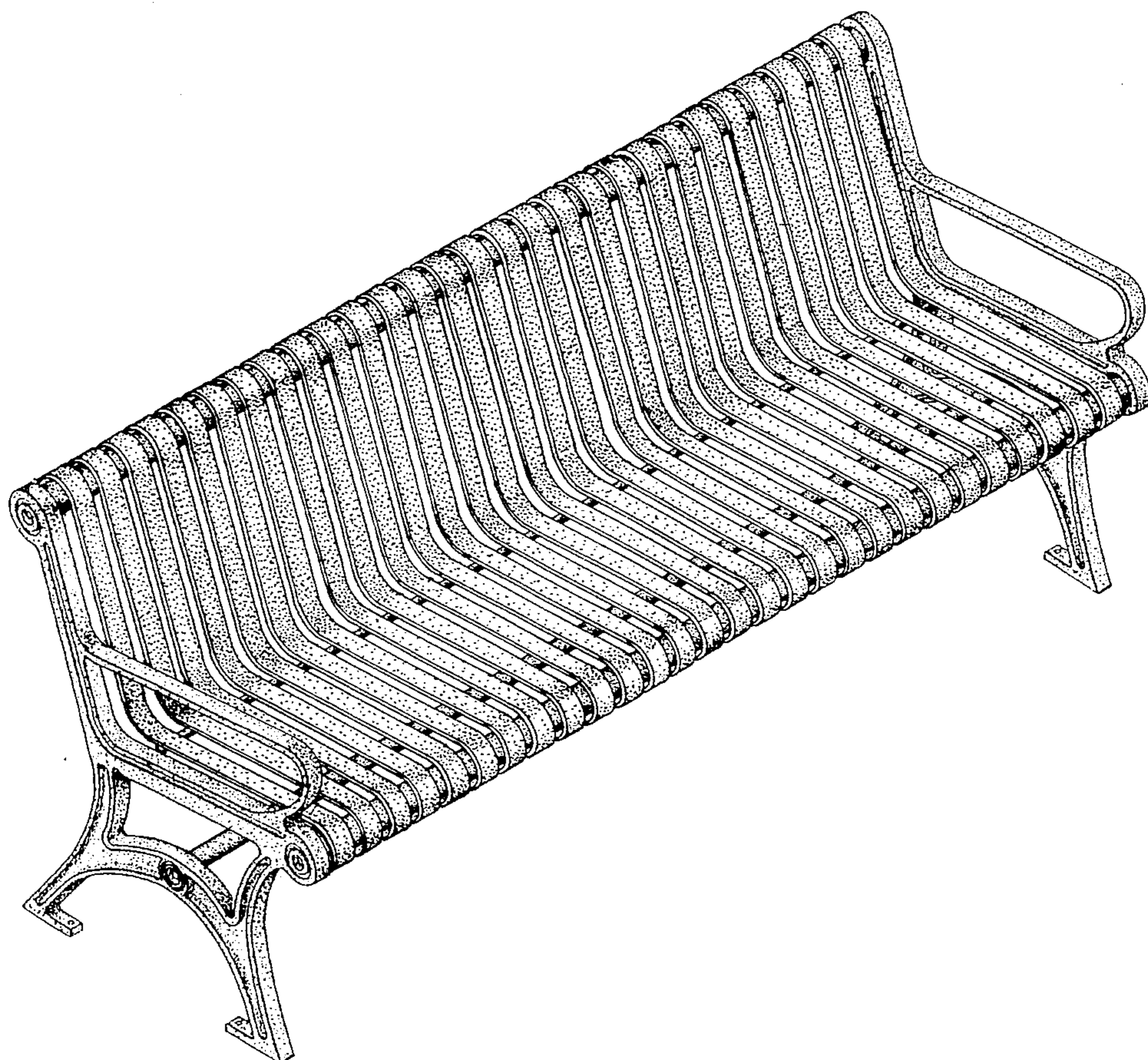
[57] **CLAIM**

The ornamental design for a bench, as shown and described.

**DESCRIPTION**

FIG. 1 is a perspective view of a bench showing a first embodiment of my new design;  
 FIG. 2 is a side elevational view of the bench of FIG. 1, the opposite side elevational view being a mirror image thereof;  
 FIG. 3 is a front elevational view of the bench of FIG. 1;  
 FIG. 4 is a bottom plan view of the bench of FIG. 1;  
 FIG. 5 is a back elevational view of the bench of FIG. 1;  
 FIG. 6 is a top plan view of the bench of FIG. 1;  
 FIG. 7 is a perspective view of a bench showing a second embodiment of my new design;  
 FIG. 8 is a side elevational view of the bench of FIG. 7, the opposite side elevational view being a mirror image thereof;  
 FIG. 9 is a front elevational view of the bench of FIG. 7;  
 FIG. 10 is a bottom plan view of the bench of FIG. 7;  
 FIG. 11 is a back elevational view of the bench of FIG. 7;  
 and,  
 FIG. 12 is a top plan view of the bench of FIG. 7.

**1 Claim, 6 Drawing Sheets**



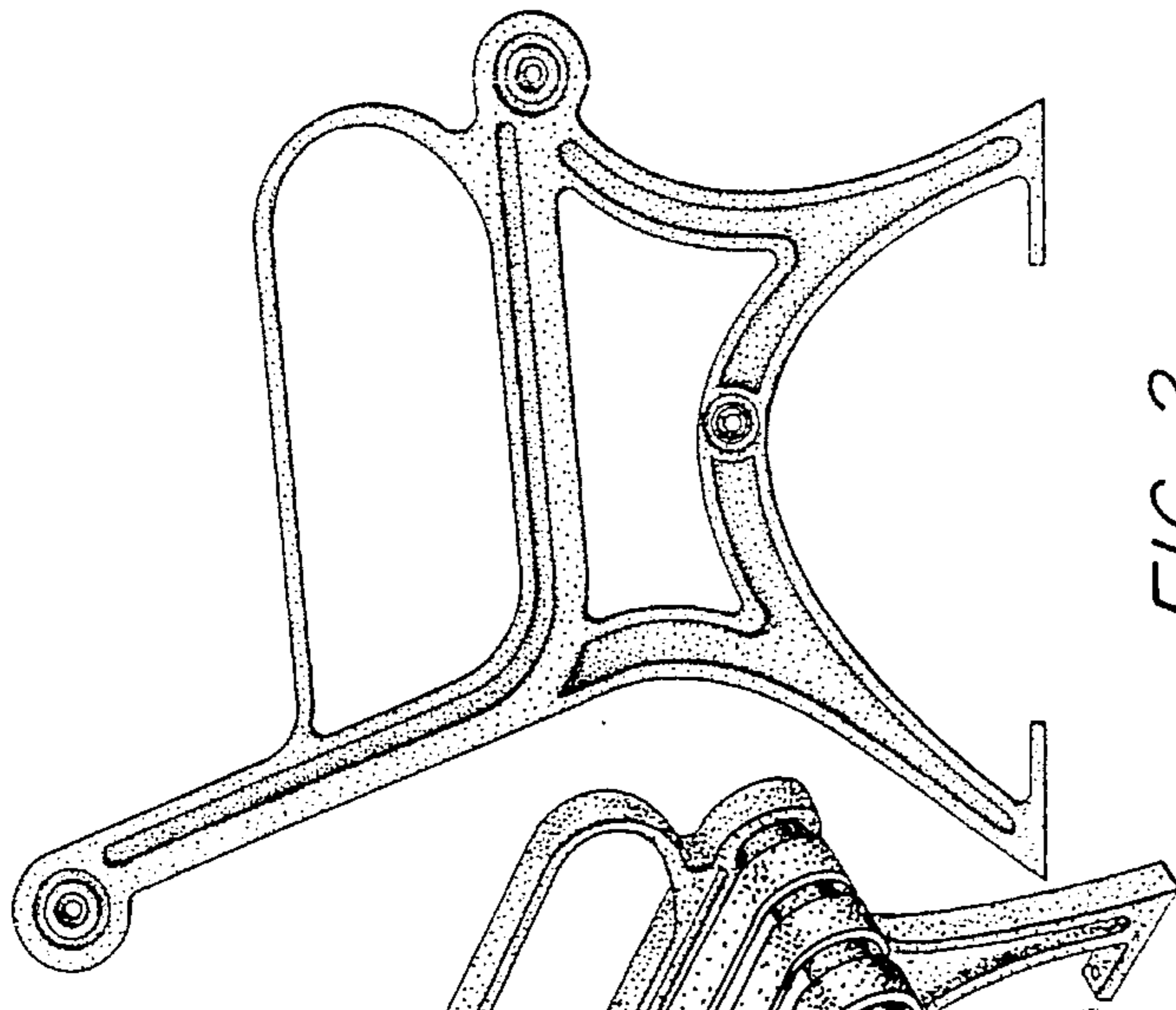


FIG. 2

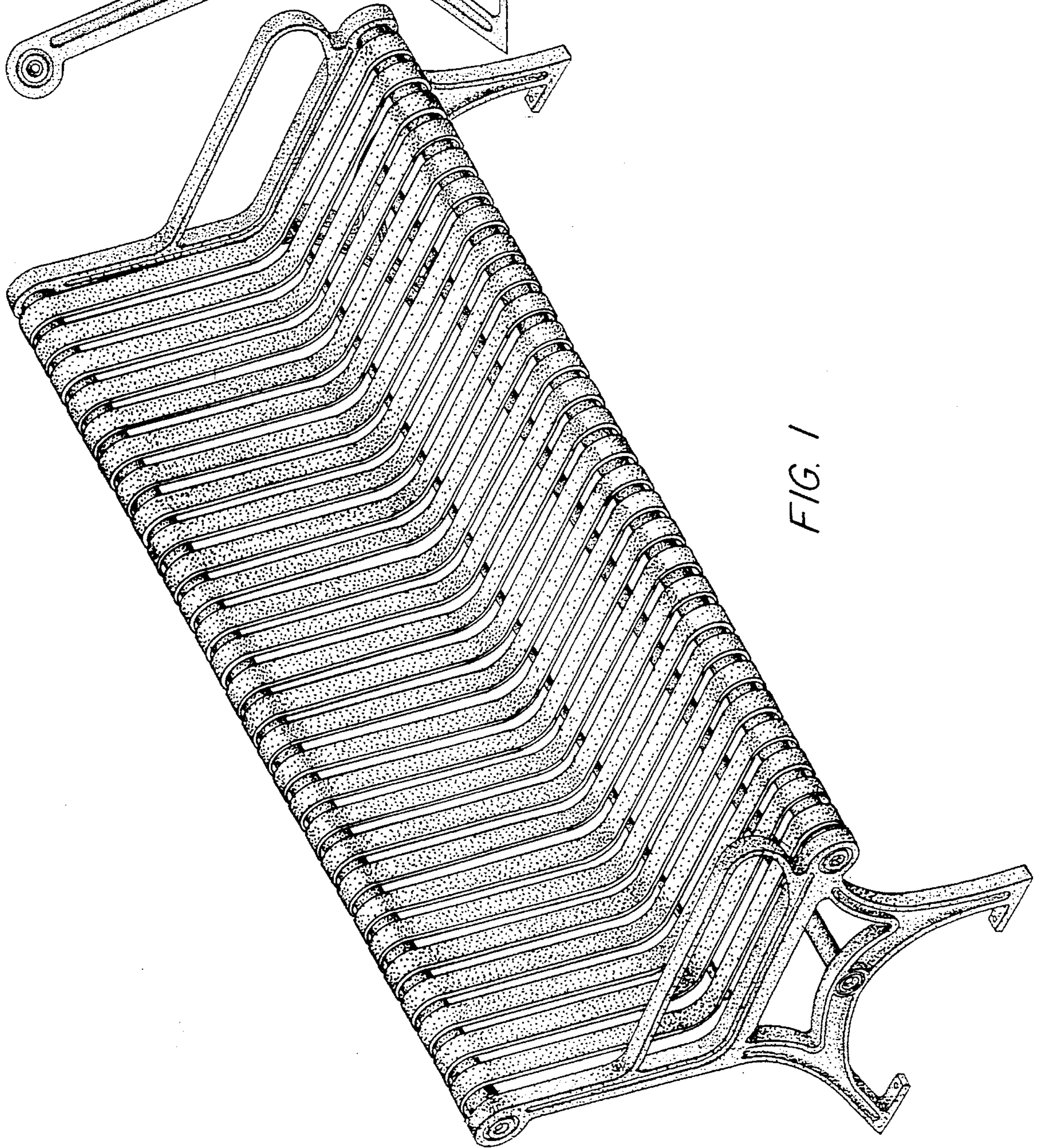


FIG. 1

FIG. 3

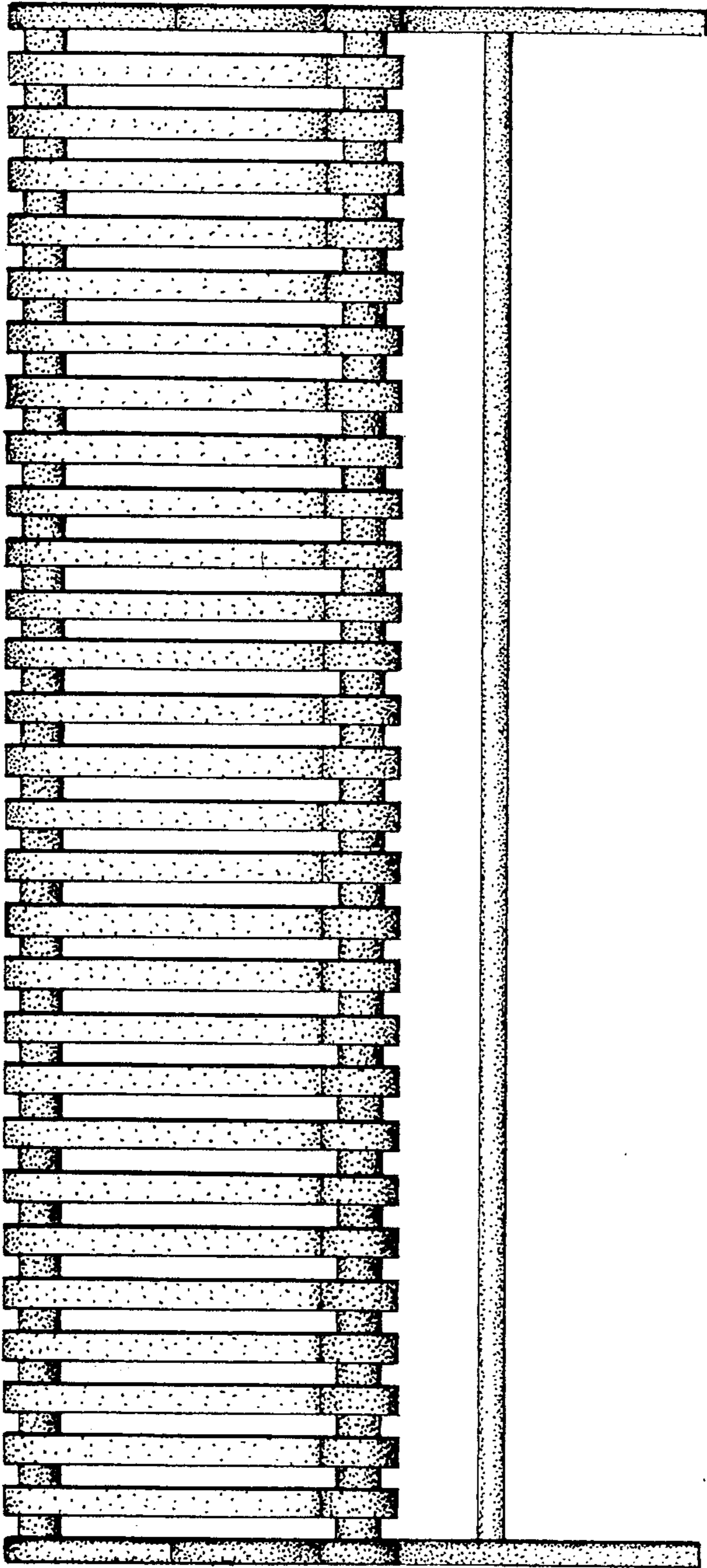


FIG. 4

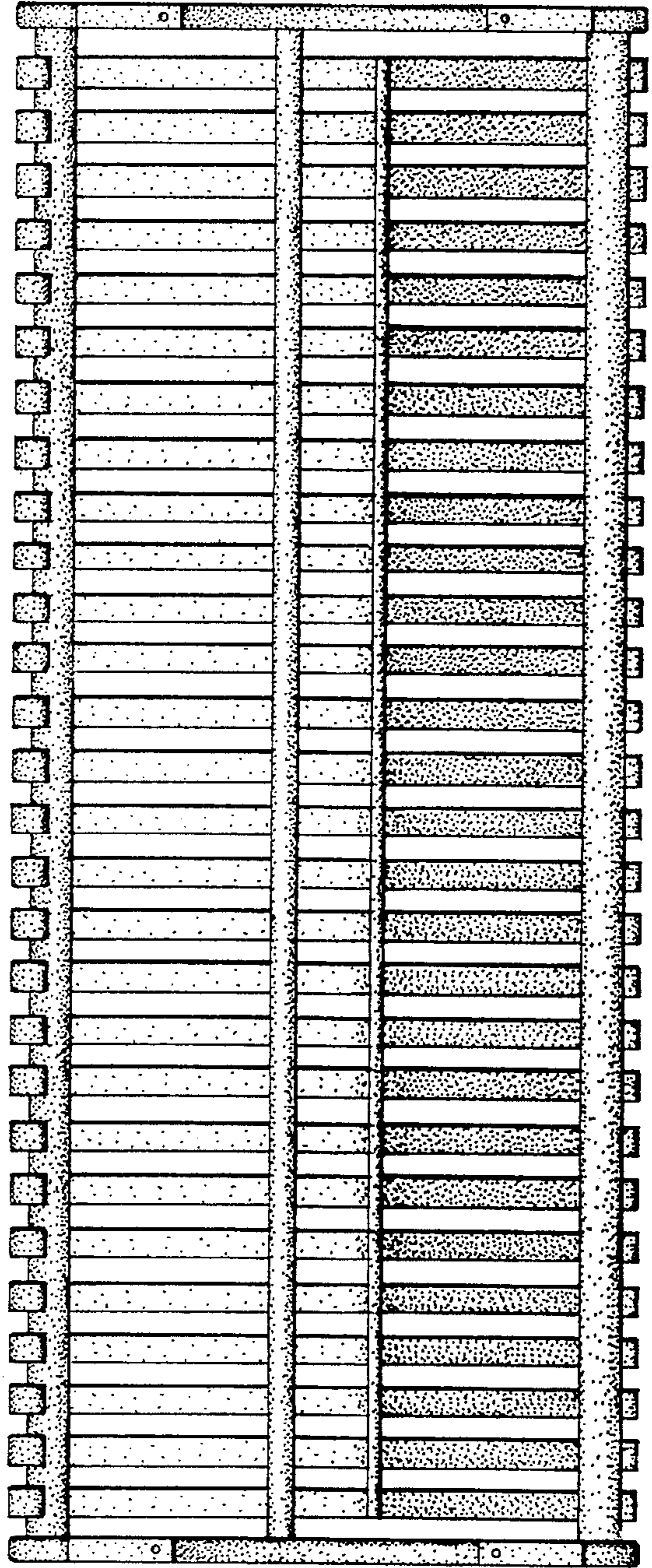


FIG. 5

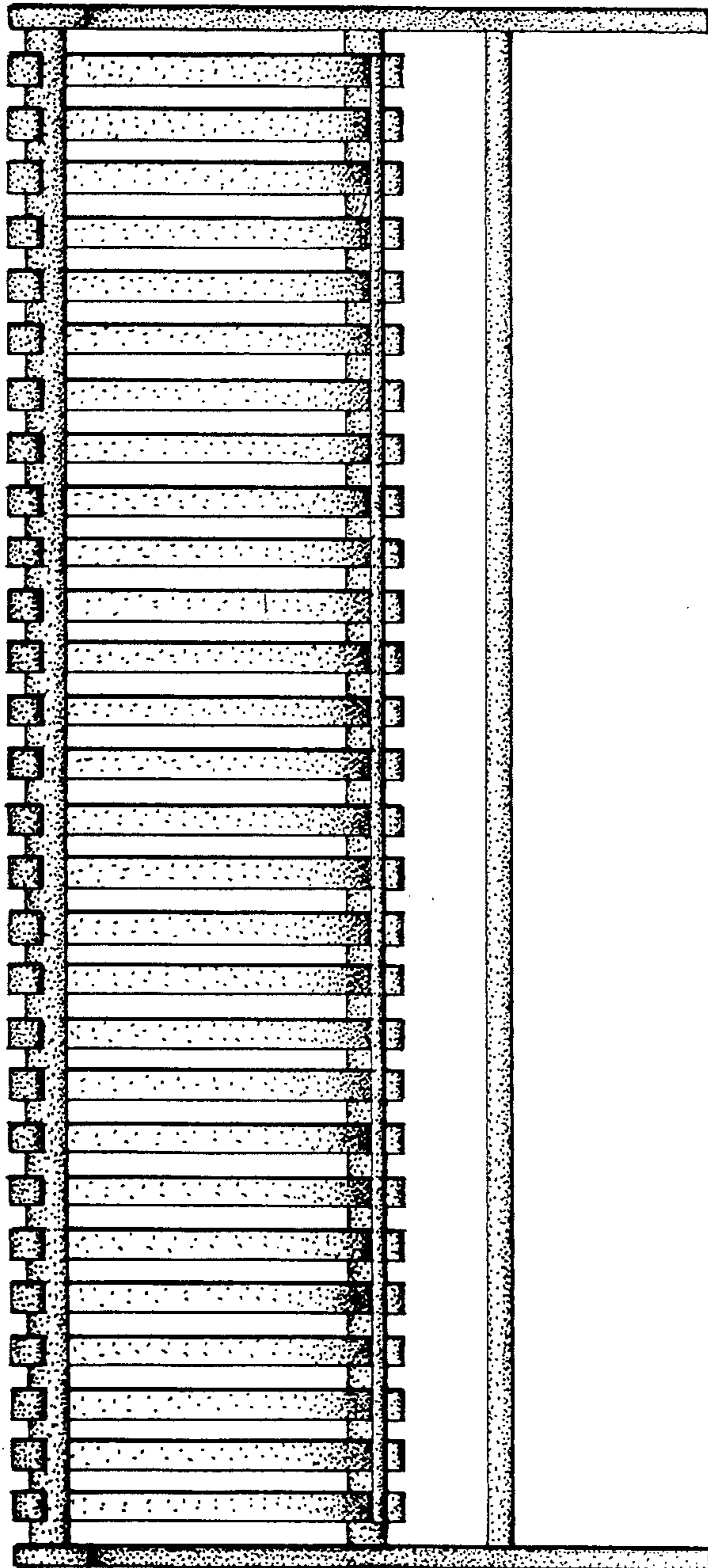
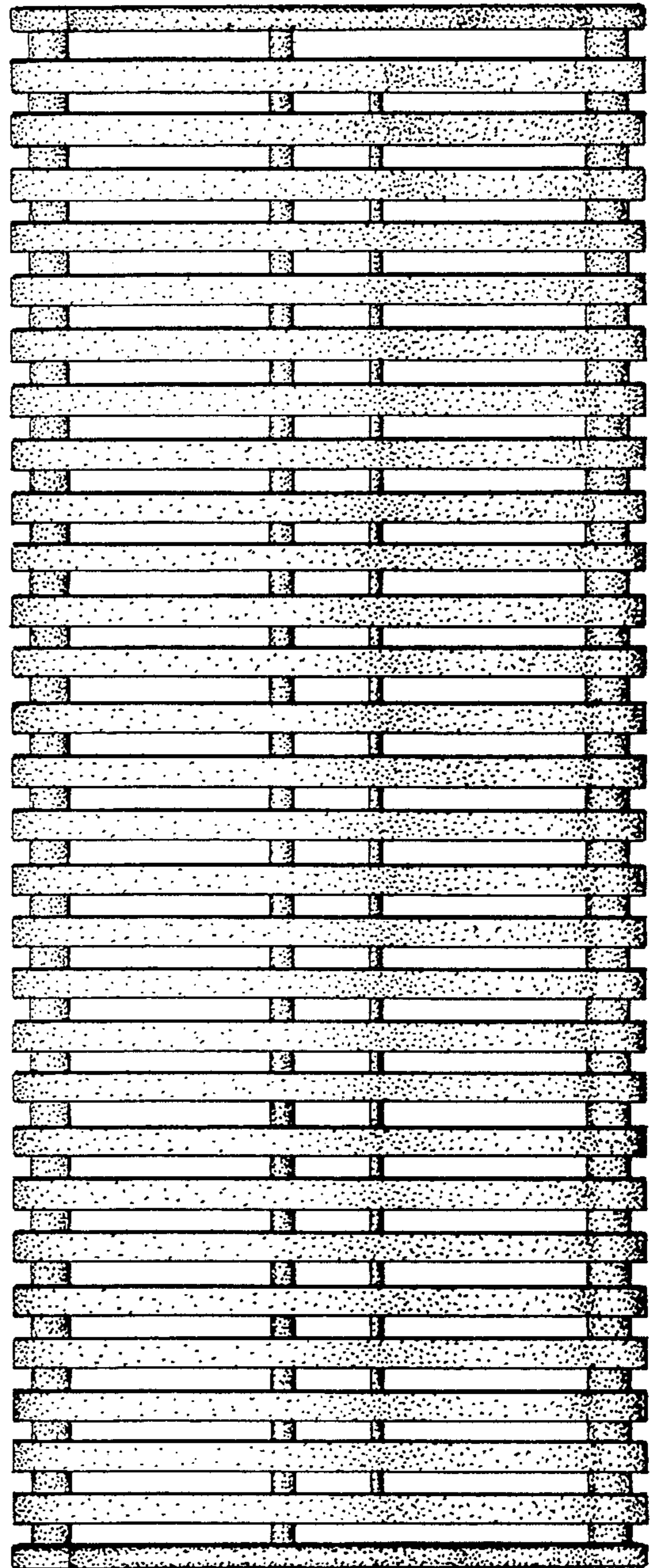


FIG. 6



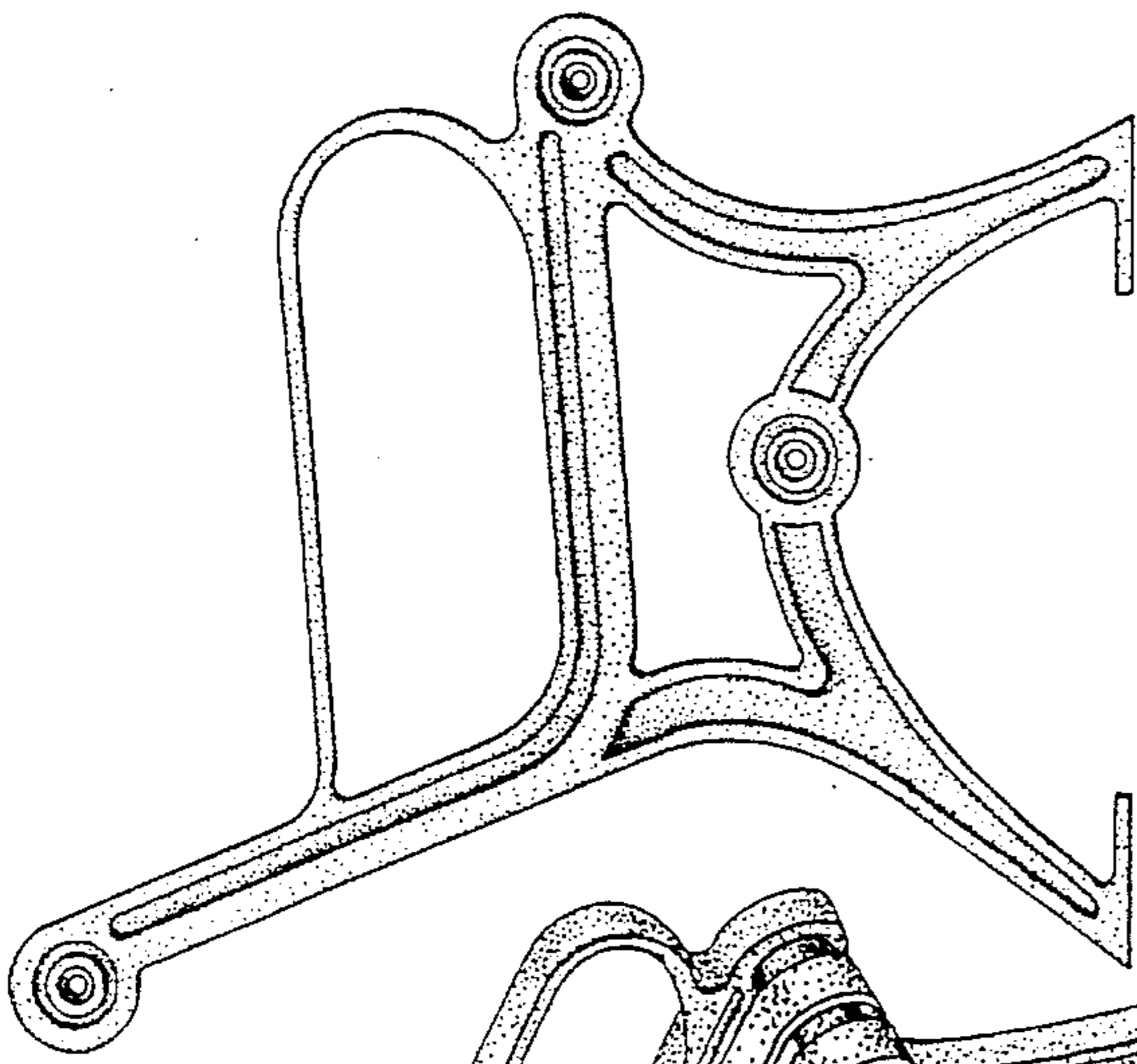


FIG. 8

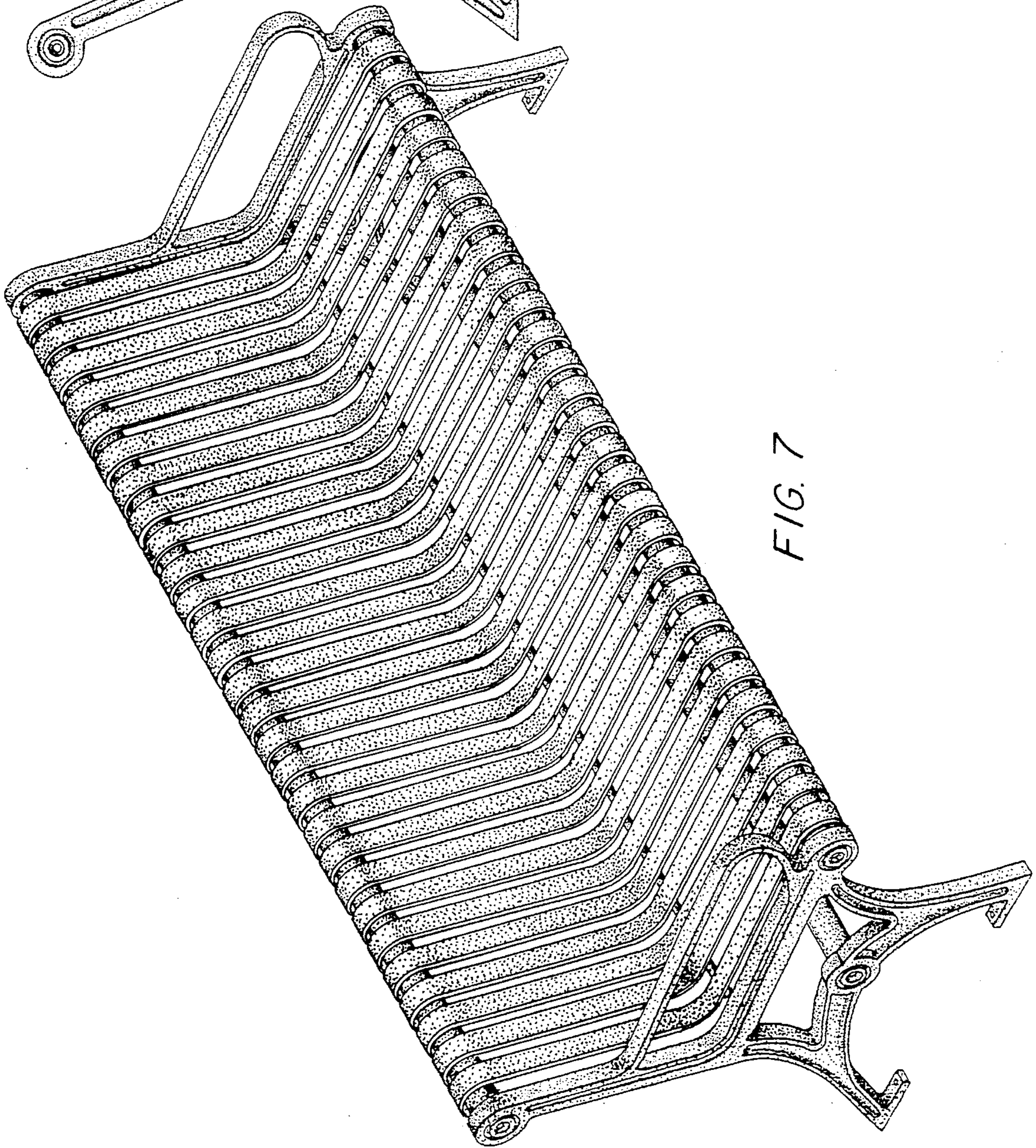


FIG. 7

FIG. 9

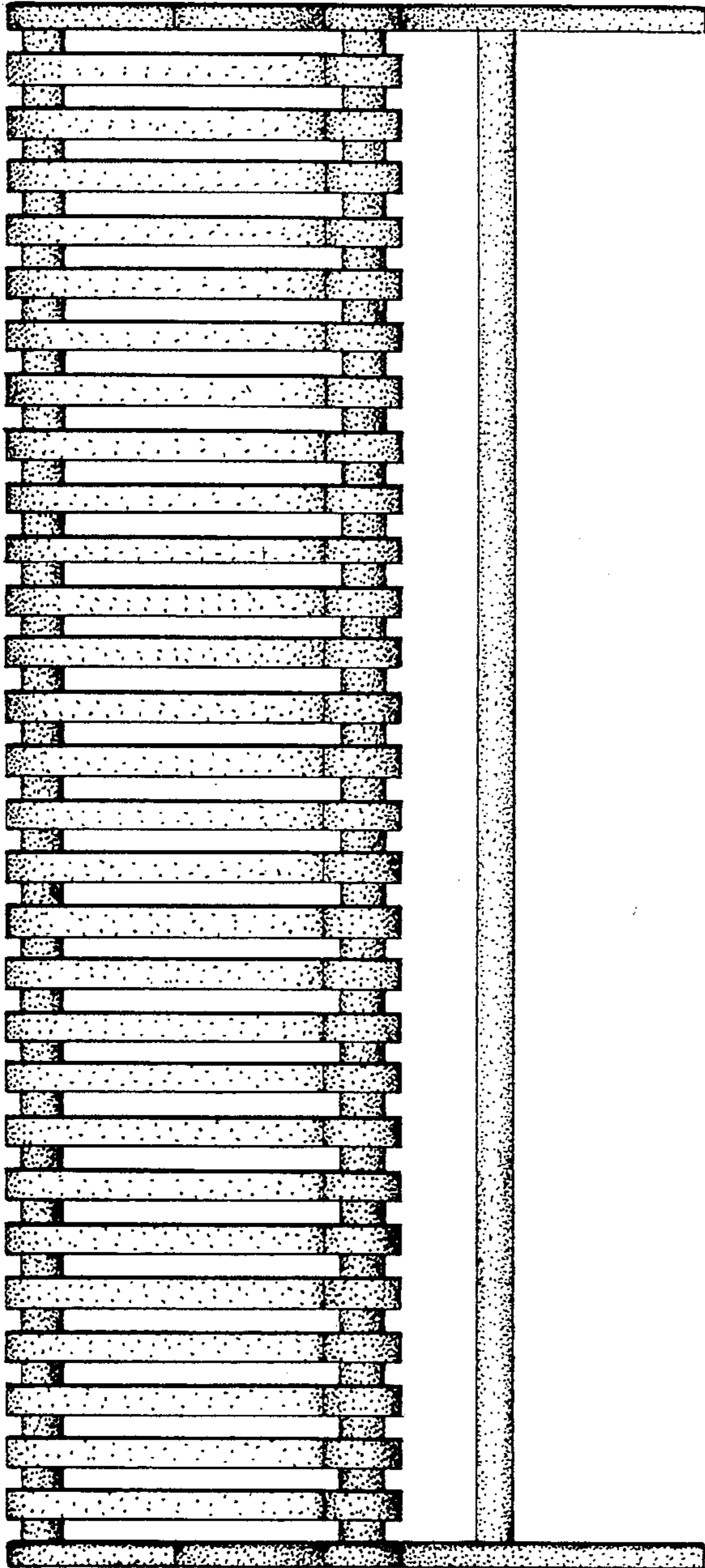


FIG. 10

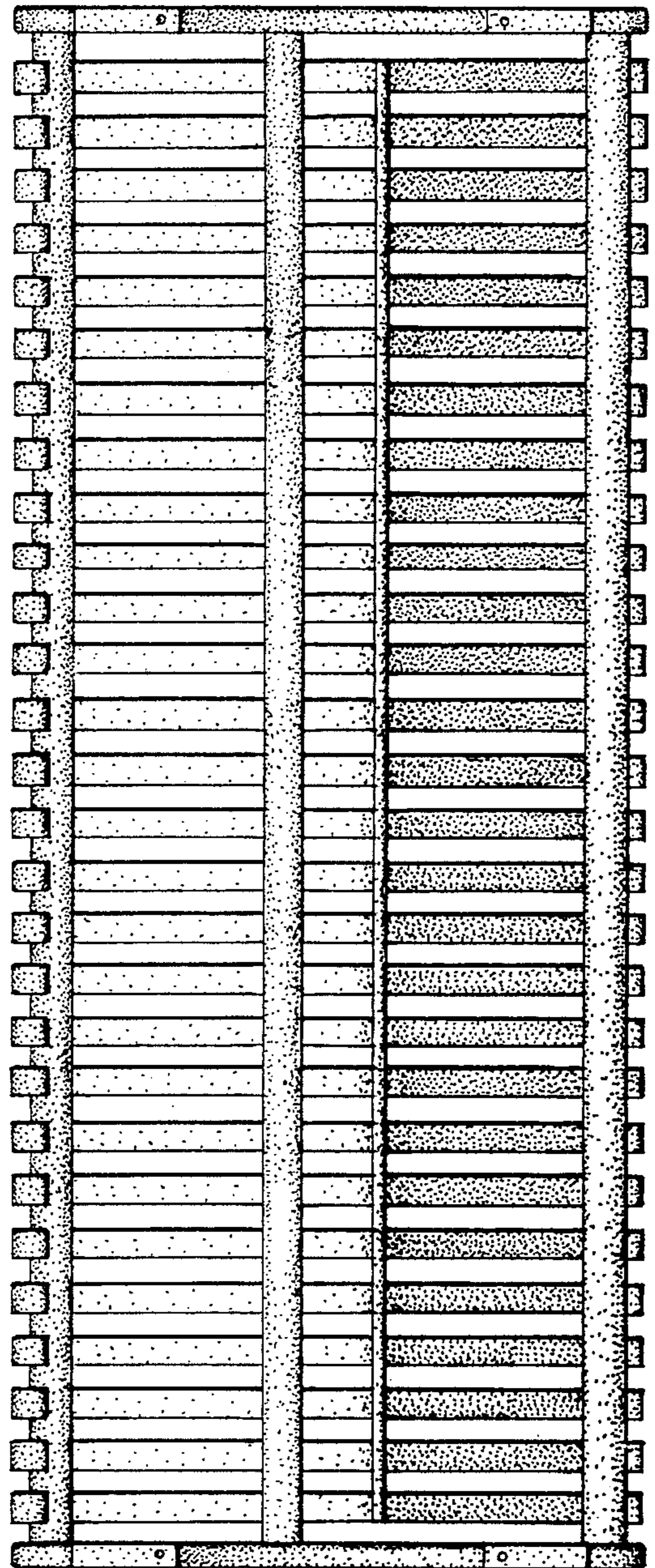


FIG. 11

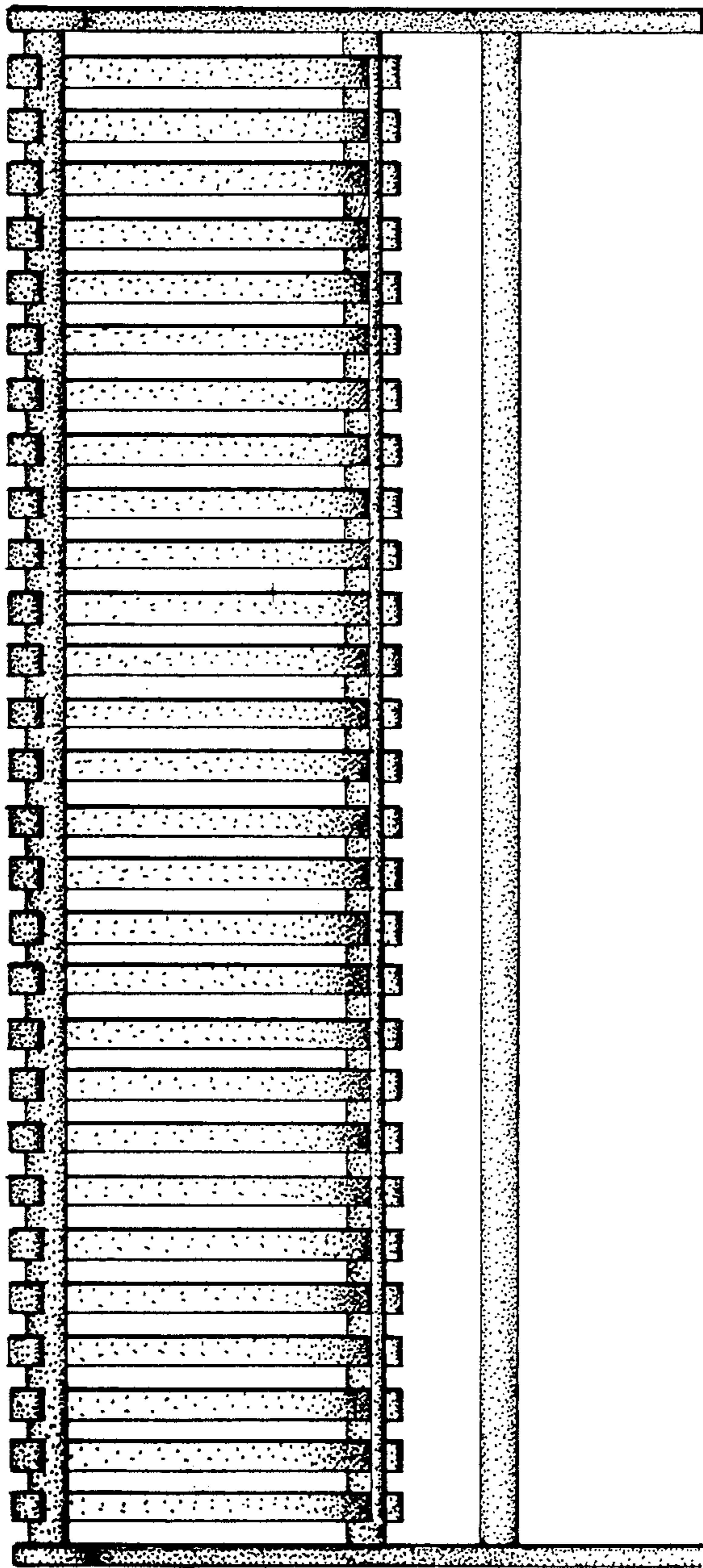


FIG. 12

