



US00D376267S

**United States Patent** [19]

[11] **Patent Number:** **Des. 376,267**

**Erlick**

[45] **Date of Patent:** **\*\*Dec. 10, 1996**

[54] **PLAY SEAT**

OTHER PUBLICATIONS

[76] Inventor: **Nancy R. Erlick**, 22 Lake Rd., Rye, N.Y. 10580

Design Catalog, Jul. 1968, p. 26, seat at center-page right. Living Designs by Don Gordon, p. 5, Frog F-100 shown in various views.

[\*\*] Term: **14 Years**

*Primary Examiner*—Gary D. Watson  
*Attorney, Agent, or Firm*—Pennie & Edmonds

[21] Appl. No.: **42,526**

[57] **CLAIM**

[22] Filed: **Aug. 11, 1995**

[52] U.S. Cl. .... **D6/358**

The ornamental design for a play seat, as shown and described.

[58] **Field of Search** ..... D6/333, 334, 335, D6/336, 345, 351, 358, 359, 500, 501, 502; D21/71, 73, 155; 297/181, 217.5

**DESCRIPTION**

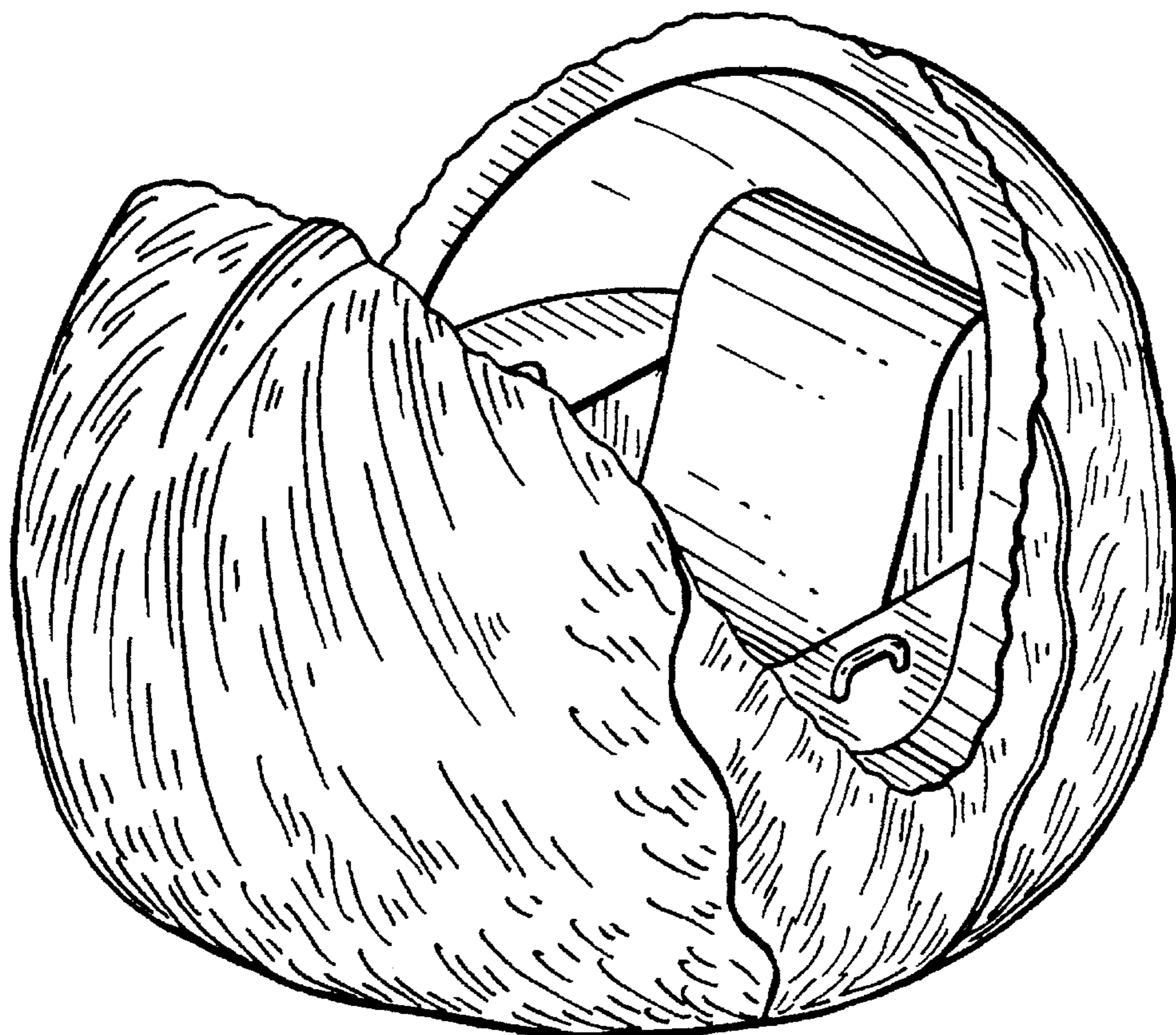
[56] **References Cited**

**U.S. PATENT DOCUMENTS**

D. 169,579	5/1953	Campbell .....	D6/358 X
D. 178,477	8/1956	Williamson .	
D. 213,269	1/1969	Wormser .	
D. 224,796	9/1972	Price et al. .	
D. 340,274	10/1993	Gleeson et al. .	
D. 346,070	4/1994	Kither .....	D6/358 X
2,959,413	11/1960	Rosenzweig et al. .	
3,339,920	9/1967	Moritz .	
3,477,713	11/1969	Cudmore .....	D21/71 X
3,495,874	2/1970	Dean .....	D6/358 X
3,964,790	6/1976	Bergeron .....	D6/359 X
4,301,766	11/1981	Piccone .	
5,330,400	7/1994	Huberman .	
5,334,098	8/1994	Pope et al. .	

FIG. 1 is a perspective view of the play seat;  
FIG. 2 is a top view;  
FIG. 3 is a side view;  
FIG. 4 is a front view;  
FIG. 5 is a bottom view;  
FIG. 6 is a cross-sectional view taken along lines 6—6 of FIG. 2. The broken line disclosure of a human figure is for environmental purposes only and forms no part of the claimed design;  
FIG. 7 is a cross-sectional view taken along lines 7—7 of FIG. 2; and,  
FIG. 8 is an exploded perspective view of a second embodiment. The sole difference of this embodiment being the cover wherein the opposite side and end not shown is a mirror image of that which has been shown.

**1 Claim, 4 Drawing Sheets**



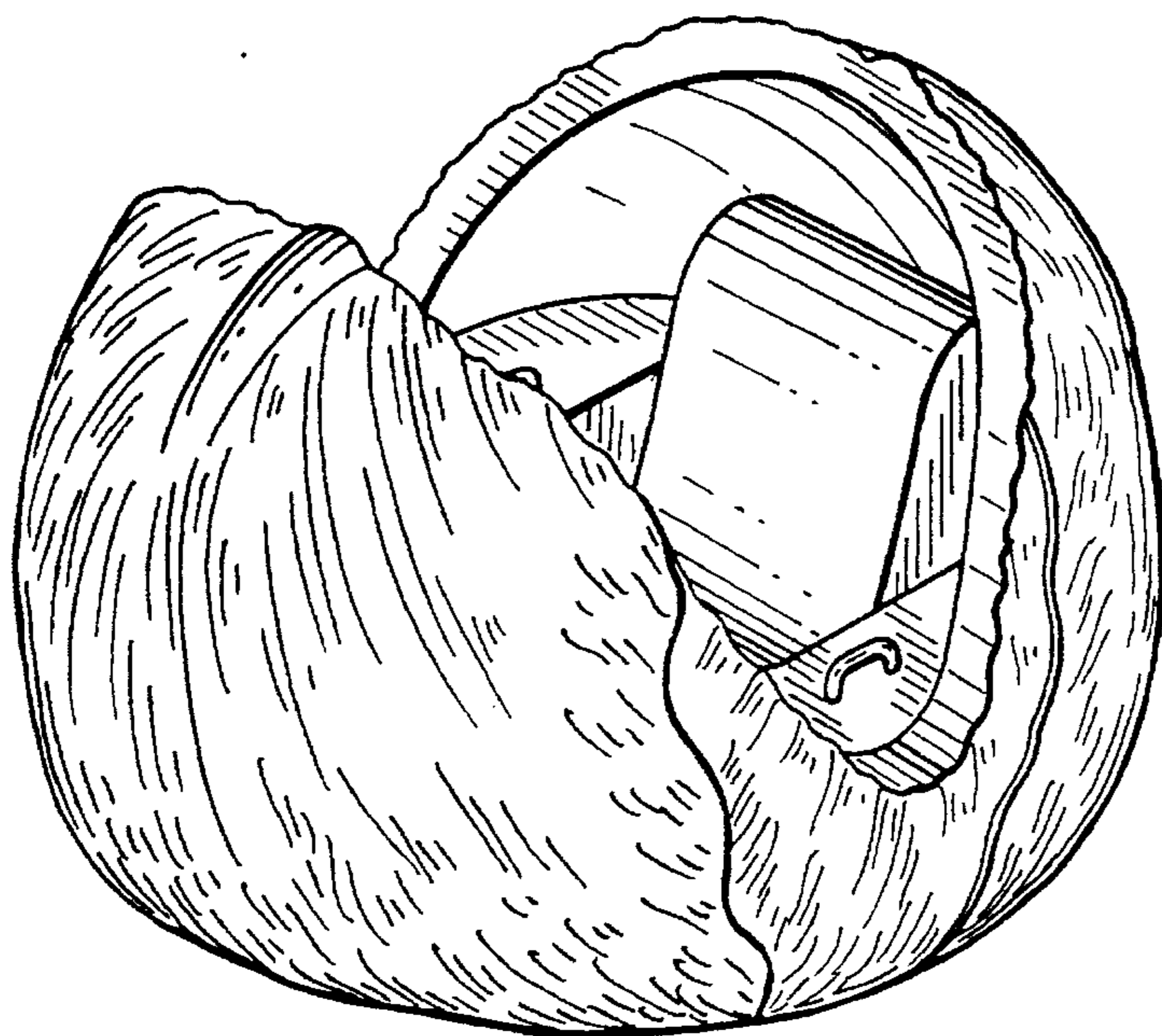


FIG. 1

FIG. 2

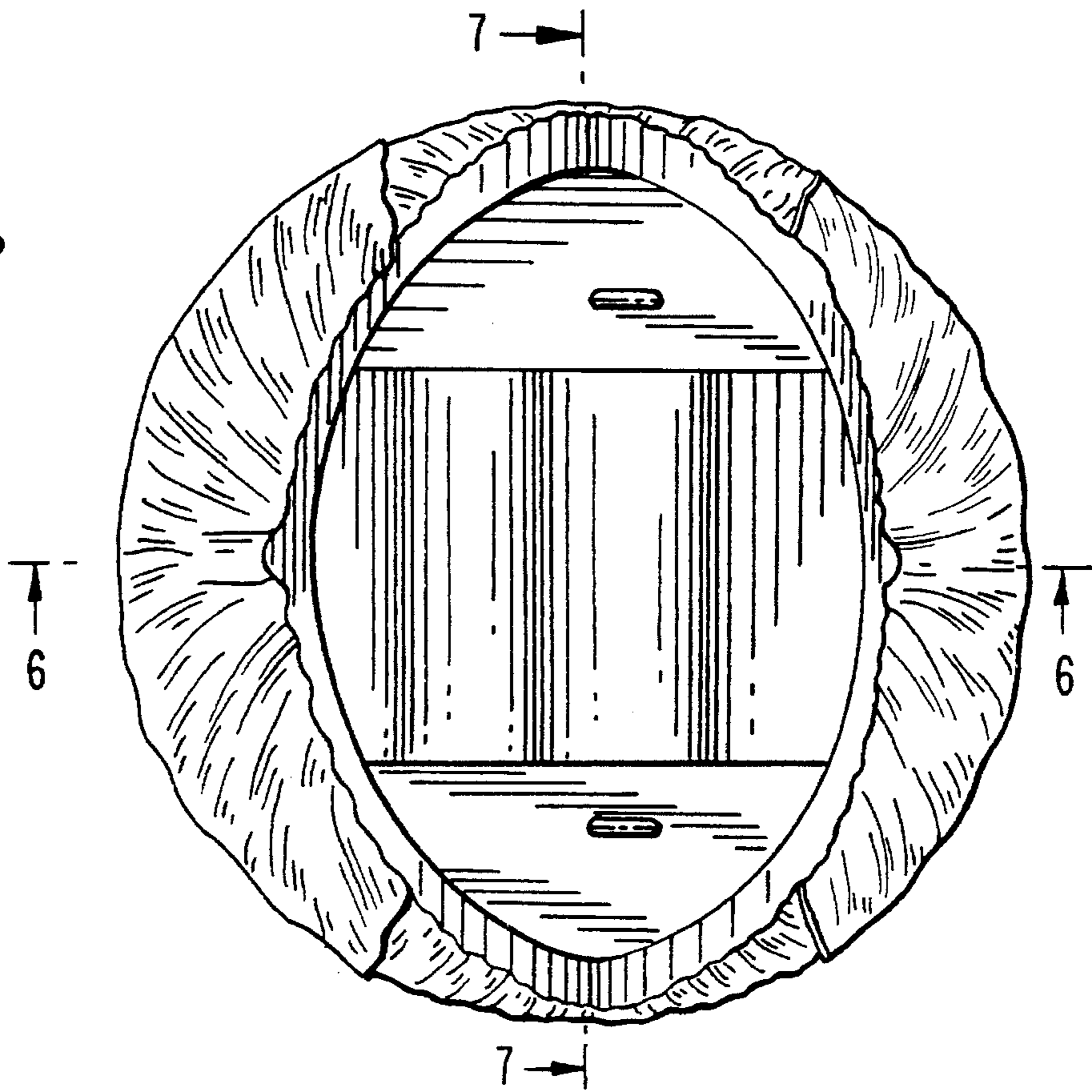




FIG. 4

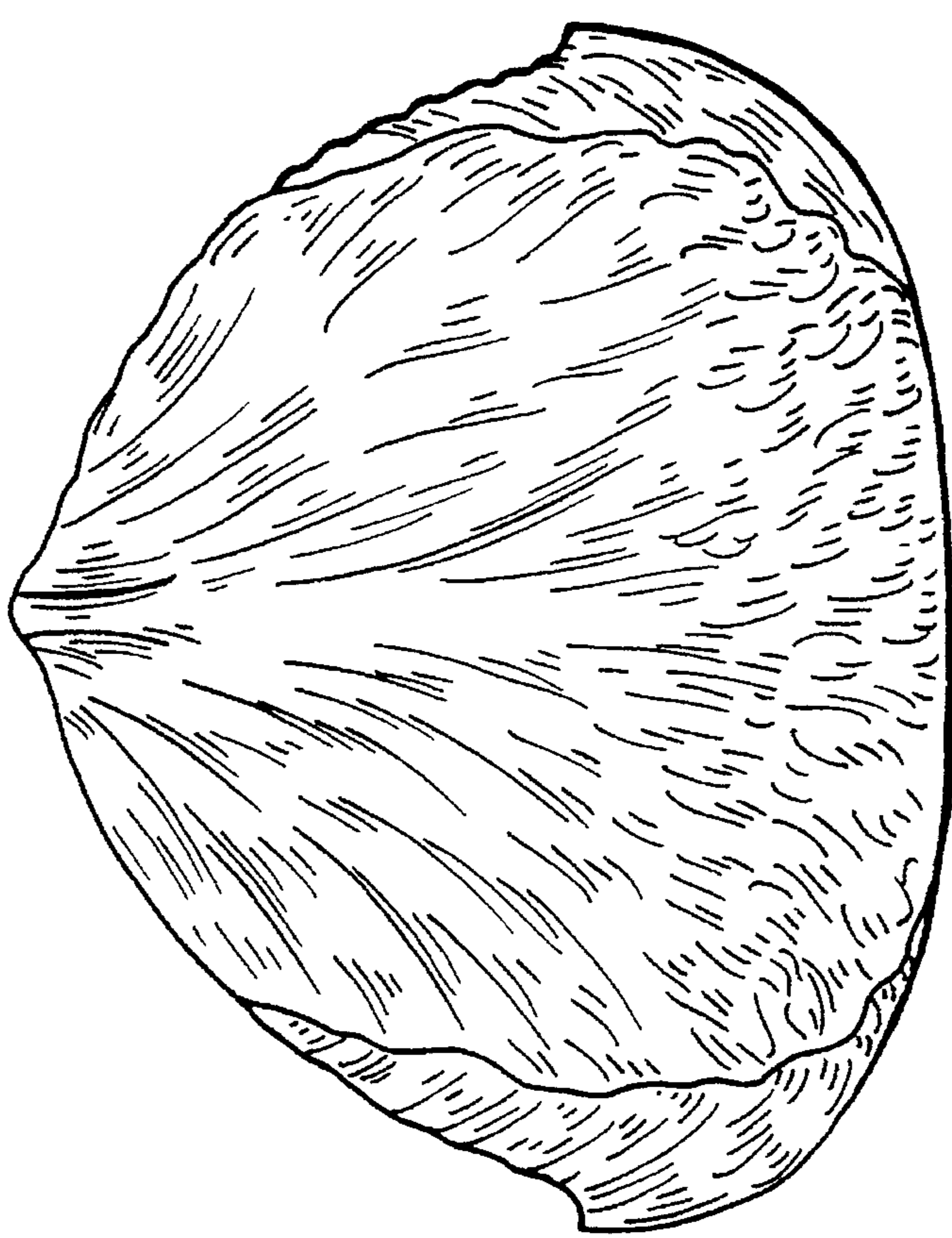
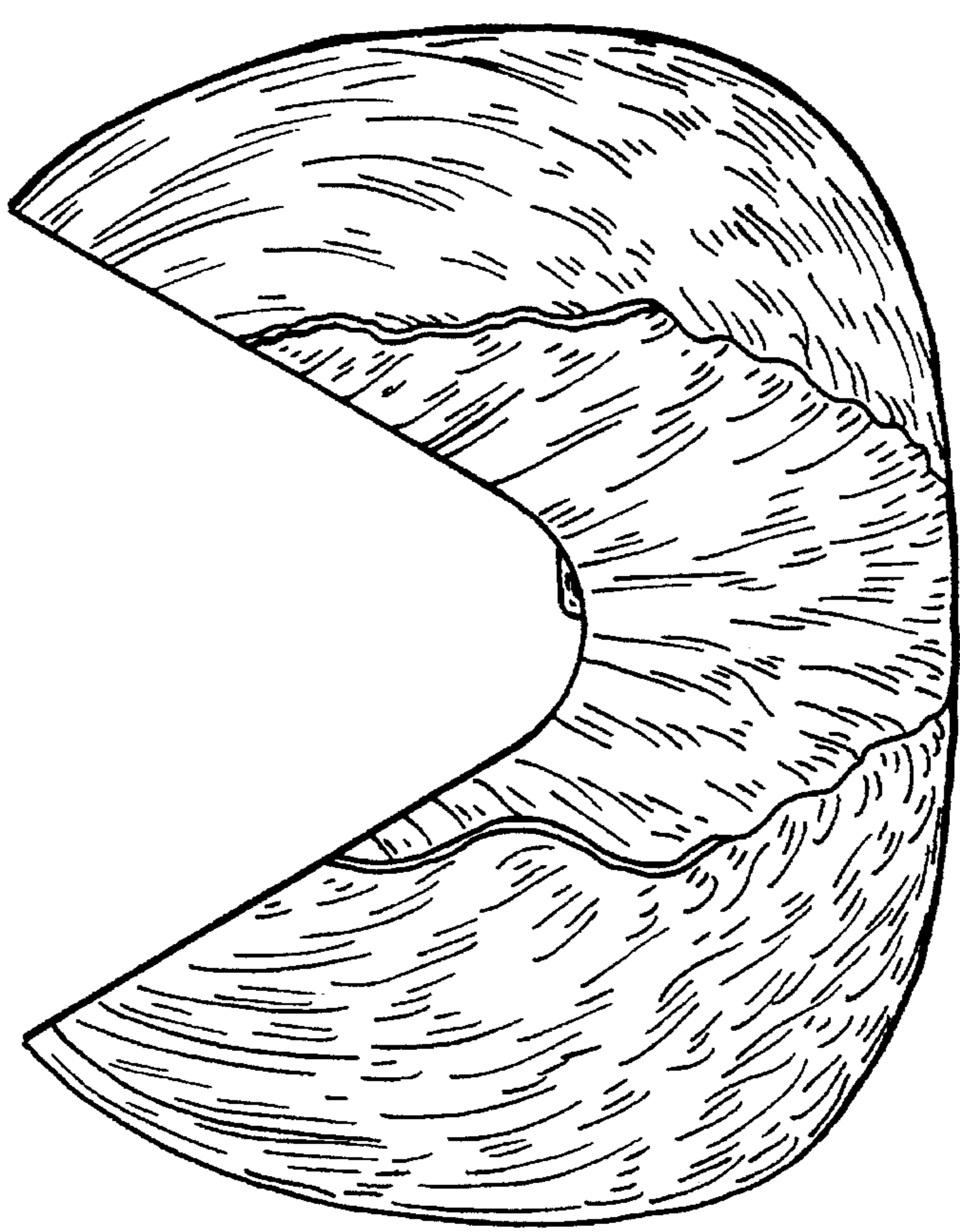
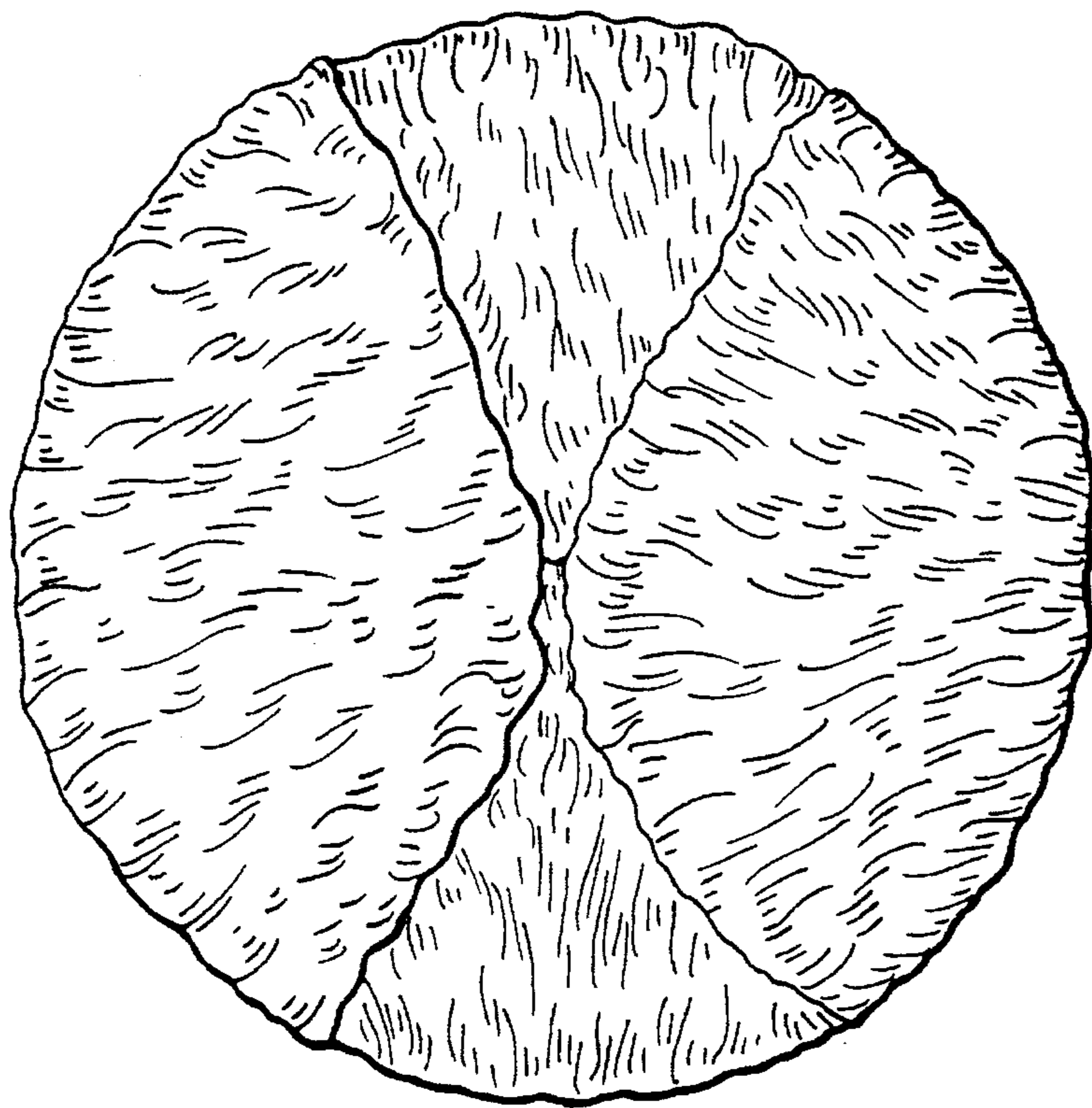


FIG. 3





*FIG. 5*



*FIG. 8*

FIG. 7

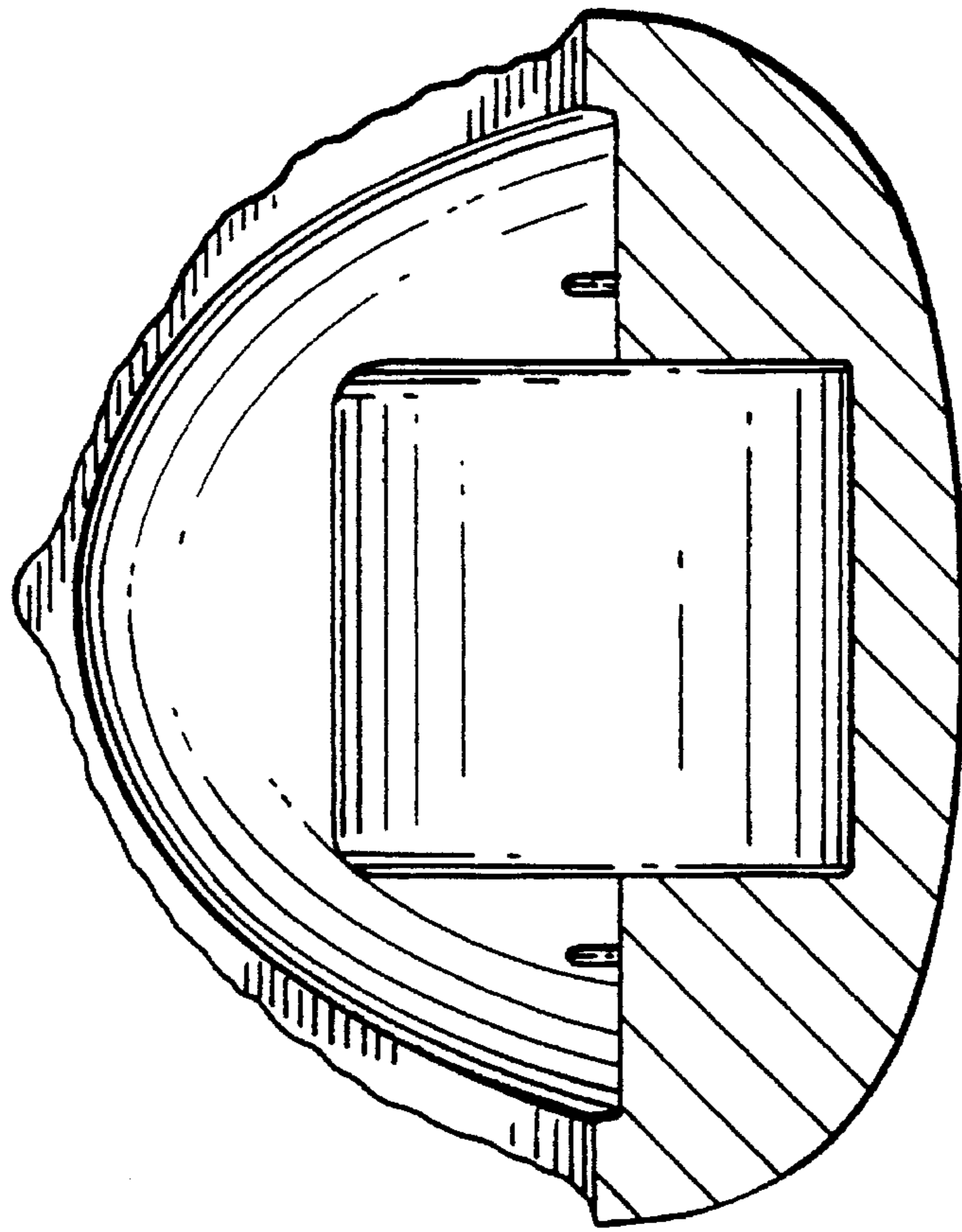


FIG. 6

