



US00D376260S

# United States Patent [19]

[11] Patent Number: **Des. 376,260**

Haley et al.

[45] Date of Patent: **\*\*Dec. 10, 1996**

- [54] **LID FOR STORAGE CONTAINER**
- [75] Inventors: **Vincent L. Haley, Orrville; Timothy W. Romantic, Stow, both of Ohio**
- [73] Assignee: **Rubbermaid Incorporated, Wooster, Ohio**
- [\*\*] Term: **14 Years**
- [21] Appl. No.: **40,647**
- [22] Filed: **Jun. 20, 1995**
- [52] U.S. Cl. .... **D3/323; D3/318; D3/326; D3/319; D9/435; D9/443**
- [58] Field of Search ..... **D3/318, 319, 321, D3/201, 273, 294, 276, 323, 326; D9/424, 425, 435, 443; 220/349, 345, 306; D7/605**

3,351,227	11/1967	Collie .....	220/60
3,419,184	12/1968	Asenbauer .....	220/97
3,741,433	6/1973	Bentley et al. ....	220/55.7
3,938,688	2/1976	Ryan .....	220/23.8
4,593,816	6/1986	Langenbeck .....	206/425
4,863,023	9/1989	Payne et al. ....	206/364
5,366,104	11/1994	Armstrong .....	220/339

### OTHER PUBLICATIONS

Label, Storage box lids; Rhenanit, address unknown. It is believed that the product depicted herein as been on sale for more than one (1) year prior to the application date of this instant application.

Label, Storage container lids; Dial Industries, Inc., Los Angeles, California. Its is believed that the product depicted herein as been on sale for more than one (1) year prior to the applicaton date of this instant application.

P. 10, Storage container lids; Contico Manufacturing Company, 123 Byassee, Hazelwood, Missouri 63042. Publication date 1991-92.

Label, Storage container lids; Contico Manufacturing Company, 123 Byassee, Hazelwood, Missouri 63042. Published at least as early as May, 1993.

(List continued on next page.)

*Primary Examiner*—Philip S. Hyder

*Attorney, Agent, or Firm*—Richard B. O'Planick; Lisa B. Riedesel

### [56] References Cited

#### U.S. PATENT DOCUMENTS

D. 238,051	12/1975	Fier .....	D9/240
D. 238,148	12/1975	Dilot .....	D9/219
D. 246,828	1/1978	White .....	D9/267
D. 249,930	10/1978	Seager .....	D9/219
D. 258,723	3/1981	Cornou .....	D7/76
D. 286,937	11/1986	Schafer .....	D34/43
D. 302,774	8/1989	Murphy .....	D7/76
D. 308,340	6/1990	Ilsen .....	D9/425
D. 319,016	8/1991	Kahl .....	D9/424
D. 326,815	6/1992	Meisner et al. ....	D9/424
D. 327,203	6/1992	Kahl .....	D7/605
D. 328,425	8/1992	Brightbill .....	D9/425
D. 329,331	9/1992	Hobson .....	D3/294
D. 329,747	9/1992	Embree .....	D3/78
D. 330,161	10/1992	Schuh .....	D9/423
D. 330,329	10/1992	Brightbill .....	D9/424
D. 334,662	4/1993	Van Berne .....	D3/70
D. 339,471	9/1993	Maple et al. ....	D3/78
D. 342,609	12/1993	Brightbill .....	D3/78
D. 348,394	7/1994	Dreyer .....	D9/425
D. 349,646	8/1994	Dickinson .....	D9/423
D. 353,048	12/1994	VanSkiver et al. ....	D3/276
D. 355,765	2/1995	Miller .....	D3/318
D. 355,766	2/1995	Miller .....	D3/319
D. 358,328	5/1995	Huerto et al. ....	D9/435
D. 362,117	9/1995	Koenig et al. ....	D3/326

### CLAIM

[57] The ornamental design for a lid for storage container, as shown and described.

### DESCRIPTION

FIG. 1 is a top left front perspective view of a lid for storage container showing our new design;

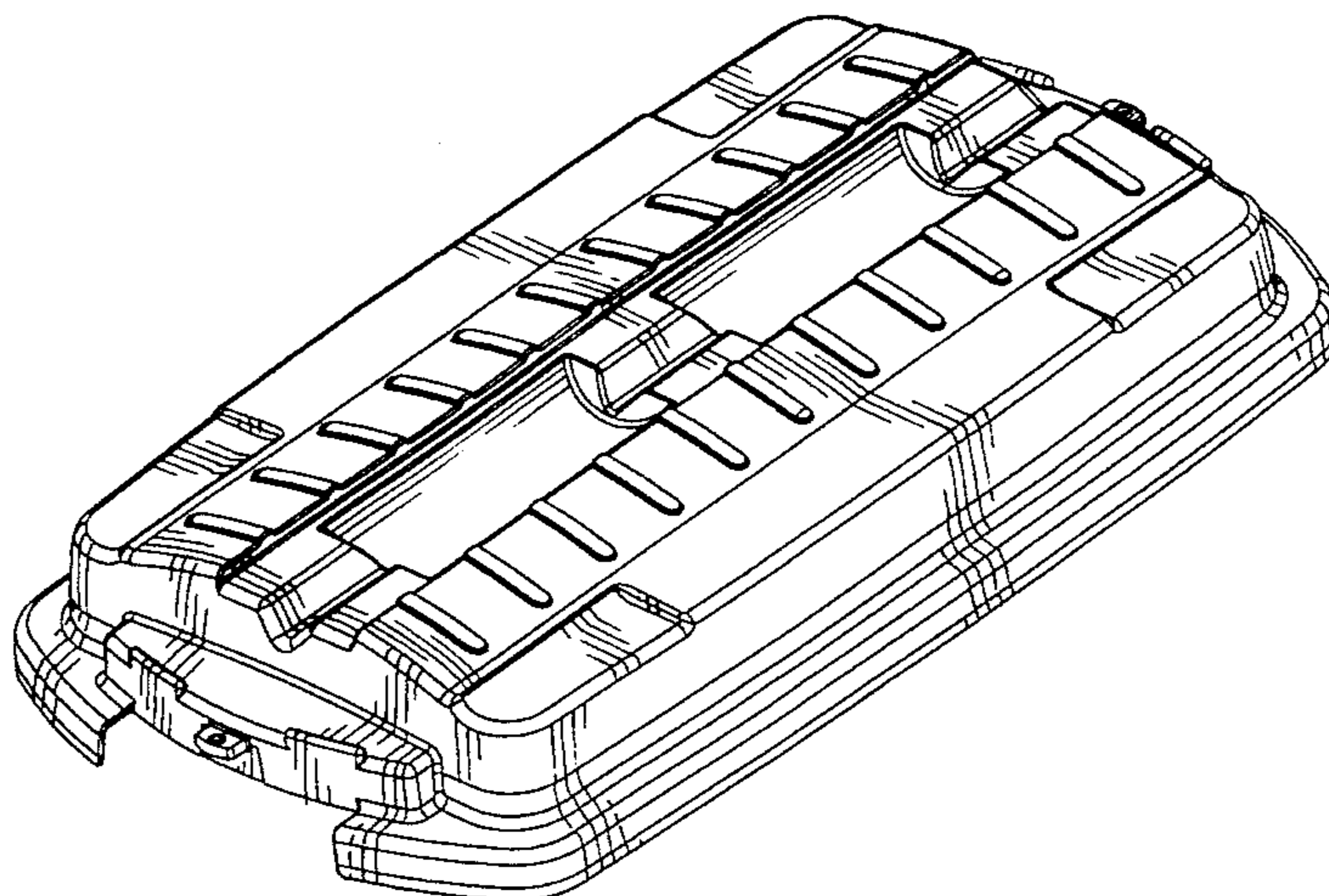
FIG. 2 is a left side elevational view thereof; the right side elevational view being a mirror image;

FIG. 3 is a bottom plan view thereof;

FIG. 4 is a top plan view thereof; and,

FIG. 5 is a front elevational view thereof; the rear elevational view being a mirror image.

1 Claim, 4 Drawing Sheets



**OTHER PUBLICATIONS**

Catalog page, Storage box lids; Frem Corporation, 60 Webster Place, Box 4, Worcester, Massachusetts 01603. Published at least as early as 1993.

Catalog page, Tote bin lids; Sterilite Corporation, P. O. Box 524, Main Street, Townsend, Massachusetts. Publication date 1990.

Sell sheet, Storage box lids; Sterilite Corporation, P. O. Box 524, Main Street, Townsend, Massachusetts. Publication date 1991.

Catalog page, Storage container lids; The Coleman Company, 250 North St. Francis, Wichita, Kansas 67202. Published at least as early as 1992.

P. 10, Storage container lids; Tucker Housewares, 25 Tucker Drive, Leominster, Massachusetts 01453. Publication date 1992-93.

Sell sheet, Tote container lids; Tucker Housewares, 25 Tucker Drive, Leominster, Massachusetts 01453. Published at least as early as 1991.

Label, Accessory box lid; Tamor Plastics Corp., Leominster, Massachusetts. Published at least as early as 1992.

P. 7, Storage container lids; Tamor Plastics Corp., Leominster, Massachusetts. Publication date 1989.

P. 18, Food box lids; Rubbermaid Commercial Products Inc., 3124 Valley Avenue, Winchester, Virginia 22601. Publication date 1992.

Sell sheet, Storage container lids; Rubbermaid Incorporated, 1147 Akron Road, Wooster, Ohio 44691. Publication date 1994.

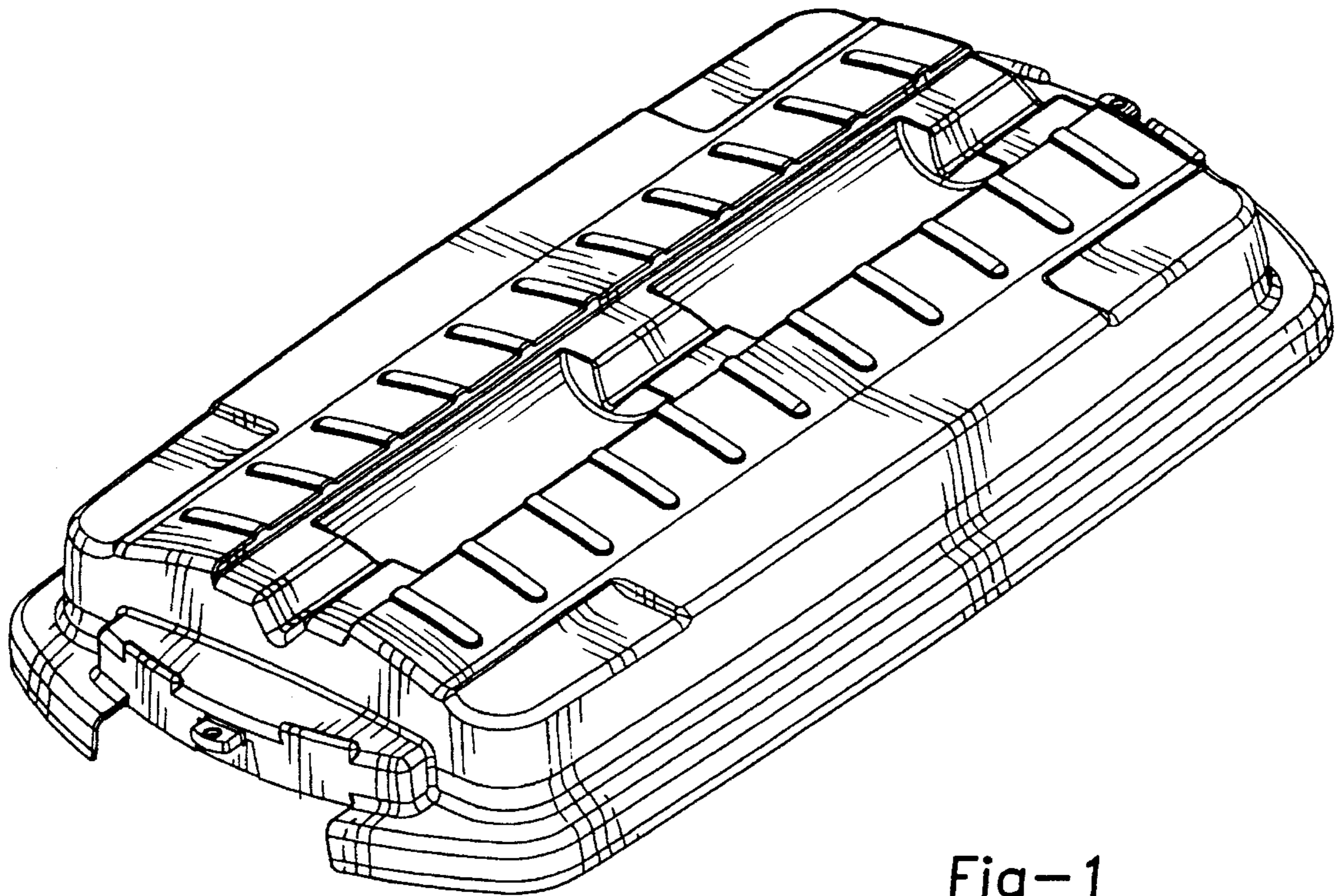


Fig-1

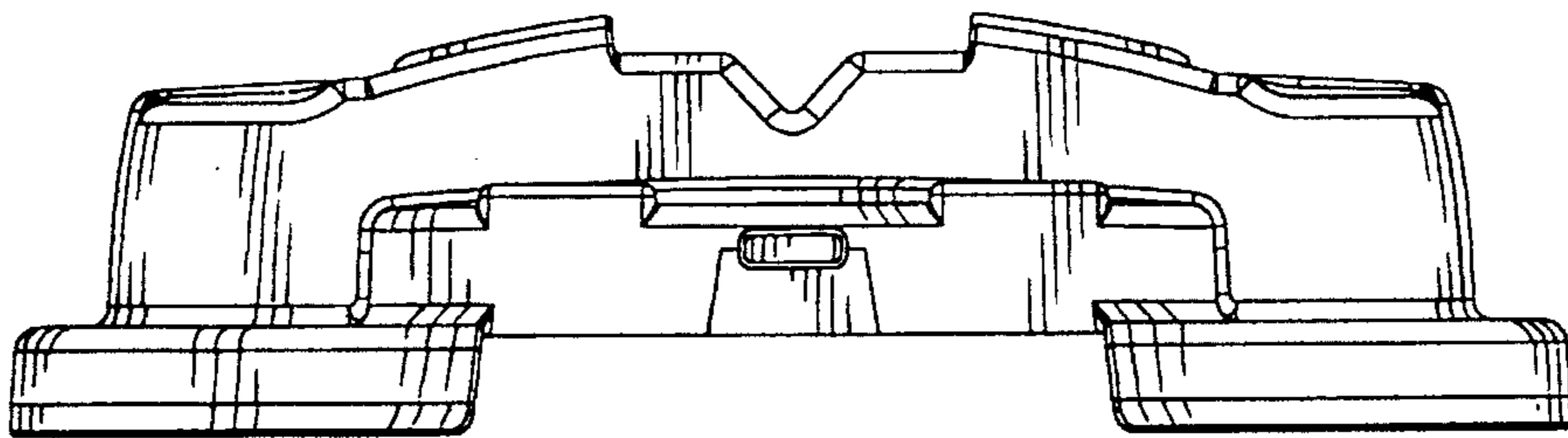


Fig-2

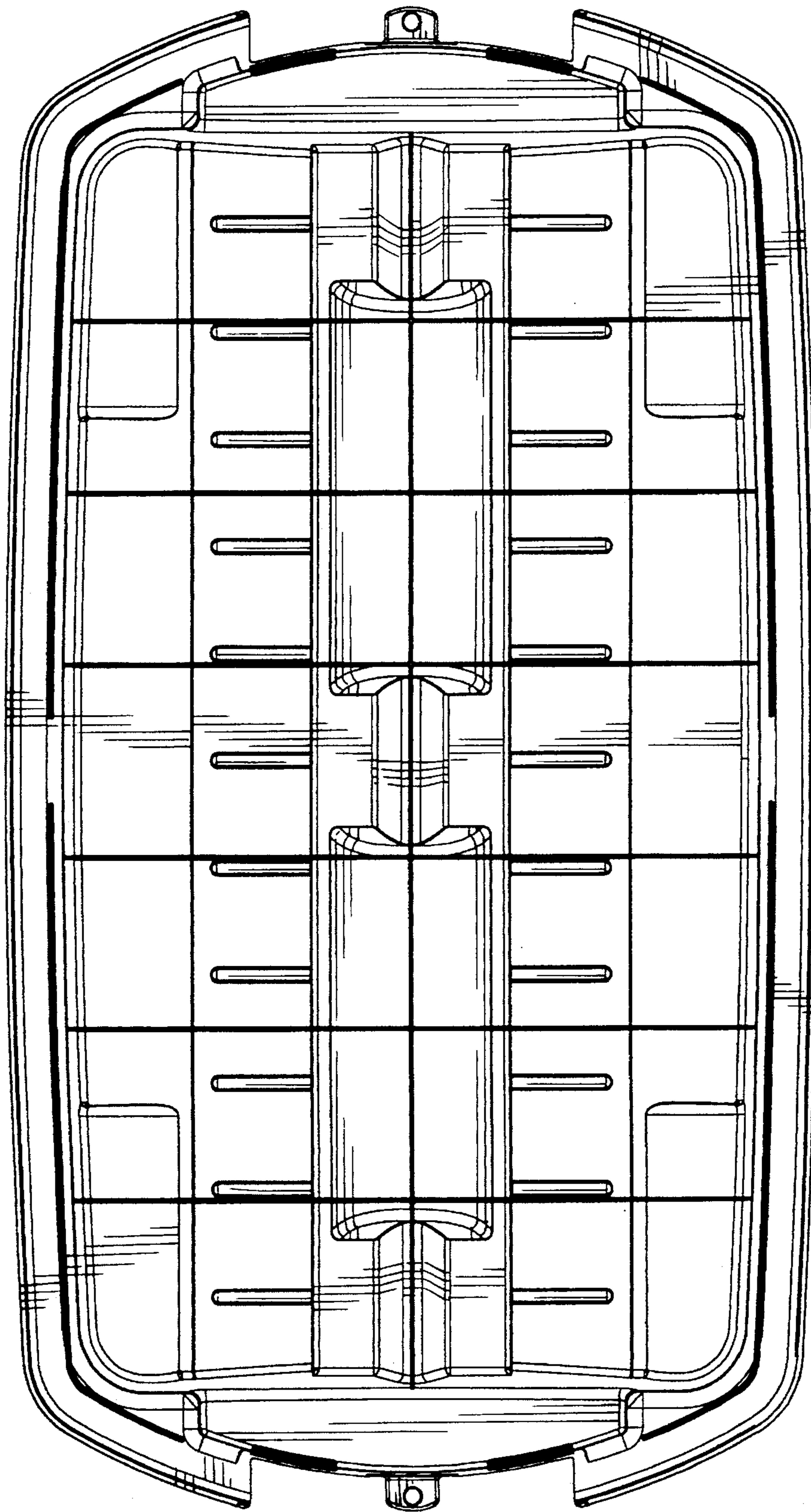


Fig-3

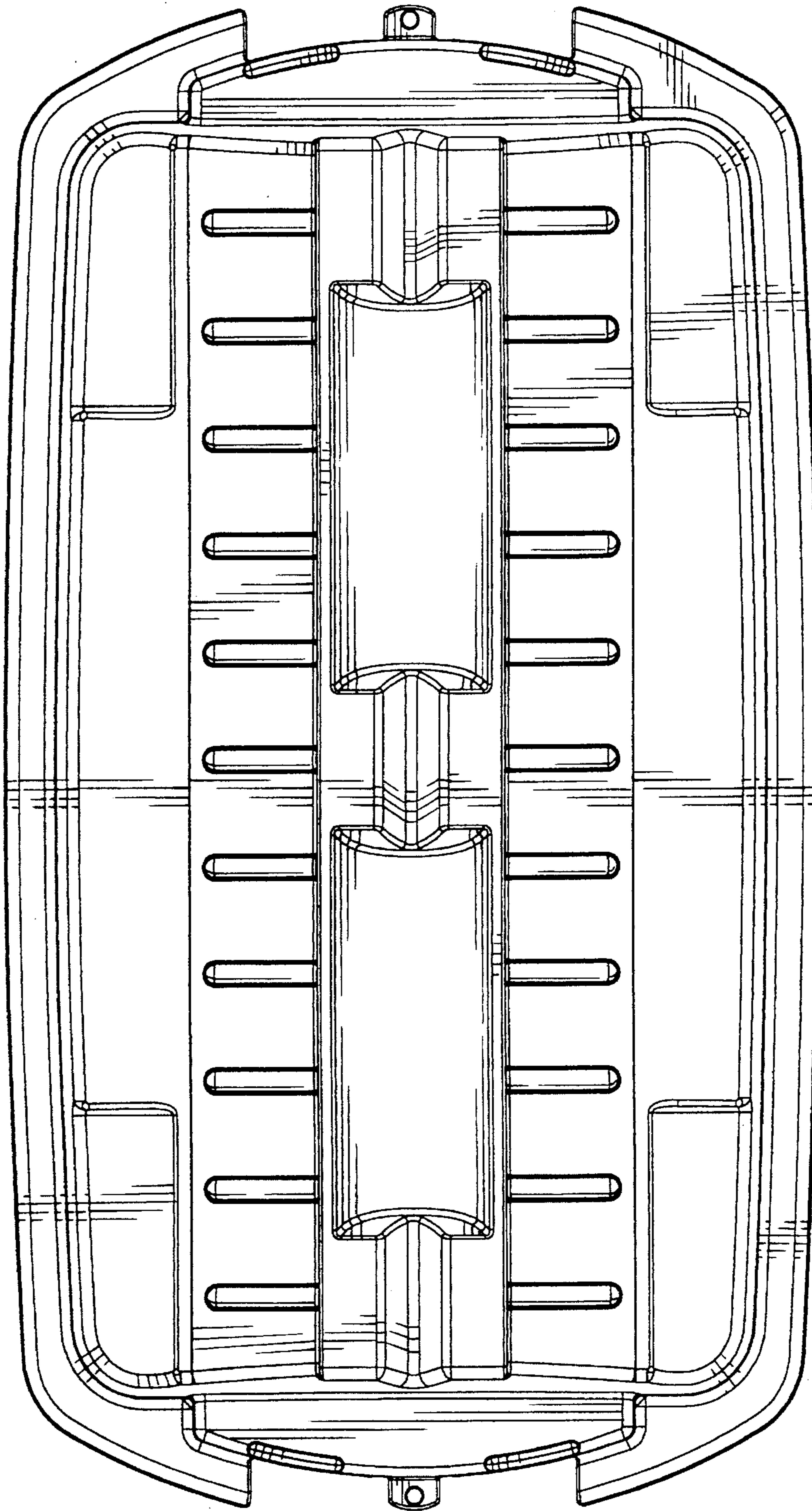


Fig-4

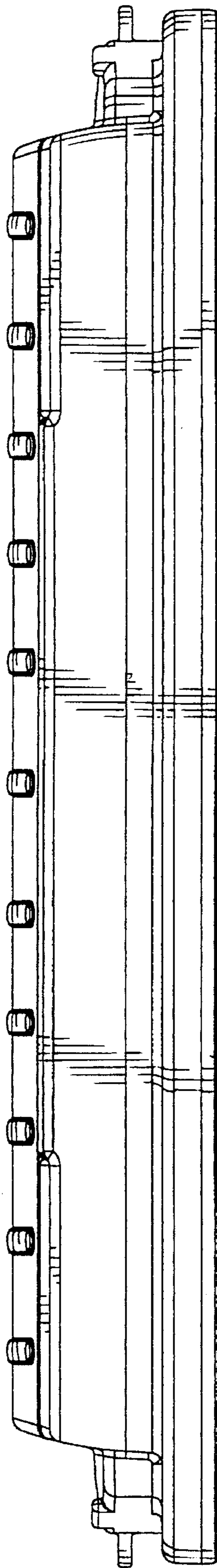


Fig-5