



US00D376251S

United States Patent [19]

Manderfeld

[11] Patent Number: **Des. 376,251**

[45] Date of Patent: ****Dec. 10, 1996**

[54] **EGG PATTY**

6-30734A 2/1994 Japan .

[75] Inventor: **Michelle M. Manderfeld**, Plymouth, Minn.

OTHER PUBLICATIONS

[73] Assignee: **Cargill, Incorporated**, Minneapolis, Minn.

Thos. Mills & Bro. 1952 p. 45 #570 Edible product.

Thos. Mills & Bro. 1924 p.201 #43 mold.

Bon Apétit, Dec. 1985 p. 151 Pound encircled chocolate on top of page.

[**] Term: **14 Years**

Primary Examiner—Susan J. Lucas

Assistant Examiner—Pamela Burgess

Attorney, Agent, or Firm—Fitch, Even, Tabin & Flannery

[21] Appl. No.: **42,378**

[22] Filed: **Aug. 9, 1995**

[52] U.S. Cl. **D1/130**; D24/101

[57] CLAIM

[58] **Field of Search** D1/128, 130, 127, D1/129; D24/100, 101; 426/104, 311, 47, 515, 282; D28/8.1; 424/464, 467

The ornamental design for a egg patty, as shown and described.

[56] References Cited

DESCRIPTION

U.S. PATENT DOCUMENTS

D. 269,718	7/1983	Tovey	D24/101
D. 269,722	7/1983	Tovey	D1/127 X
D. 269,723	7/1983	Tovey	D1/127 X
D. 274,846	7/1984	Eoga	D24/101
D. 291,740	9/1987	Spiel et al.	D1/106
787,887	4/1905	Baker	D1/127 X
2,987,445	6/1961	Levesque	D24/101 X
3,851,571	12/1974	Nichols	99/450.6
3,941,892	3/1976	Glasser et al.	426/104
4,426,400	1/1984	Newlin et al.	426/282
4,822,628	4/1989	Huc	426/274

FIG. 1 is a perspective view of a egg patty embodying my new design;

FIG. 2 is an elevational view thereof;

FIG. 3 is an elevational view thereof rotated clockwise 90 degrees from the view of FIG. 2;

FIG. 4 is a plan view thereof;

FIG. 5 is a bottom view thereof;

FIG. 6 is an elevational view thereof rotated clockwise 90 degrees from the view of FIG. 3; and,

FIG. 7 is an elevational view thereof rotated clockwise 90 degrees from the view of FIG. 6.

FOREIGN PATENT DOCUMENTS

0744312 6/1970 Belgium .

1 Claim, 2 Drawing Sheets

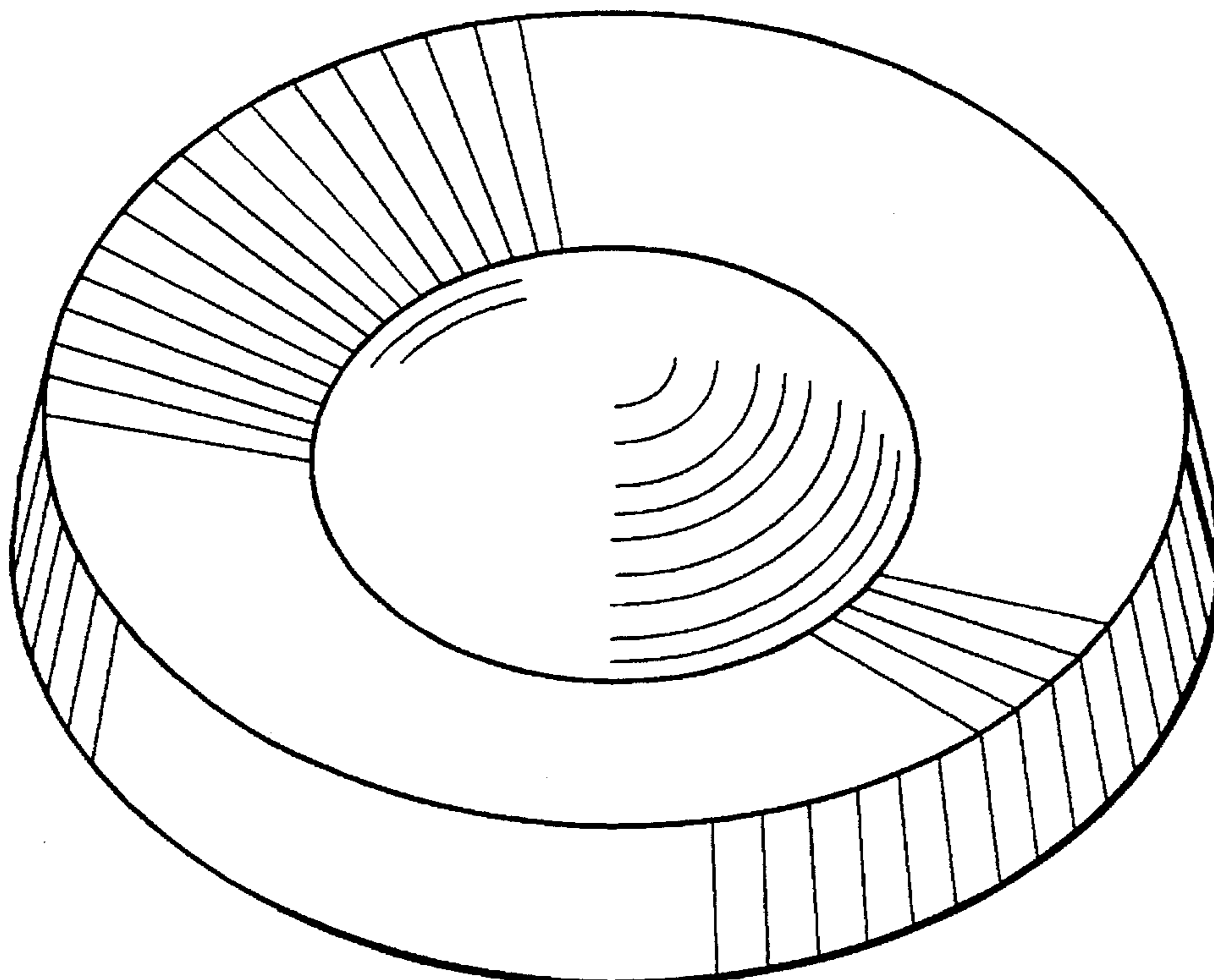


Fig. 1

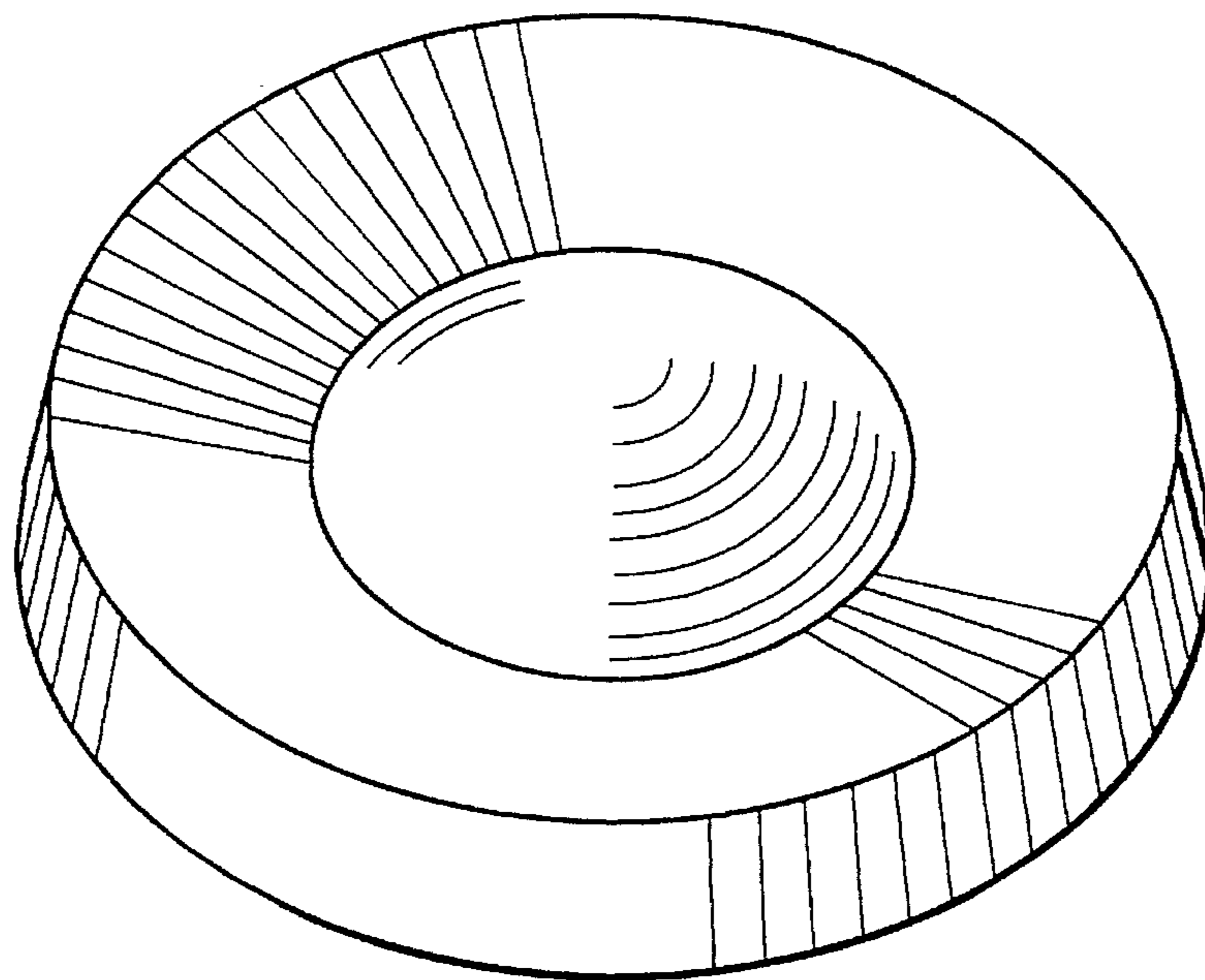


Fig. 2

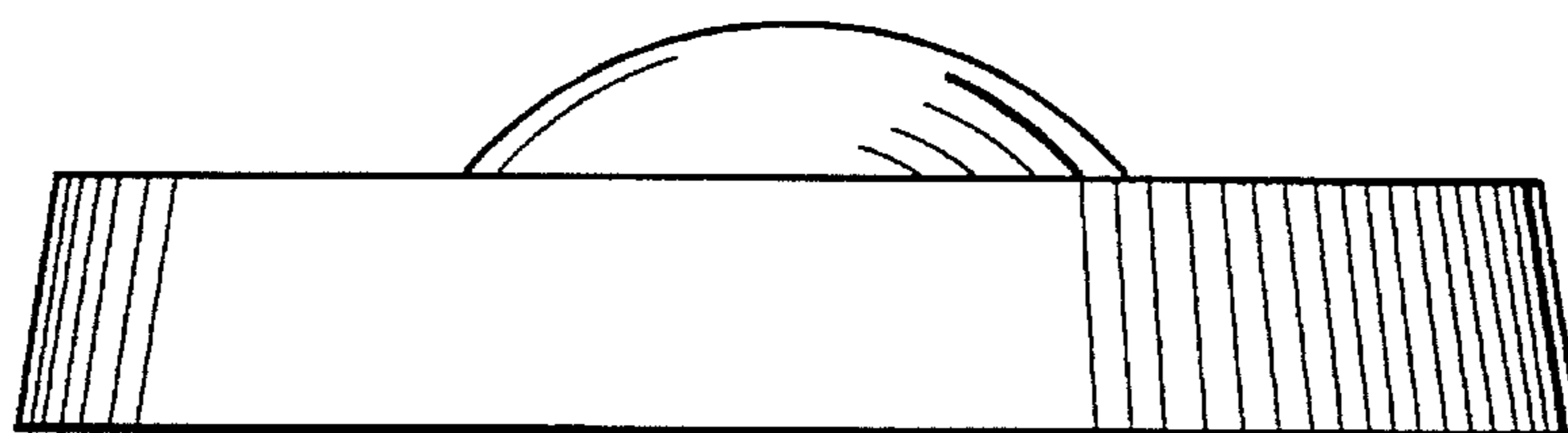


Fig. 3

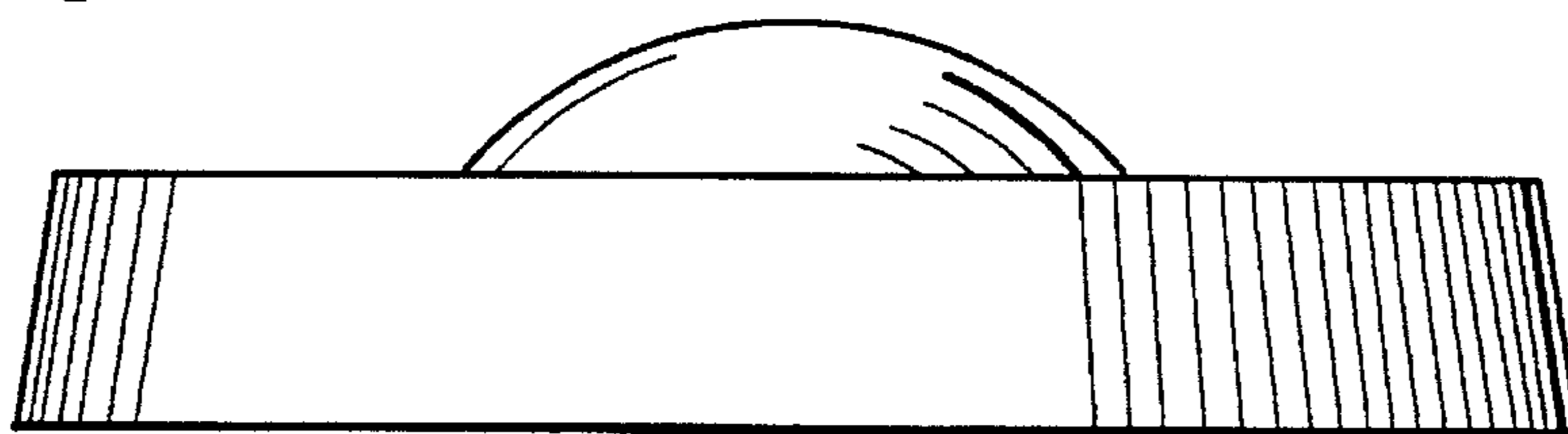


Fig. 4

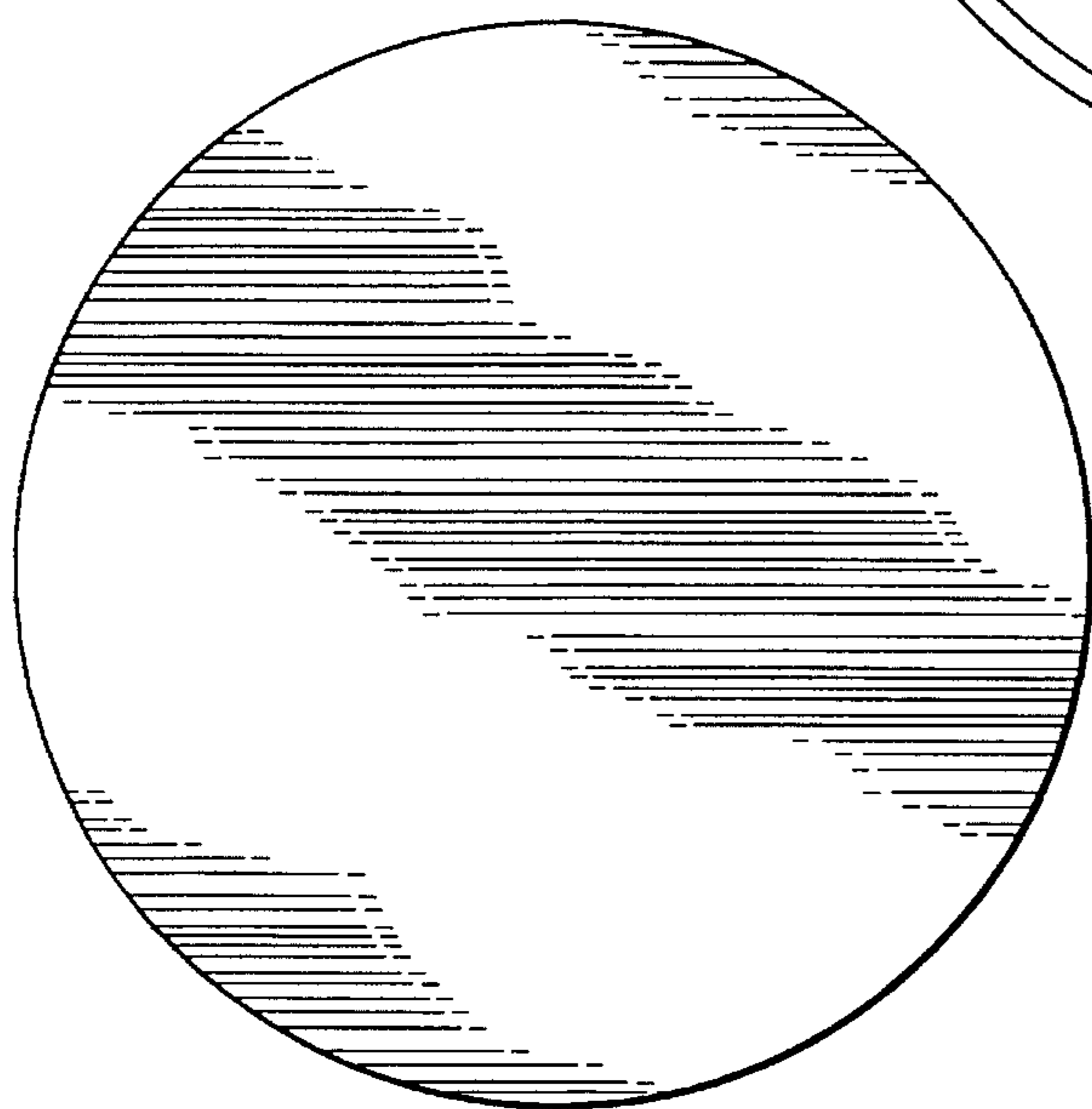
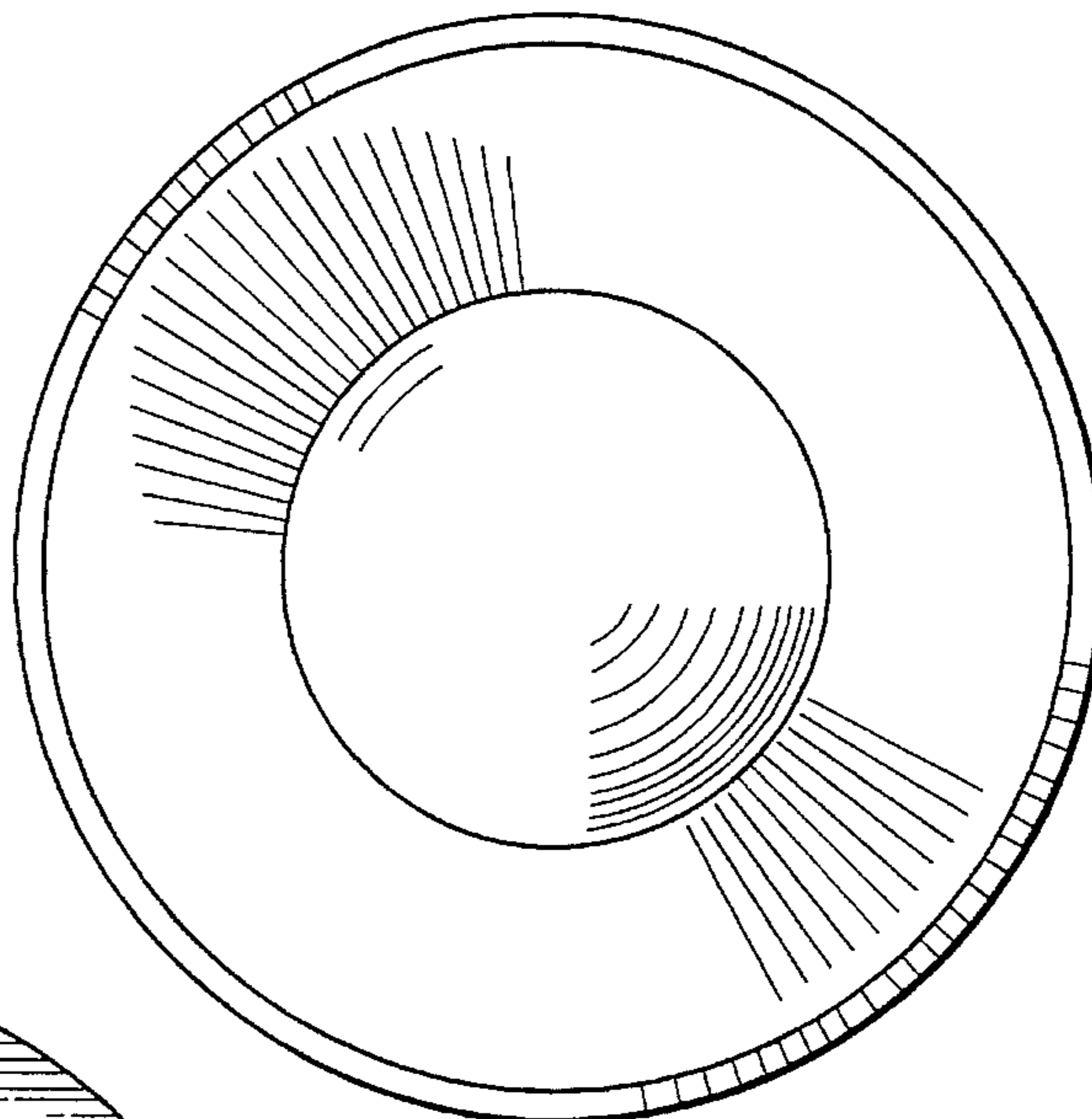


Fig. 5

Fig. 6

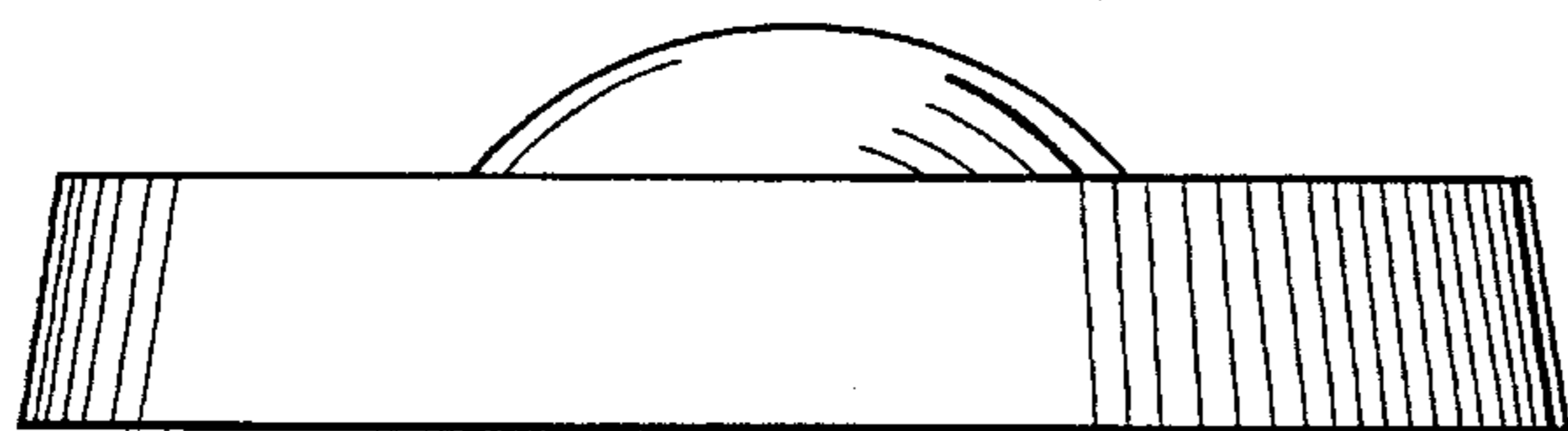
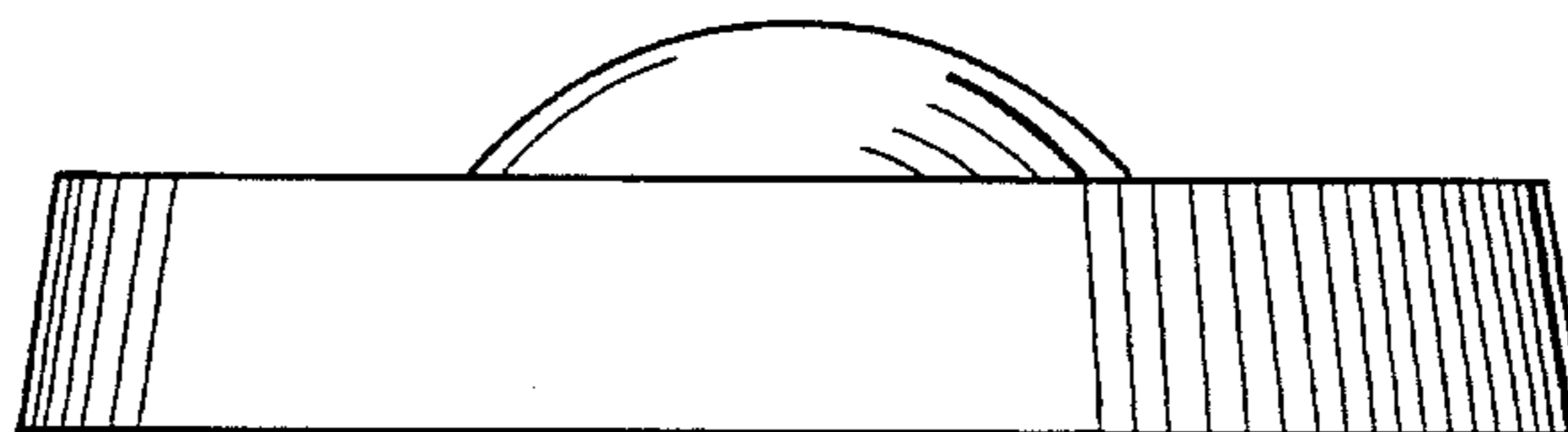


Fig. 7