



US00D376249S

# United States Patent [19]

Bunch et al.

[11] Patent Number: **Des. 376,249**

[45] Date of Patent: **\*\*Dec. 3, 1996**

[54] MAILBOX

4,756,472 7/1988 Hammons ..... 232/35  
5,449,111 9/1995 Sauzedde et al. .... 232/43.4 X

[76] Inventors: **Frank Bunch; Marjorie Bunch; Diana Bunch**, all of 2506 Country Club Blvd., Cape Coral, Fla. 33904

### OTHER PUBLICATIONS

Steel City Corp. Ad, 2 Door Safety Mailbox, Aug. 15, 1995.

[\*\*] Term: **14 Years**

*Primary Examiner*—B. J. Bullock

*Assistant Examiner*—S. Snapp

[21] Appl. No.: **47,372**

*Attorney, Agent, or Firm*—Harold H. Dutton, Jr.; Diane S. Liebman; W. Charles L. Jamison

[22] Filed: **Dec. 1, 1995**

[52] U.S. Cl. .... **D99/29**

[57] **CLAIM**

[58] Field of Search ..... D99/29, 30, 31;  
232/1 C, 17, 19, 25, 26, 27, 28, 34, 35,  
37, 38, 39, 43.1, 43.4, 43.5, 43.2, 43.3

The ornamental design for a mailbox, as shown and described.

### DESCRIPTION

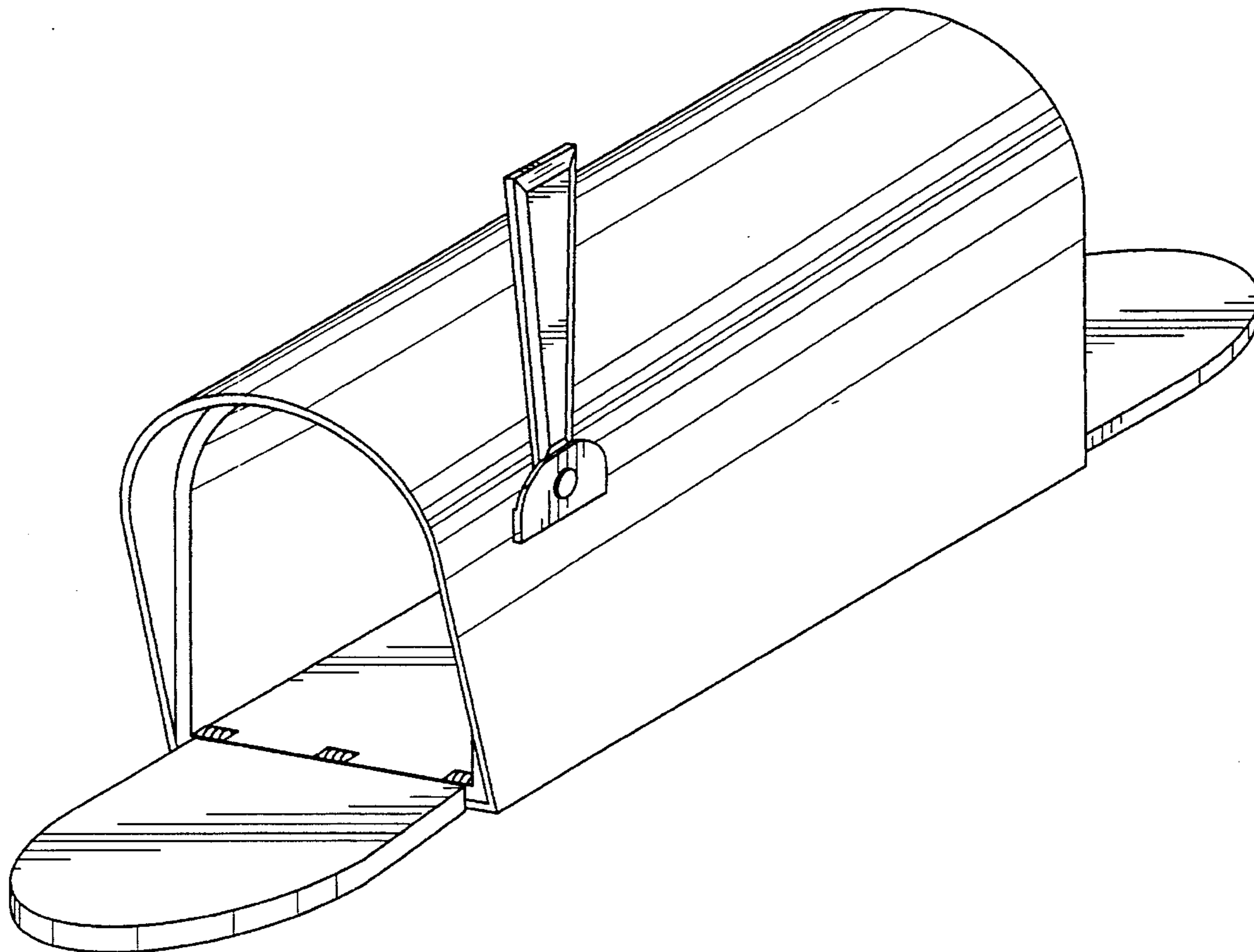
[56] **References Cited**

FIG. 1 shows the mailbox with the doors in open positions. FIGS. 2-7 are at a reduced scale and show the mailbox with the doors in closed position.

#### U.S. PATENT DOCUMENTS

3,891,139 6/1975 Redling ..... D99/32 X  
4,005,816 2/1977 Malik ..... 232/35  
4,220,278 9/1980 Hasselbring ..... 232/17 X

**1 Claim, 4 Drawing Sheets**



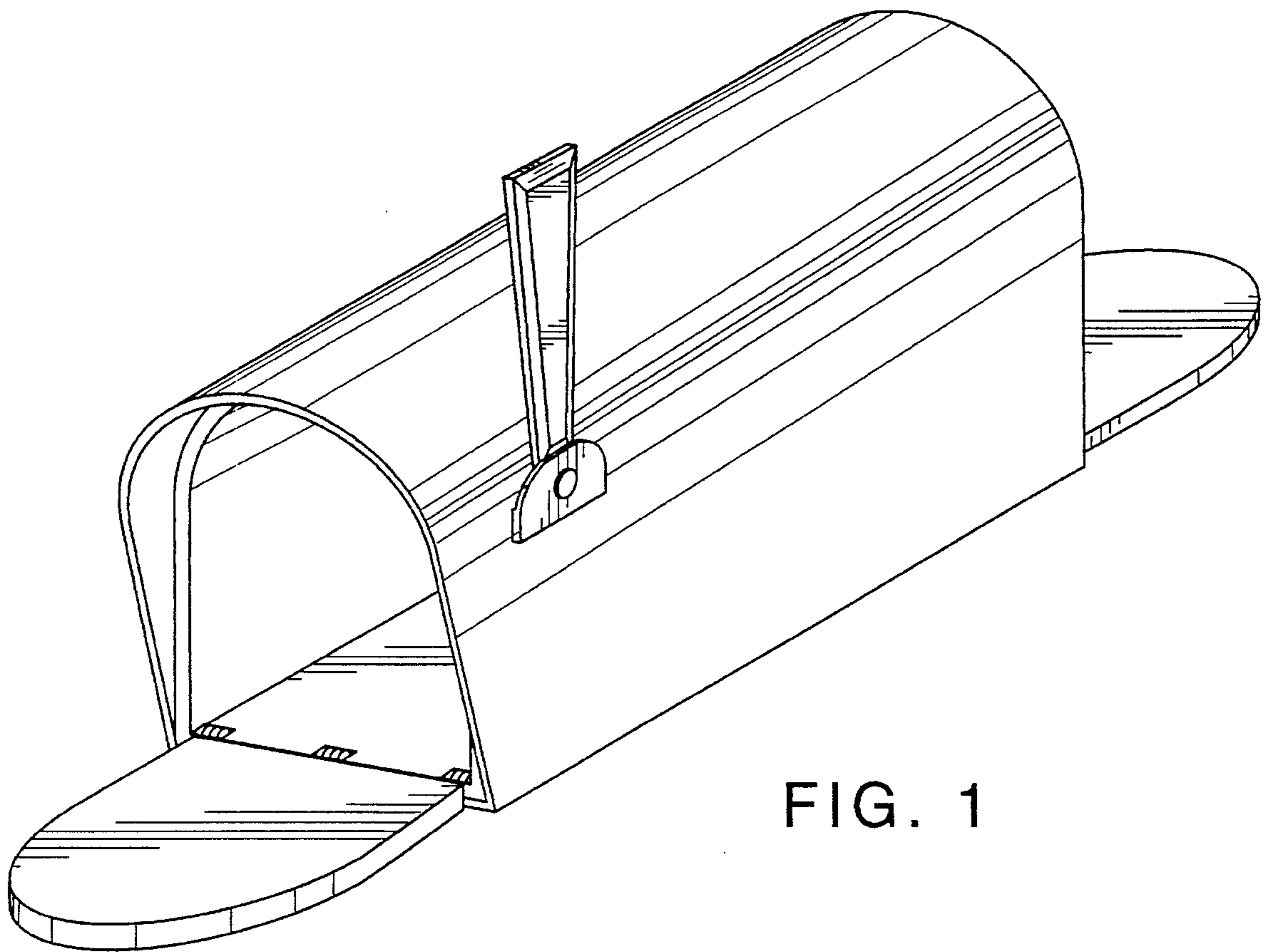


FIG. 1

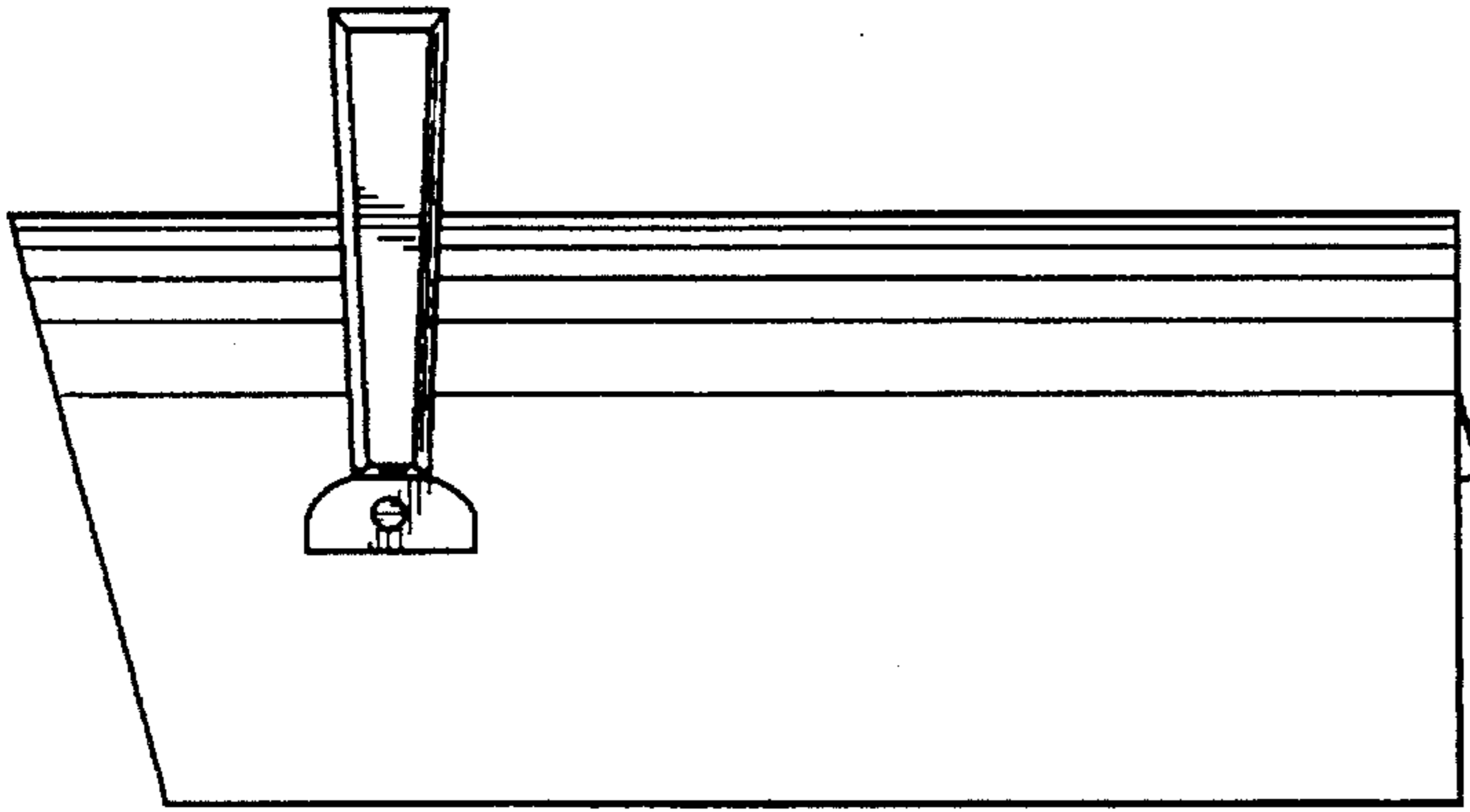


FIG. 2

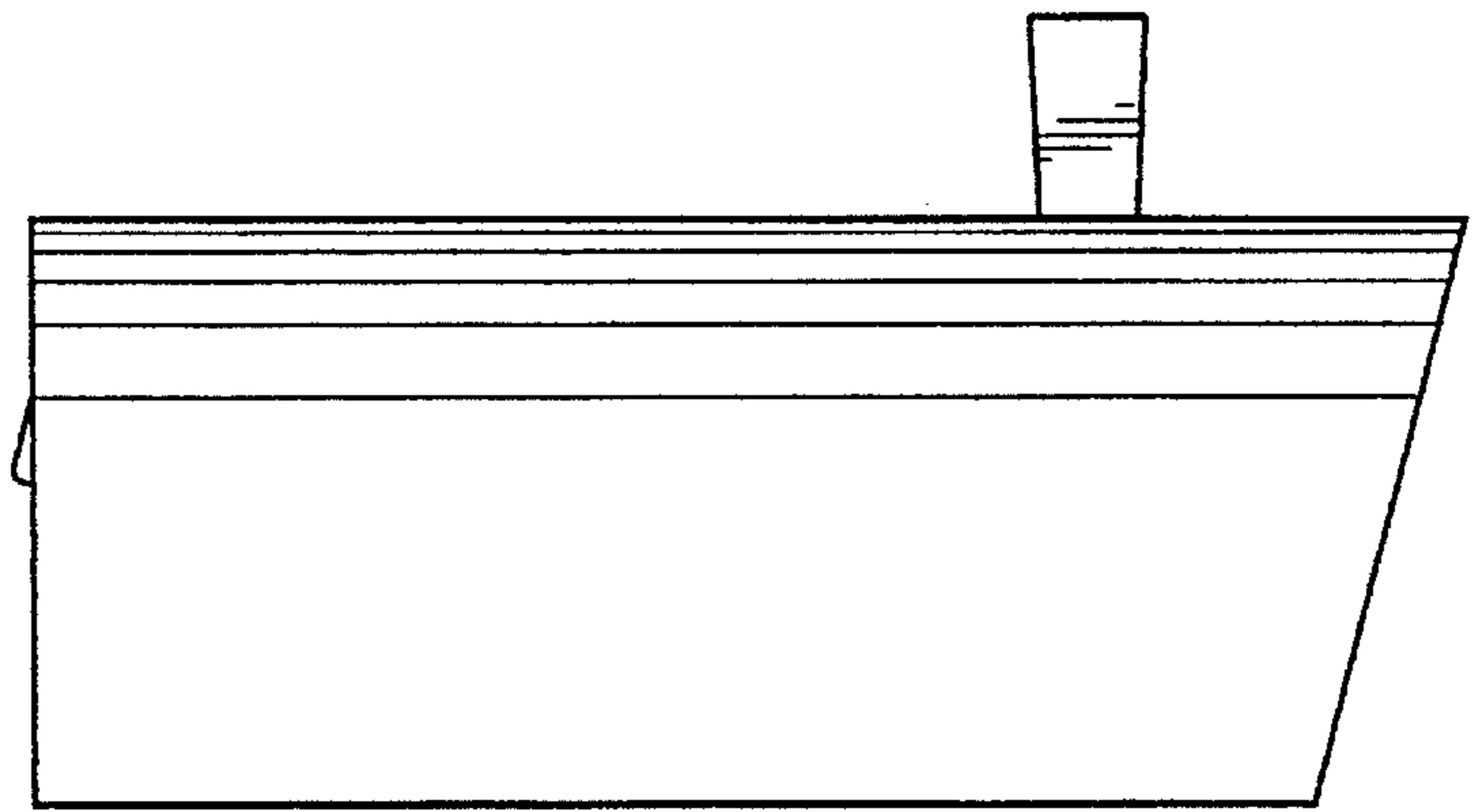


FIG. 3

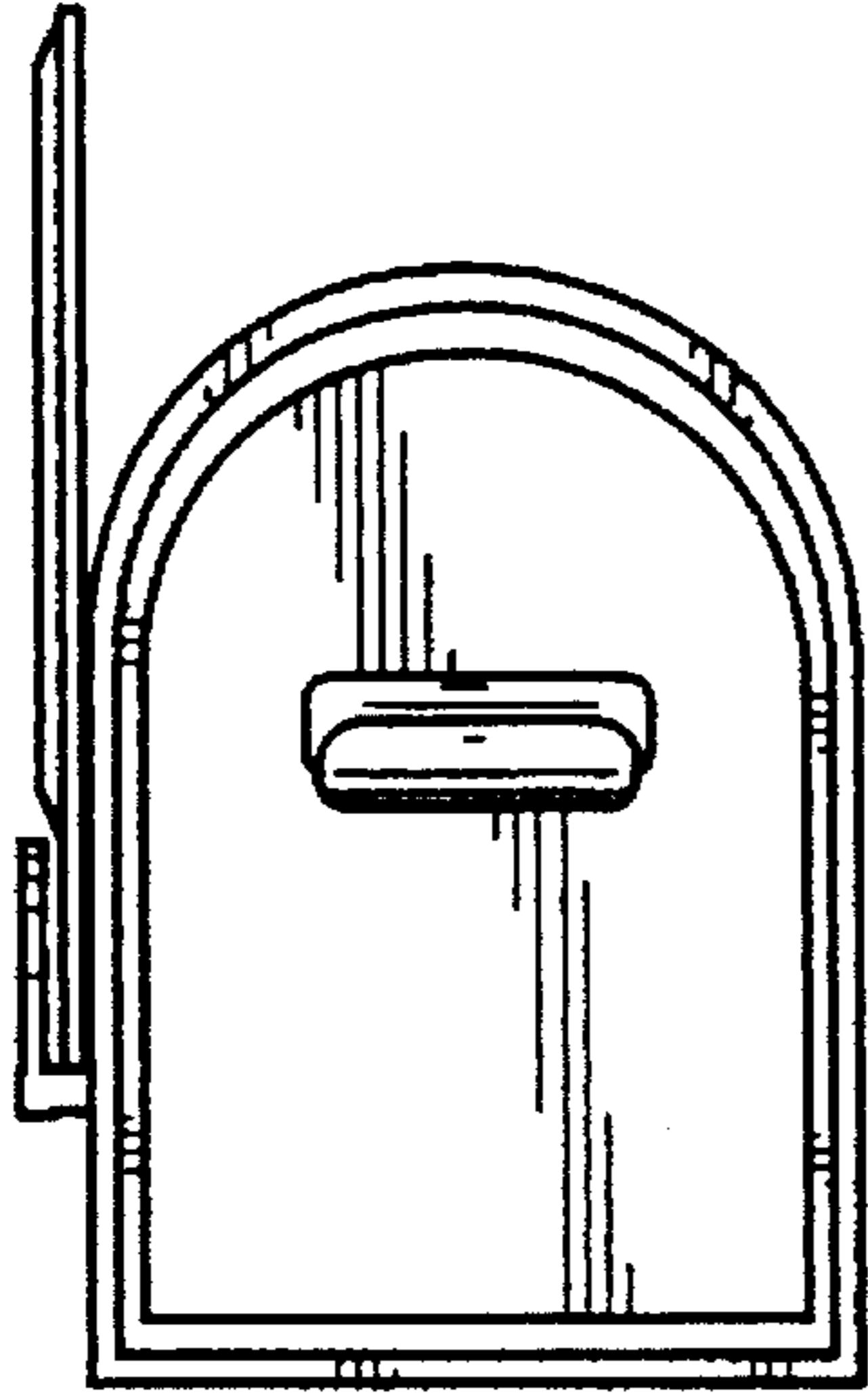


FIG. 4

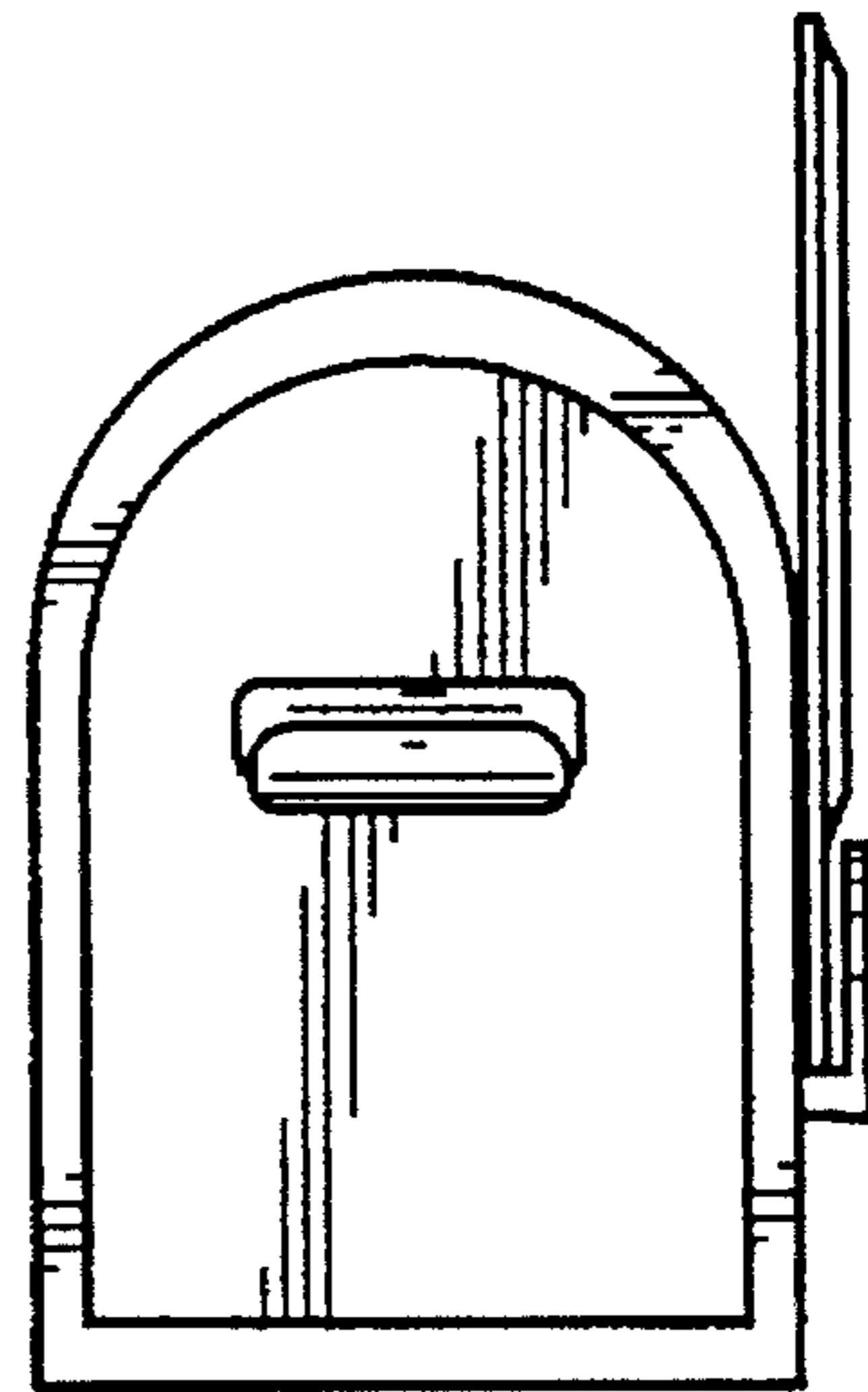


FIG. 5

FIG. 6

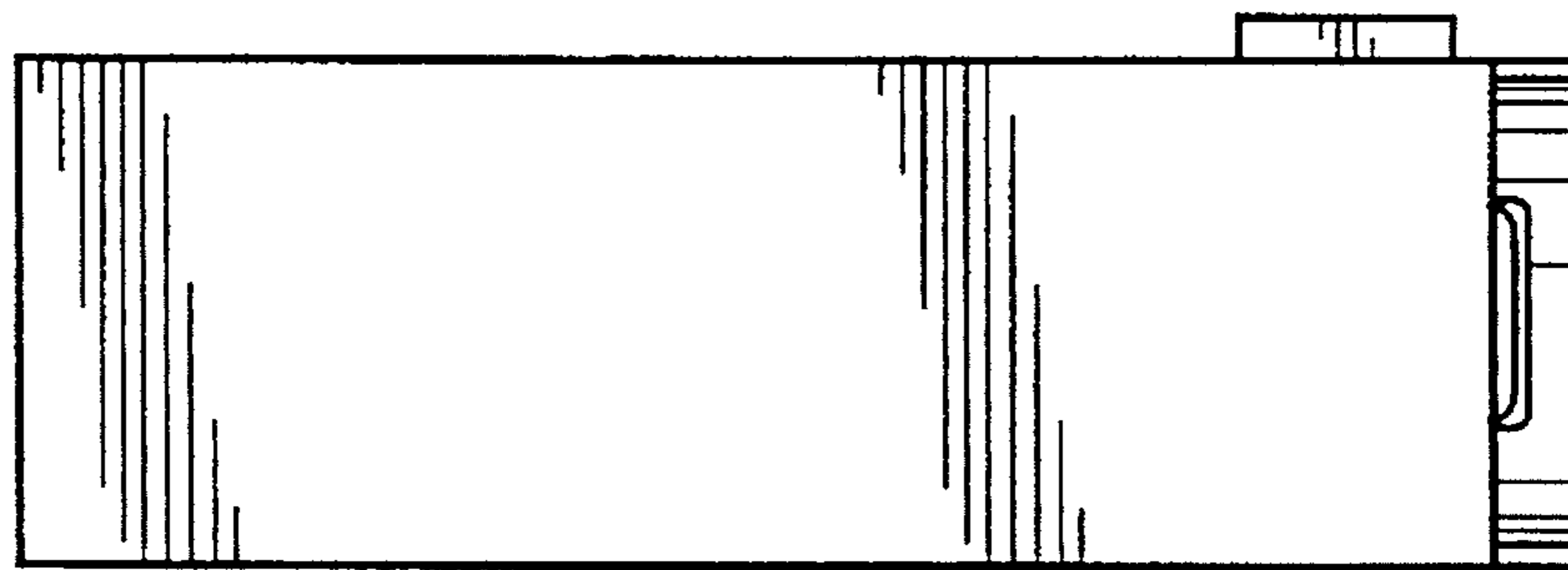
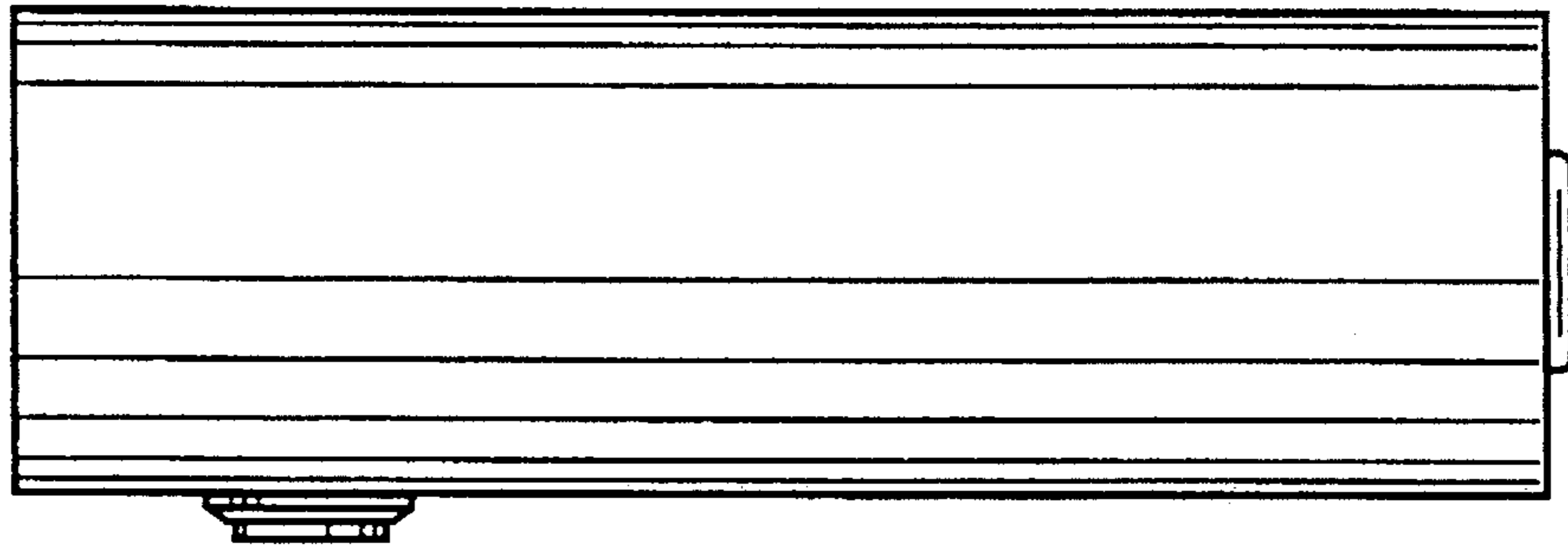


FIG. 7