



US00D376246S

# United States Patent [19]

[11] Patent Number: **Des. 376,246**

Sugawara et al.

[45] Date of Patent: **\*\*Dec. 3, 1996**

[54] **BANKNOTE DISPENSING CASSETTE USED FOR A CASH-HANDLING MACHINE**

Catalogue, "Currency Dispensing System", Korden, Inc. Prior Art—publication date unknown, admitted prior art.

[75] Inventors: **Koki Sugawara; Masaaki Iwamoto; Yoshinori Koshida**, all of Tokyo, Japan

*Primary Examiner*—B. J. Bullock  
*Assistant Examiner*—Robert M. Spear  
*Attorney, Agent, or Firm*—Wenderoth, Lind & Ponack

[73] Assignee: **Oki Electric Industry Co., Ltd.**, Tokyo, Japan

[57] **CLAIM**

[\*\*] Term: **14 Years**

The ornamental design for a banknote dispensing cassette used for a cash-handling machine, as shown and described.

[21] Appl. No.: **27,600**

**DESCRIPTION**

[22] Filed: **Aug. 25, 1994**

FIG. 1 is a top, front, right side perspective view of a banknote dispensing cassette used for a cash-handling machine showing our new design;

[30] **Foreign Application Priority Data**

May 12, 1994 [JP] Japan ..... 6-13187

FIG. 2 is a front elevational view thereof;

[52] U.S. Cl. .... **D99/28**

FIG. 3 is a rear elevational view thereof;

[58] Field of Search ..... D99/28, 34, 35;  
D18/3, 46, 99; 186/37; 235/7 R, 31 R,  
89 R; 271/278

FIG. 4 is a top plan view thereof;

FIG. 5 is a bottom plan view thereof;

FIG. 6 is a left side elevational view thereof;

FIG. 7 is a right side elevational view thereof;

FIG. 8 is a bottom right side perspective view thereof, shown at a reduced scale and in a position of use;

[56] **References Cited**

**U.S. PATENT DOCUMENTS**

- D. 279,790 7/1985 Kajita ..... D18/3
- D. 328,399 8/1992 McGrory et al. .... D99/28
- D. 349,128 7/1994 Akioka et al. .... D18/46
- D. 354,839 1/1995 Baudin ..... D99/99

FIG. 9 is a partial front end perspective view of the design of FIG. 1 showing an alternate position of use;

FIG. 10 is a top front right perspective view of the design of FIG. 1, shown at a reduced scale;

FIG. 11 is a bottom front left perspective view of the design of FIG. 1, shown at a reduced scale and in an open condition for ease of illustration;

FIG. 12 is a top front left perspective view thereof, shown in and open condition for ease of illustration; and,

FIG. 13 is a top front left perspective view thereof, shown at a reduced scale within its in-use environment.

The broken line disclosures in FIGS. 8-13 are for illustration of environment only and form no part of the claimed design.

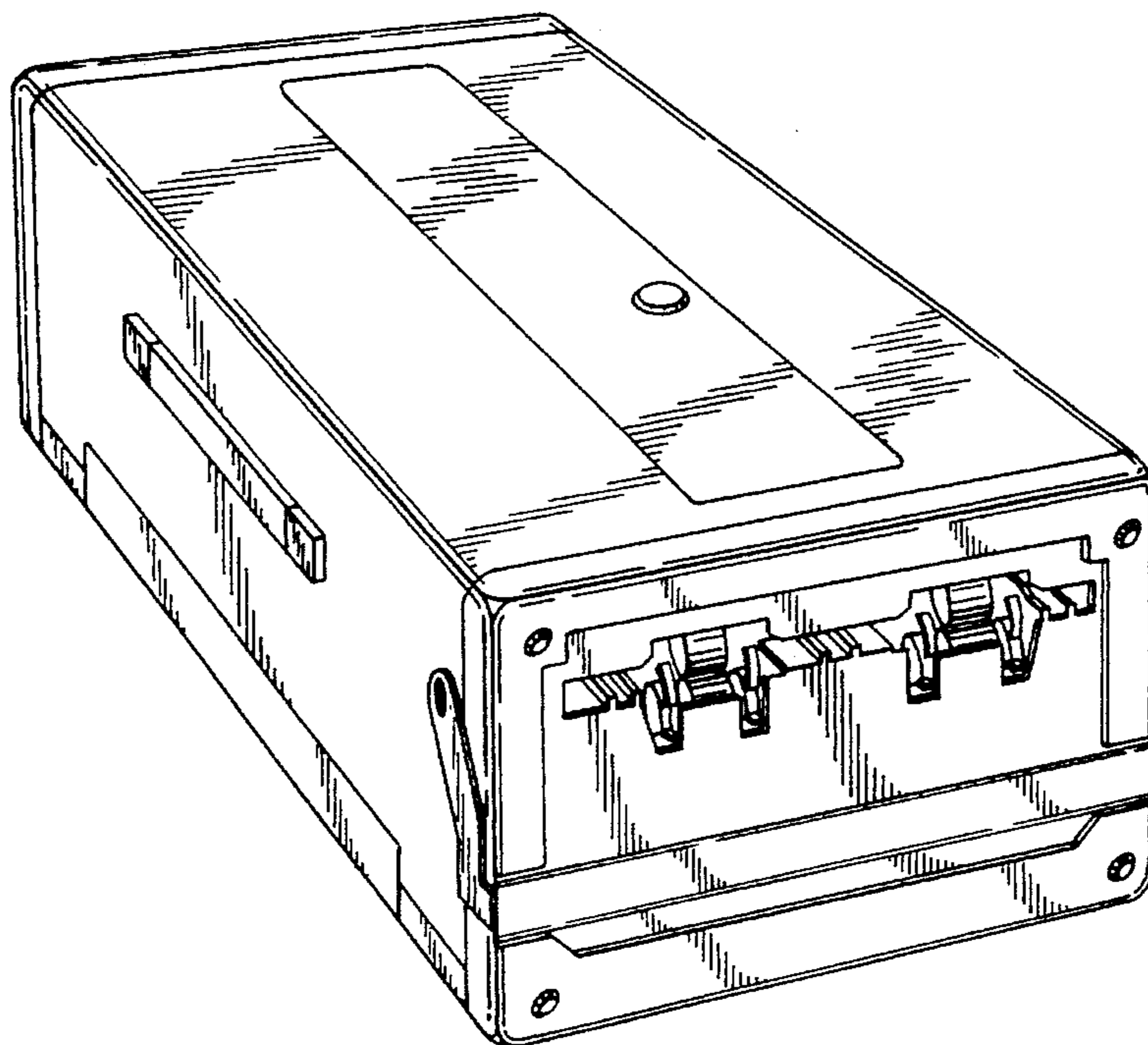
**OTHER PUBLICATIONS**

Catalogue, "D224 Compact Cash Dispenser", Dassault Automatismes ET Telecommunications. Prior Art—publication date unknown, admitted prior art.

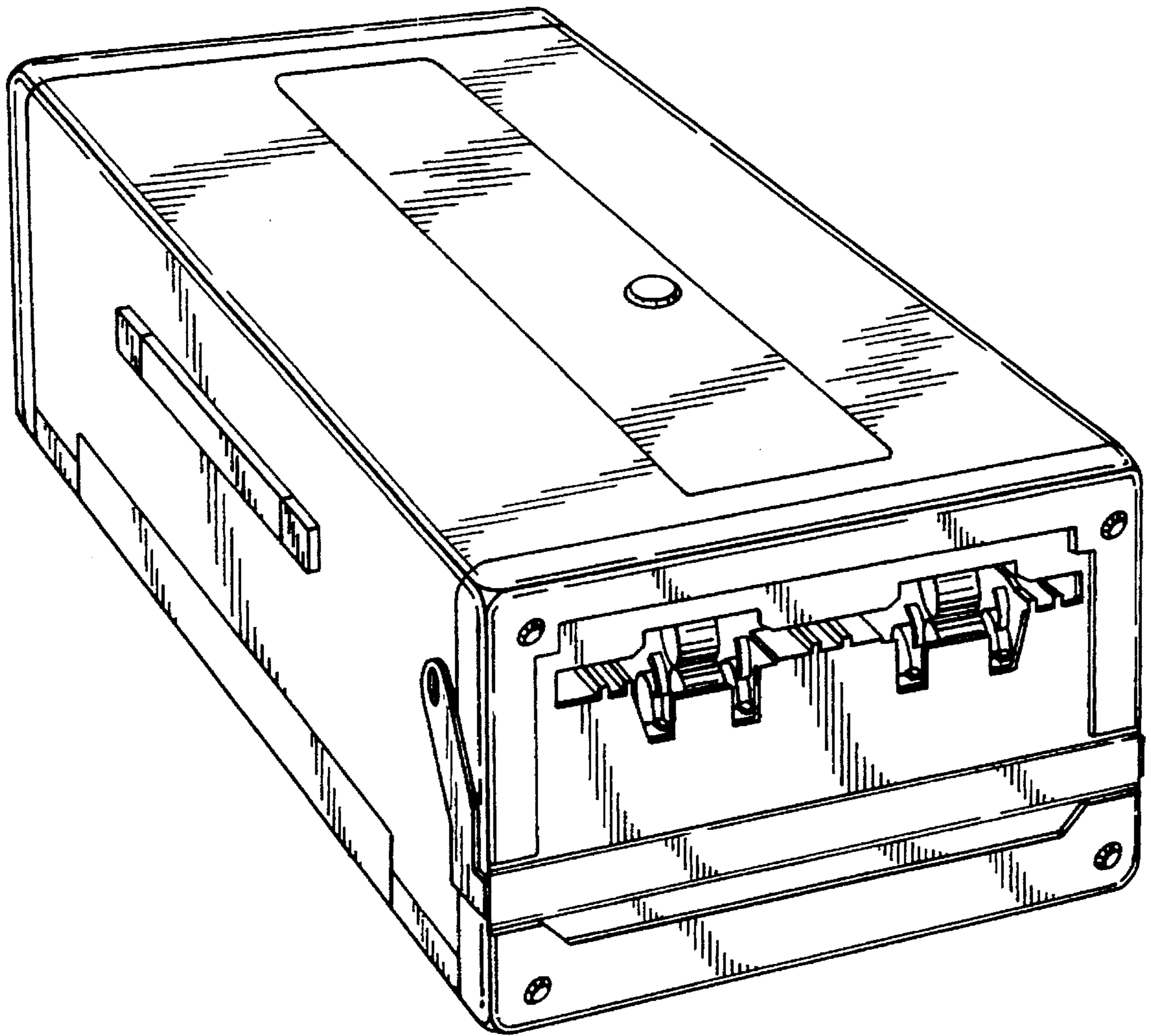
Catalogue, "Teller Cash", Frisco Bay. Prior Art—publication date unknown, admitted prior art.

Catalogue, "Teller Cash Jr.", Frisco Bay. Prior Art—publication date unknown, admitted prior art.

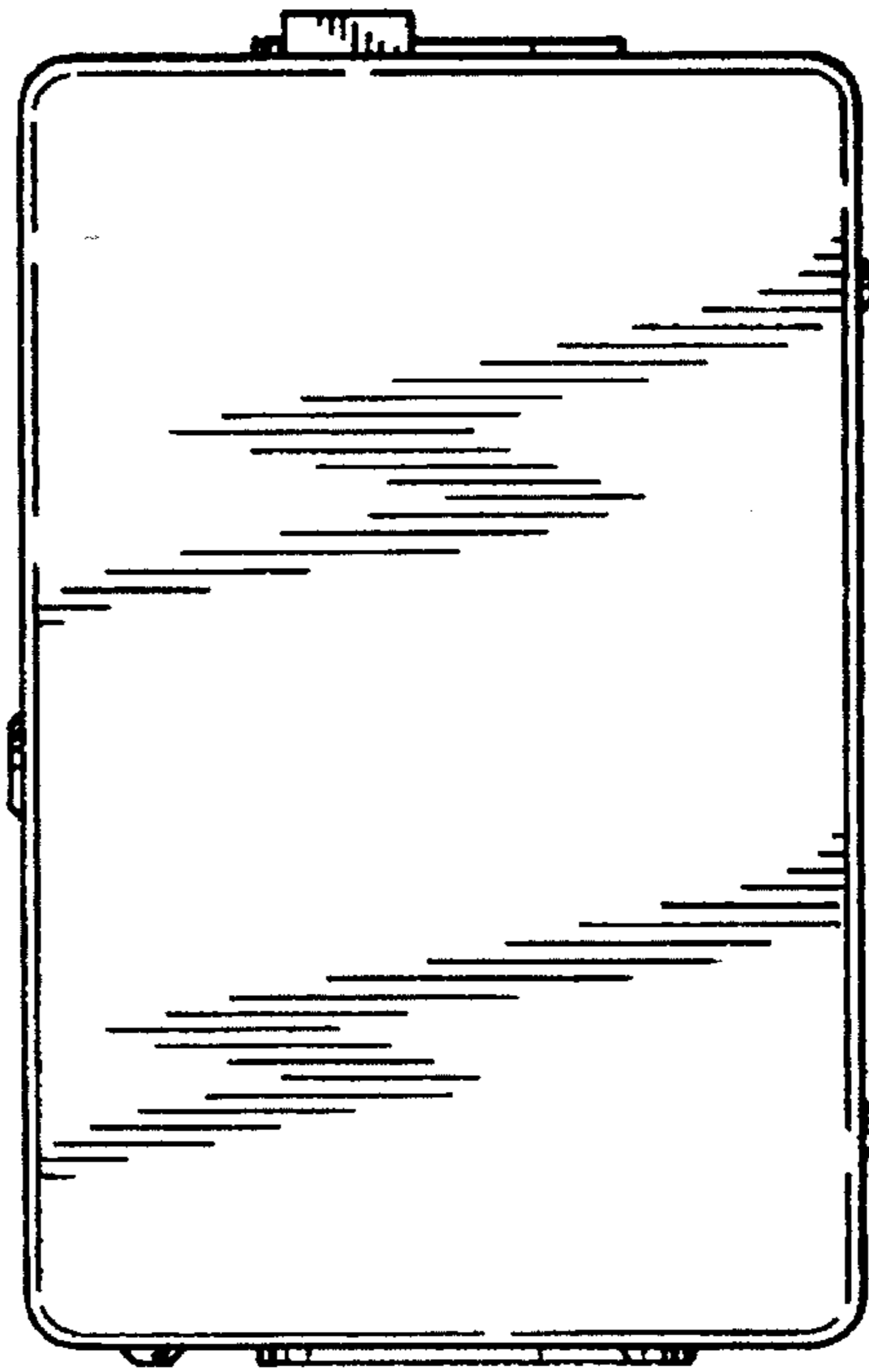
**1 Claim, 11 Drawing Sheets**



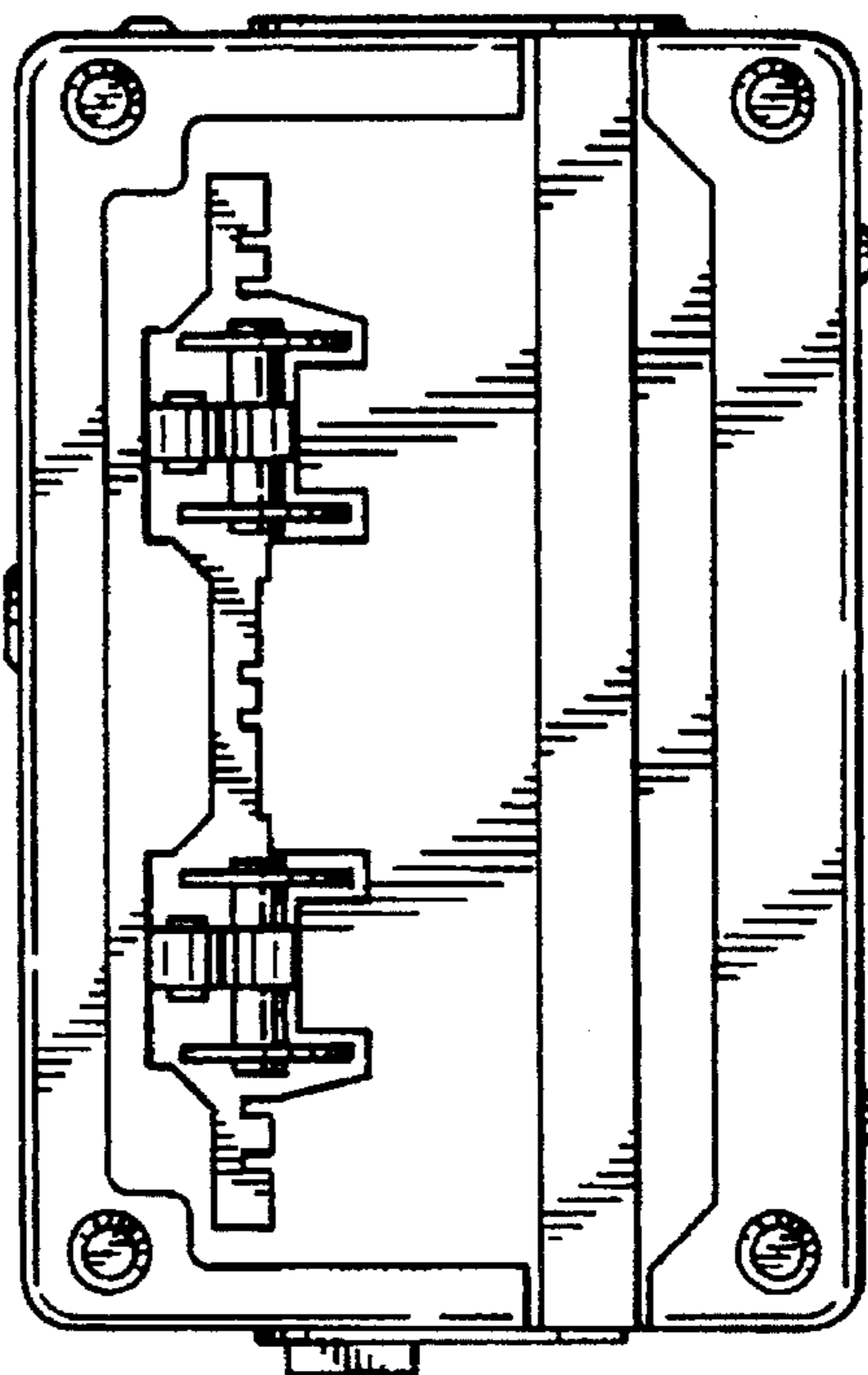
**FIG. 1**



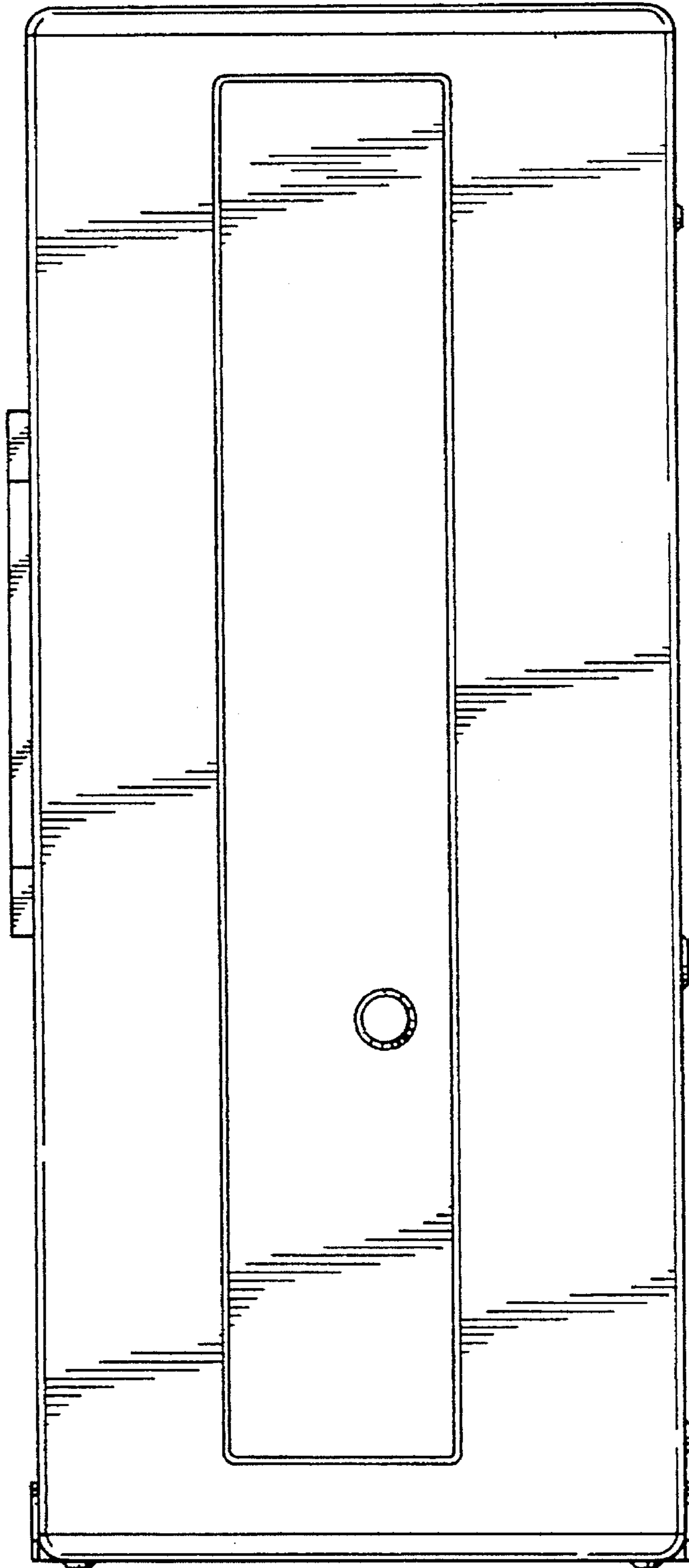
**FIG. 3**



**FIG. 2**

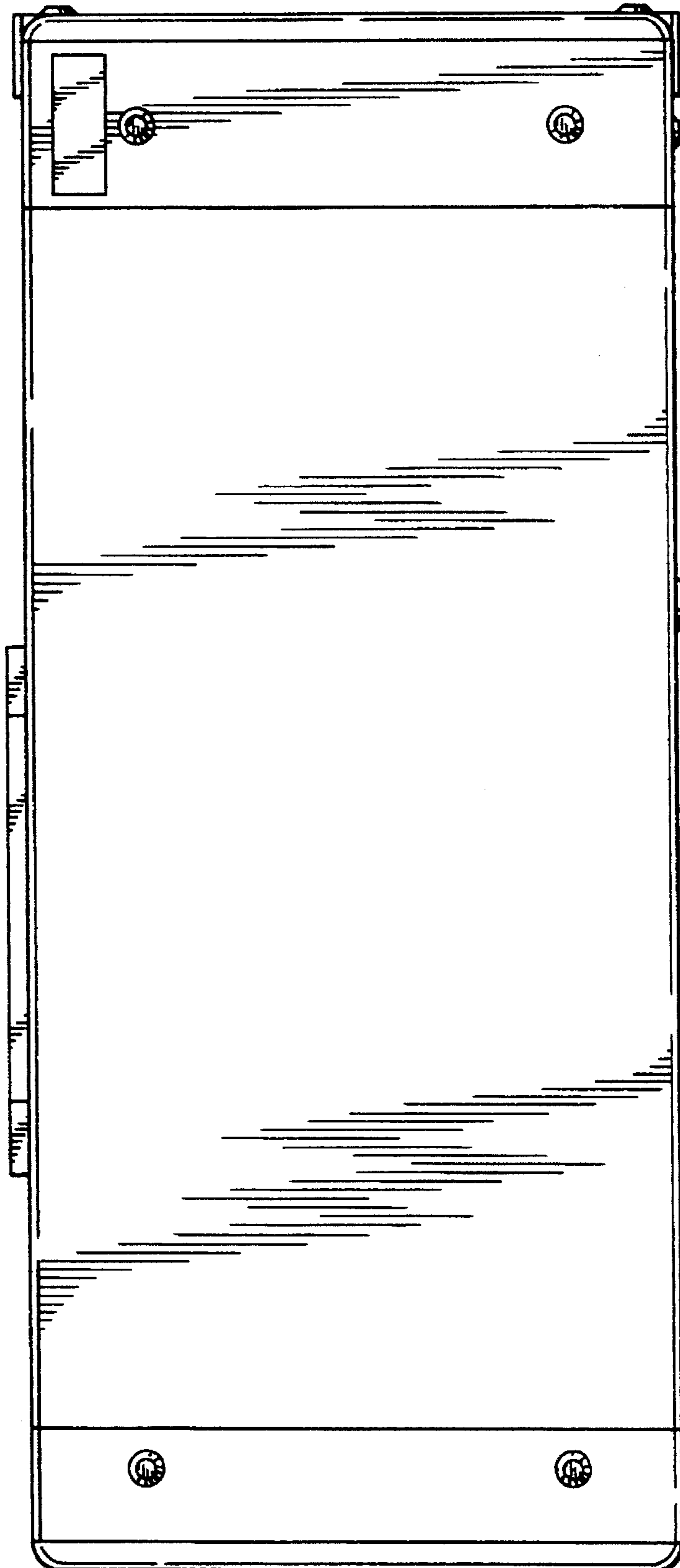


**FIG. 4**

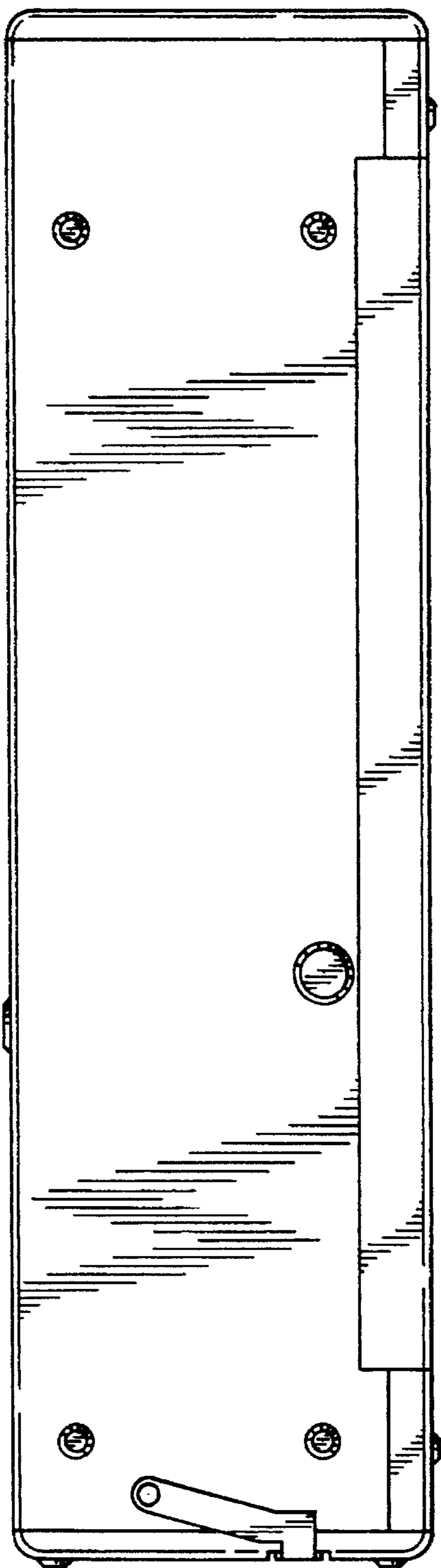




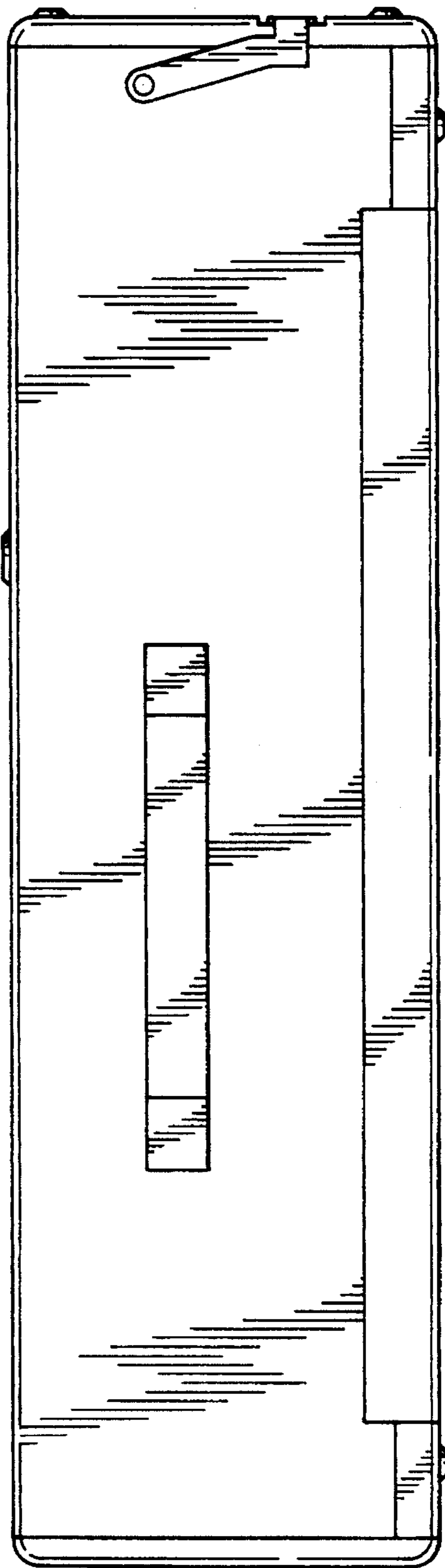
**FIG. 5**



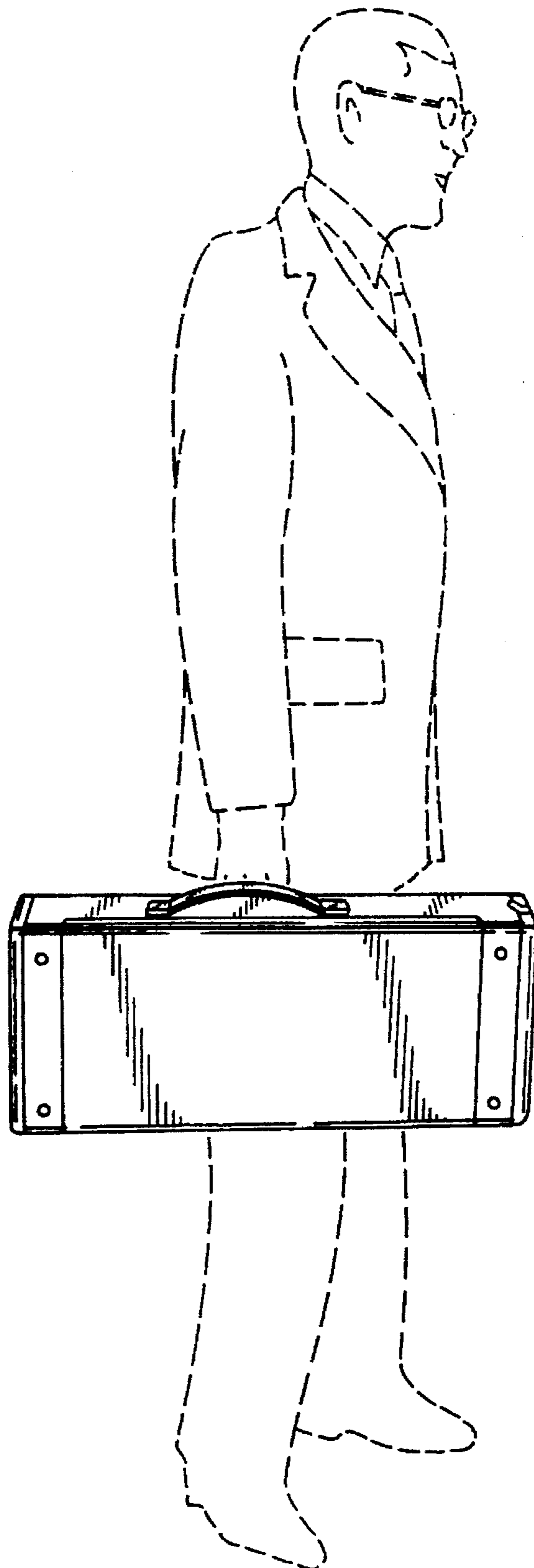
**FIG. 6**



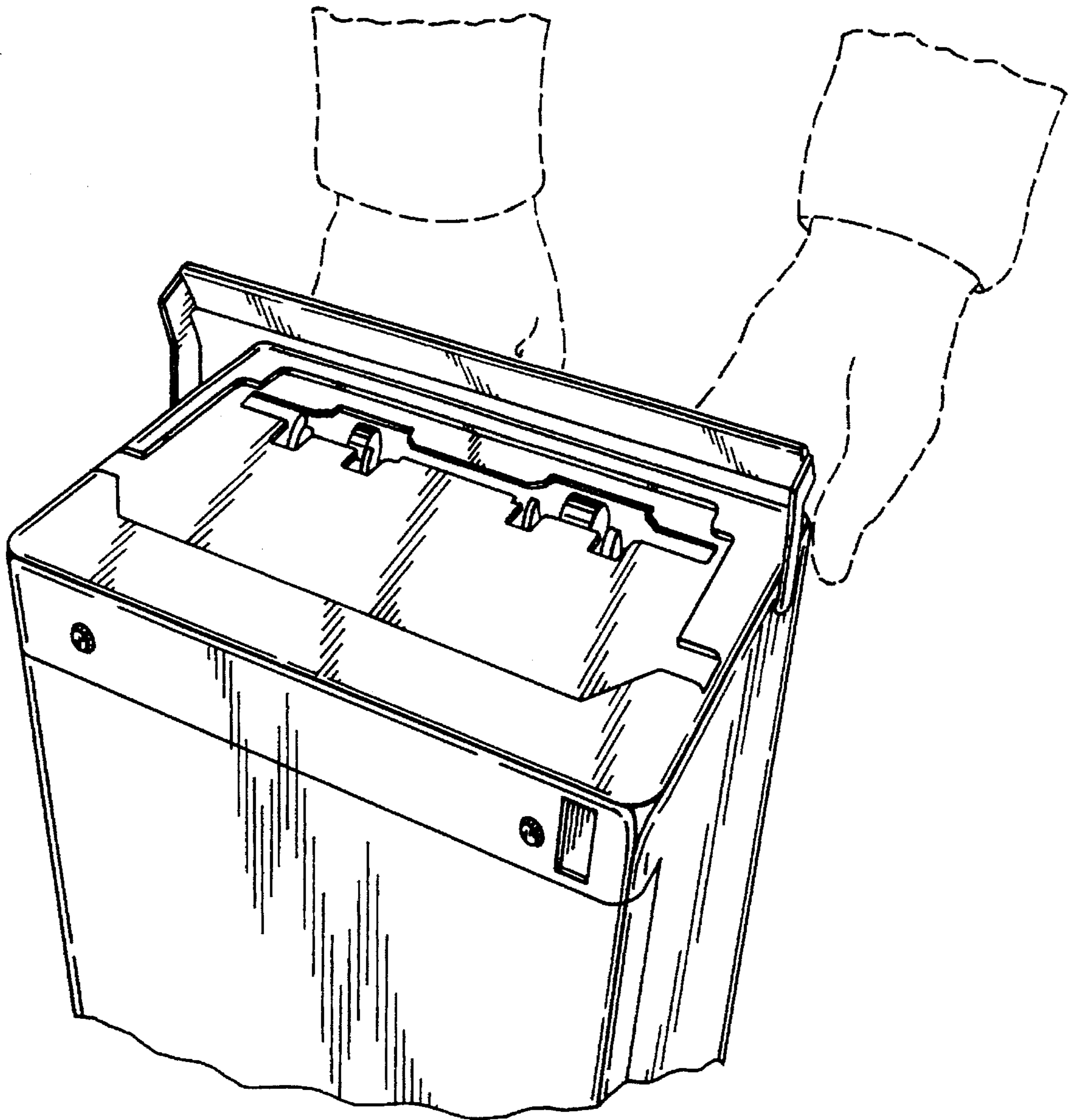
**FIG. 7**



**FIG. 8**



**FIG. 9**





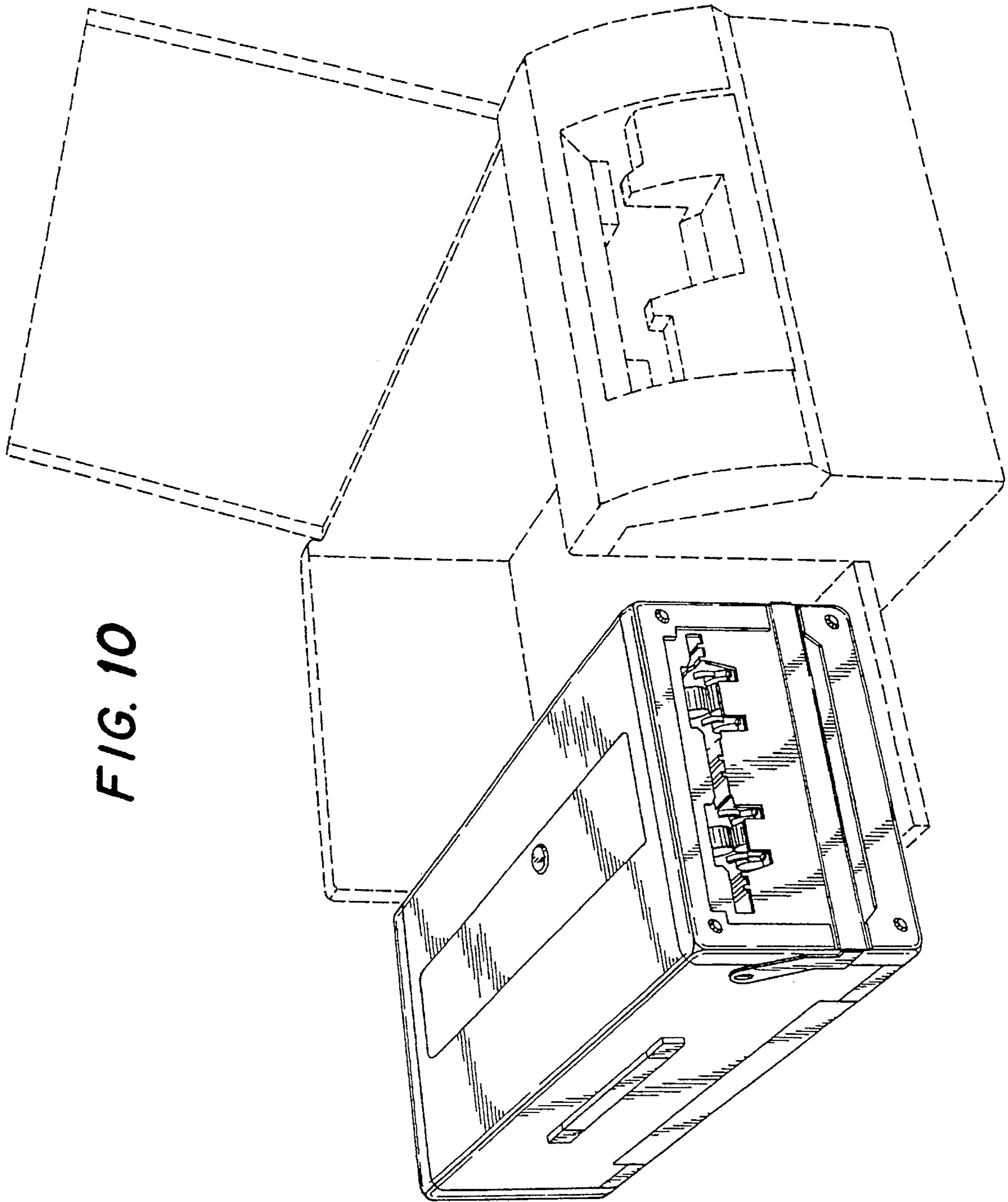


FIG. 10

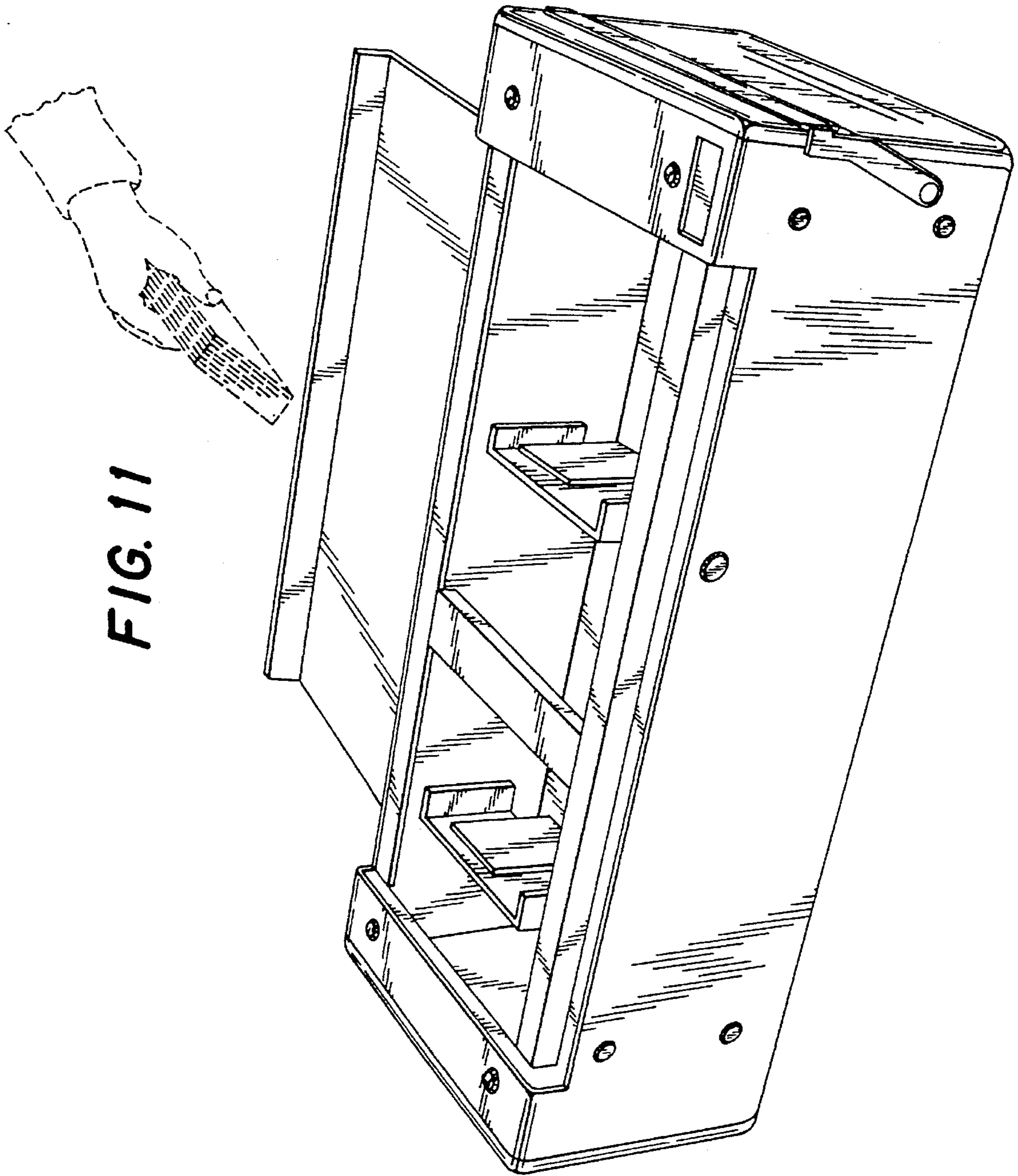


FIG. 11

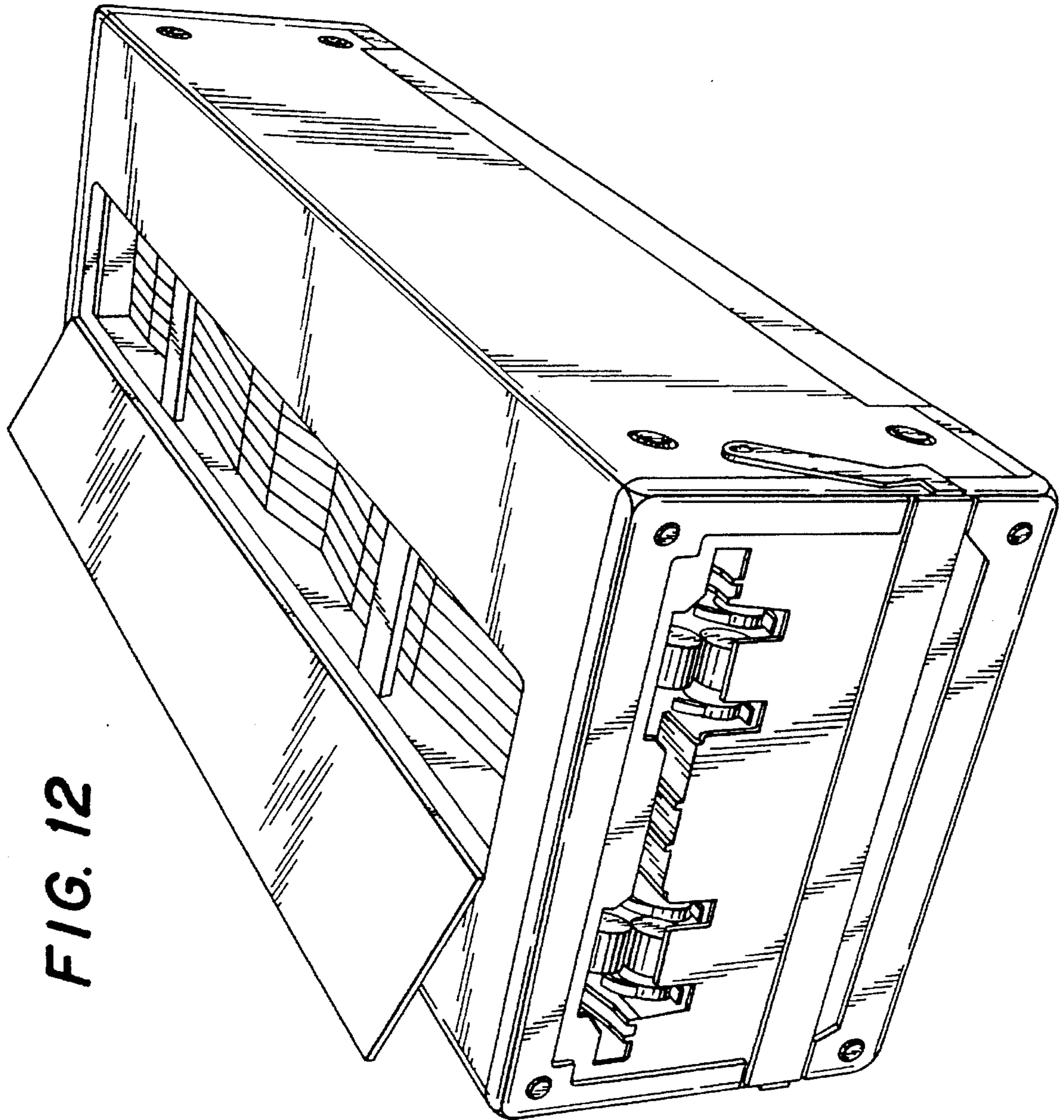
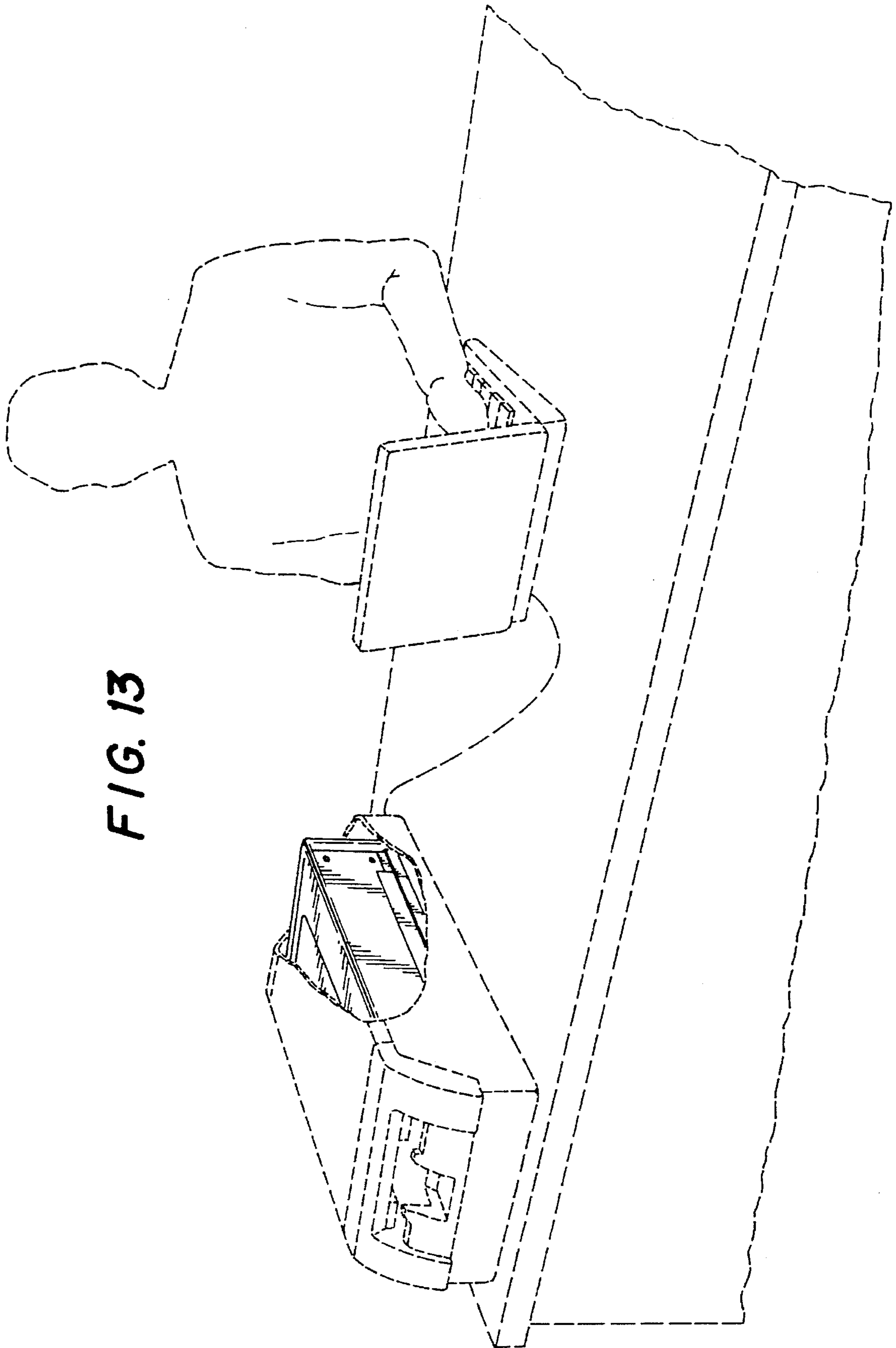


FIG. 12



**FIG. 13**