



US00D376244S

# United States Patent [19]

[11] Patent Number: **Des. 376,244**

Feider et al.

[45] Date of Patent: **\*\*Dec. 3, 1996**

[54] **CONTROL PANEL FOR CRANE OPERATOR CAB**

[75] Inventors: **Thomas Feider; Norbert Lenius**, both of Sturgeon Bay; **Edward Lazzeroni; Ronald R. Dir**, both of Racine, all of Wis.

[73] Assignee: **Marine Travelift, Inc.**, Sturgeon Bay, Wis.

[\*\*] Term: **14 Years**

[21] Appl. No.: **41,731**

[22] Filed: **Jul. 24, 1995**

### Related U.S. Application Data

- [63] Continuation-in-part of Ser. No. 451,255, May 26, 1995.
- [52] U.S. Cl. .... **D34/35; D12/192**
- [58] Field of Search ..... **D34/28, 34, 35, D34/37; 180/90; D12/179, 192; 296/70, 191; 280/752; D21/48**

### [56] References Cited

#### U.S. PATENT DOCUMENTS

- D. 202,262 9/1965 Brunger et al. .... D12/192
- D. 277,795 2/1985 Griffiths ..... D34/35
- D. 284,751 7/1986 Soederberg ..... D12/192
- D. 324,508 3/1992 Chase et al. .... D12/192
- 2,966,952 1/1961 Wilfert ..... 280/752

- 3,146,903 9/1964 Bjorklund .
- 3,161,309 12/1964 Baudhuin et al. .
- 3,176,853 4/1965 Baudhuin et al. .
- 3,675,786 7/1972 Wilson .
- 3,759,409 9/1973 Wenzel et al. .
- 4,421,190 12/1983 Martinson et al. .... 180/90
- 4,546,852 10/1985 Martin et al. .
- 5,174,621 12/1992 Anderson ..... 180/90

*Primary Examiner*—A. Hugo Word  
*Assistant Examiner*—Robin V. Taylor  
*Attorney, Agent, or Firm*—Wallenstein & Wagner, Ltd.

### [57] CLAIM

The ornamental design for a control panel for crane operator cab, as shown and described.

### DESCRIPTION

FIG. 1 is a perspective view of the control panel for crane operator cab, embodying the new design;  
 FIG. 2 is a side elevational view of the control panel of FIG. 1;  
 FIG. 3 is an opposite side view of the control panel of FIG. 2;  
 FIG. 4 is a front view of the control panel of FIG. 1;  
 FIG. 5 is a rear view of the control panel of FIG. 1;  
 FIG. 6 is a top view of the control panel of FIG. 1; and,  
 FIG. 7 is a bottom view of the control panel of FIG. 1.  
 The broken line showing of buttons, switches and gauges is for illustrative purposes only and forms no part of the claimed design.

**1 Claim, 3 Drawing Sheets**

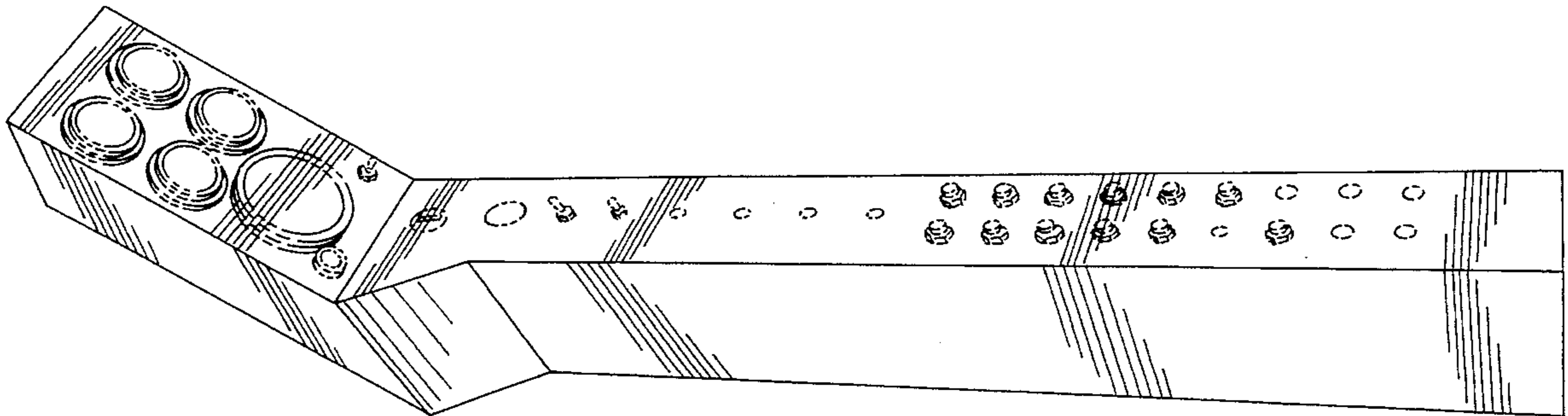


FIG. 1

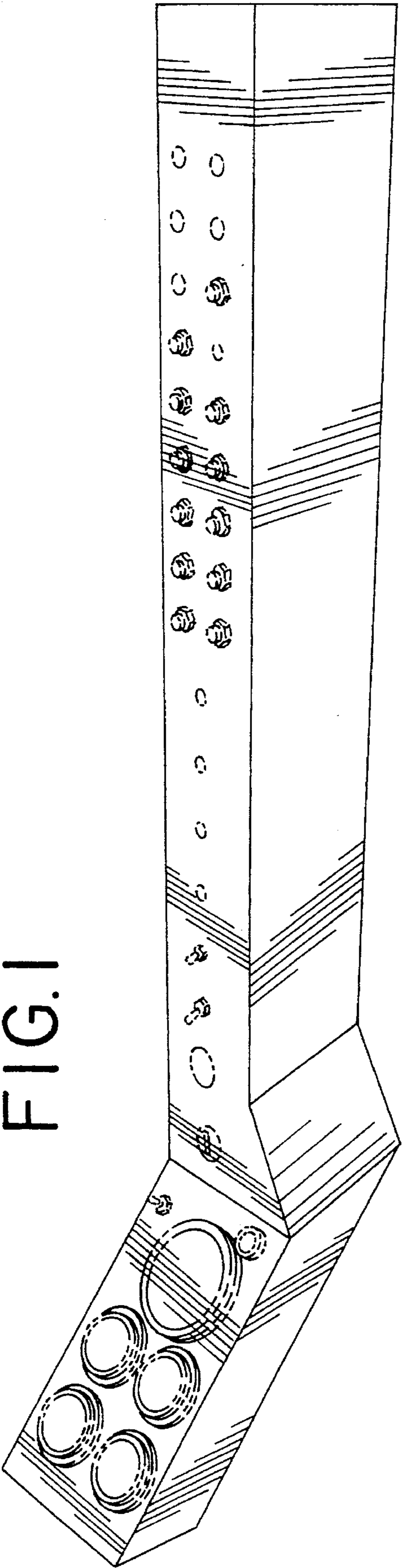


FIG. 2

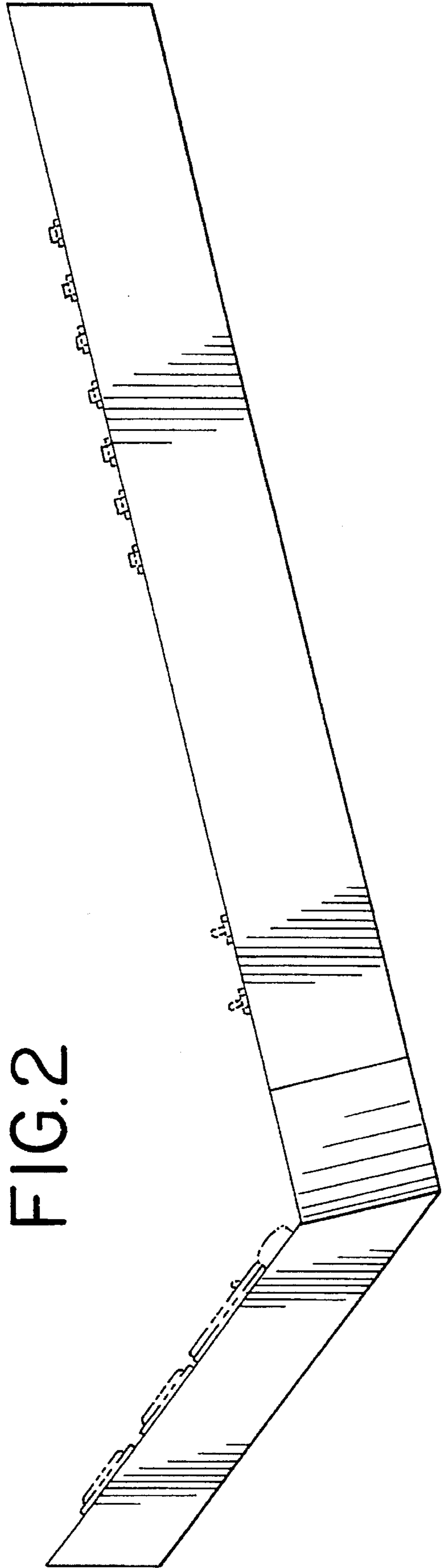


FIG. 3

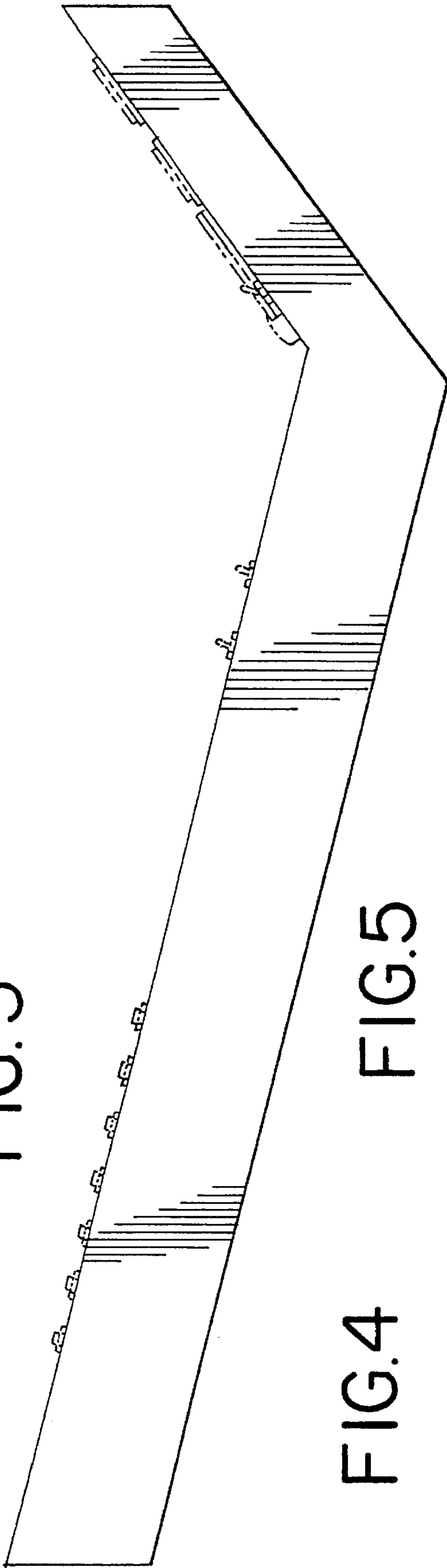


FIG. 4

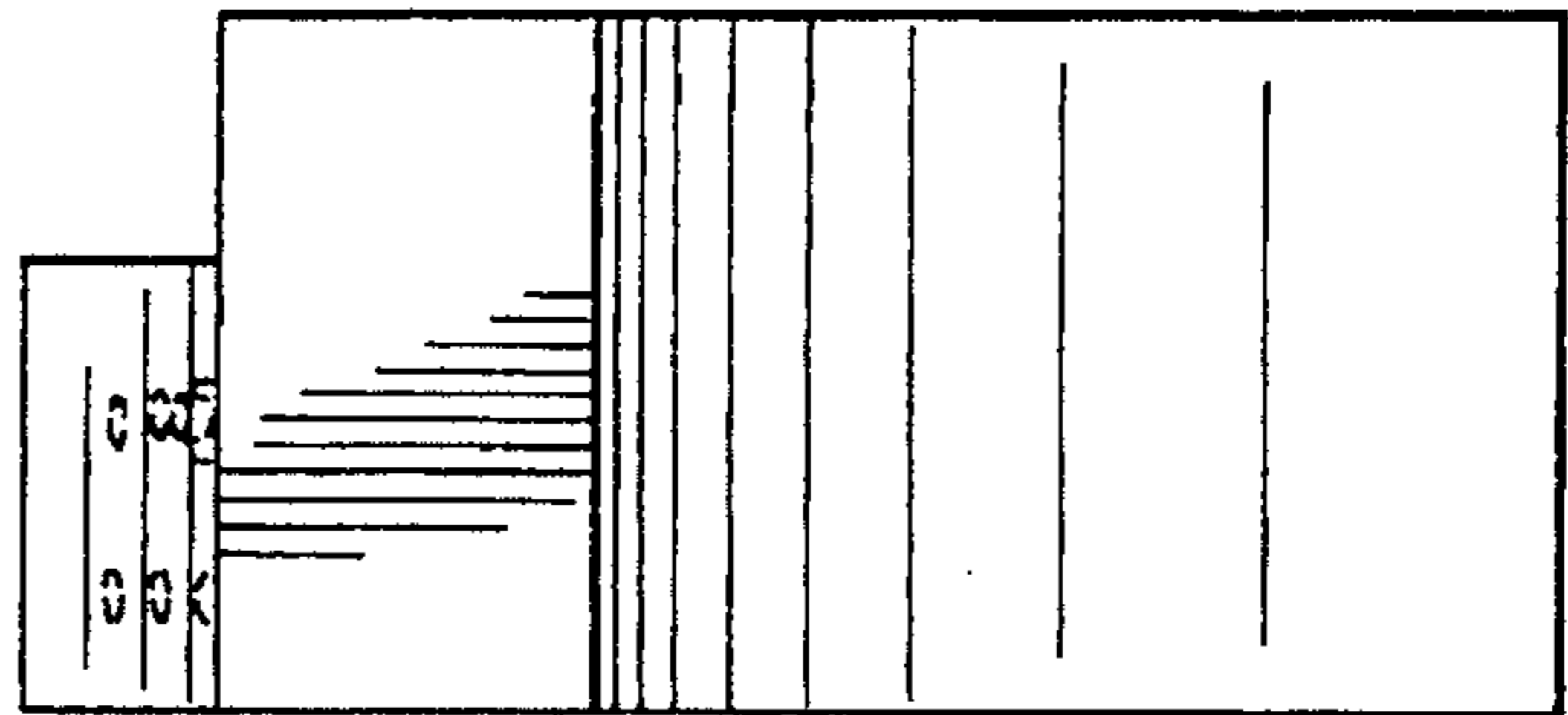


FIG. 5

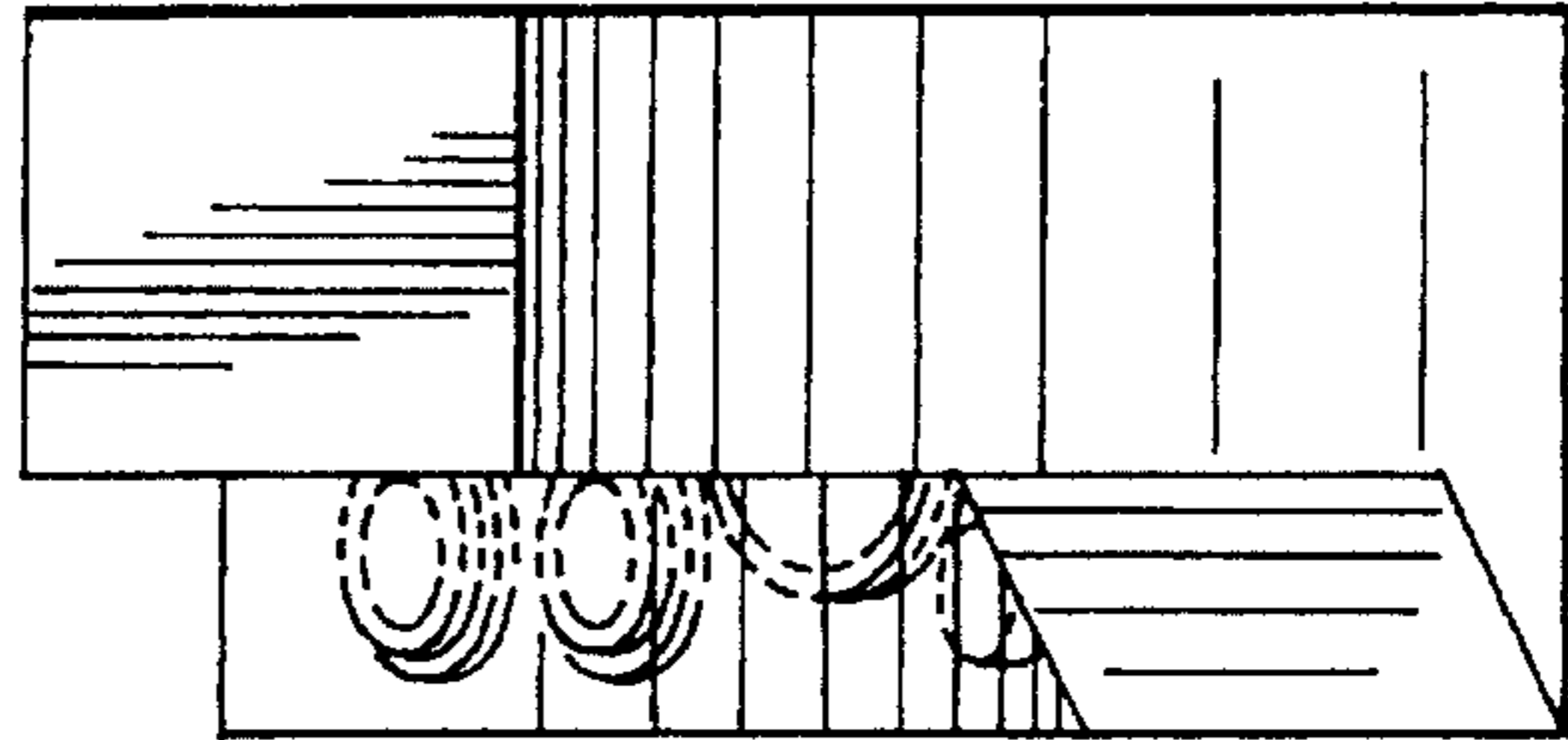


FIG. 6

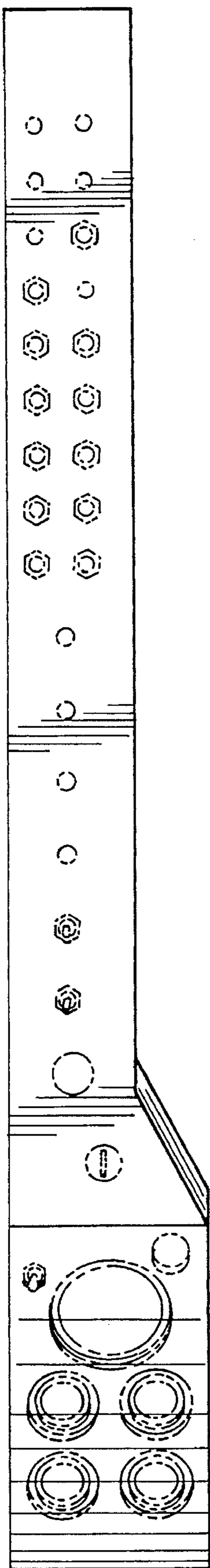


FIG. 7

