



US00D376241S

United States Patent [19] Chapman

[11] **Patent Number:** **Des. 376,241**
[45] **Date of Patent:** ****Dec. 3, 1996**

- [54] **CAMERA CRANE ARM SECTION**
- [75] **Inventor:** **Leonard T. Chapman**, North Hollywood, Calif.
- [73] **Assignee:** **Leonard Studio Equipment, Inc.**, North Hollywood, Calif.
- [**] **Term:** **14 Years**
- [21] **Appl. No.:** **42,593**
- [22] **Filed:** **Aug. 14, 1995**
- [52] **U.S. Cl.** **D34/33; D16/242**
- [58] **Field of Search** **D34/33; 248/123.1, 248/178.1, 183.1, 278.1, 279.1, 280.11, 292.11, 297.11, 647, 648; 354/74, 80, 81, 293, 294, 295; 352/242, 243**

[56] **References Cited**

U.S. PATENT DOCUMENTS

D. 238,903	2/1976	Colvig	D16/242
4,657,220	4/1987	Lindsay	352/243 X
5,033,705	7/1991	Reagan	248/292.11 X
5,054,725	10/1991	Bucefari et al.	248/292.11 X

FOREIGN PATENT DOCUMENTS

4326477	2/1995	Germany	248/647
---------	--------	---------	-------	---------

OTHER PUBLICATIONS

The Hy Hy Crane Arm Base brochure, Leonard Studio Equipment, Inc. (1993).
 The Lenny Arm II by Chapman brochure, Leonard Studio Equipment, Inc. (1994).

Egripment Piccolo brochure, Egripment U.S.A. inc. Admitted prior art.
 The Lenny Arm by Chapman brochure, Leonard Studio Equipment, Inc. (1992).

Primary Examiner—B. J. Bullock
Assistant Examiner—Linda Brooks
Attorney, Agent, or Firm—Lyon & Lyon

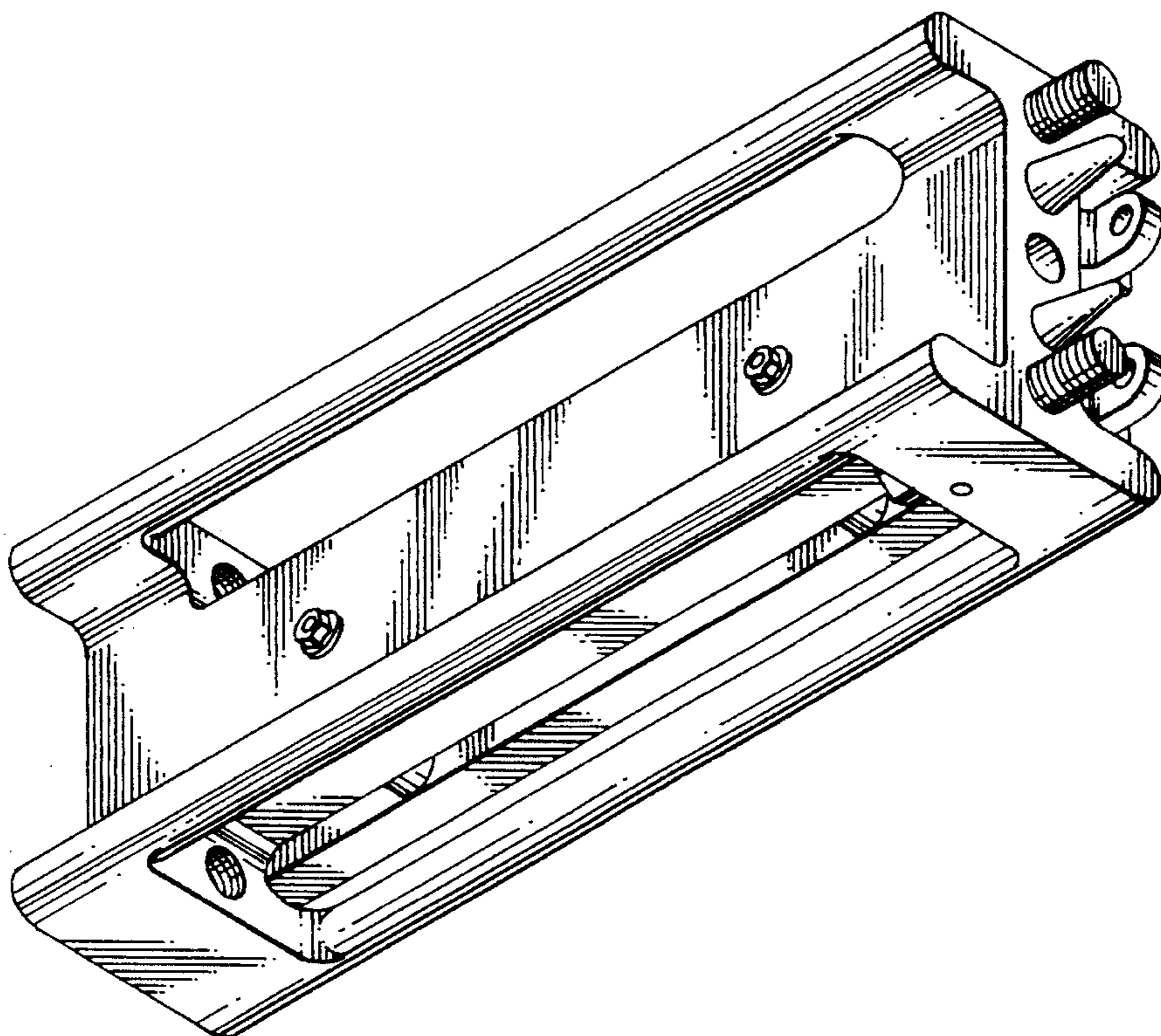
[57] **CLAIM**

The ornamental design for a camera crane arm section, as shown and described.

DESCRIPTION

FIG. 1 is a side elevation view of a camera crane arm section showing my new design, with a broken line illustration of two adjoining camera crane arm sections being shown for illustrative purposes only and forming no part of the claimed design;
 FIG. 2 is an enlarged isometric view of FIG. 1, as viewed from the right front corner, looking downwardly;
 FIG. 3 is an isometric view thereof, as viewed from the left rear corner, looking upwardly;
 FIG. 4 is a top plan view thereof;
 FIG. 5 is a right side elevation view thereof;
 FIG. 6 is a left side elevation view thereof;
 FIG. 7 is a bottom view thereof;
 FIG. 8 is a right end view of FIG. 2; and,
 FIG. 9 is a left end view of FIG. 2.

1 Claim, 3 Drawing Sheets



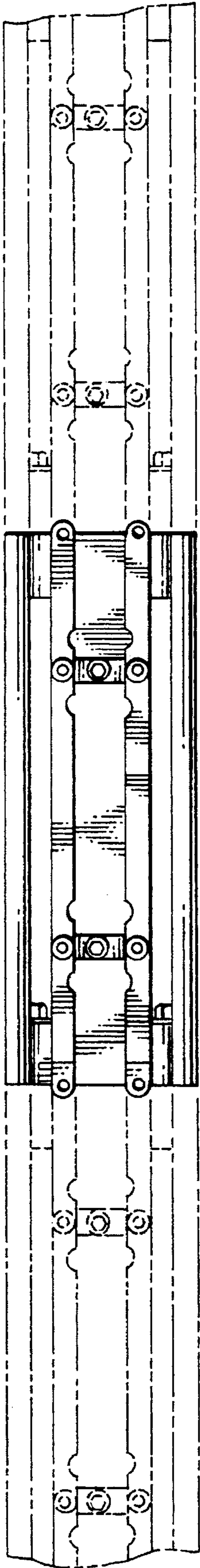


Fig. 1

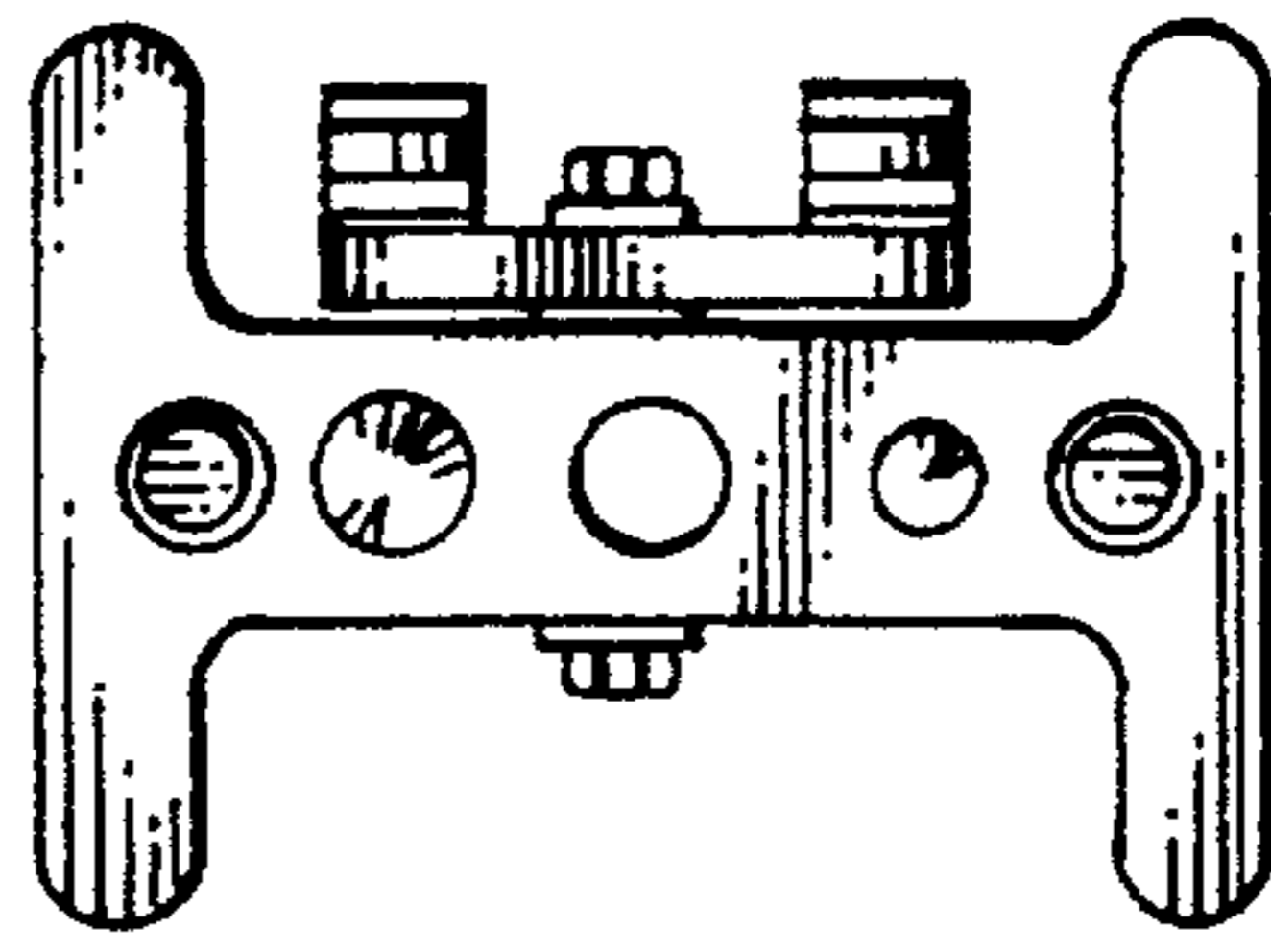


Fig. 9

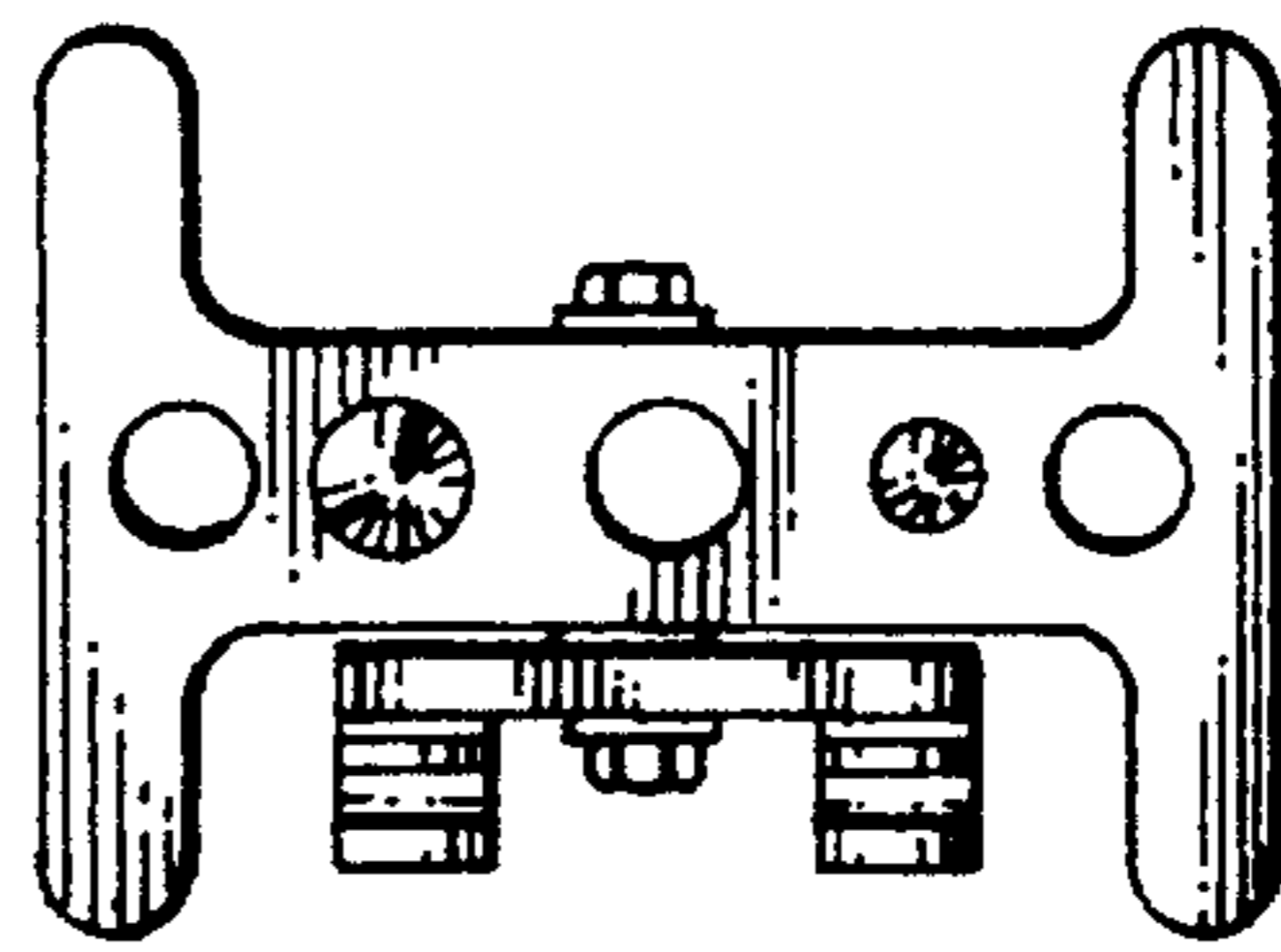


Fig. 8

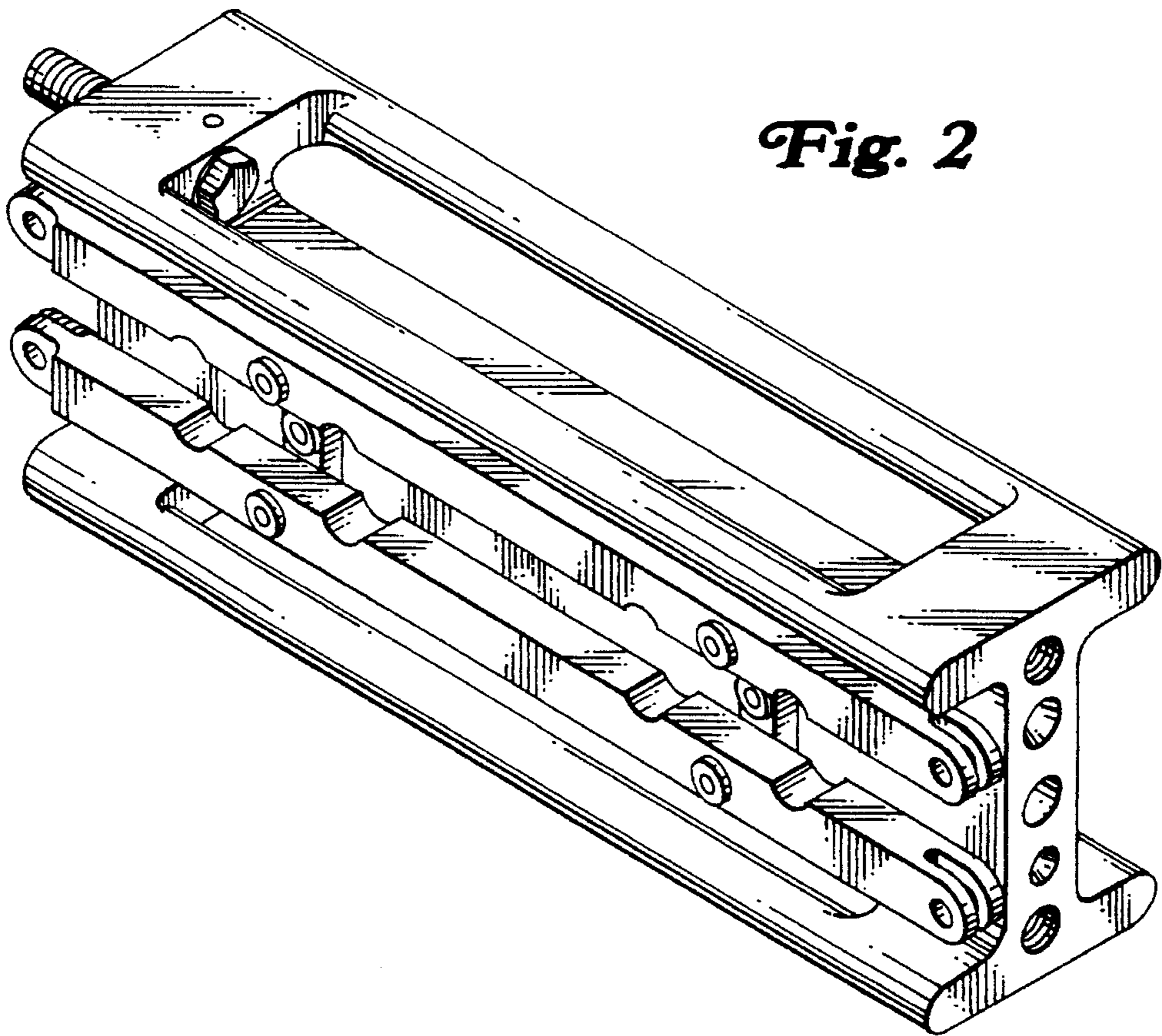


Fig. 2

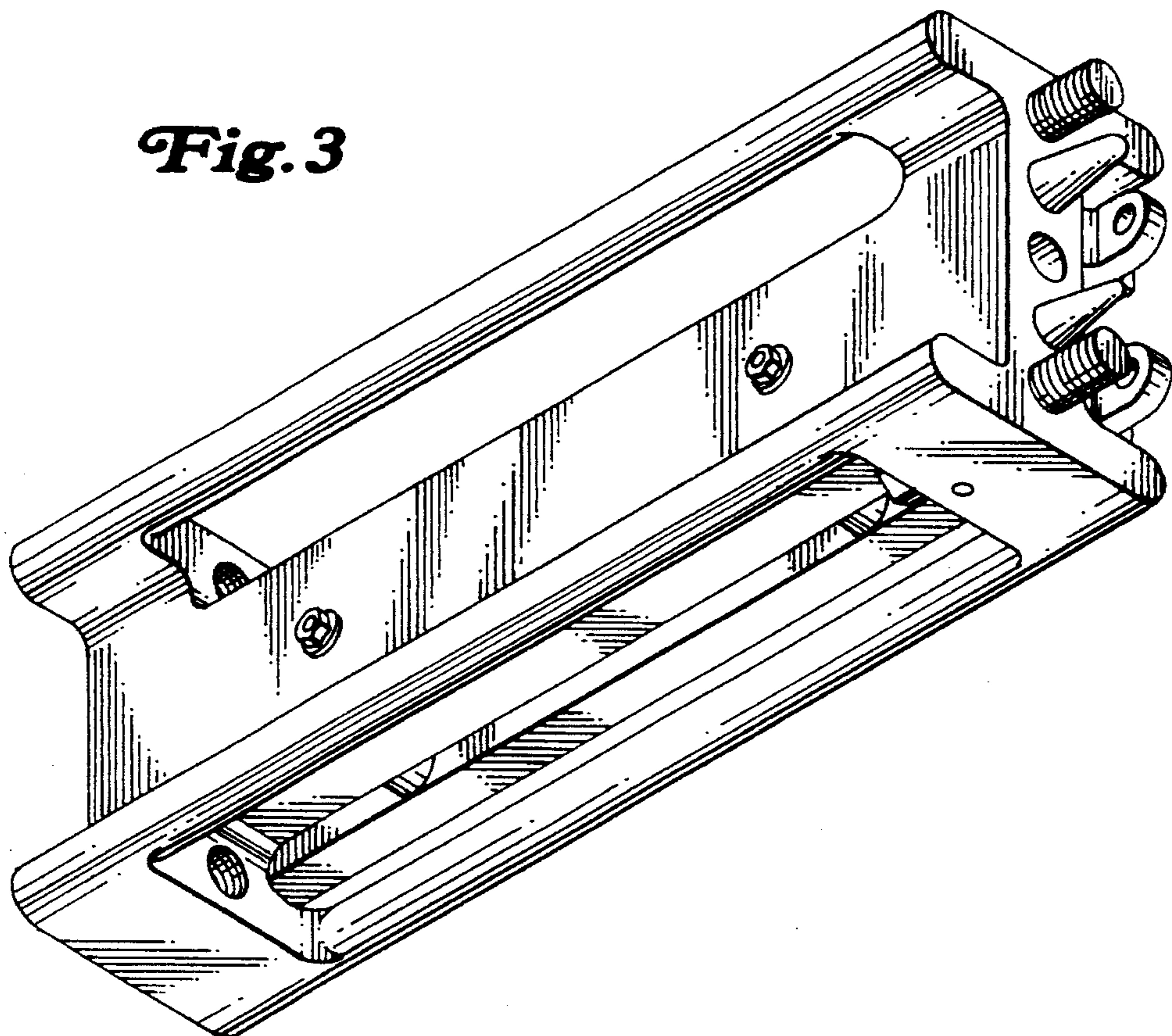


Fig. 3

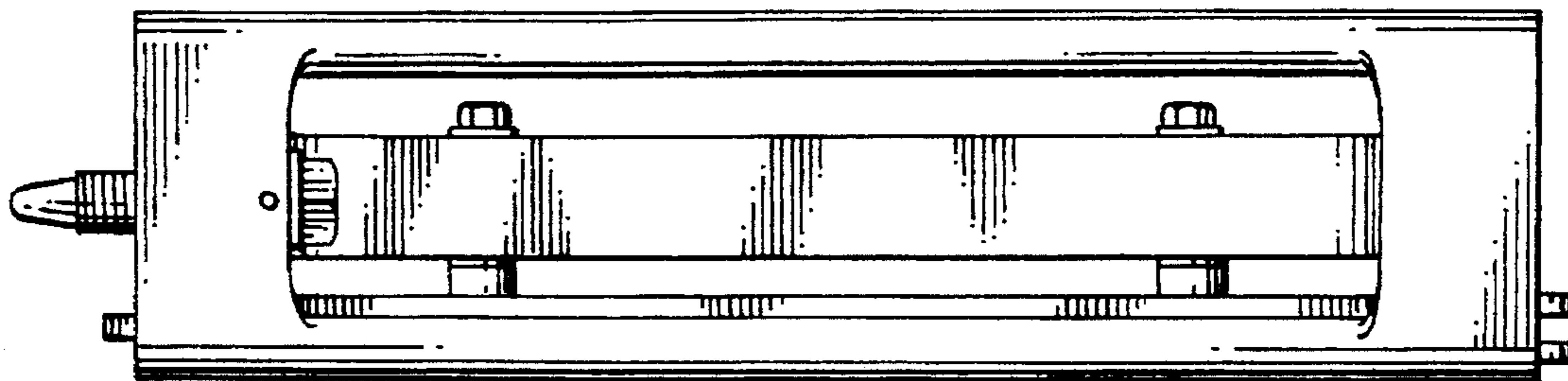


Fig. 4

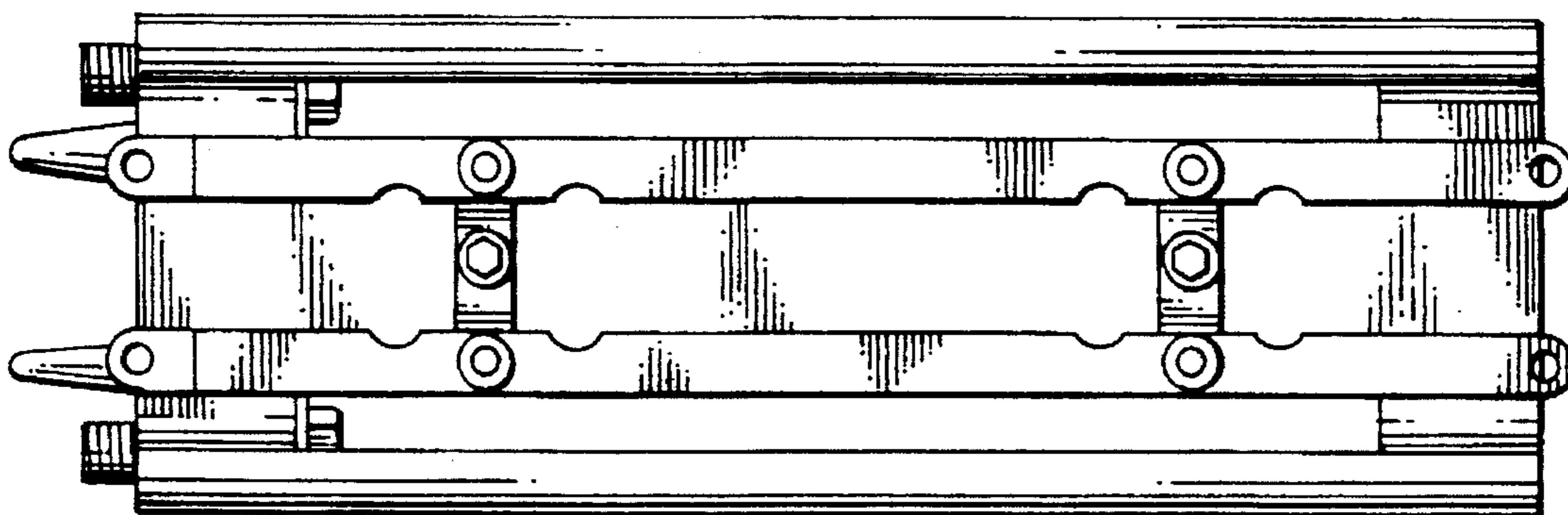


Fig. 5

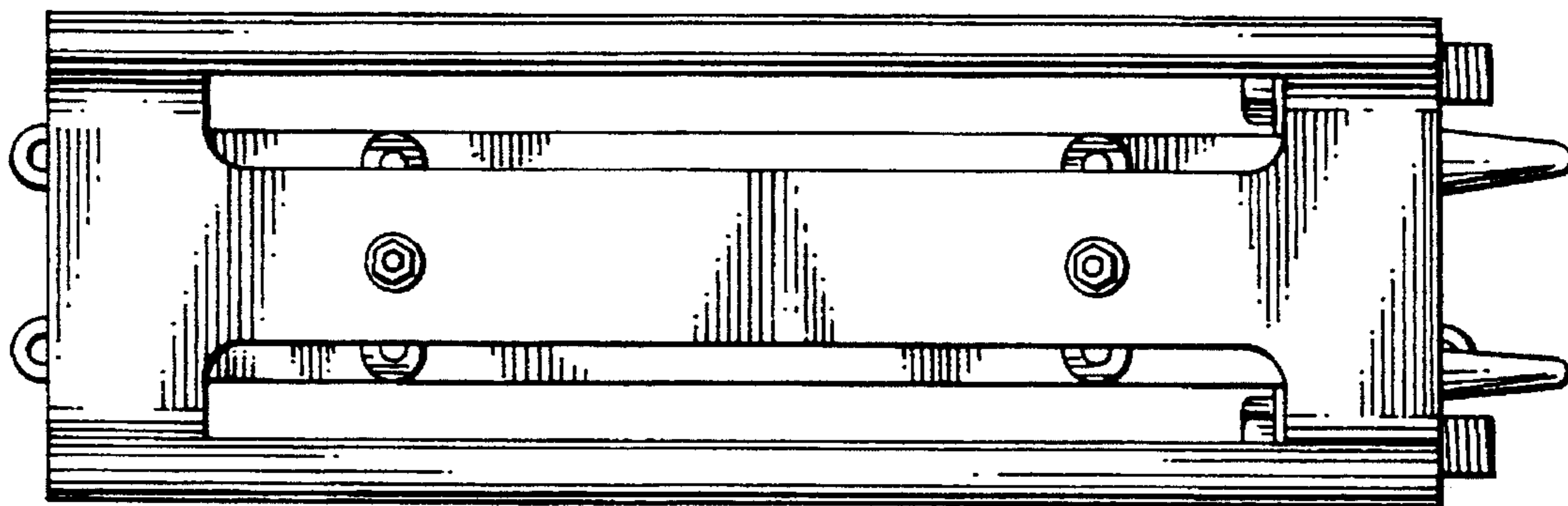


Fig. 6

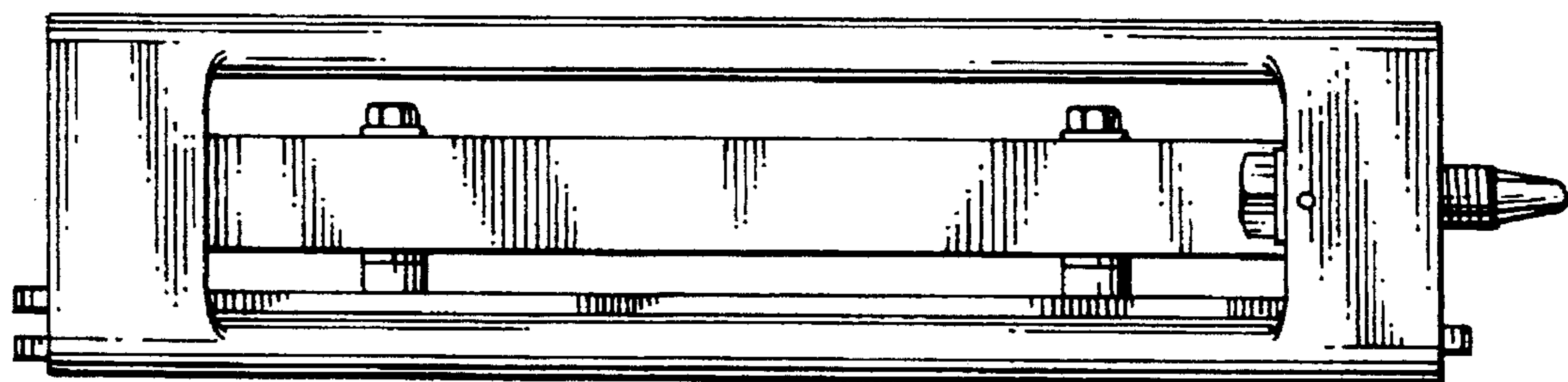


Fig. 7