



US00D376240S

United States Patent [19]

[11] Patent Number: **Des. 376,240**

Finnigan et al.

[45] Date of Patent: ****Dec. 3, 1996**

[54] **FOLDING FLOOR CRANE**

5,299,659 5/1994 Imbeault 187/200
5,358,217 10/1994 Dach 254/2 R

[75] Inventors: **Robert R. Finnigan; Johnny R. Bakko**, both of Renton, Wash.

Primary Examiner—A. Hugo Word
Assistant Examiner—Robin V. Taylor
Attorney, Agent, or Firm—Glenn D. Bellamy

[73] Assignee: **Wilmar Corporation**, Seattle, Wash.

[**] Term: **14 Years**

[57] **CLAIM**

[21] Appl. No.: **40,425**

The ornamental design for a folding floor crane, as shown and described.

[22] Filed: **Jun. 19, 1995**

DESCRIPTION

[52] U.S. Cl. **D34/33**

[58] Field of Search D34/28, 31, 33;
414/785, 11, 917; 212/294, 295, 901; 187/200,
244, 243; 254/2 R, 8 R

FIG. 1 is a left side elevational view of the folding floor crane showing our new design;
FIG. 2 is a right side elevational view thereof;
FIG. 3 is a bottom view thereof;
FIG. 4 is a top plan view thereof;
FIG. 5 is a front elevational view thereof;
FIG. 6 is a rear elevational view thereof;
FIG. 7 is a front perspective view thereof;
FIG. 8 is a side elevational view thereof shown in folded position; and,
FIG. 9 is a perspective view thereof.

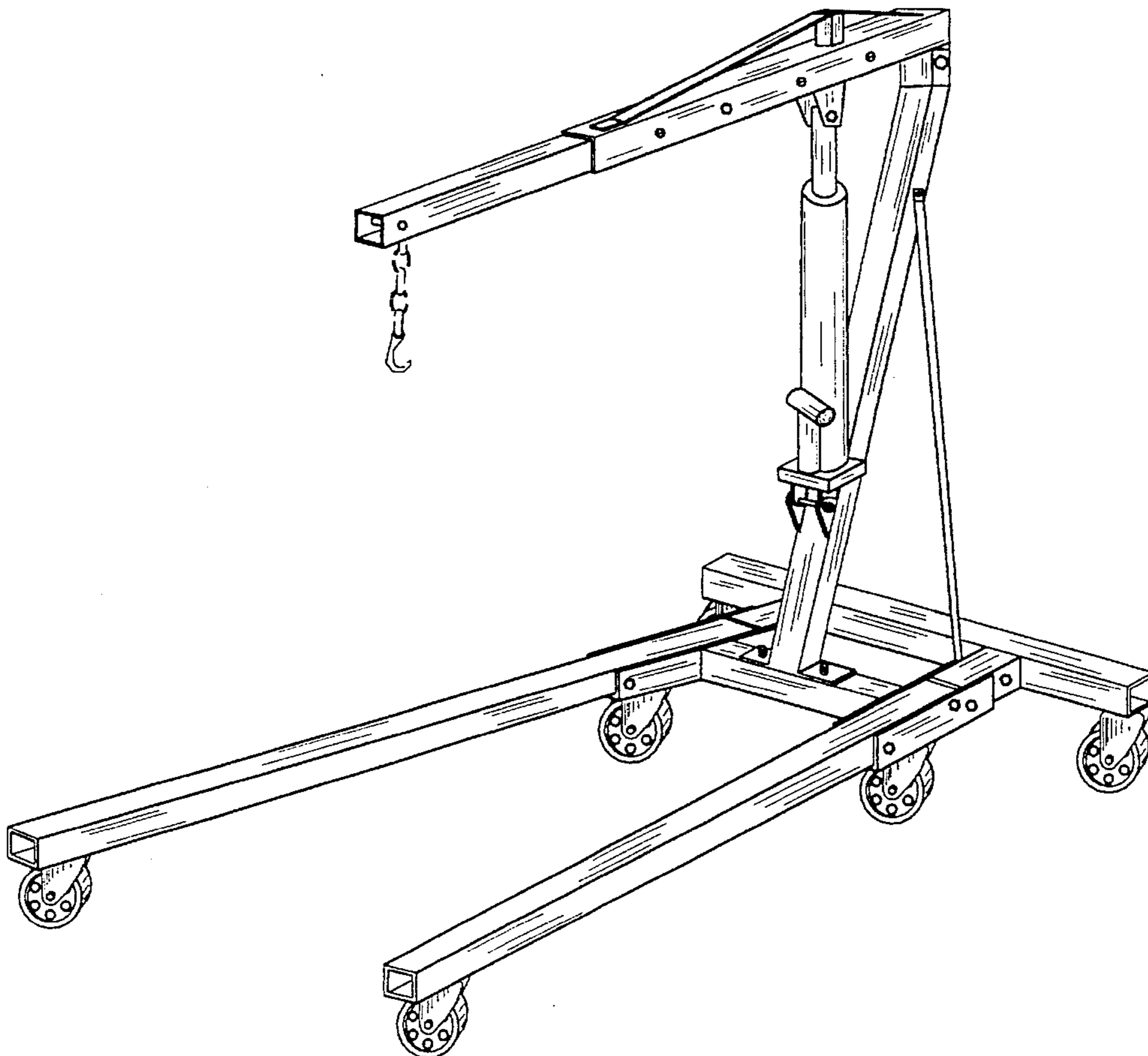
[56] **References Cited**

U.S. PATENT DOCUMENTS

D. 163,230	5/1951	Stratton	D34/34
2,615,584	10/1952	Adams	212/59
3,367,512	2/1968	Kaplan	212/294
4,508,233	4/1985	Helms	212/182
4,749,324	6/1988	Rulison	D34/33
4,770,304	9/1988	Woods	D34/33
4,925,039	5/1990	Macris	212/182
5,052,566	10/1991	Ziegler	212/901
5,076,448	12/1991	Ballard	212/140
5,082,127	1/1992	Huang	212/265

The broken line showing of a hook and chain is for illustrative purposes only and forms no part of the claimed design.

1 Claim, 7 Drawing Sheets



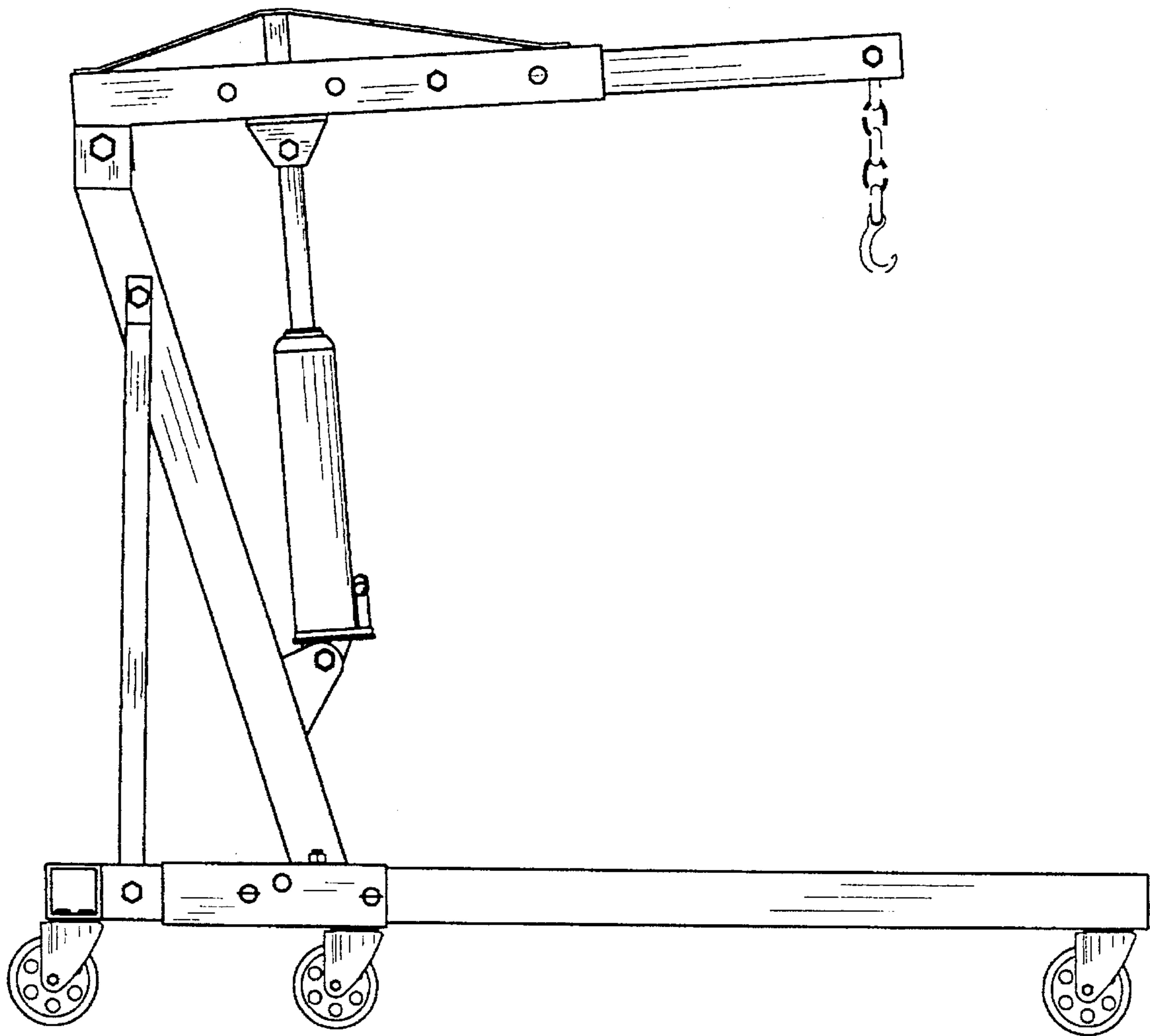


Fig. 1

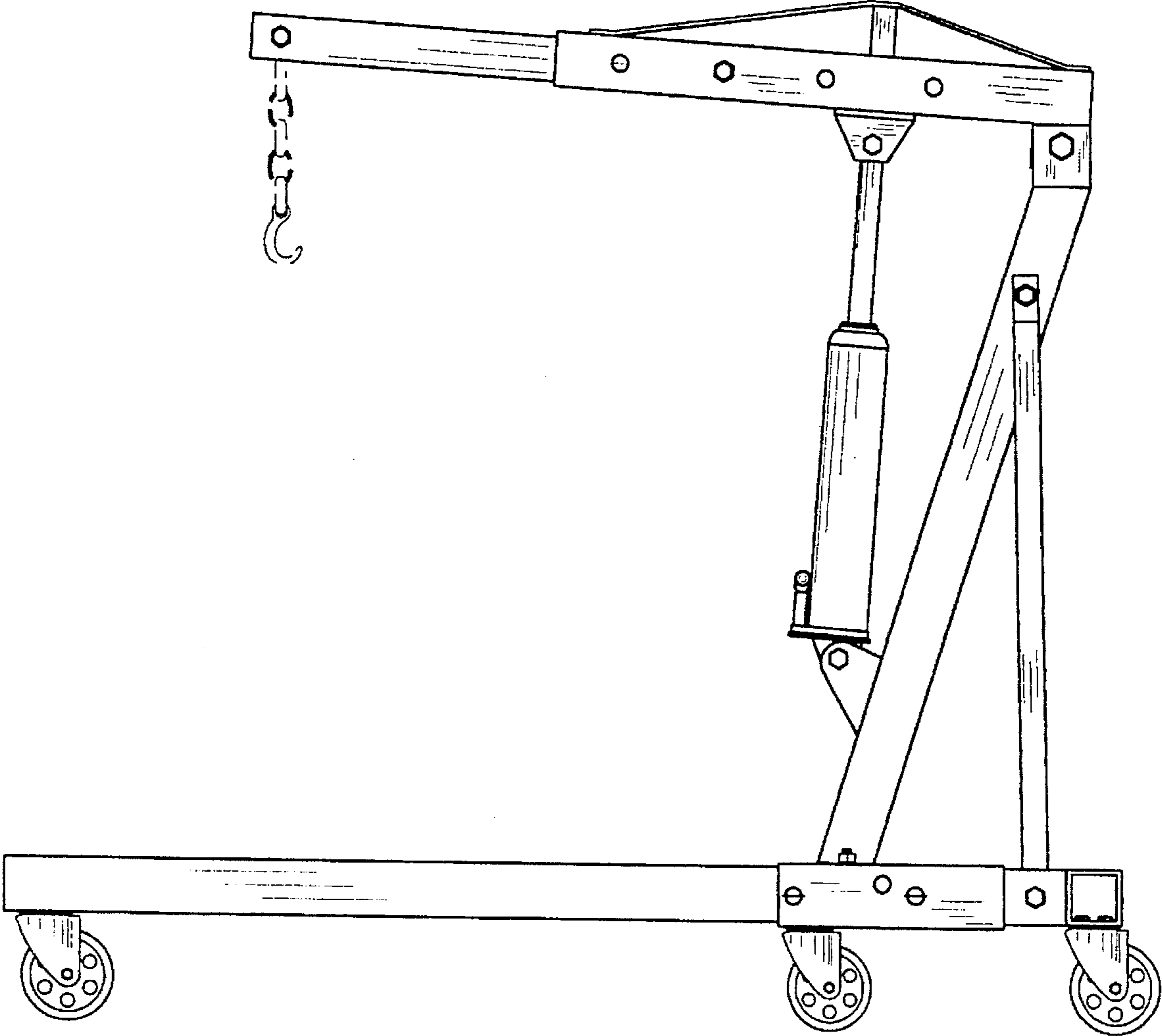


Fig. 2

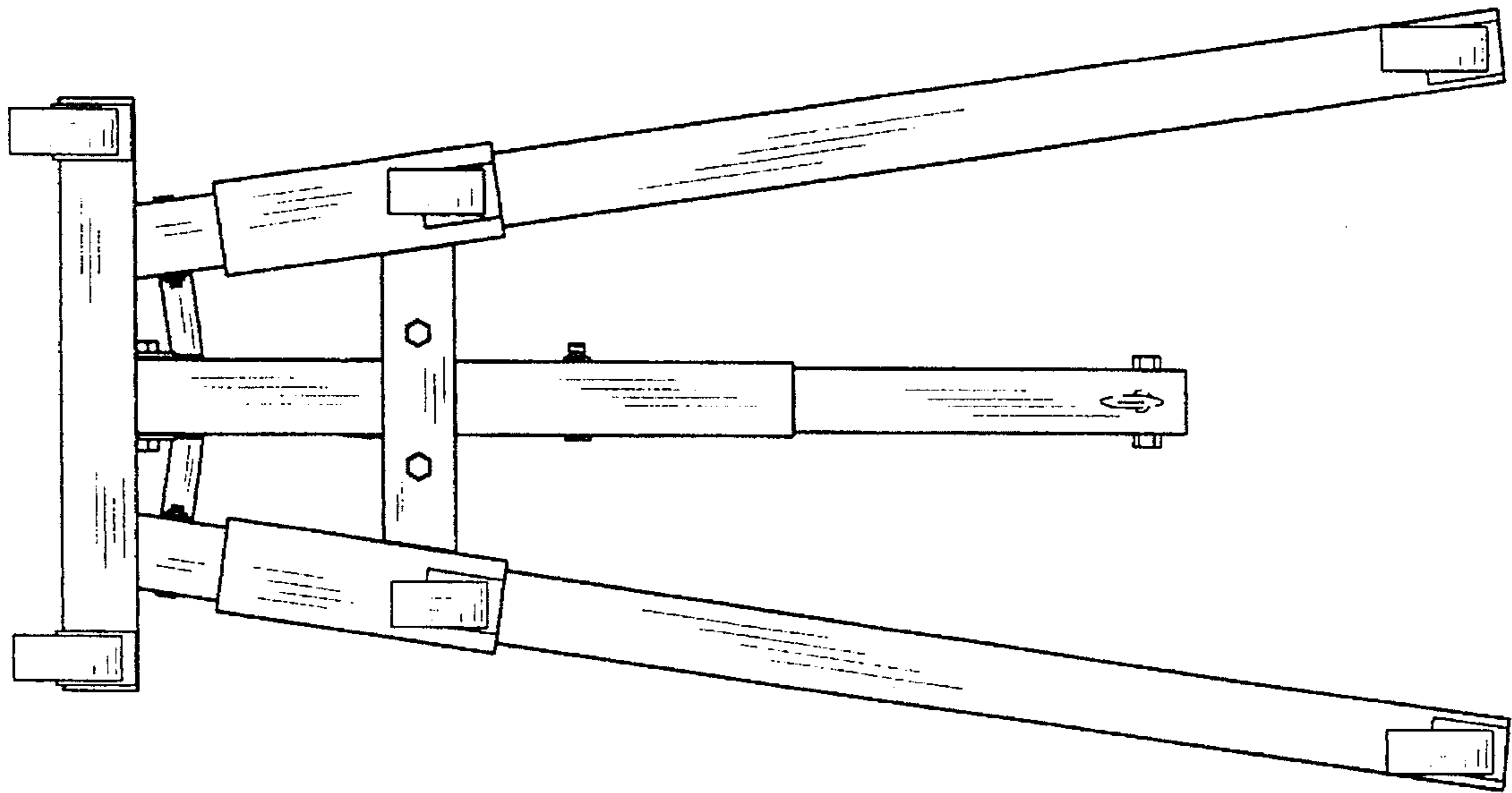


Fig. 3

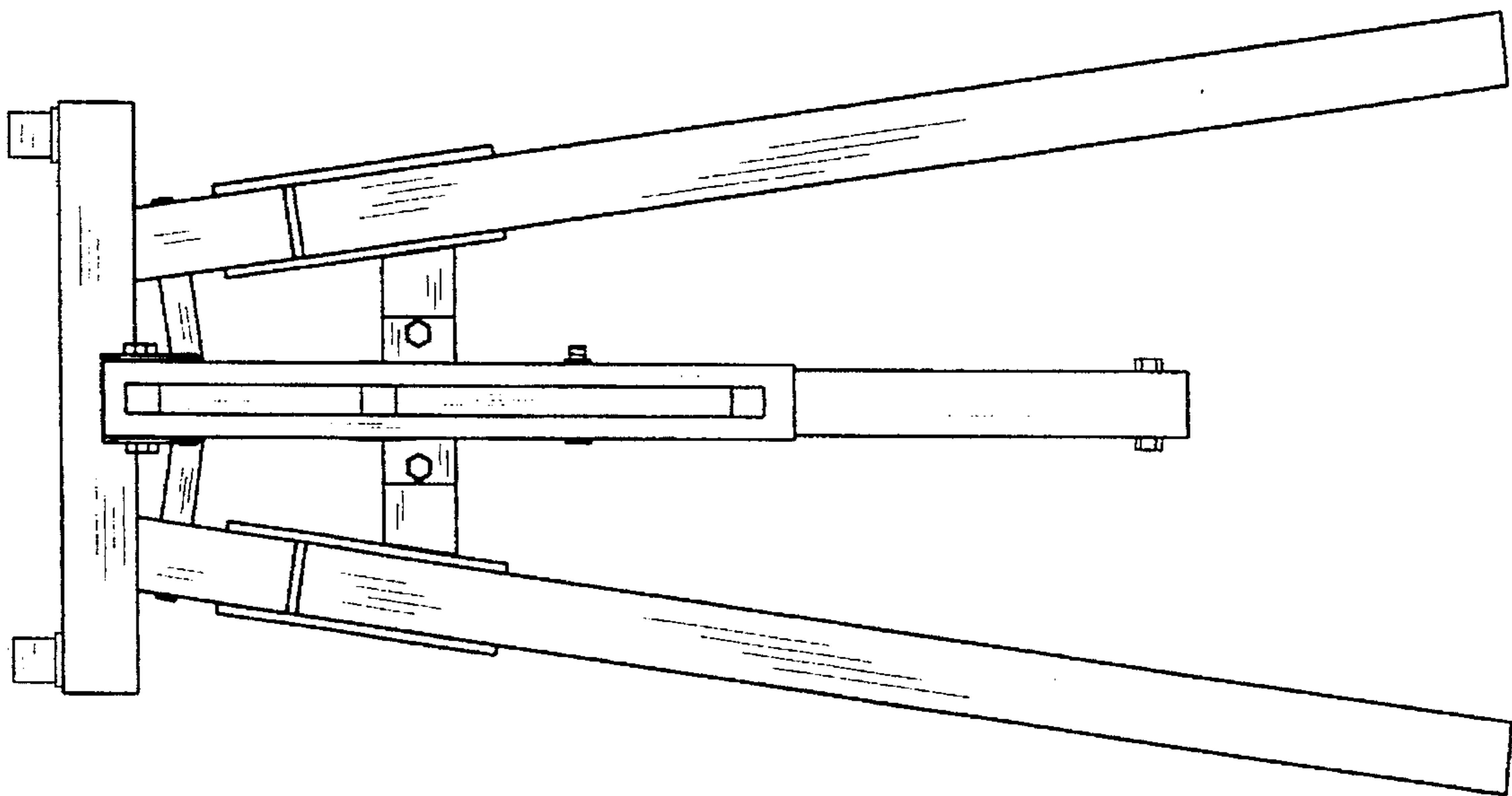


Fig. 4

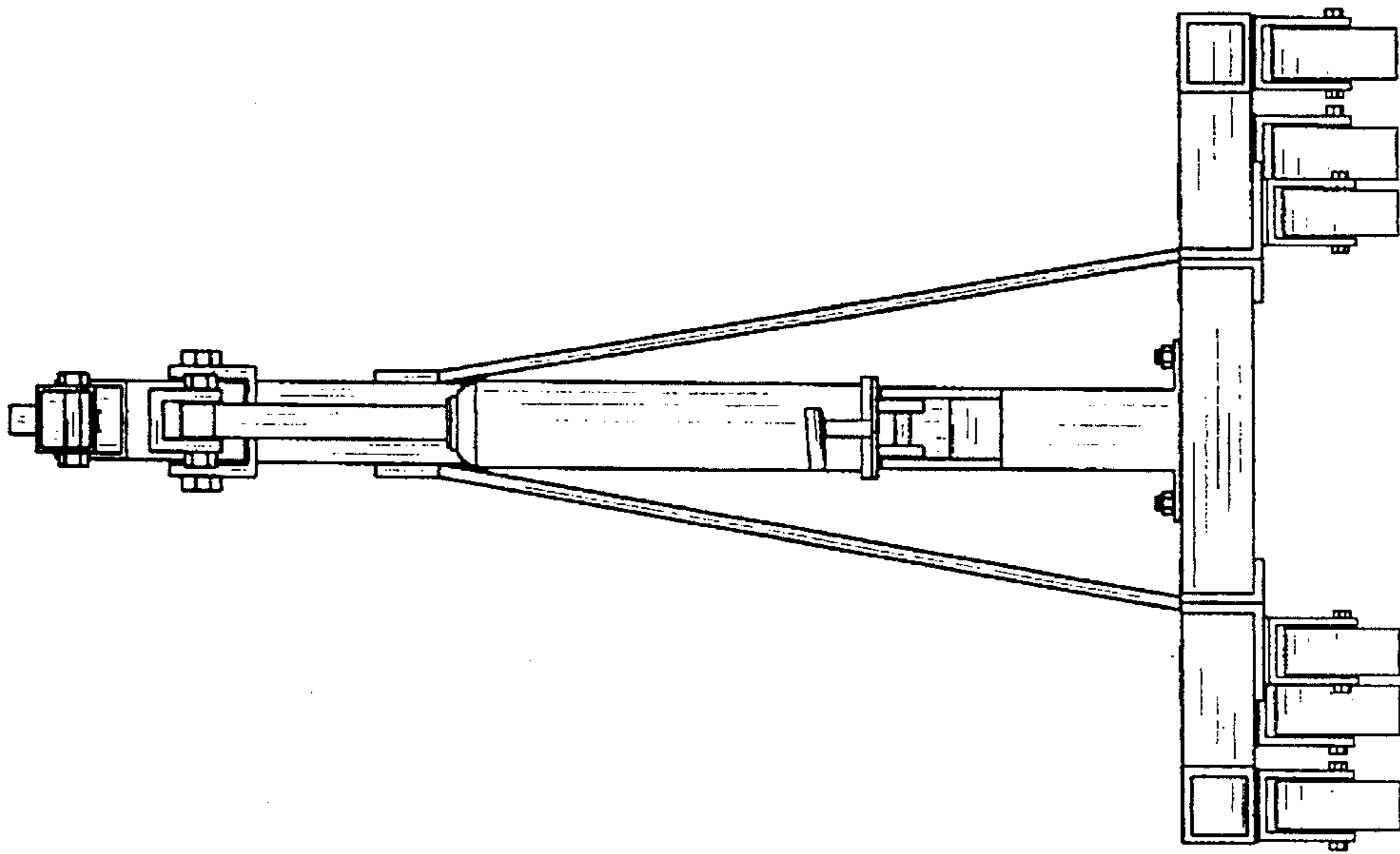


Fig. 5

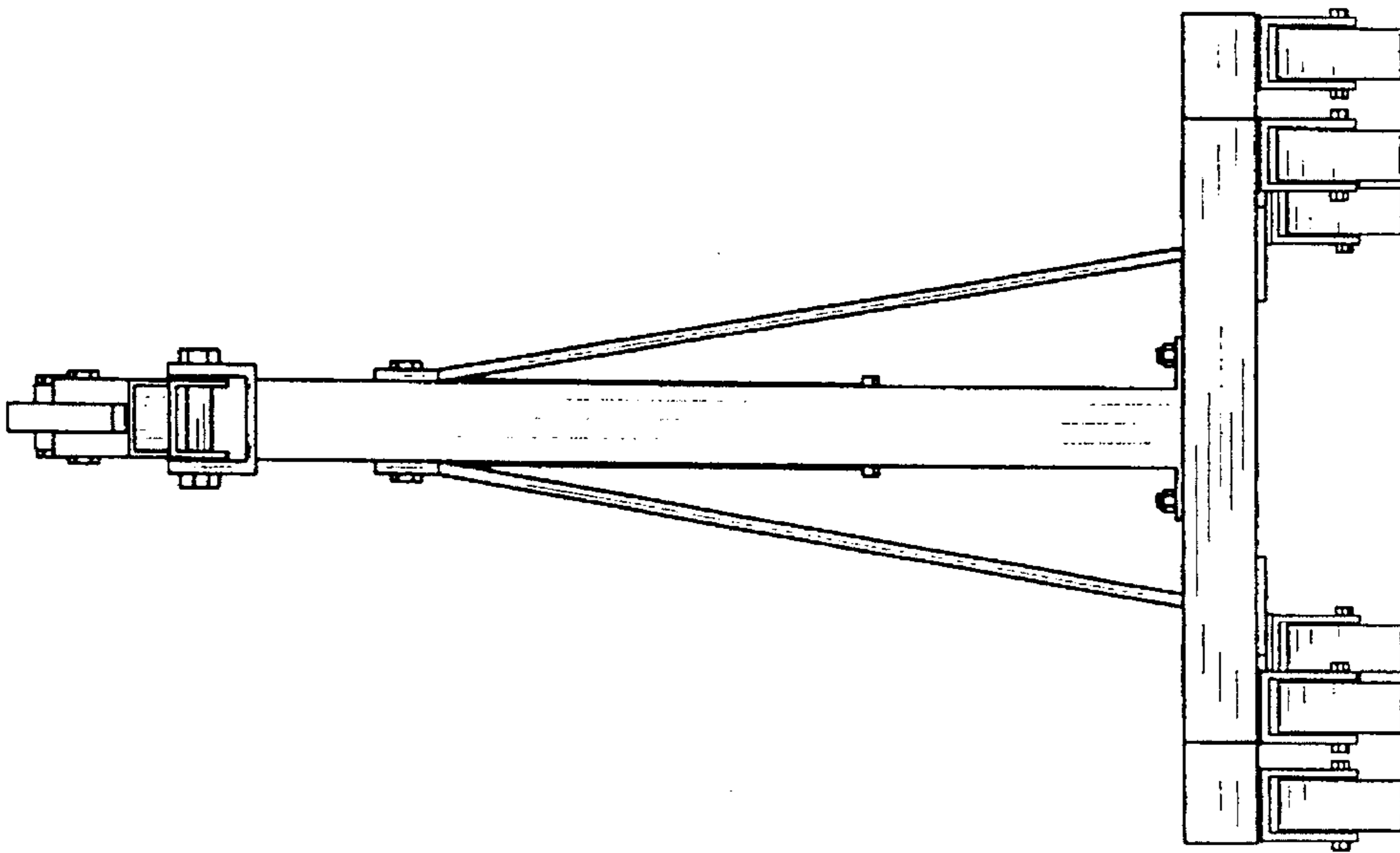


Fig. 6

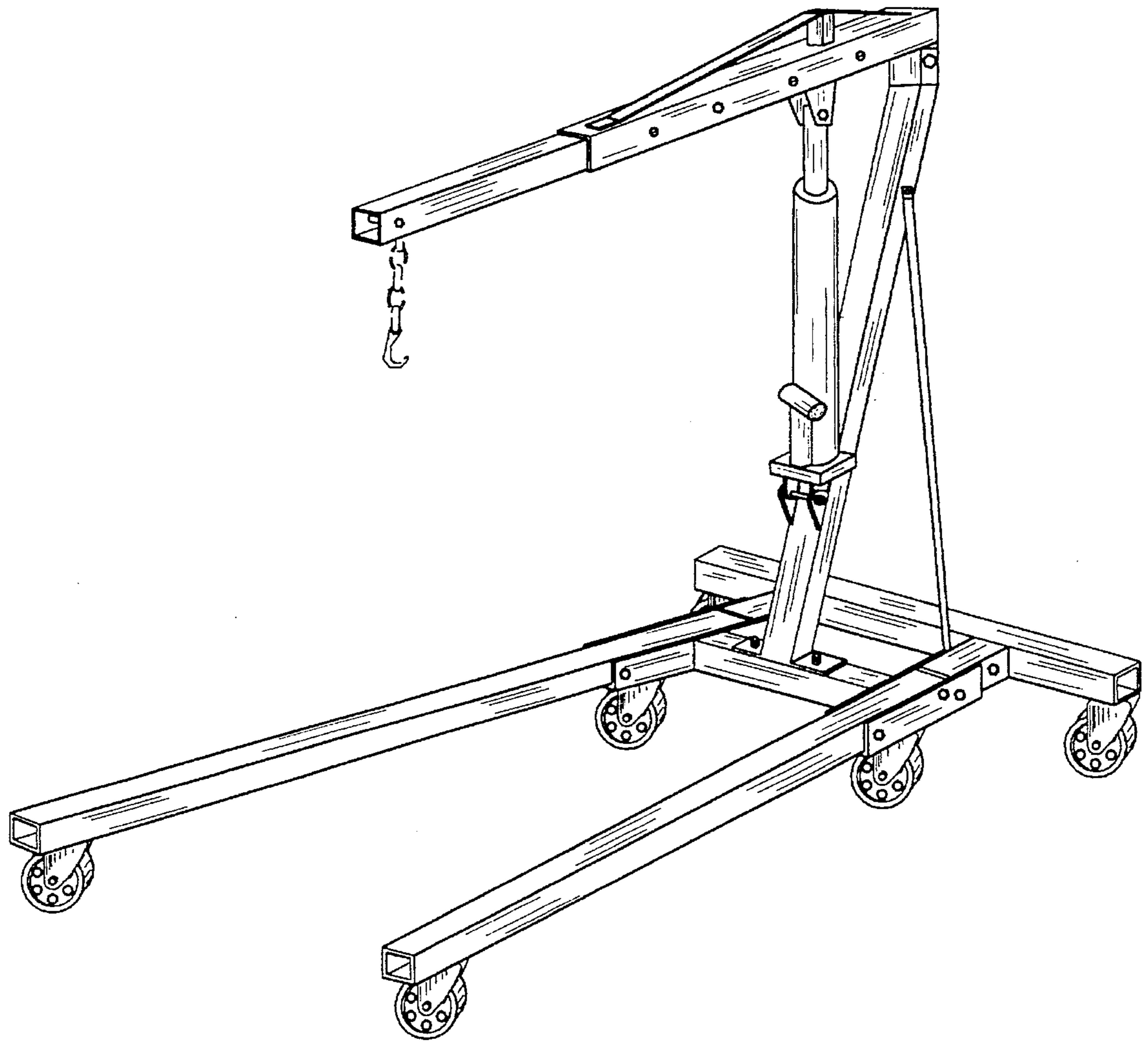


Fig. 7

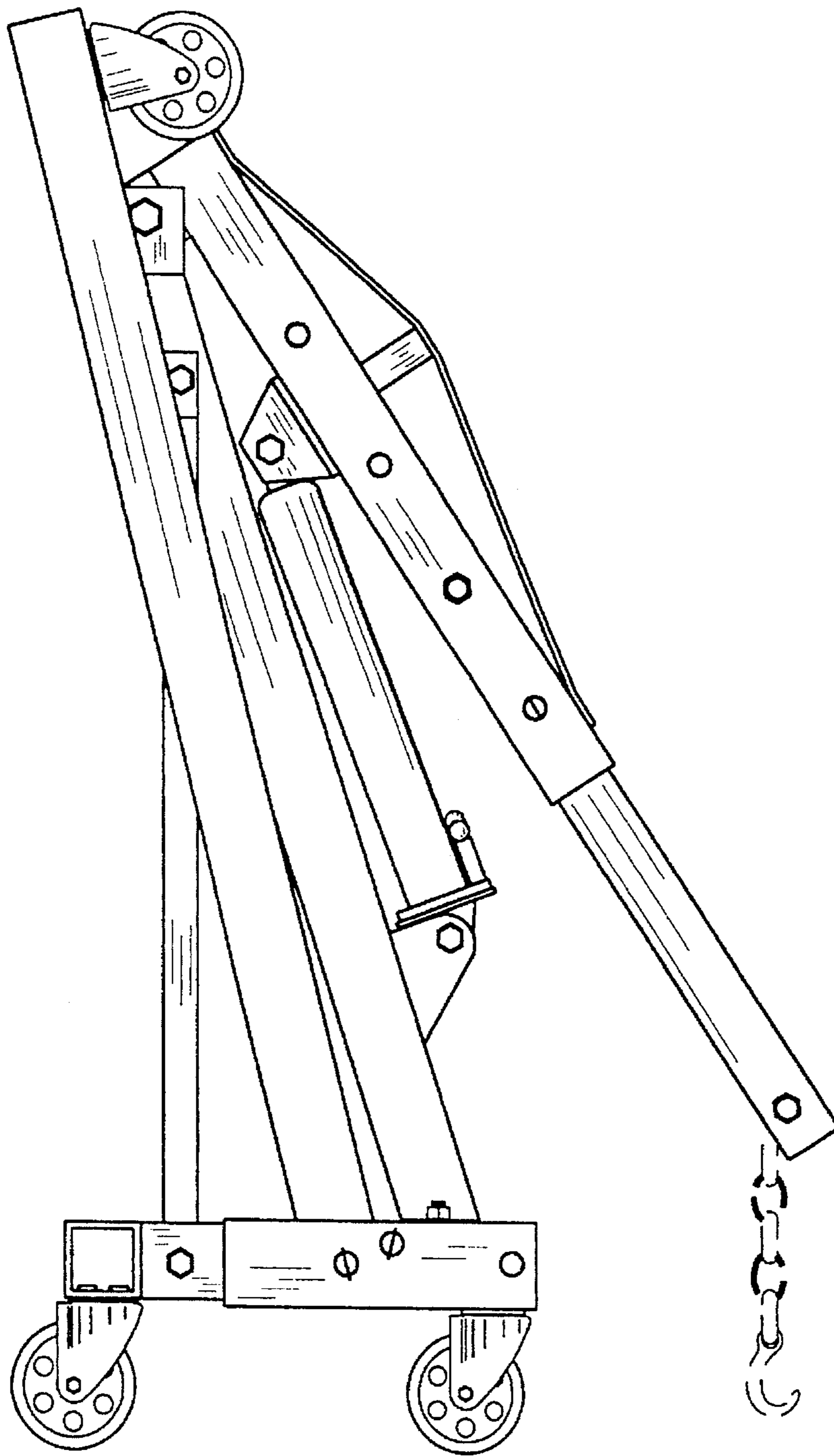


Fig. 8

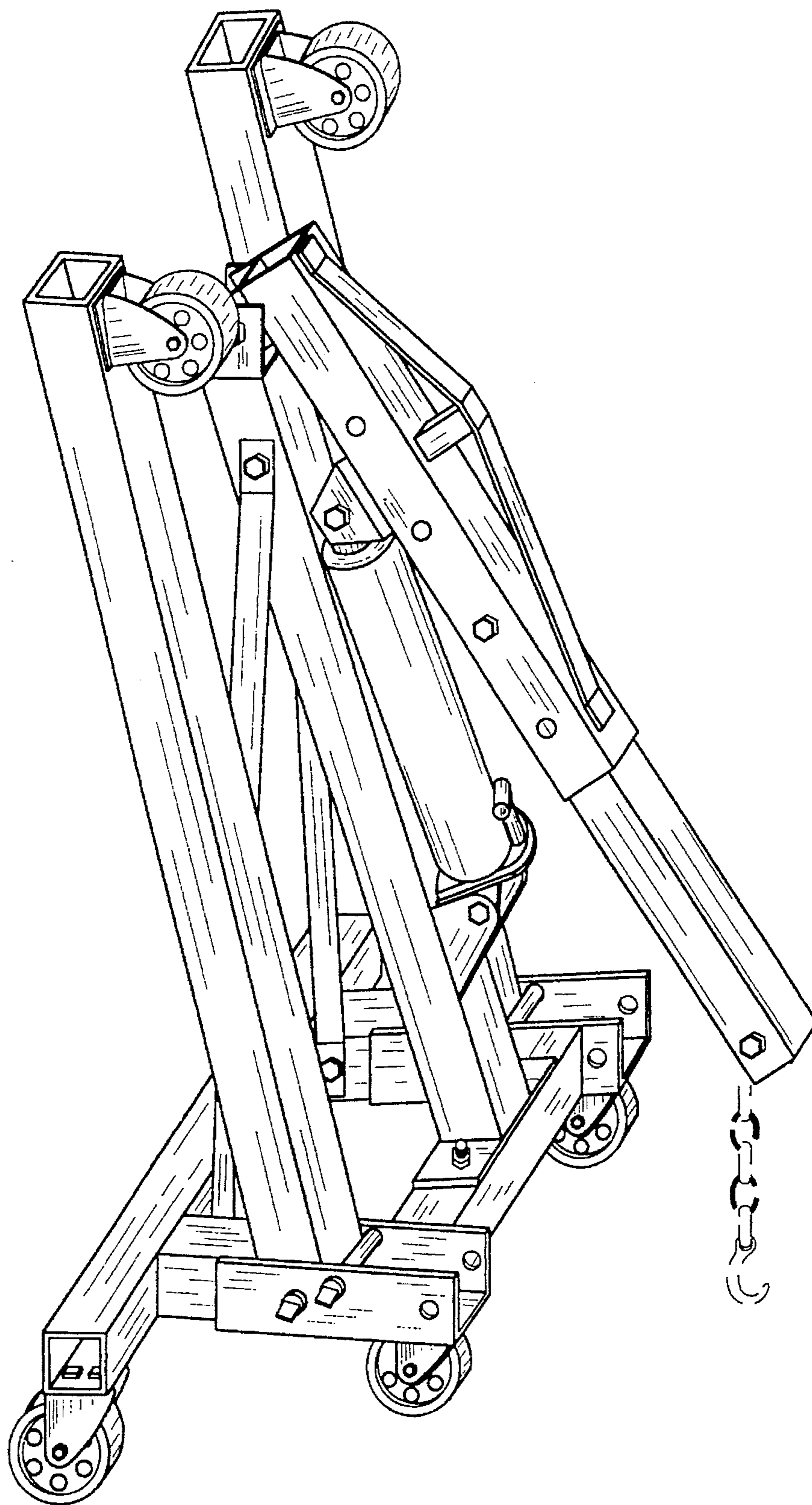


Fig. 9