



US00D376239S

United States Patent [19]

Rasmussen

[11] Patent Number: **Des. 376,239**

[45] Date of Patent: ****Dec. 3, 1996**

[54] **COMBINED CAMPER JACK AND BRACKET**

4,015,822 4/1977 Rasmussen 254/45
4,930,270 6/1990 Bevacqua 248/357 X

[76] Inventor: **C. Martin Rasmussen**, 374 S. Stirling Dr., Fruit Heights, Utah 84037

[**] Term: **14 Years**

[21] Appl. No.: **50,295**

[22] Filed: **Feb. 14, 1996**

OTHER PUBLICATIONS

Camper Jacks—Equalizer Sales Co. Catalog 1962.
Connector Bracket #6110—Crown Metal Mfg. Co. 1983.

Primary Examiner—A. Hugo Word
Assistant Examiner—Robin V. Taylor
Attorney, Agent, or Firm—Workman, Nydegger & Seeley

Related U.S. Application Data

[63] Continuation-in-part of Ser. No. 983,073, Nov. 30, 1992, Pat. No. 5,348,258, and a continuation of Ser. No. 25,621, Jul. 5, 1994, abandoned.

[52] **U.S. Cl.** **D34/31**

[58] **Field of Search** D34/28, 31; 254/8 B, 254/8 R, 11, 84, 86, 93 H, 133-4, 418-9, 45; 248/218.4, 219.2

[57] CLAIM

The ornamental design for a combined camper jack and bracket, as shown and described.

DESCRIPTION

FIG. 1 is a front, side and end perspective view of the combined camper jack and bracket;

FIG. 2 is a top plan view of the combined camper jack and bracket;

FIG. 3 is a bottom plan view of the combined camper jack and bracket;

FIG. 4 is a right side elevational view of the combined camper jack and bracket;

FIG. 5 is a front elevational view of the combined camper jack and bracket;

FIG. 6 is a left side elevational view of the combined camper jack and bracket; and,

FIG. 7 is a rear elevational view of the combined camper jack and bracket.

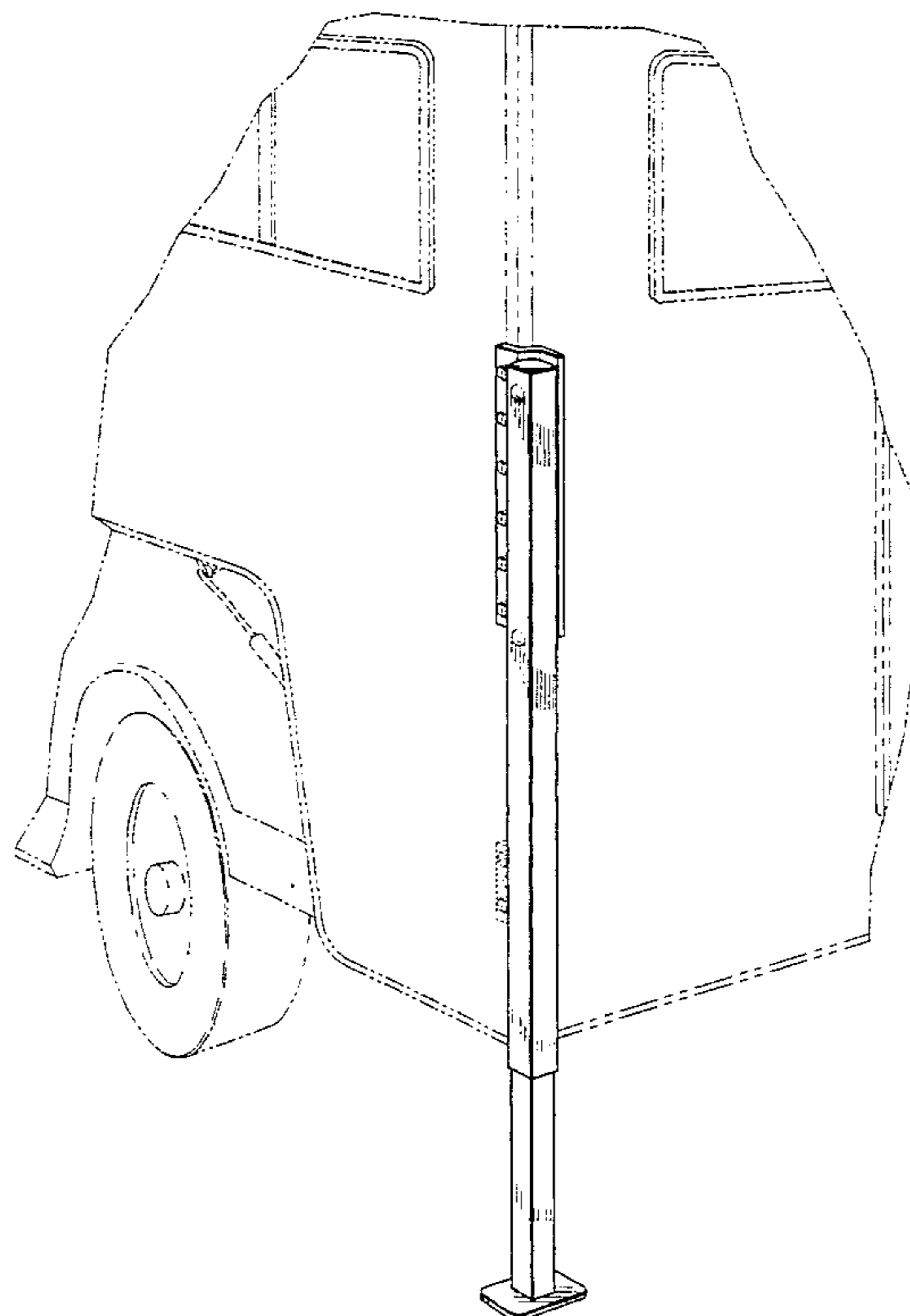
The broken lines portion of the illustration of a camper body in FIGS. 1 through 3 are for illustrative purposes only and forms no part of the claimed design for the combined camper jack and bracket.

[56] References Cited

U.S. PATENT DOCUMENTS

D. 297,411	8/1988	Angel	D8/354
D. 356,416	3/1995	Winslow	D34/31
2,201,826	5/1940	Ditchfield	248/200
2,477,466	7/1949	Richardson	403/384 X
2,583,923	1/1952	Anschuetz	.	
3,148,795	9/1964	Leach	254/45 X
3,338,554	8/1967	Gostomski	254/45 X
3,549,027	12/1970	Batson	214/38
3,567,271	3/1971	Gostomski	254/45 X
3,640,502	2/1972	Bargman	254/45 X
3,709,467	1/1973	Mann	254/45
3,733,051	5/1973	Bollinger	D34/31
3,758,074	9/1973	Jeffries et al.	254/45
3,897,044	7/1975	Tallman	254/45

1 Claim, 4 Drawing Sheets



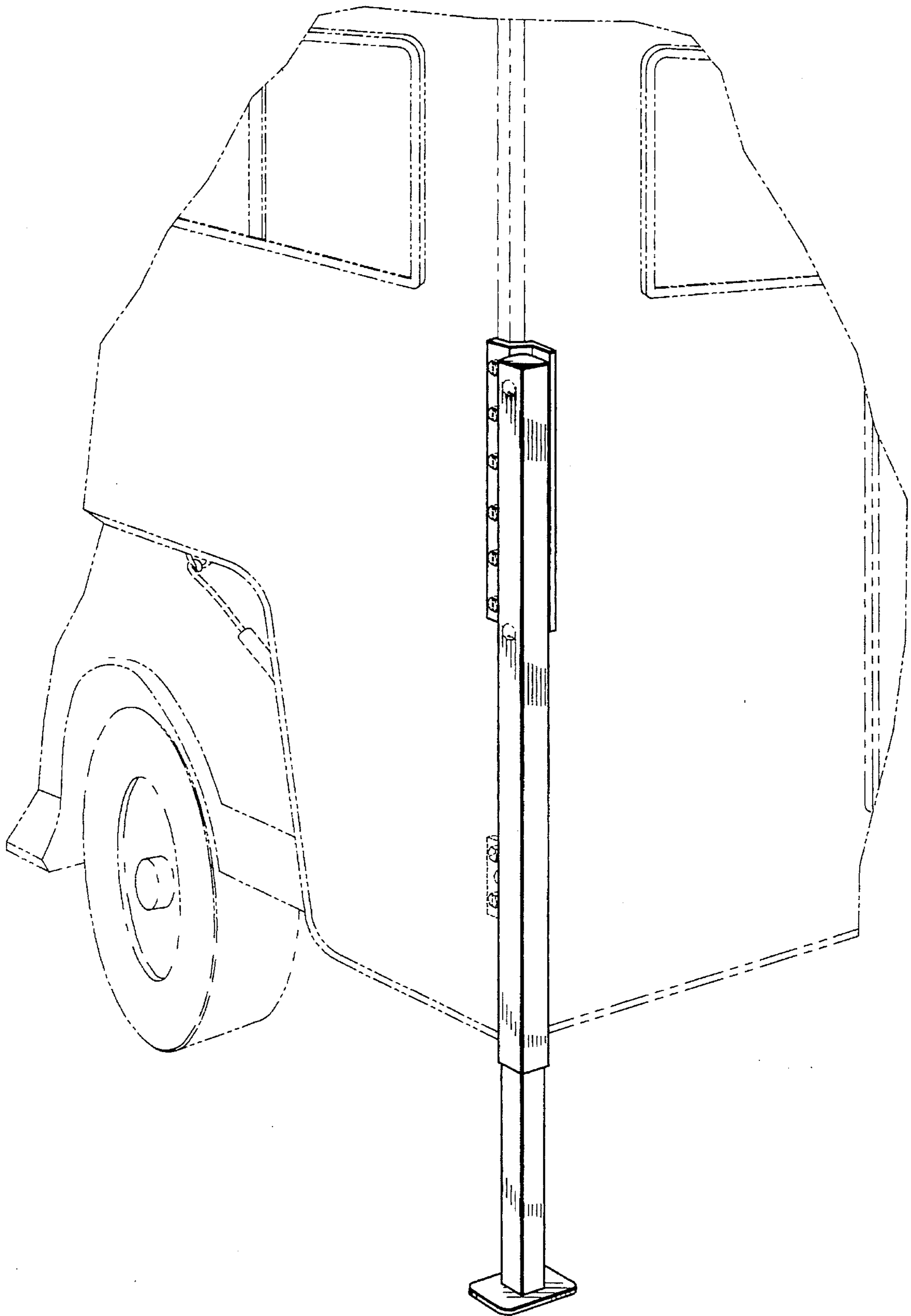


FIG. 1

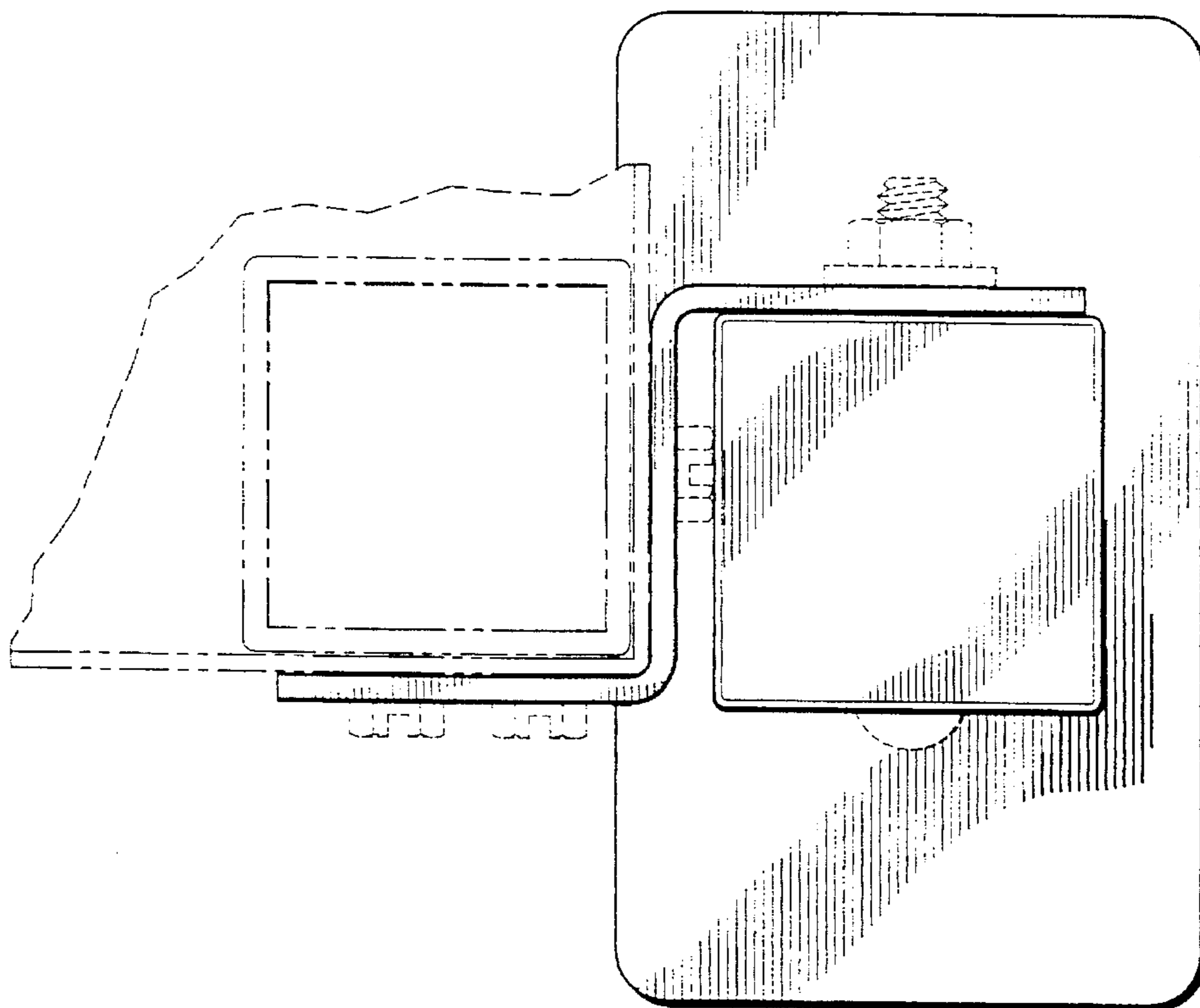


FIG. 2

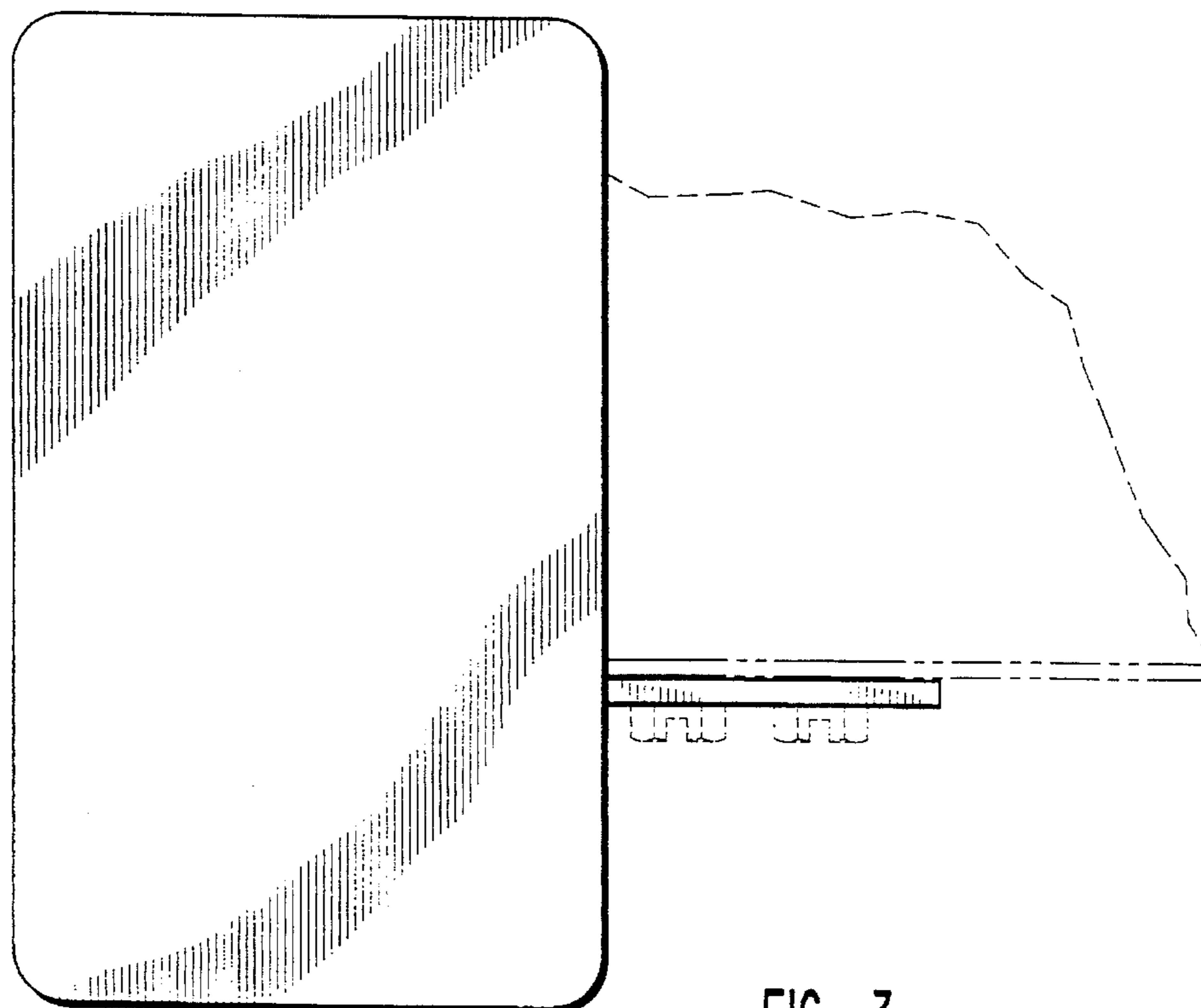


FIG. 3

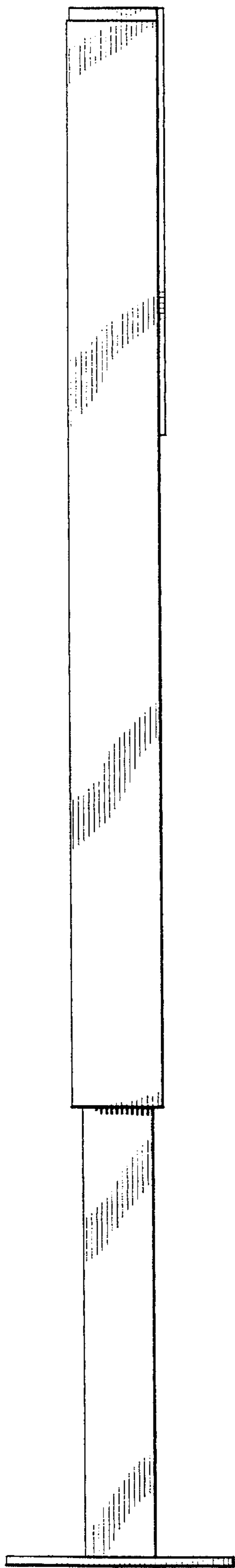


FIG. 4

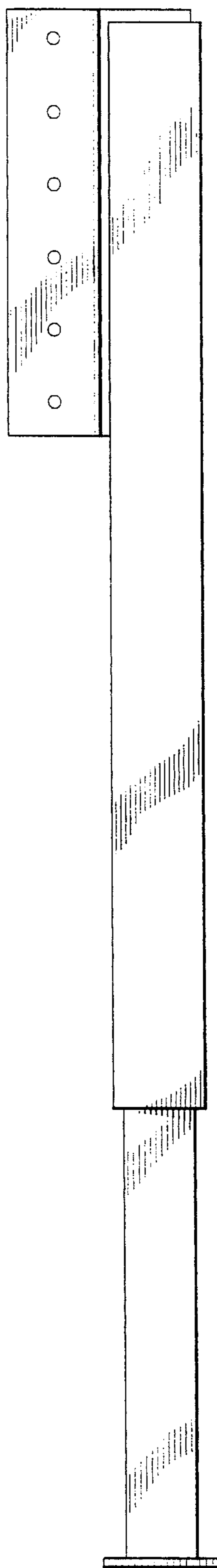


FIG. 5

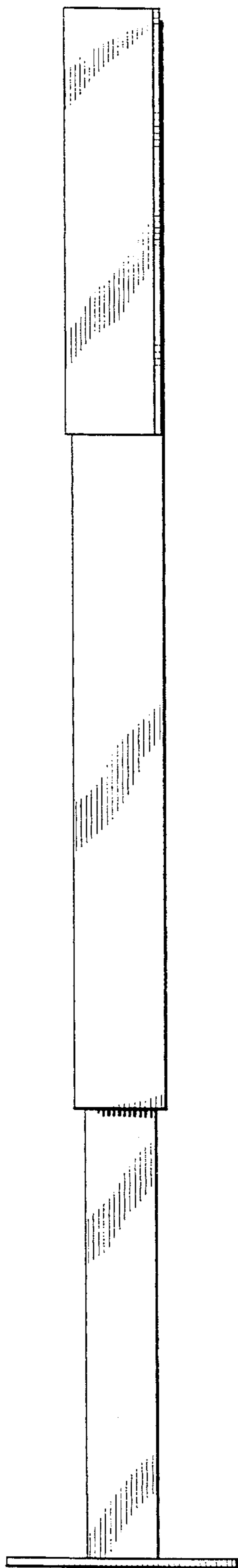


FIG. 6

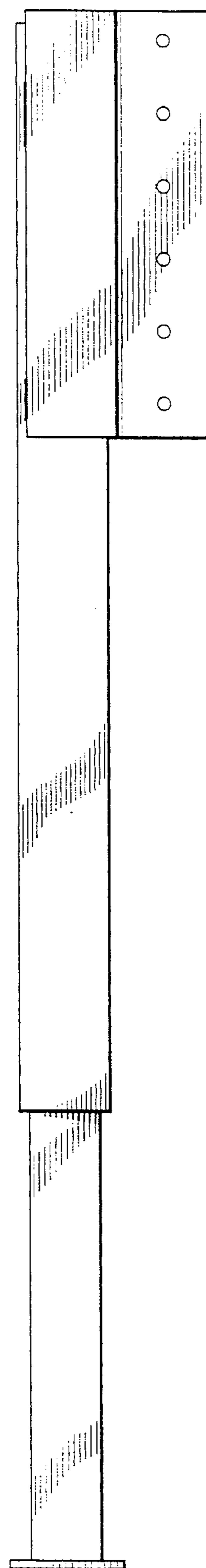


FIG. 7