



US00D376238S

United States Patent [19]
Tsai

[11] **Patent Number: Des. 376,238**
[45] **Date of Patent: **Dec. 3, 1996**

[54] **LUGGAGE CART**

5,454,576 10/1995 Pitkanen 280/47.26

[76] Inventor: **Cheng-Hsien Tsai**, No. 103, Da-Ming
1st Rd., Tien-Tzu Hsiang, Taichung
Hsien, Taiwan

Primary Examiner—Kay H. Chin
Attorney, Agent, or Firm—Bacon & Thomas

[**] Term: **14 Years**

[57] **CLAIM**

The ornamental design for a luggage cart, as shown and described.

[21] Appl. No.: **40,372**

DESCRIPTION

[22] Filed: **Jun. 16, 1995**

[52] U.S. Cl. **D34/26; D34/24**

[58] Field of Search D34/24, 25, 26,
D34/12; D3/201; 280/47.26, 655, 47.27,
47.24, 47.29

FIG. 1 is a perspective view of a luggage cart showing my new design;

FIG. 2 is a front elevational view thereof;

FIG. 3 is a rear elevational view thereof;

FIG. 4 is a left side elevational view thereof;

FIG. 5 is a right side elevational view thereof;

FIG. 6 is a top plan view thereof;

FIG. 7 is a bottom plan view thereof; and,

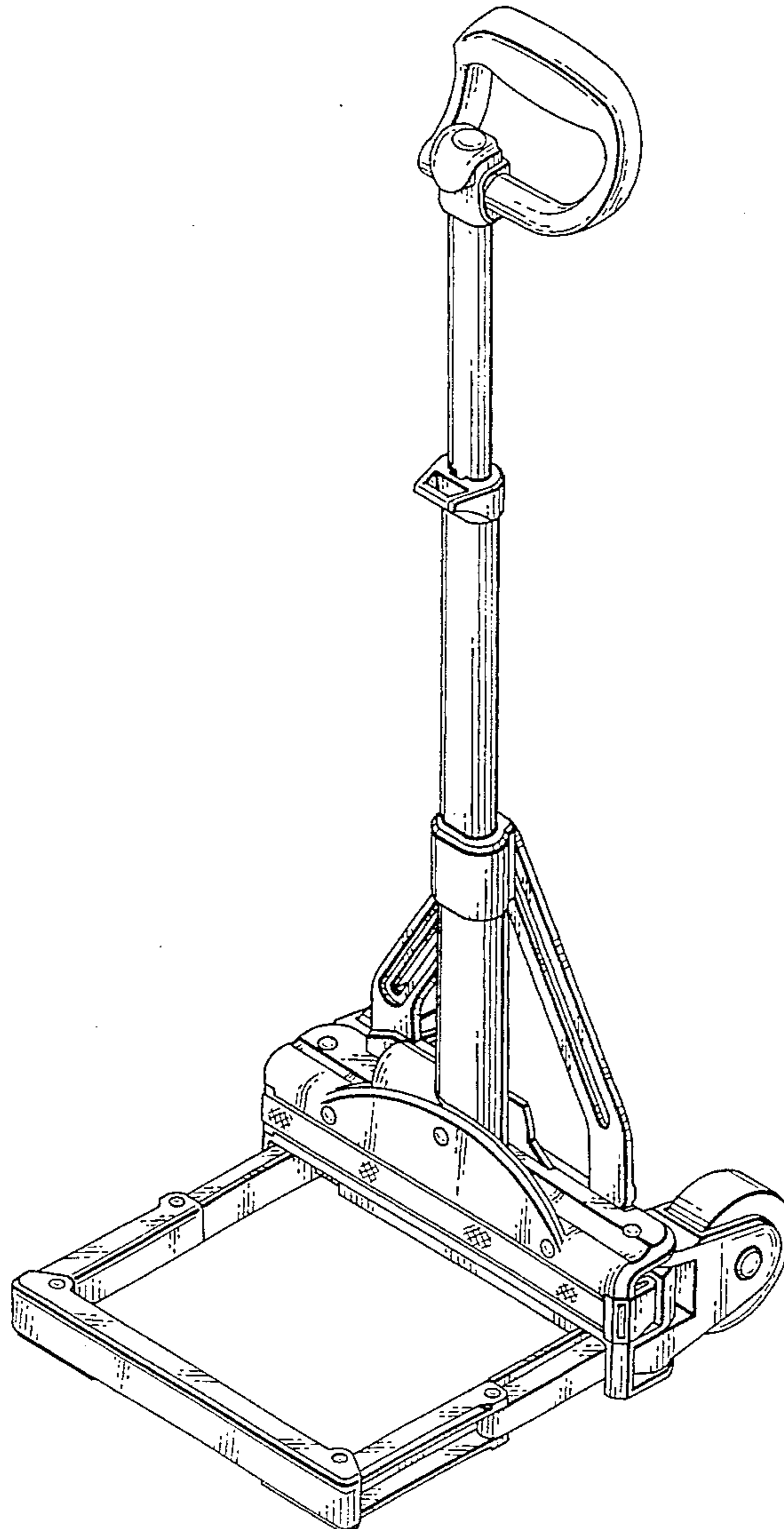
FIG. 8 is a perspective view showing the luggage cart in a collapsed condition.

[56] **References Cited**

U.S. PATENT DOCUMENTS

D. 287,779	1/1987	Siany	D34/26
D. 335,738	5/1993	Tsai	D34/26
D. 354,601	1/1995	Dunkle	D34/26
D. 356,413	3/1995	Tsai	D34/26

1 Claim, 8 Drawing Sheets



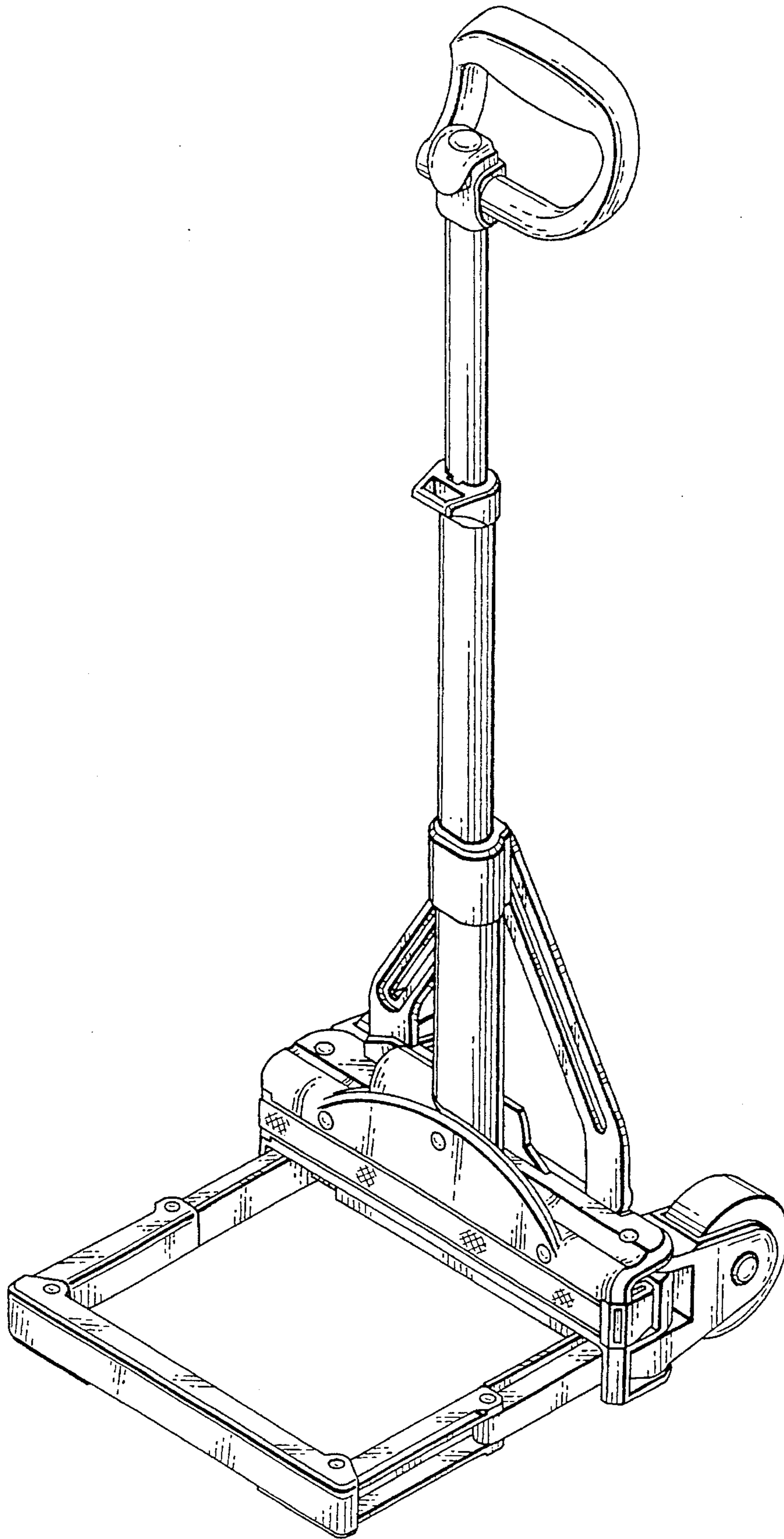


FIG. 1

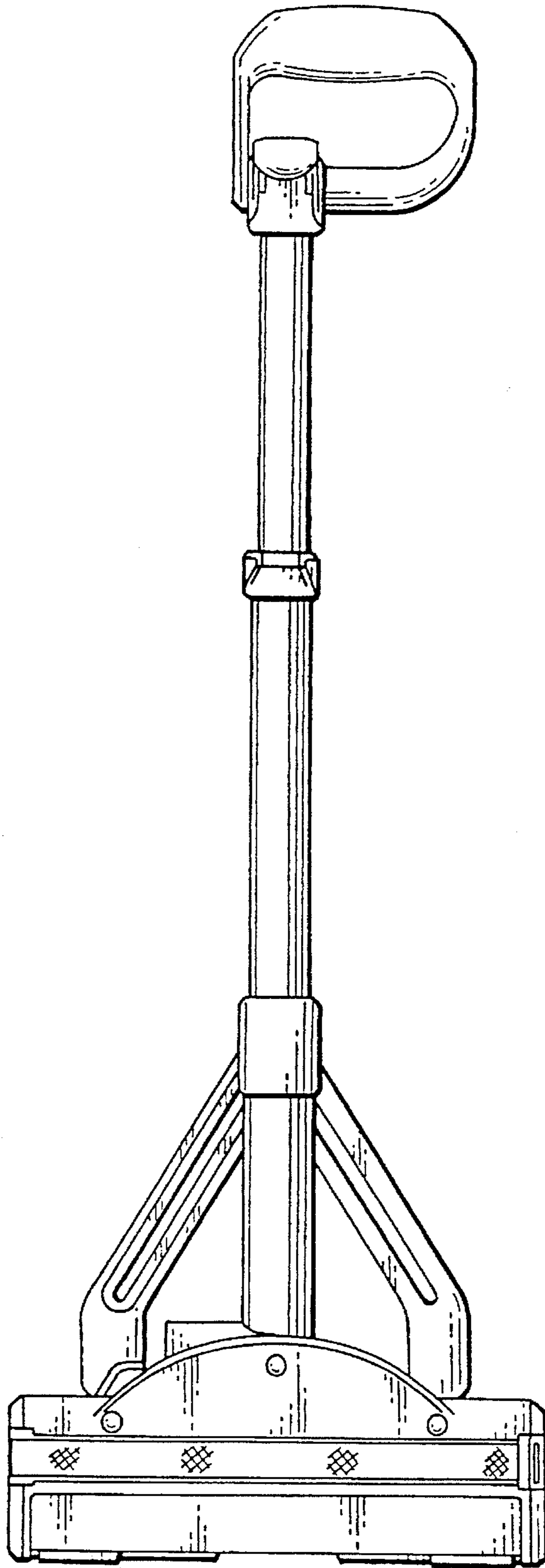


FIG. 2

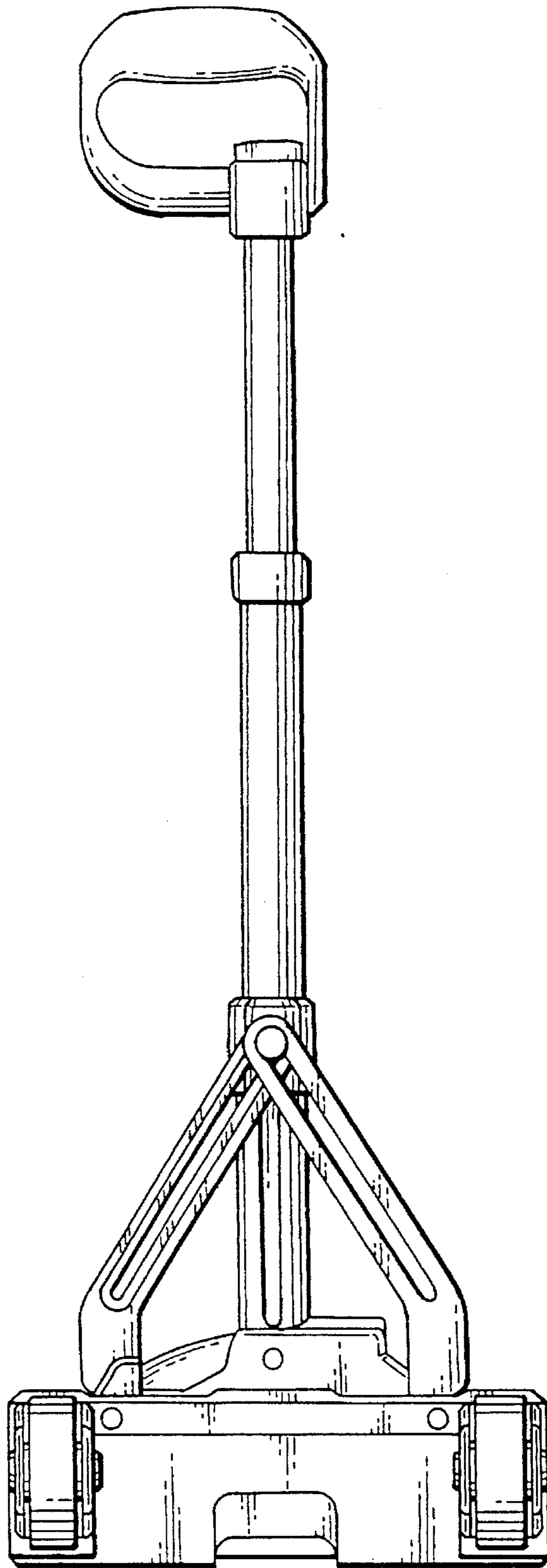


FIG. 3

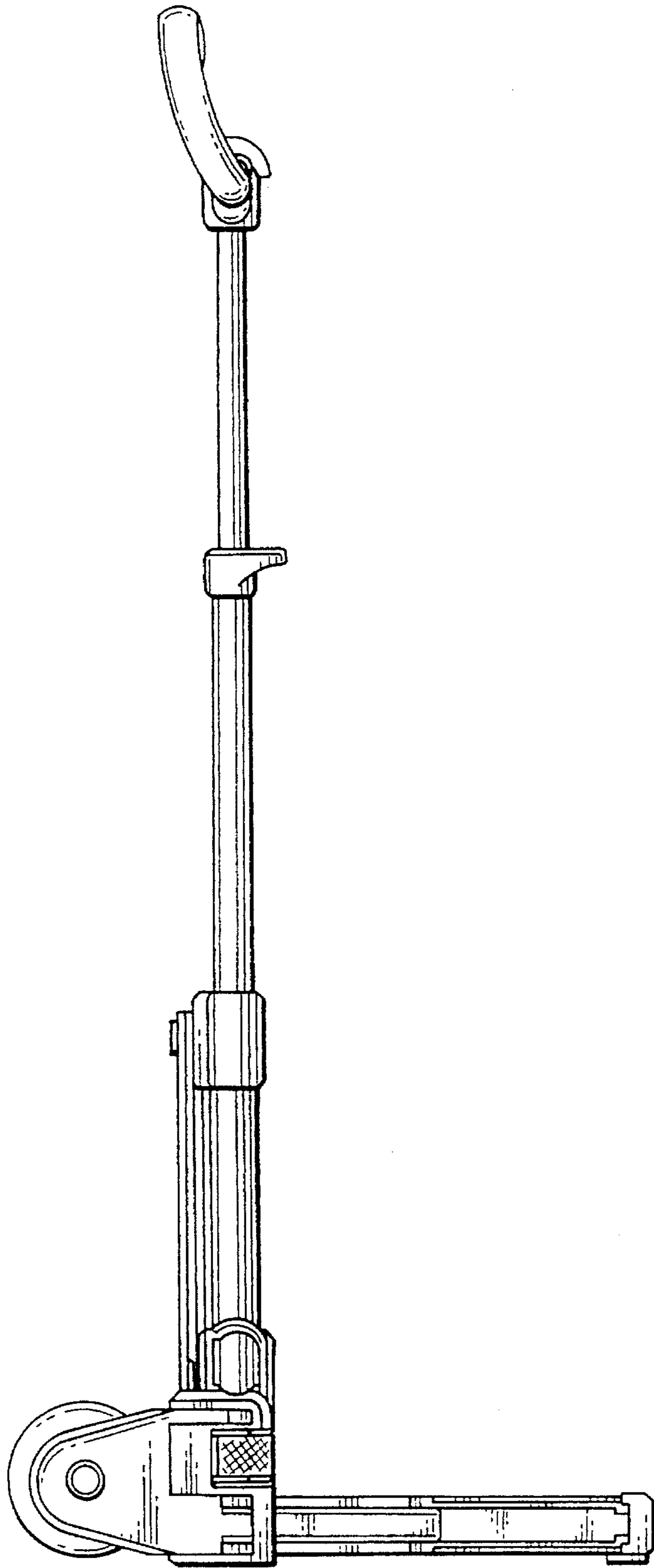


FIG. 4

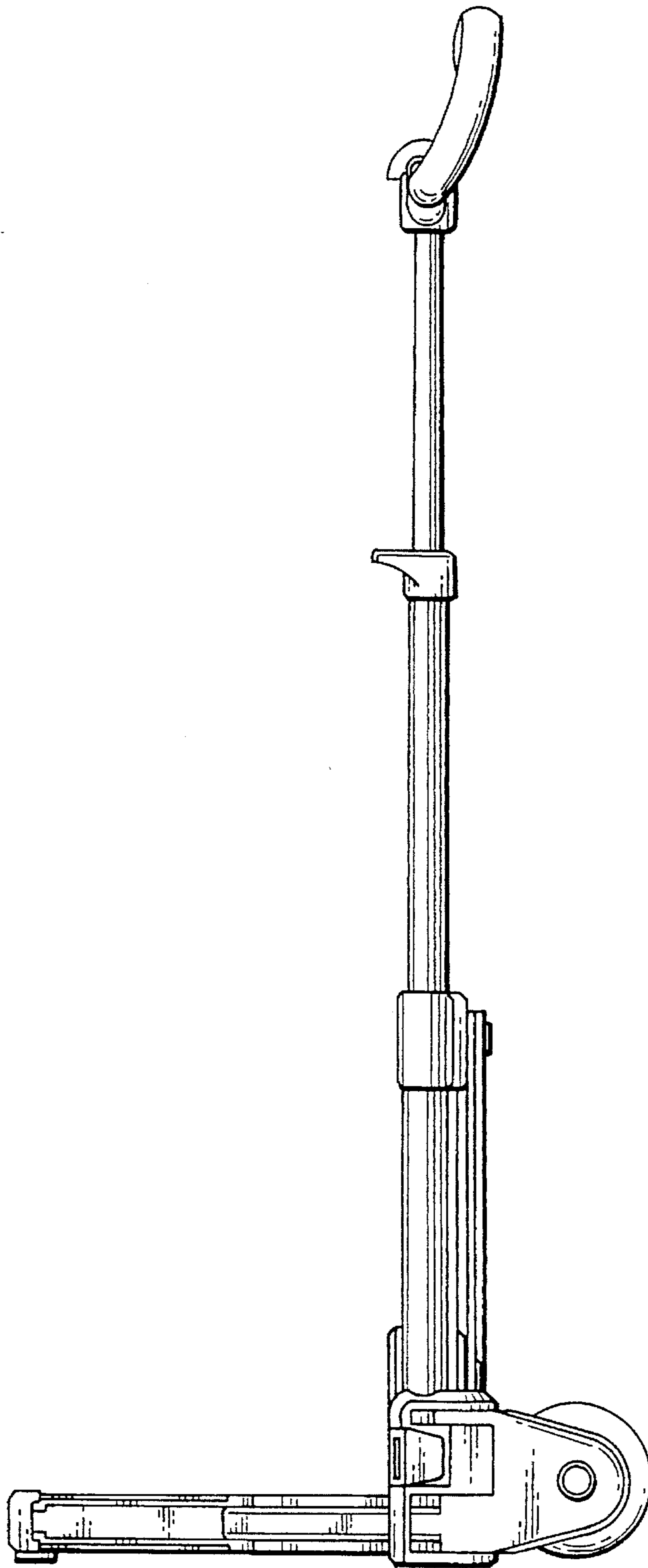


FIG. 5

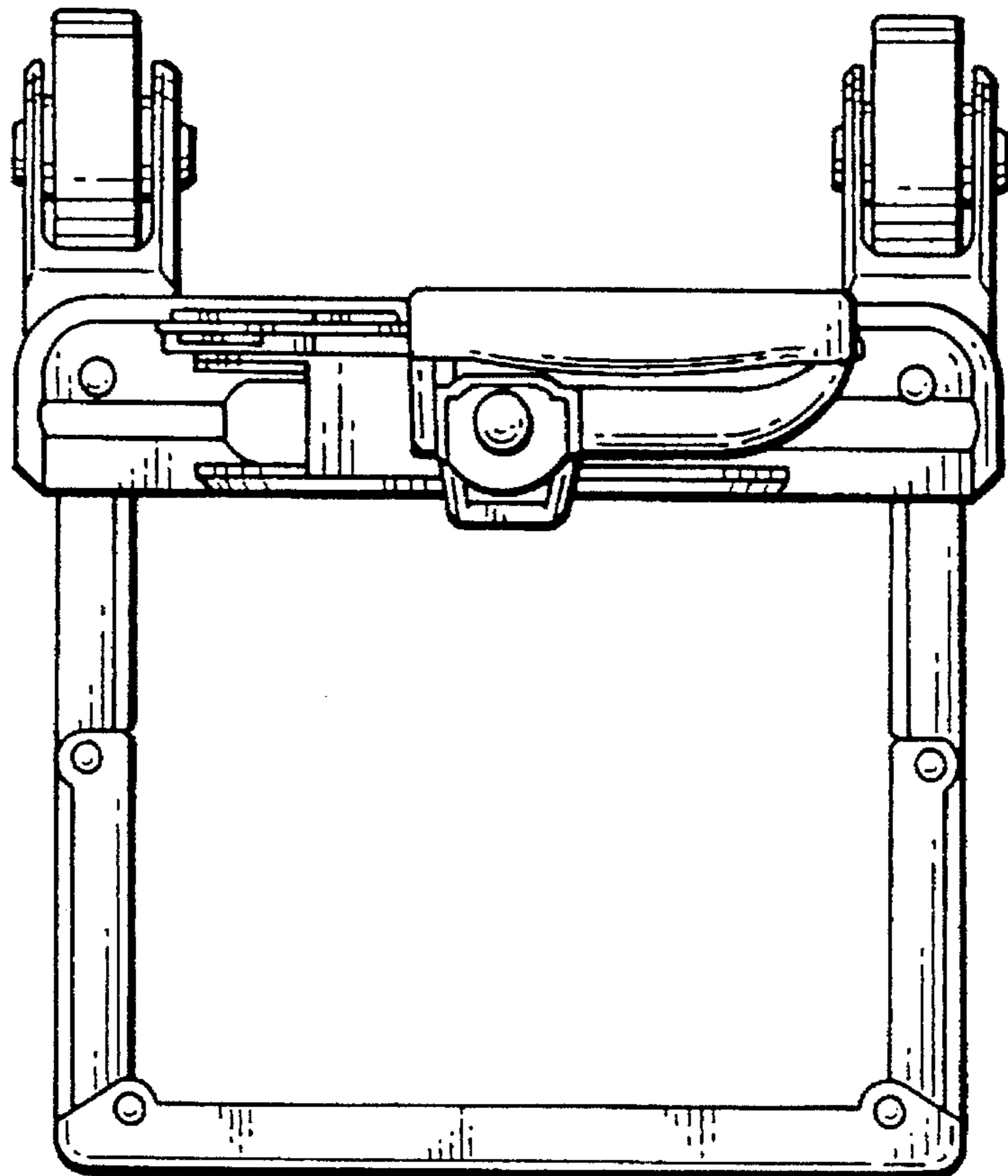


FIG. 6

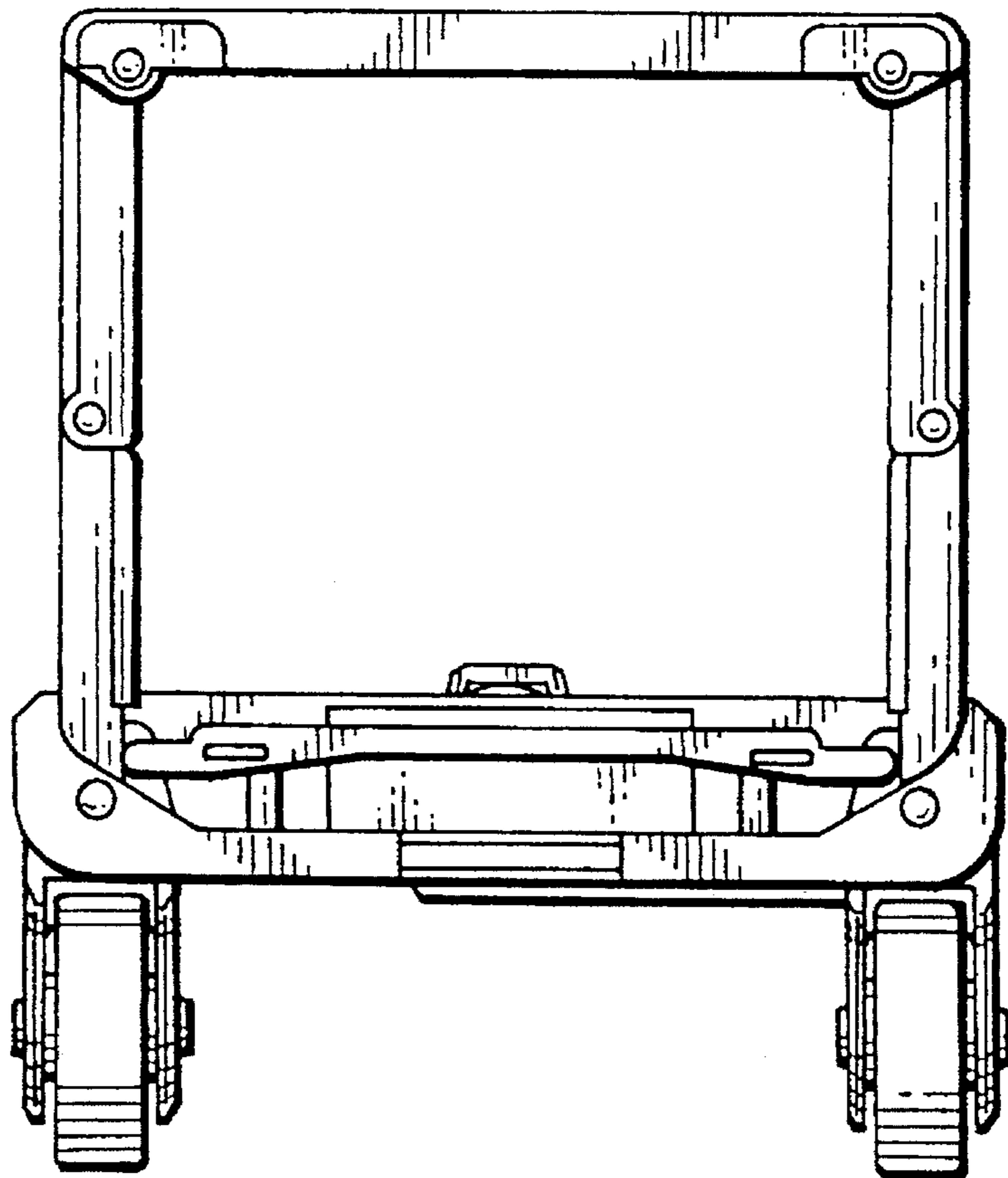


FIG. 7

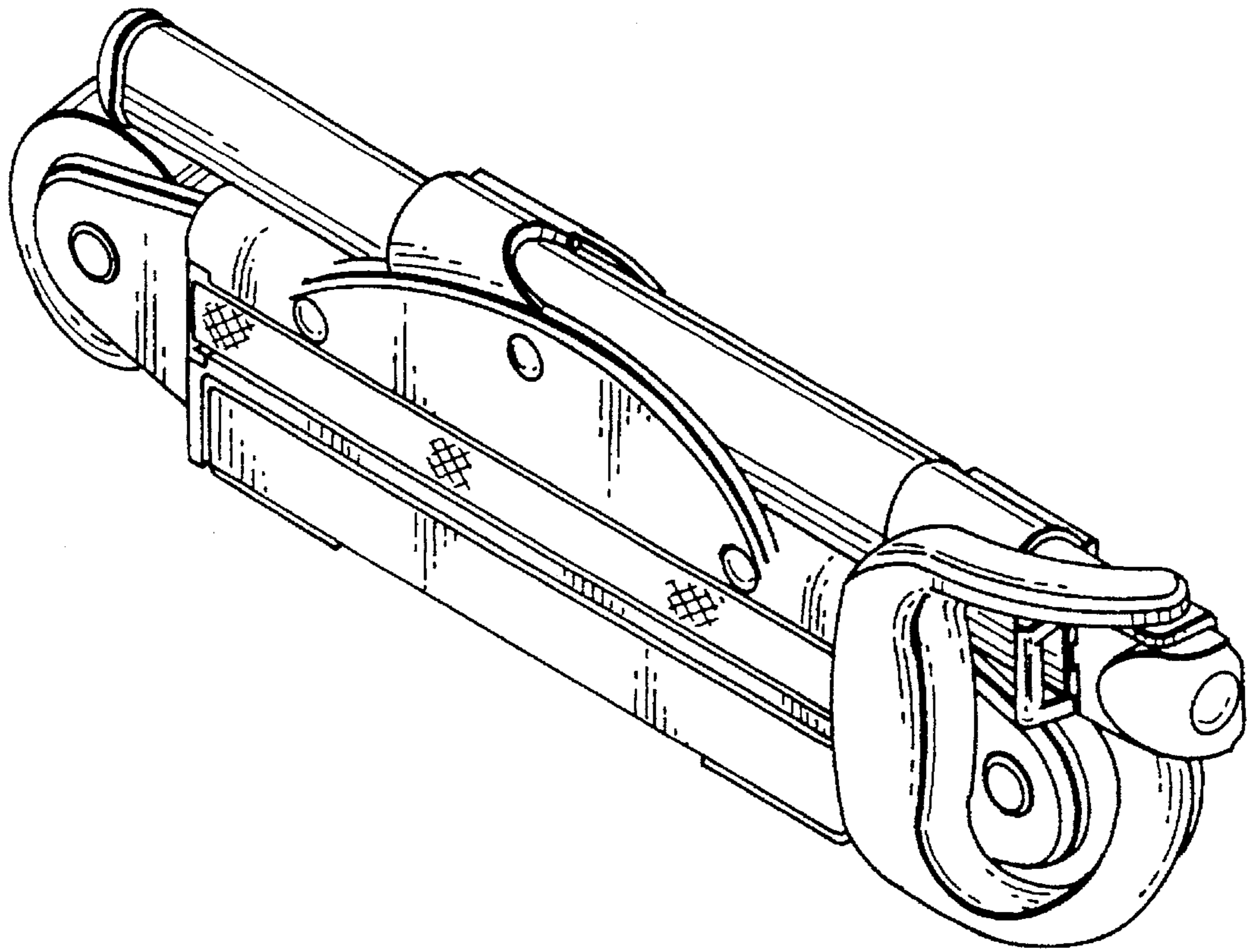


FIG. 8