



US00D376235S

United States Patent [19]

[11] Patent Number: **Des. 376,235**

Presnell

[45] Date of Patent: ****Dec. 3, 1996**

[54] REFUSE CONTAINER

[75] Inventor: **Donald C. Presnell**, Stephens City, Va.

[73] Assignee: **Rubbermaid Commercial Products, Inc.**, Winchester, Va.

[**] Term: **14 Years**

[21] Appl. No.: **43,114**

[22] Filed: **Aug. 25, 1995**

[52] U.S. Cl. **D34/1**

[58] Field of Search D34/1, 5-7; D32/37, D32/53, 53.1; 220/908-911, 404; 232/43.2

Catalog page, Refuse containers; Zarn, Inc., Reidsville, North Carolina 27320. Published at least as early as May 13, 1993.

(List continued on next page.)

Primary Examiner—A. Hugo Word
Assistant Examiner—Robin V. Taylor
Attorney, Agent, or Firm—Richard B. O'Planick; Lisa B. Riedesel

[57] CLAIM

The ornamental design for a refuse container, as shown and described.

DESCRIPTION

FIG. 1 is a top left front perspective view of a refuse container showing my new design;
FIG. 2 is a top plan view thereof;
FIG. 3 is a left side elevational view thereof;
FIG. 4 is a rear elevational view thereof;
FIG. 5 is a right side elevational view thereof;
FIG. 6 is a bottom plan view thereof;
FIG. 7 is a front elevational view thereof;
FIG. 8 is a top left front perspective view of the subject invention, shown with the environmental unclaimed features removed. The front elevational and rear elevational views would be as depicted in FIGS. 2 and 7;
FIG. 9 is a top plan view of FIG. 8;
FIG. 10 is a left side elevational view of FIG. 8;
FIG. 11 is a right side elevational view of FIG. 8; and
FIG. 12 is a bottom plan view of FIG. 8.
The broken lines are for illustrative purposes only and forms no part of the claimed design.
The vertical dashed lines in FIGS. 1, 3 and 5 and the ribbed lines disclosed in the outer circle by the handles in the FIG. 6 view, represents a surface pattern forming not part of the claimed design.

[56] References Cited

U.S. PATENT DOCUMENTS

D. 201,055	5/1965	Ebert	D34/1
D. 205,319	7/1966	Klein	D34/5
D. 208,675	9/1967	Gardner	D32/37
D. 218,359	8/1970	Marsh	D49/35
D. 218,636	9/1970	Mangold et al.	D34/7
D. 231,184	4/1974	Brown et al.	D7/189
D. 233,127	10/1974	Karn	D7/194

(List continued on next page.)

OTHER PUBLICATIONS

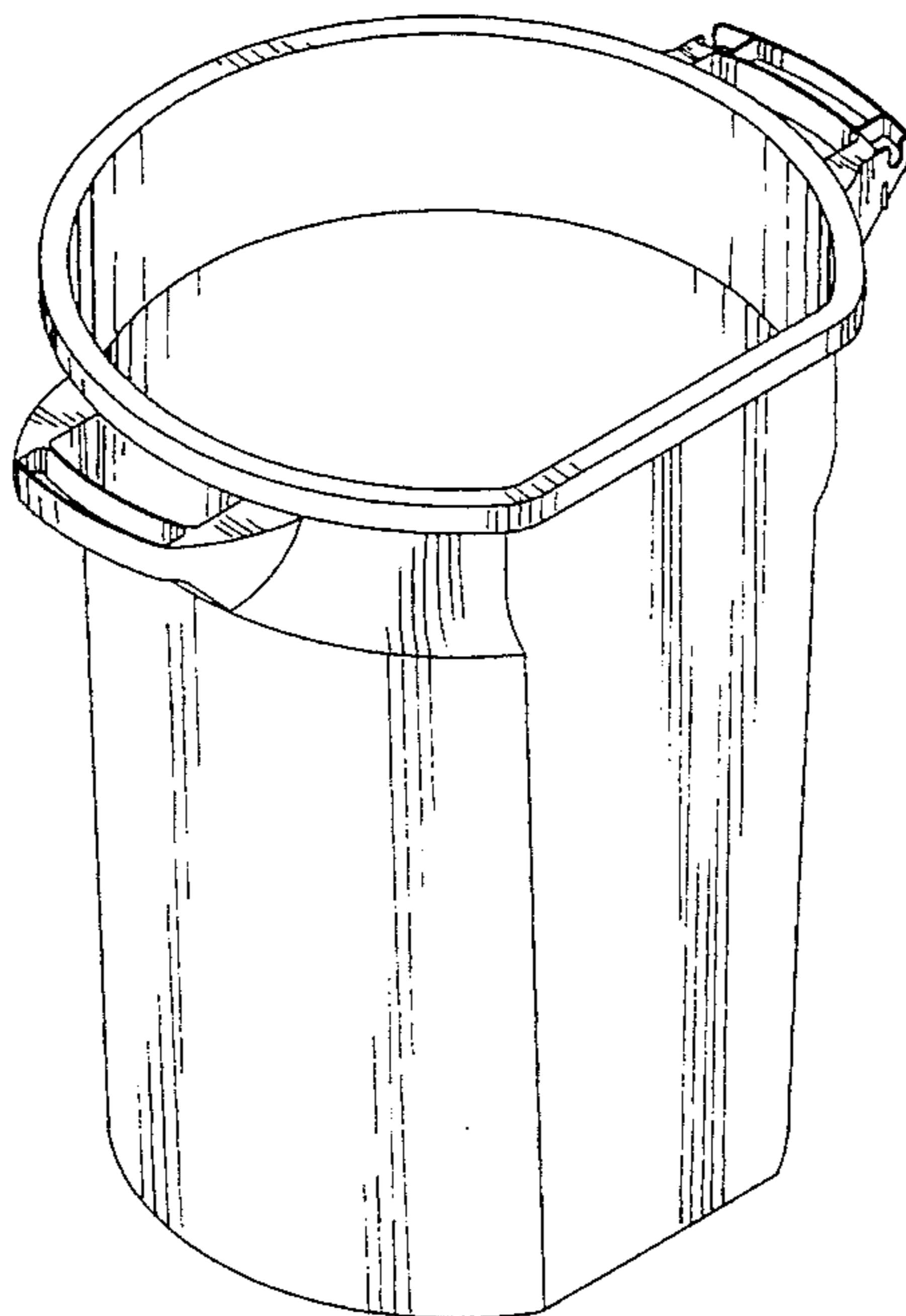
Sell sheet, Refuse container; Sterilite Corporation, P. O. Box 524, Townsend, Massachusetts 01469. Publication date 1992.

Sell sheet, Refuse container; Toter Incorporated, P. O. Box 5338, 841 Meacham Road, Statesville, North Carolina 28677, Publication date Apr. 1992.

Sell sheet, Refuse containers; Zarn, Inc., Reidsville, North Carolina 27320. Published at least as early as Jun. 1992.

Catalog page, Refuse containers; Zarn, Inc., Reidsville, North Carolina 27320. Published at least as early as May 13, 1993.

1 Claim, 7 Drawing Sheets



U.S. PATENT DOCUMENTS

D. 247,087	1/1978	Dickinson	D7/194
D. 253,932	1/1980	Mockler	D7/194
D. 260,229	8/1981	Maza et al.	D7/189
D. 261,569	10/1981	Darois	D34/39
D. 261,720	11/1981	Brazis	D34/9
D. 271,248	11/1983	Maza et al.	D34/8
D. 280,459	9/1985	McClelland	D34/8
D. 281,111	10/1985	McClelland	D34/8
D. 292,638	11/1987	Carville	D34/5
D. 304,253	10/1989	Skalka	D34/6
D. 311,982	11/1990	Ladney	D34/7
D. 312,161	11/1990	Toscano	D34/11
D. 312,523	11/1990	Delmerico et al.	D34/7
D. 315,626	3/1991	Delmerico et al.	D34/5
D. 318,354	7/1991	Delmerico	D34/7
D. 321,576	11/1991	Hradisky	D34/8
D. 322,350	12/1991	Craft et al.	D34/9
D. 323,912	2/1992	Delmerico	D34/5
D. 323,914	2/1992	Doxey et al.	D34/5
D. 324,595	3/1992	Beese et al.	D34/5
D. 326,342	5/1992	Doxey et al.	D34/7
D. 326,343	5/1992	Hradisky	D34/7
D. 326,754	6/1992	Hradisky	D34/7
D. 327,756	7/1992	Klein et al.	D34/1
D. 329,930	9/1992	Delmerico et al.	D34/7
D. 332,852	1/1993	Delmerico	D34/9
D. 333,716	3/1993	Bird et al.	D34/8
D. 345,837	4/1994	Bean	D34/5
D. 347,095	5/1994	Apps et al.	D34/5
D. 349,795	8/1994	Schauer et al.	D34/5
D. 351,702	10/1994	Breen	D34/10
D. 351,703	10/1994	Breen	D34/10
D. 355,511	2/1995	Cassel	D34/1
D. 355,514	2/1995	Breen	D34/1
D. 355,739	2/1995	Bird et al.	D34/1
D. 355,741	2/1995	Craft et al.	D34/5
D. 357,779	4/1995	Breen	D34/1
D. 360,724	7/1995	Breen et al.	D34/1
2,907,491	10/1959	Gunn	220/40
4,313,612	2/1982	Rubens	280/79.1
4,351,539	9/1982	Rodolakis	280/47.26
4,440,321	4/1984	Campbell et al.	222/153
4,450,976	5/1984	Snyder et al.	220/343
4,558,799	12/1985	Hammond	220/343
4,600,113	7/1986	DeMars	220/1
4,630,752	12/1986	DeMars	220/404
4,723,686	2/1988	Pennisi	220/300
4,749,101	6/1988	Durkan	220/337
4,819,827	4/1989	DiSesa	220/318
4,836,394	6/1989	Glomski	220/1
4,917,263	4/1990	Korb	220/404
4,930,653	6/1990	Machando	220/23.4
5,004,114	4/1991	Terbrusch et al.	220/296
5,071,024	12/1991	Delmericao et al.	220/335
5,085,340	2/1992	Doxey et al.	220/298
5,088,750	2/1992	Beese et al.	280/47.26
5,090,585	2/1992	Power	220/404
5,217,136	6/1993	Sanden	220/337
5,323,923	6/1994	Schauer	220/337
5,356,027	10/1994	Craft	220/338

OTHER PUBLICATIONS

Pp. 2, 3, and 4, Refuse containers; Continental Manufacturing Company, 123 Byassee Drive, Hazelwood, Missouri 63042. Published at least as early as Oct. 1994.

Catalog page, Refuse containers; Tucker Housewares, 25 Tucker Drive, Leominster, Massachusetts 01453. Publication date 1992.

Catalog page, Refuse containers; Tucker Housewares, 25 Tucker Drive, Leominster, Massachusetts 01453. Publication date 1992.

Catalog page, Refuse containers; Tucker Housewares, 25 Tucker Drive, Leominster, Massachusetts 01453. Publication date 1992.

Catalog page, Refuse containers; Tucker Housewares, 25 Tucker Drive, Leominster, Massachusetts 01453. Publication date 1992.

Catalog page, Refuse containers; Tucker Housewares, 25 Tucker Drive, Leominster, Massachusetts 01453. Publication date 1992.

Catalog page, Refuse containers; Tucker Housewares, 25 Tucker Drive, Leominster, Massachusetts 01453. Publication date 1992.

Sell sheet, Refuse containers; Tucker Housewares, 25 Tucker Drive, Leominster, Massachusetts 01453. Publication date 1992.

Pp. 6, 7, 8 and 10, Refuse containers; Tucker Housewares, 25 Tucker Drive, Leominster, Massachusetts 01453. Published at least as early as May, 1994.

Sell sheet, Refuse container; Sears, Roebuck and Co., Chicago, Illinois 60684. Published at least as early as 1993.

Sell sheet, Refuse containers; Reuter, Inc., 410 11th Avenue South, Hopkins, Minnesota 55343. Publication date 1989.

Sell sheet, Refuse container; Bonar Plastics Ltd., address unknown. Published at least as early as 1993.

Sell sheet, Refuse container; Handelsonderneming Kiggen B.V., Den Engelsman 1, Postbus 2624, 6026 ZG Maarheeze. Published at least as early as 1993.

Sell sheet, Refuse container; Pawnee Products, 433 Industrial Road, Goddard, Kansas 67052. Published at least as early as 1993.

Sell sheet; Refuse container; White, 10770 North 46th Street, Tampa, Florida 33617. Publication date Jun. 1, 1988.

Price List, Refuse containers; Contico Manufacturing Company, 1101 Warson Road, St. Louis, Missouri 63132. Publication date Aug. 1, 1986.

Price List, Refuse containers; Contico Manufacturing Company, 1101 Warson Road, St. Louis, Missouri 63132. Publication date Aug. 1, 1986.

P. 16, Refuse containers; Rubbermaid Commercial Products Inc., 3124 Valley Avenue, Winchester, Virginia 22601. Publication date 1992.

Pp. 28 and 29, Refuse containers; Rubbermaid Incorporated, 1147 Akron Road, Wooster, Ohio 44691. Publication date 1990.

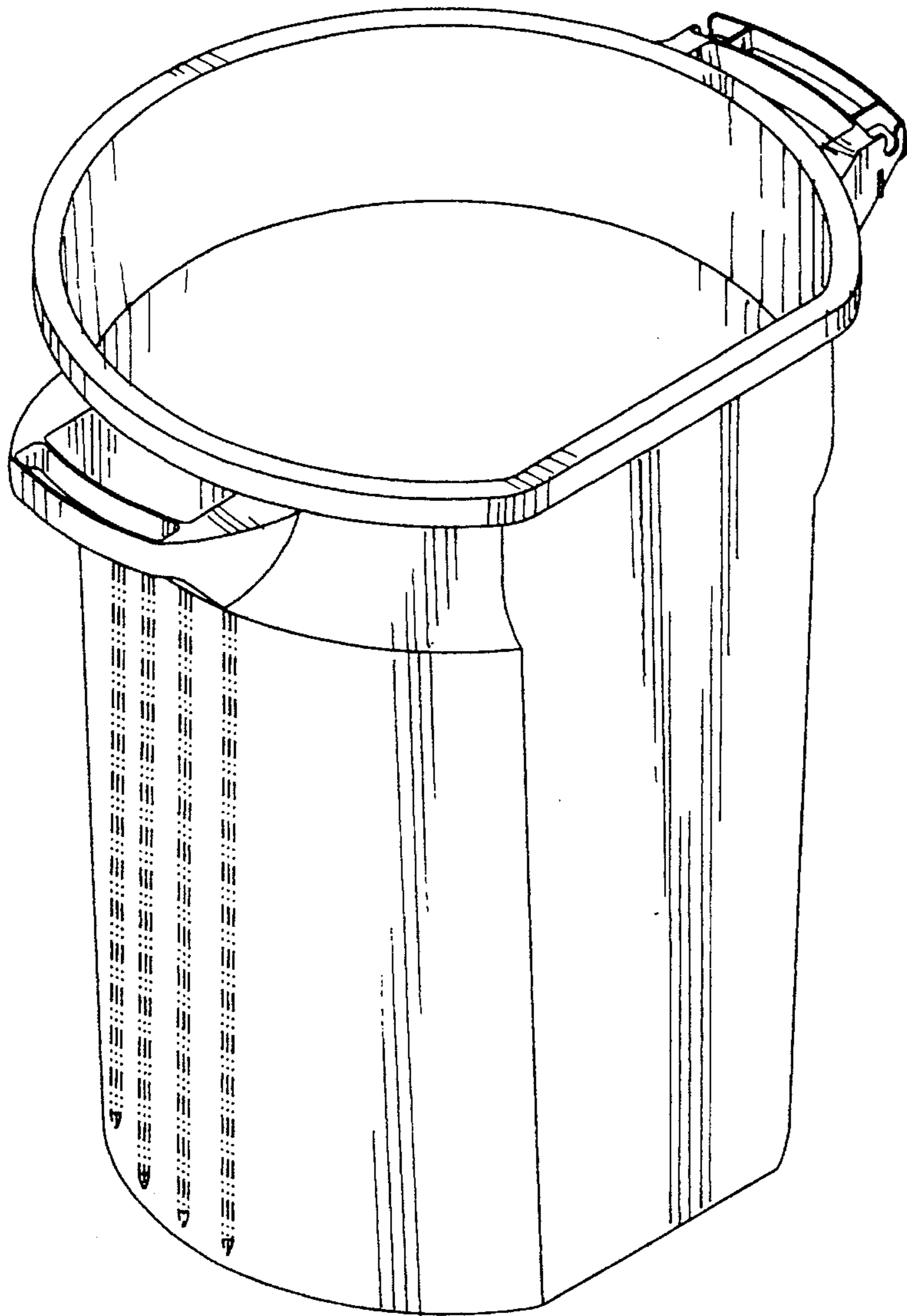


Fig-1

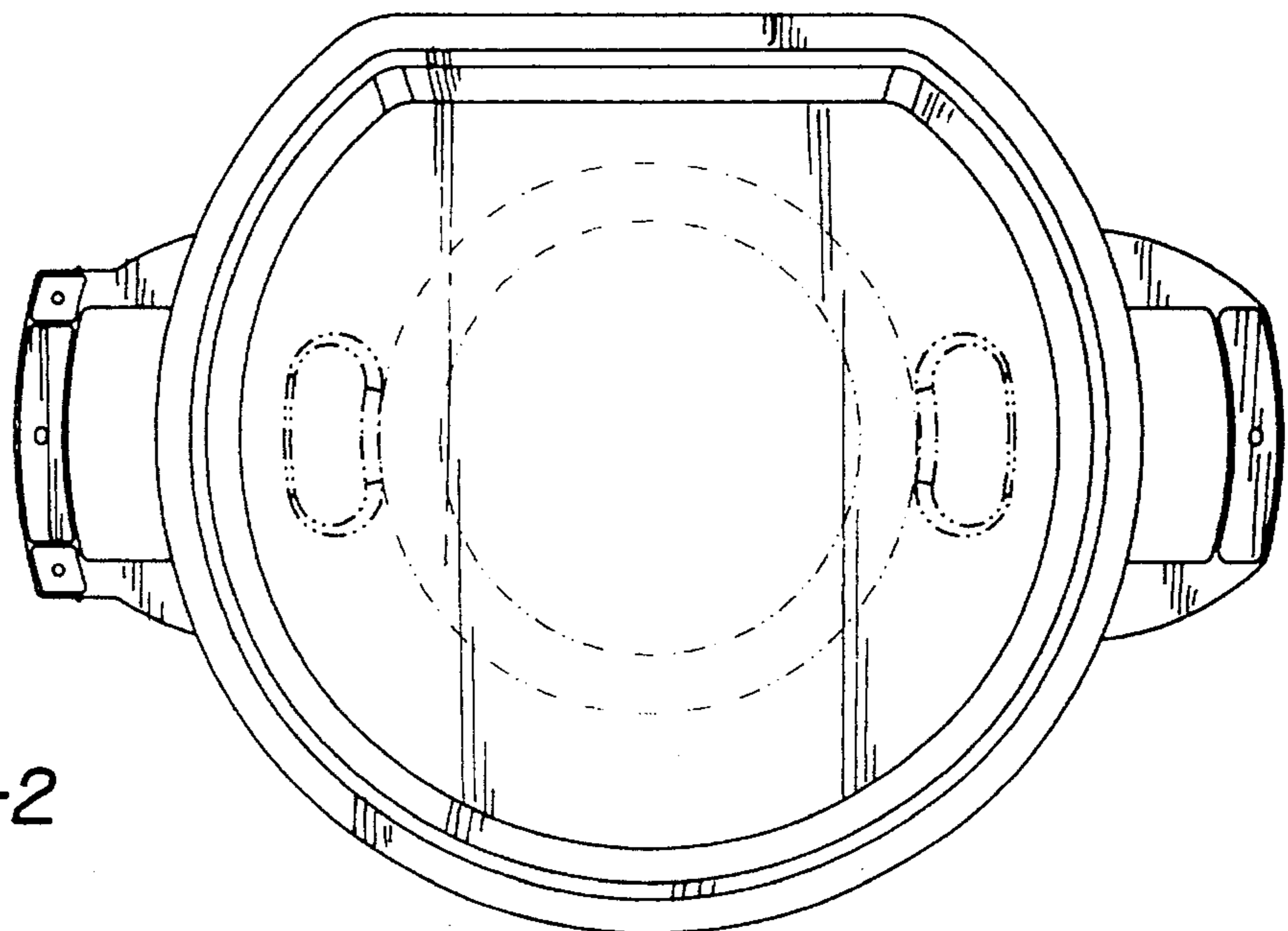


Fig-2

Fig-3

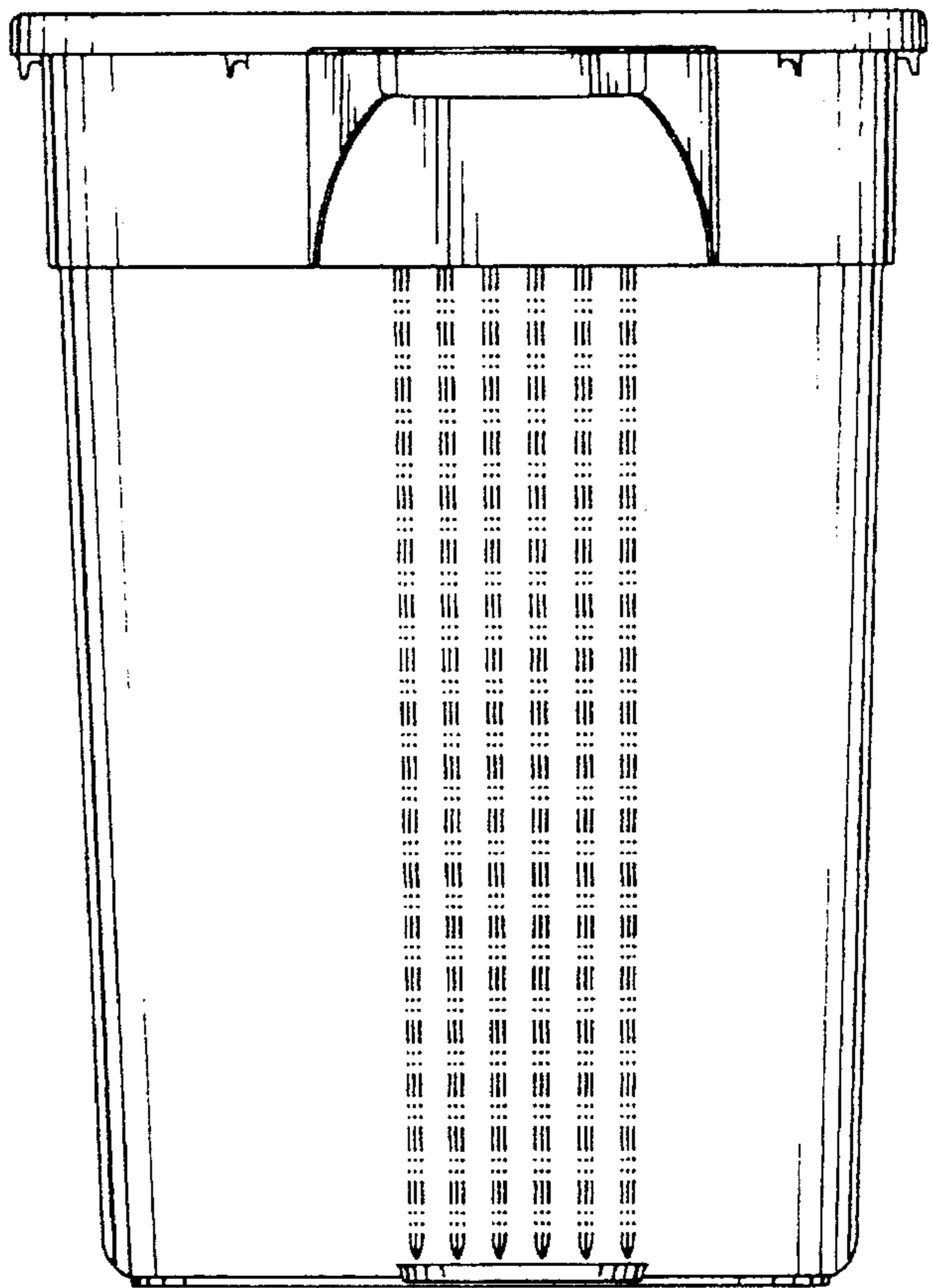


Fig-4

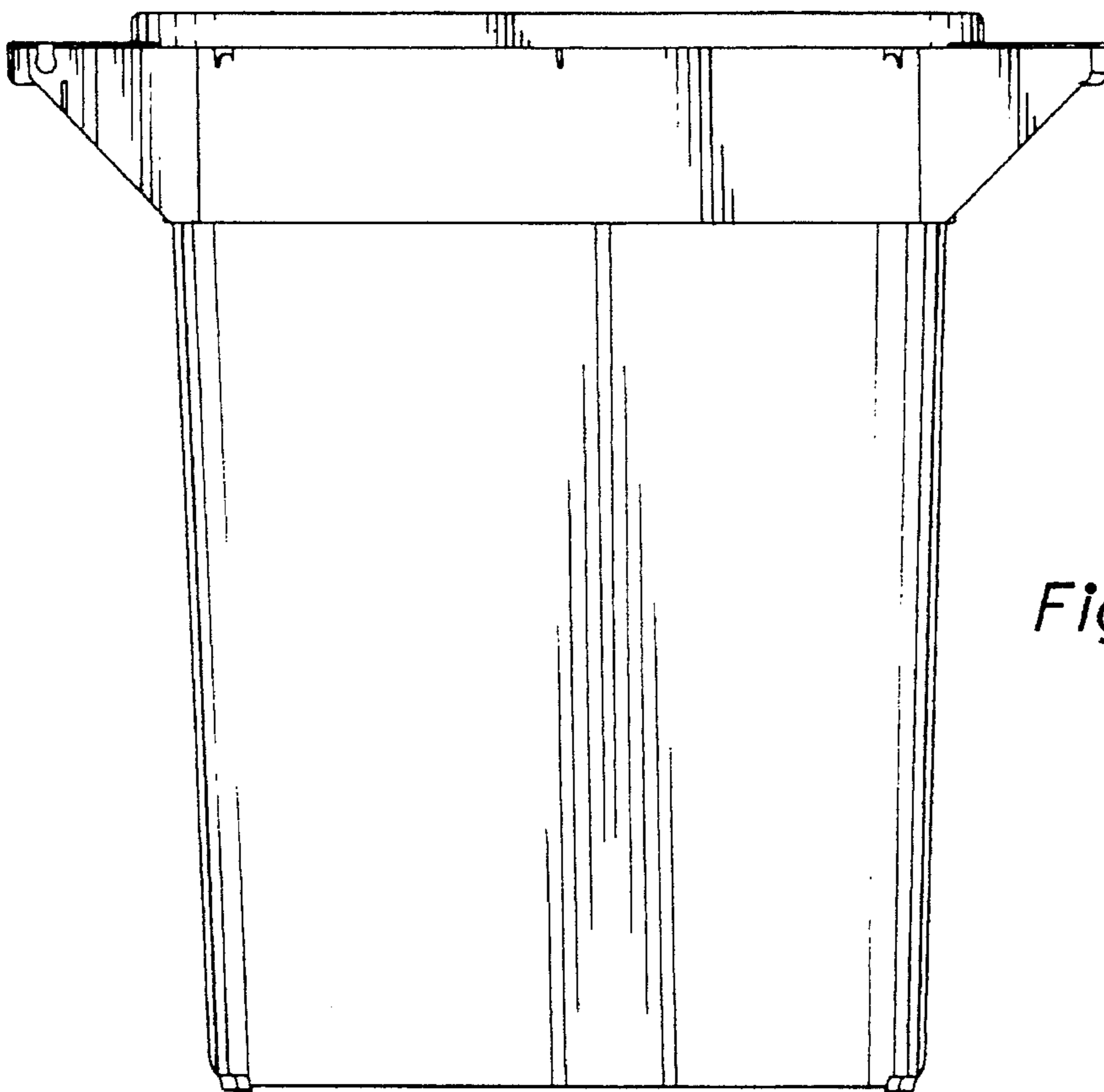


Fig-5

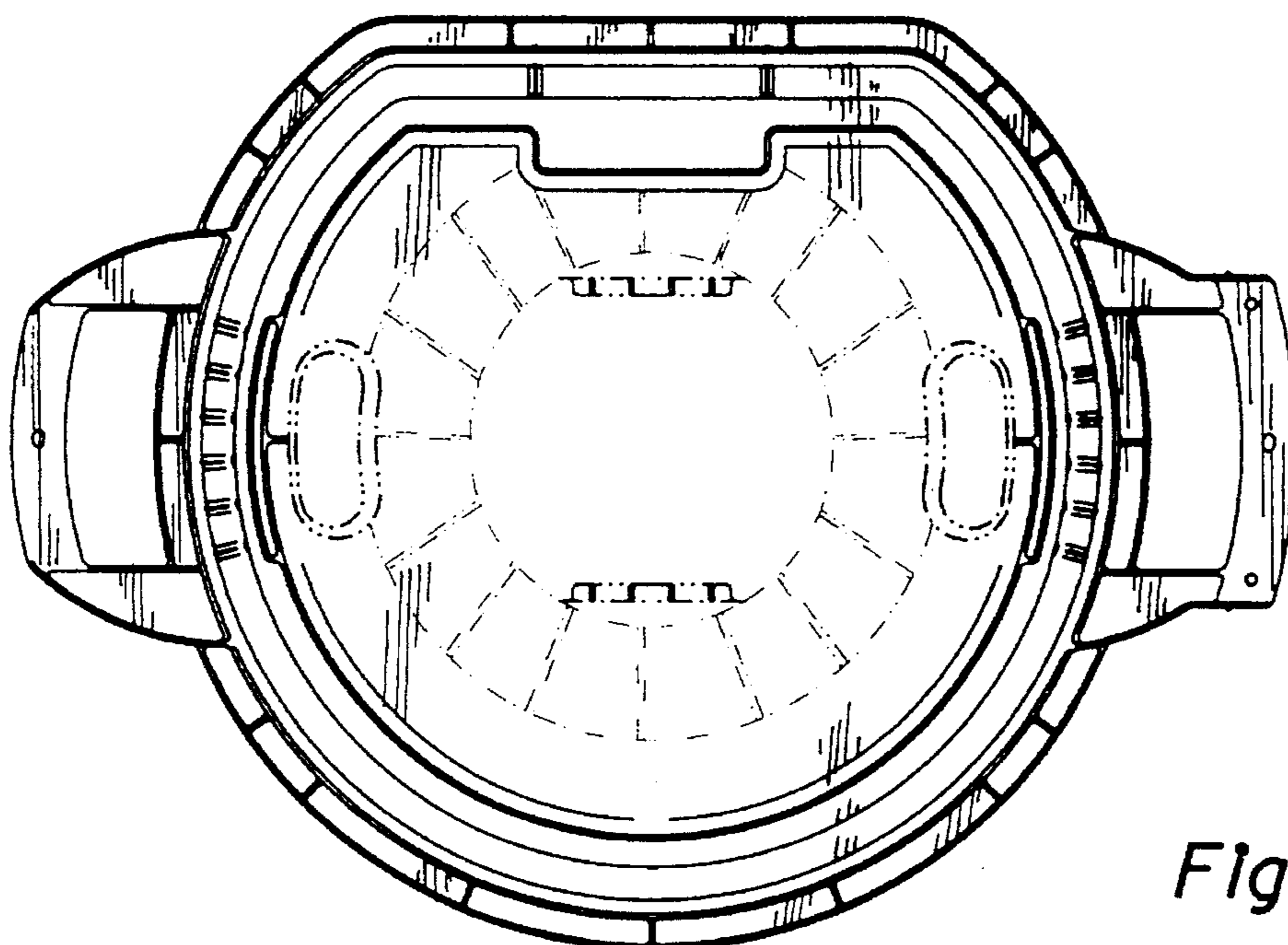
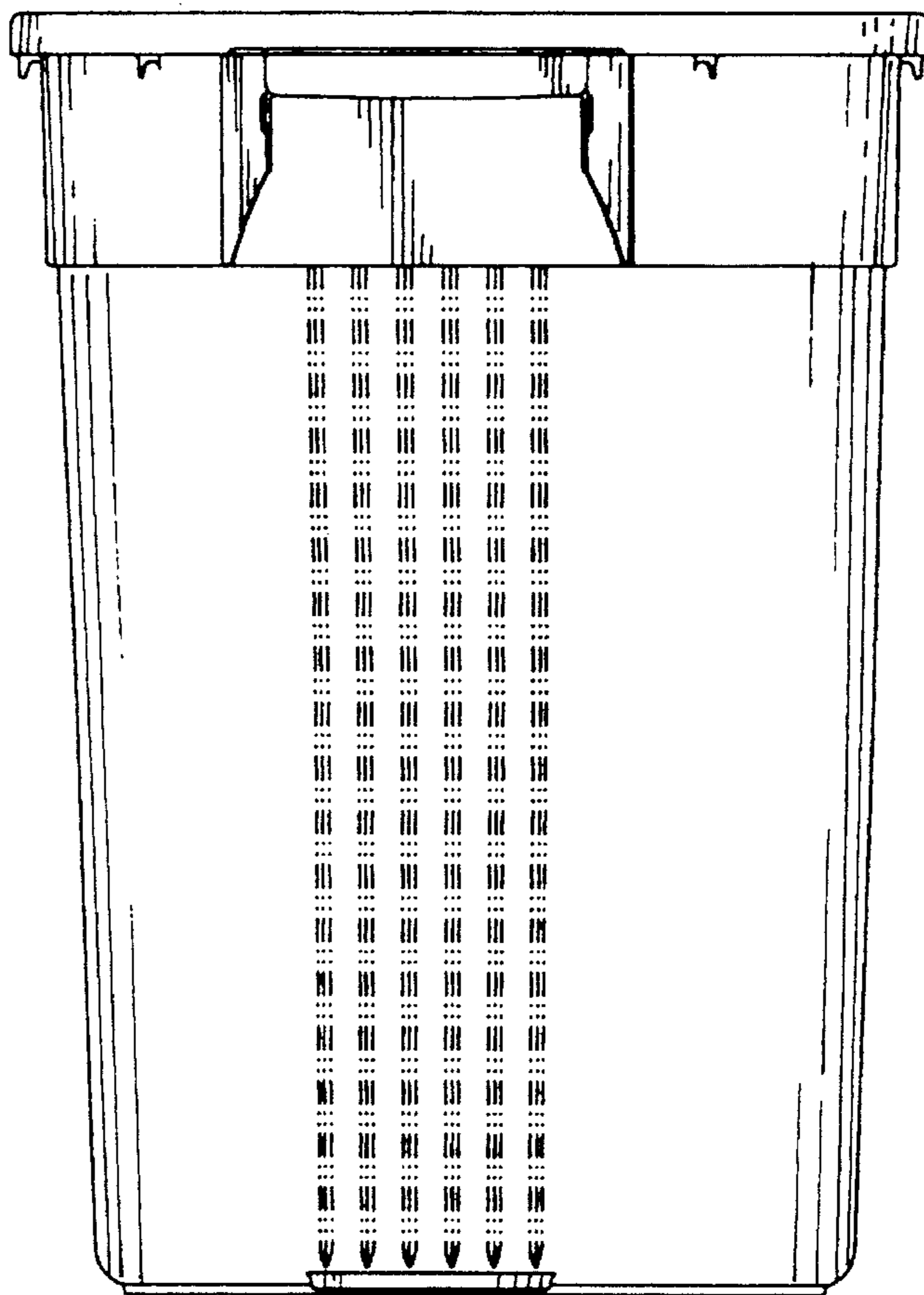


Fig-6

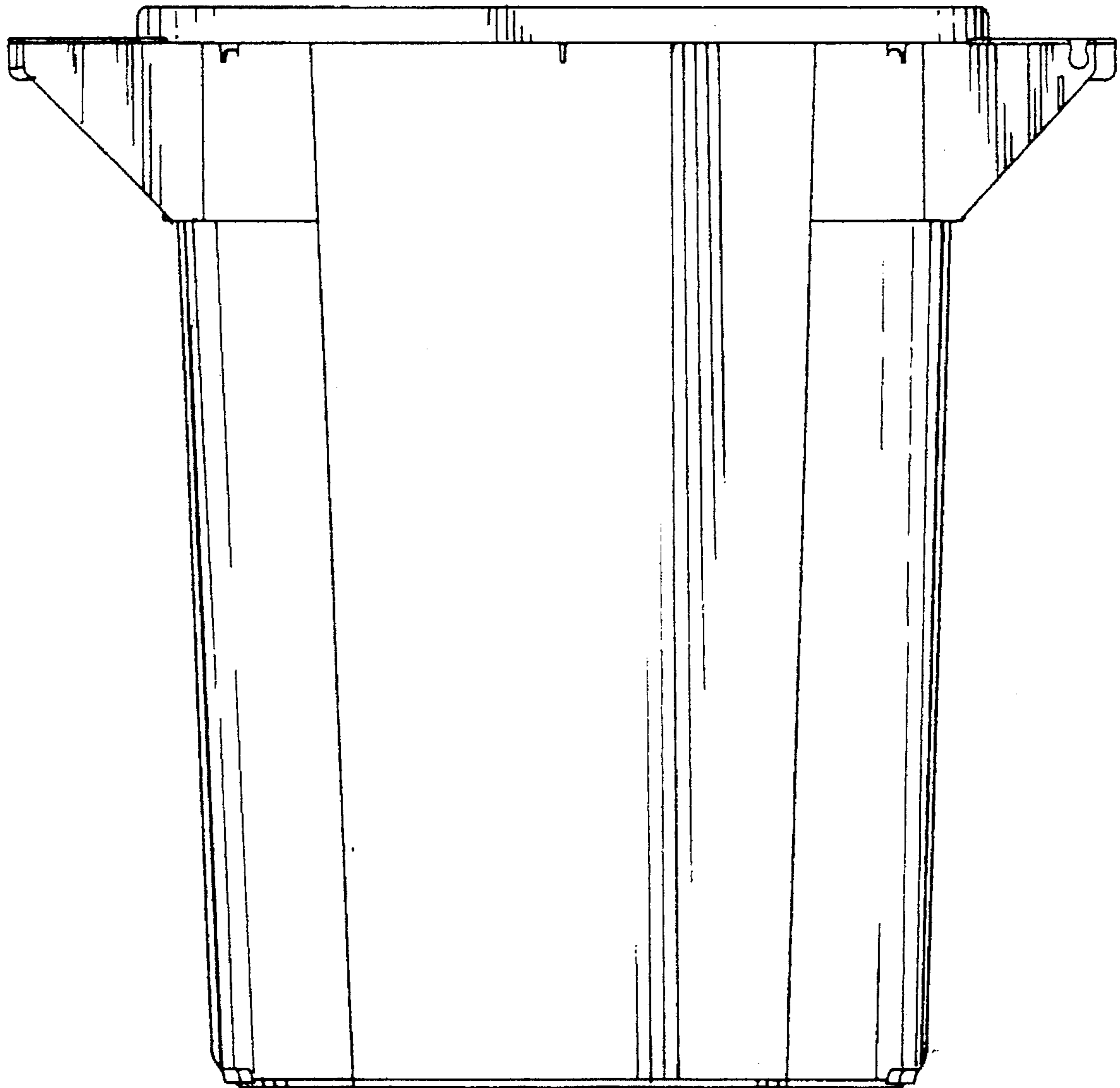


Fig-7

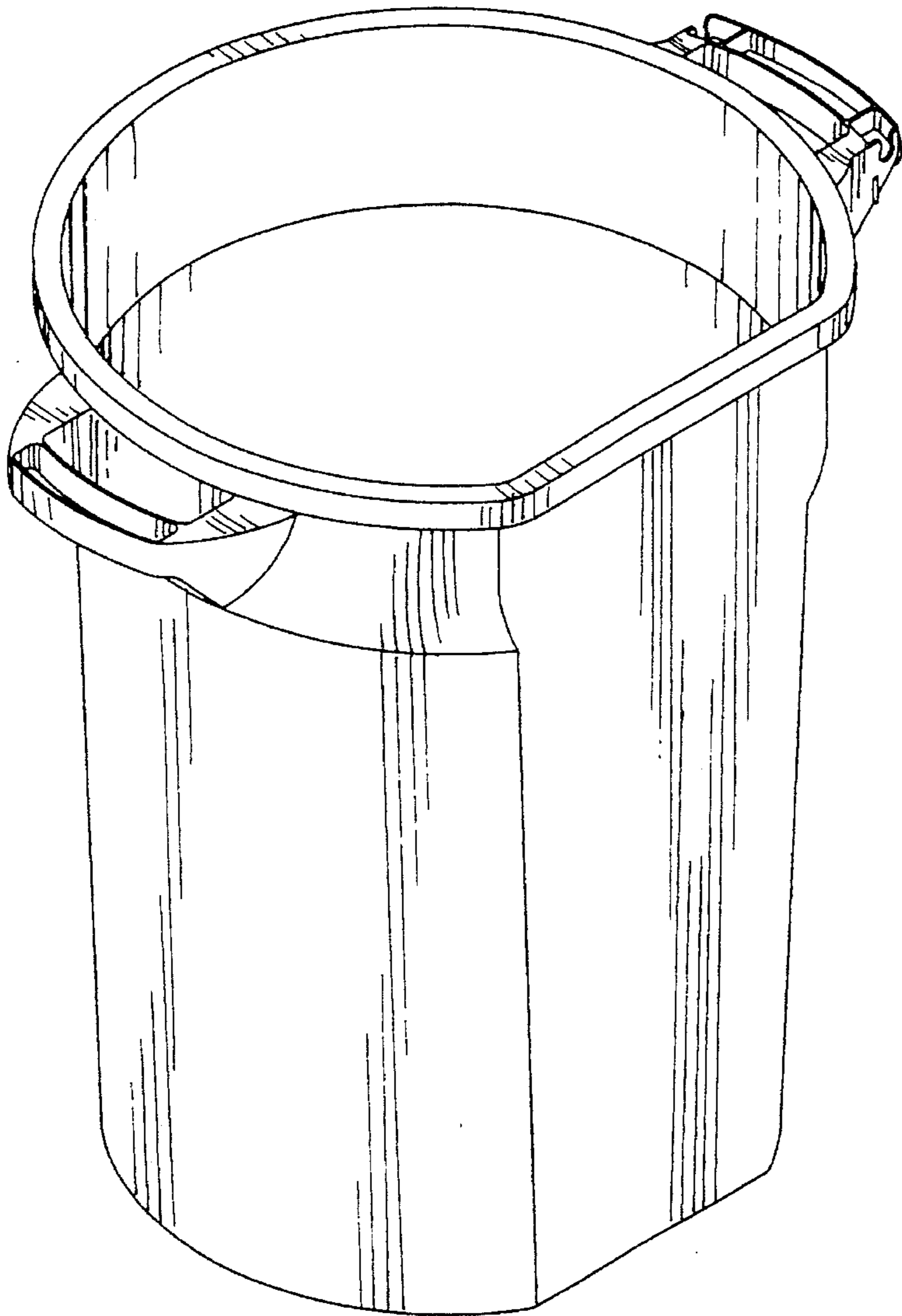


Fig-8

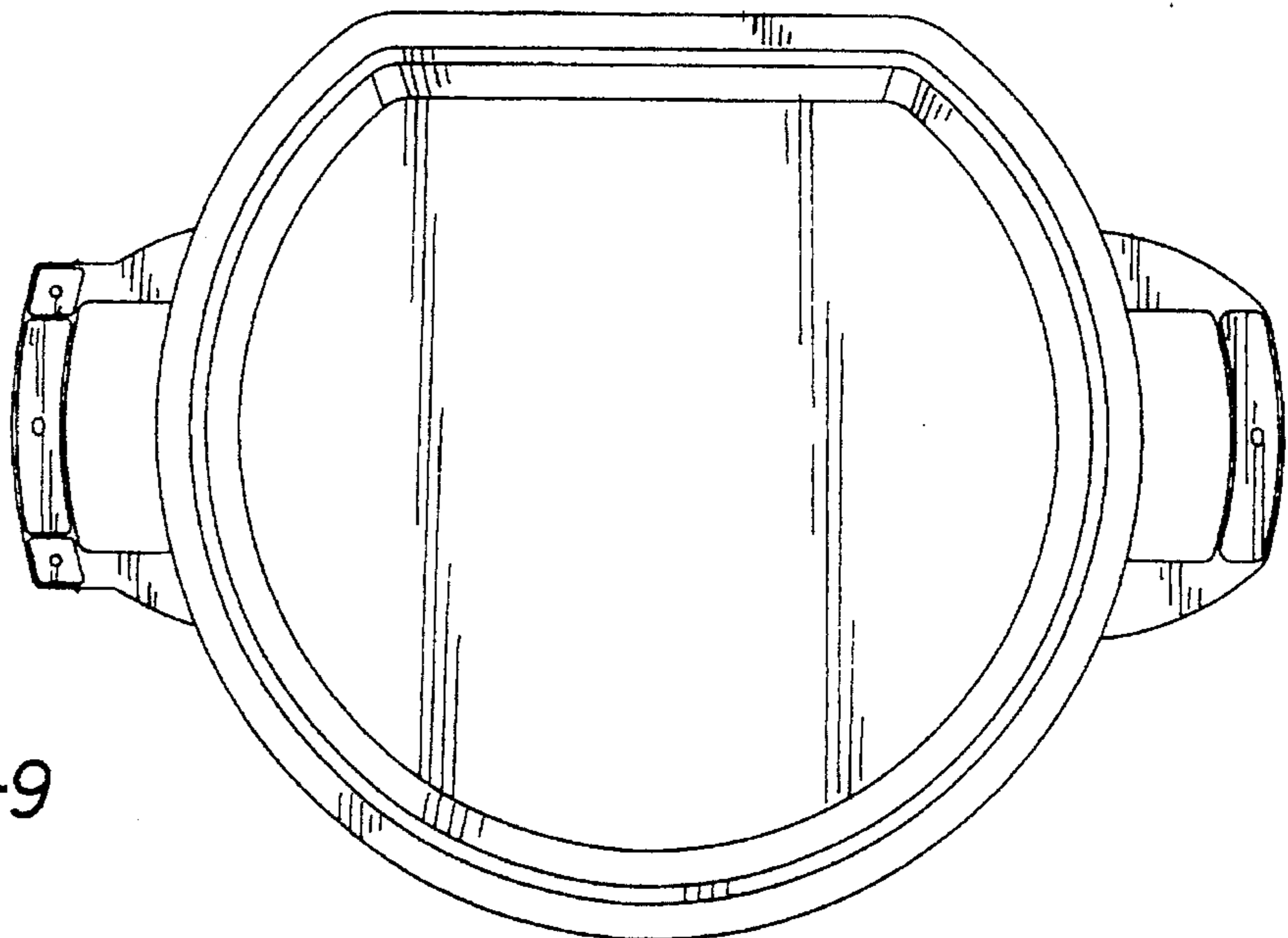


Fig-9

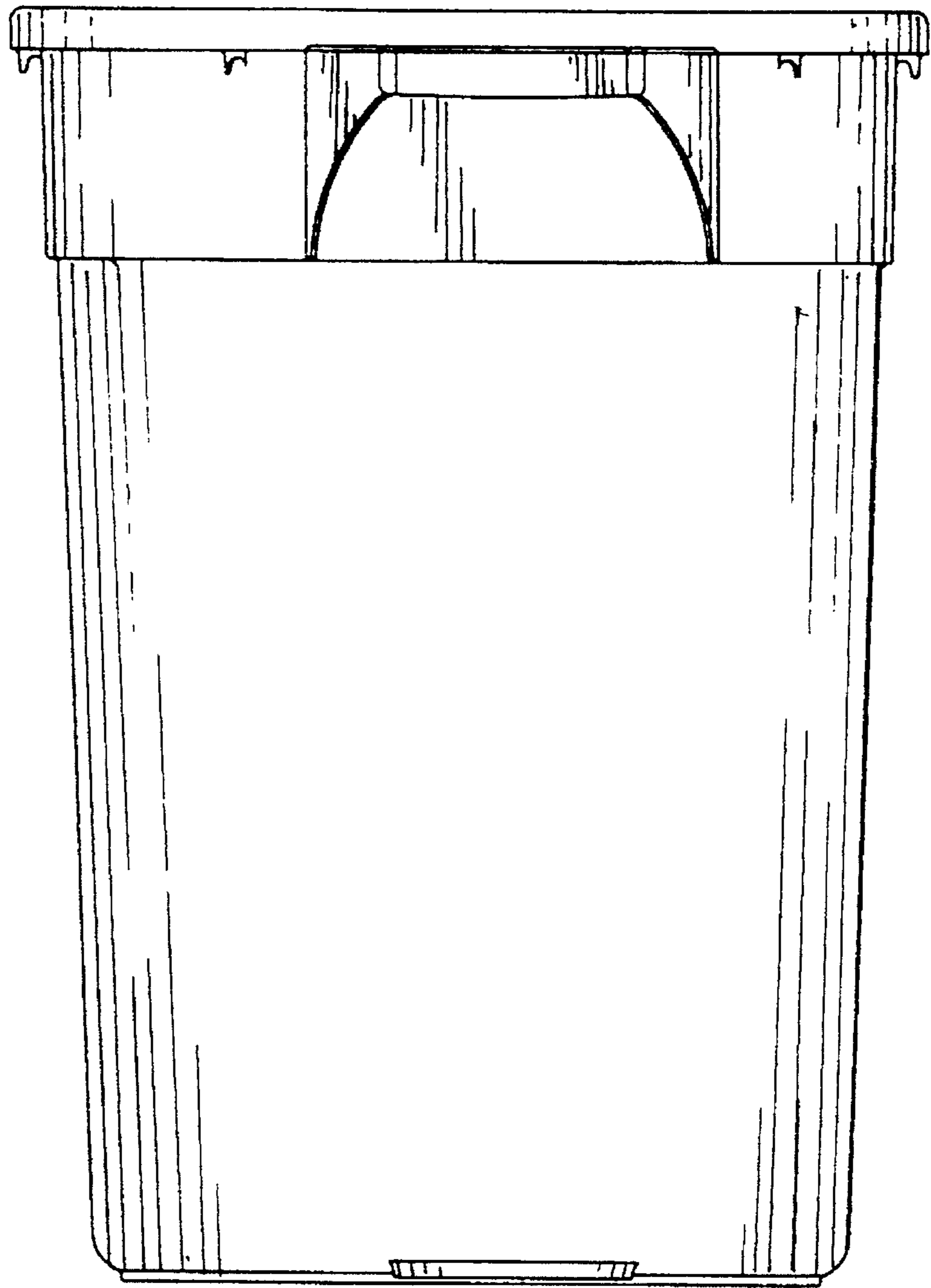


Fig-10

Fig-11

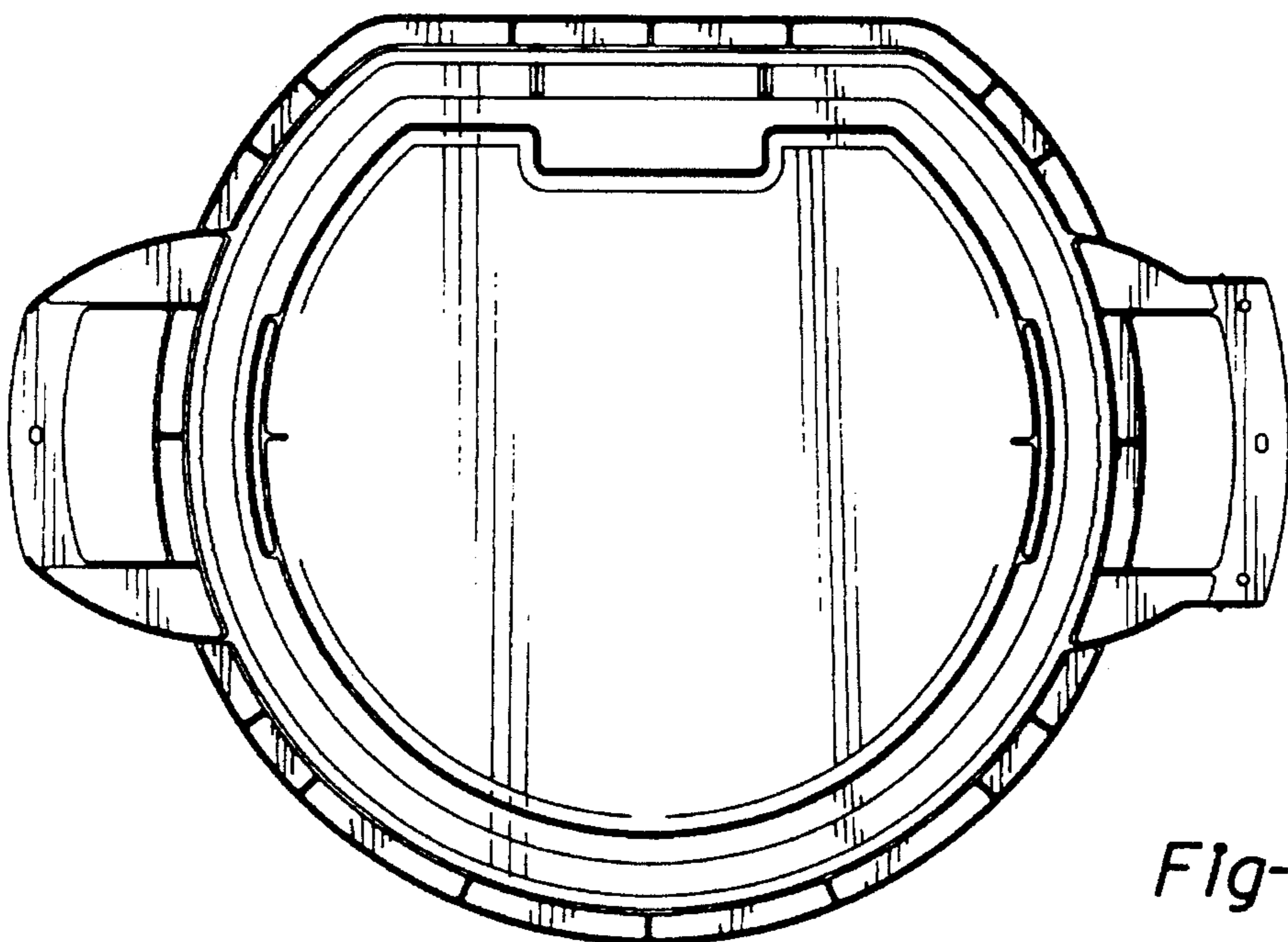
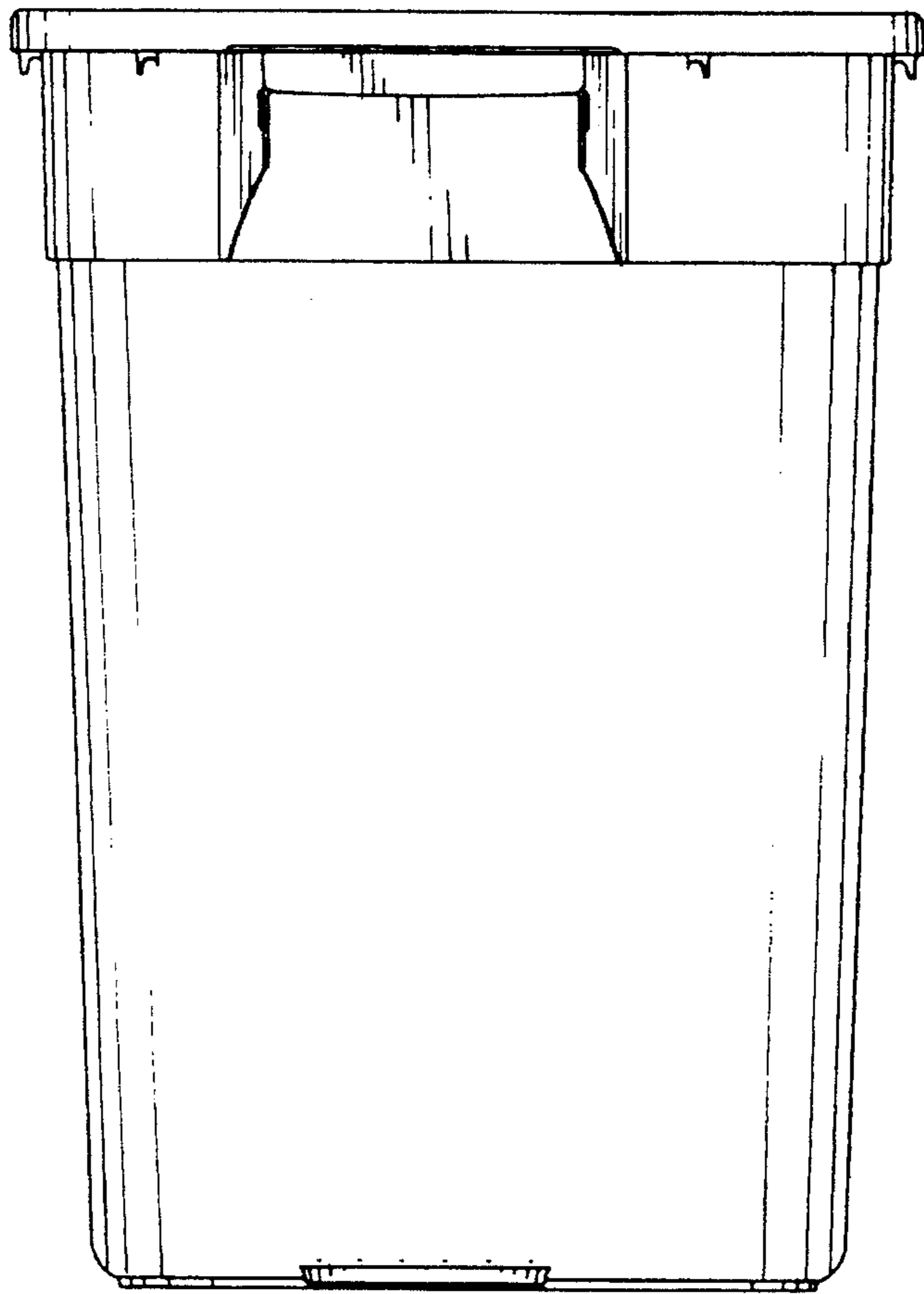


Fig-12