



US00D376232S

# United States Patent [19]

Villar

[11] Patent Number: Des. 376,232

[45] Date of Patent: \*\*Dec. 3, 1996

[54] GAS HEATED SEAMING IRON  
[76] Inventor: Albert Villar, 4240 U.S. 17 N Lot 153, Brunswick, Ga. 31525

5,028,295 7/1991 Cracchiolo ..... 156/574  
5,089,080 2/1992 Ramirez et al. .... 156/498  
5,211,158 5/1993 Morris ..... 126/271.2  
5,384,001 1/1995 Hoopengardner ..... 219/245 X

[\*\*] Term: 14 Years

### FOREIGN PATENT DOCUMENTS

[21] Appl. No.: 41,950

313528 5/1918 Germany .  
492505 2/1930 Germany .

[22] Filed: Jul. 27, 1995

[52] U.S. Cl. .... D32/69

[58] Field of Search ..... D32/68, 70, 71, D32/72, 73, 69; 38/69, 74, 77.6, 79, 88, 77.1, 77.5, 77.8, 77.7, 77.9; 49/245, 246, 247

Primary Examiner—Susan J. Lucas  
Assistant Examiner—Cynthia E. Ramirez  
Attorney, Agent, or Firm—Dennis H. Lambert

### [57] CLAIM

The ornamental design for a gas heated seaming iron, as shown and described.

### [56] References Cited

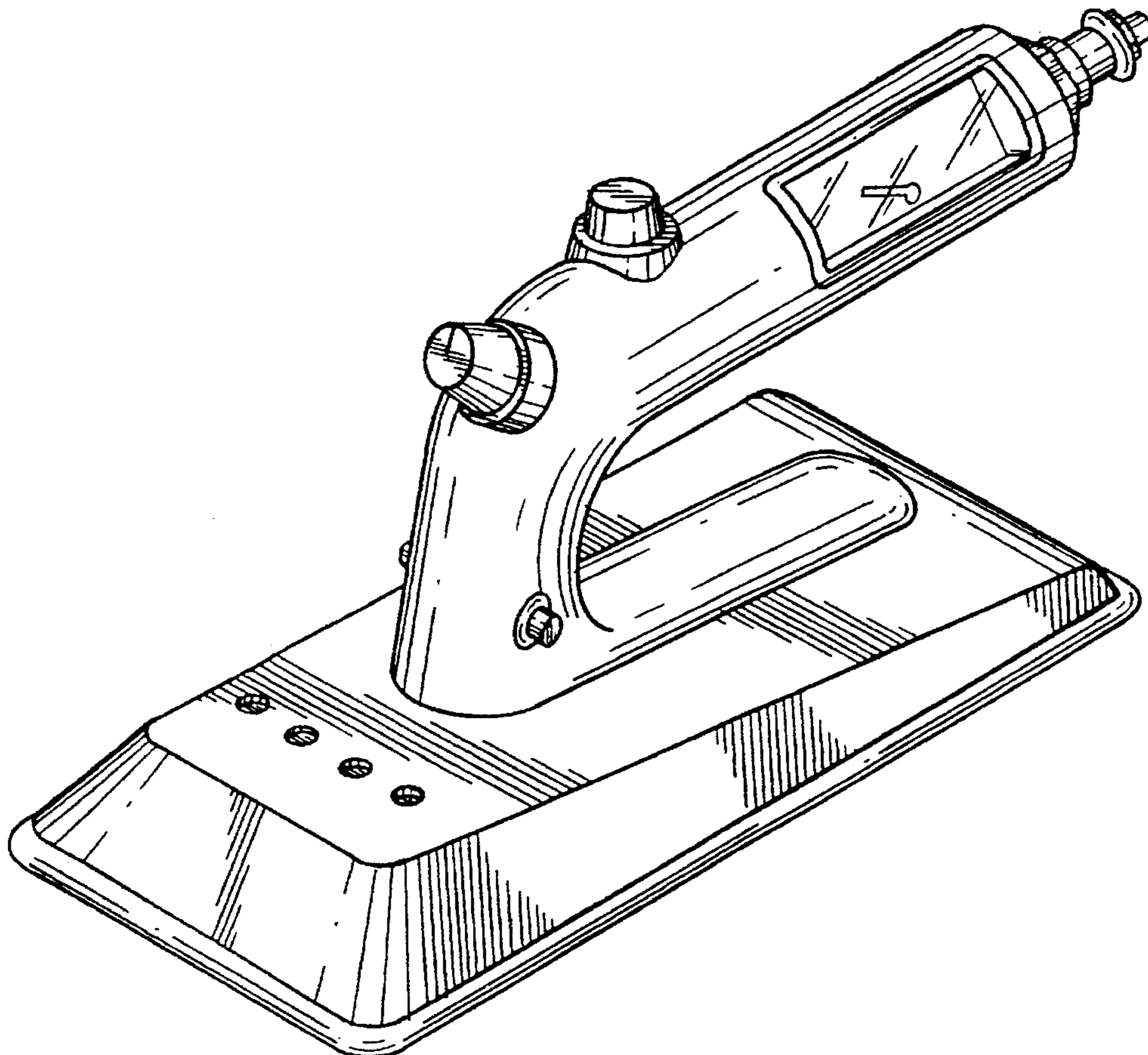
#### U.S. PATENT DOCUMENTS

D. 286,095 10/1986 Asten ..... D32/69  
D. 287,892 1/1987 Rosa et al. .... D32/45  
D. 294,989 3/1988 Jinkins ..... D32/45  
1,333,722 3/1920 Lowenstein ..... 219/245 X  
1,402,245 1/1922 Muntwyler ..... 219/245 X  
1,595,995 8/1926 Clefton .  
3,523,176 8/1970 Hill ..... 219/245  
3,582,436 6/1971 Bucher ..... 156/545 X  
4,536,244 8/1985 Greci et al. .... 156/304.4  
4,584,040 4/1986 Anderson ..... 156/152  
4,829,157 5/1989 Loyd ..... 219/228

### DESCRIPTION

FIG. 1 is a front, top and side perspective view of the gas heated seaming iron embodying the design of the present invention;  
FIG. 2 is a front elevational view thereof;  
FIG. 3 is a rear elevational view thereof;  
FIG. 4 is a right side elevational view thereof;  
FIG. 5 is a top plan view thereof;  
FIG. 6 is a bottom plan view thereof; and,  
FIG. 7 is a left side elevational view thereof.

1 Claim, 4 Drawing Sheets



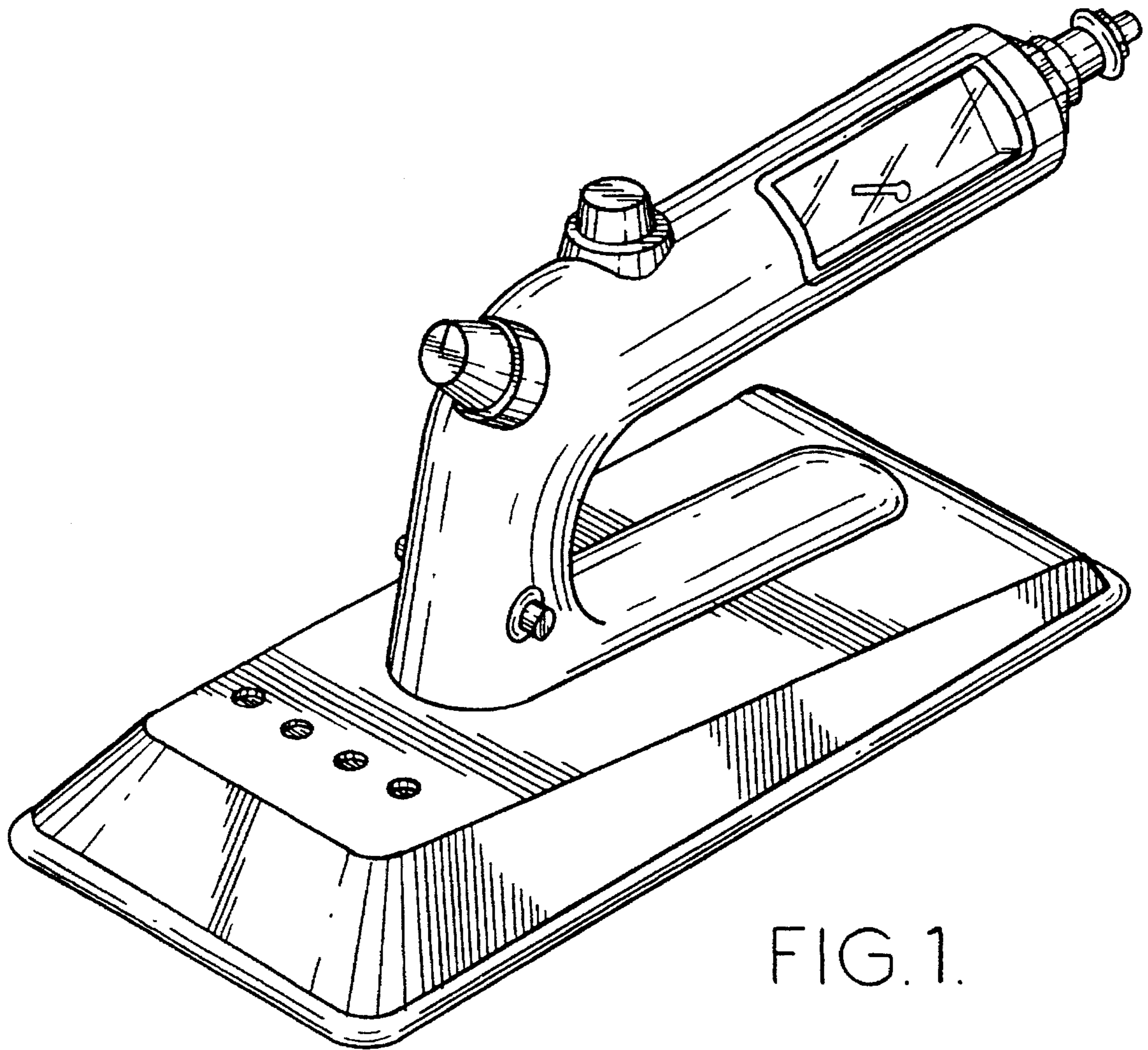


FIG. 1.

FIG. 2.

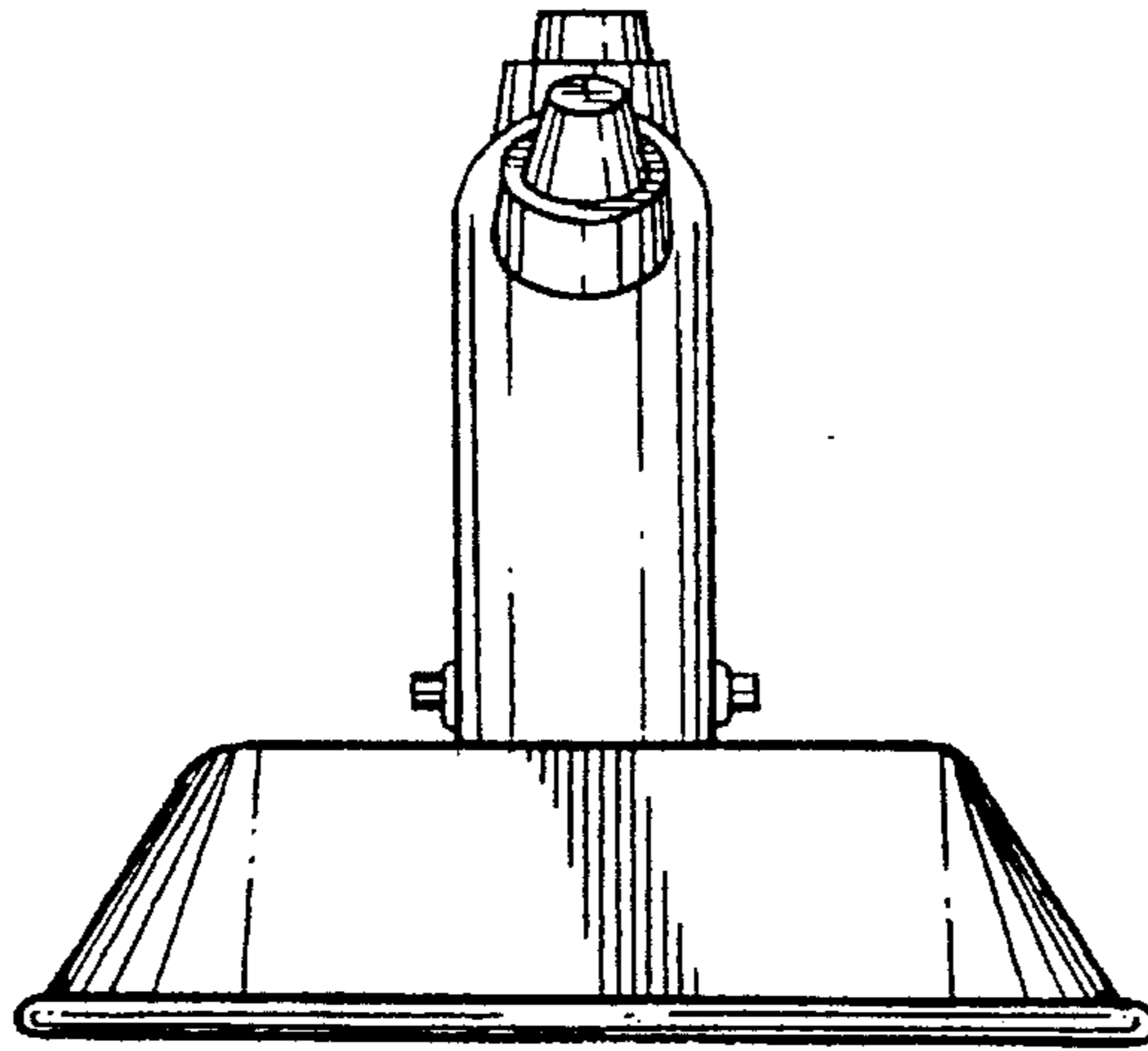


FIG. 6.

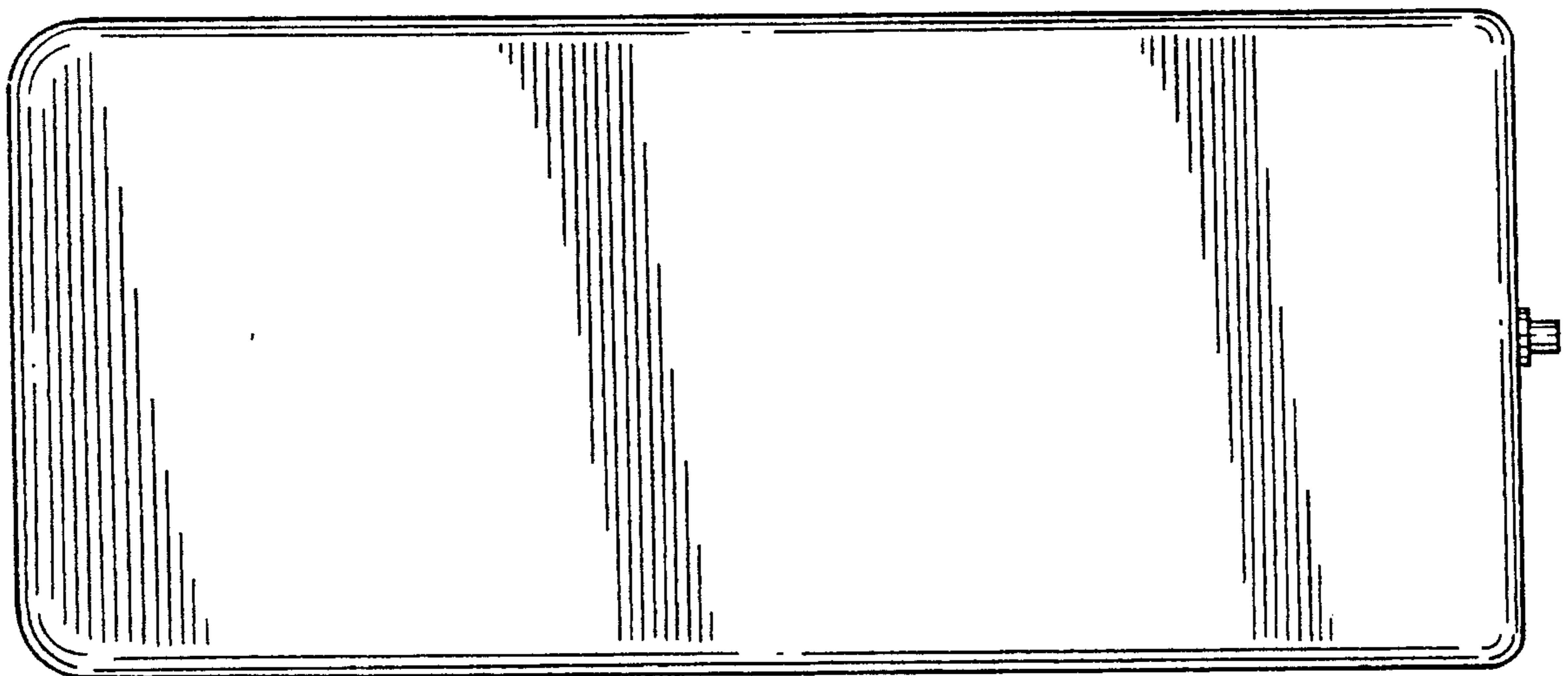




FIG. 4.

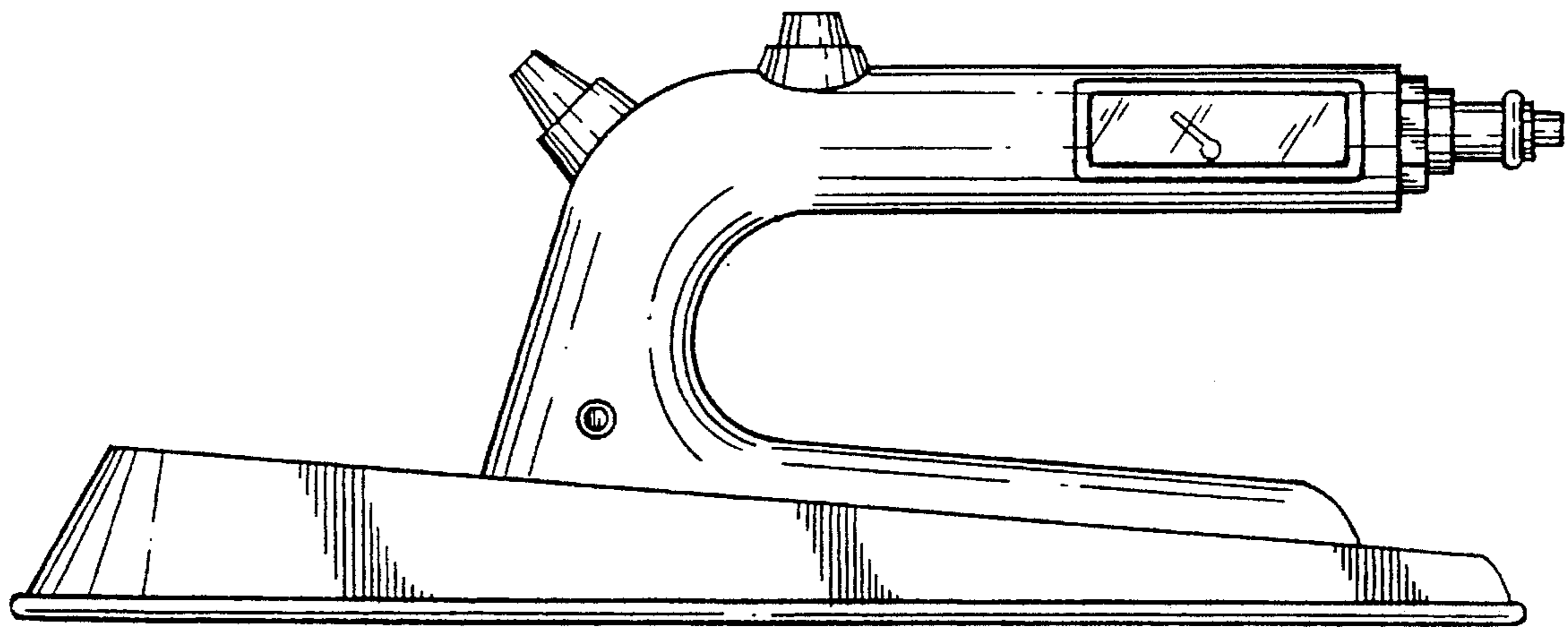


FIG. 5.

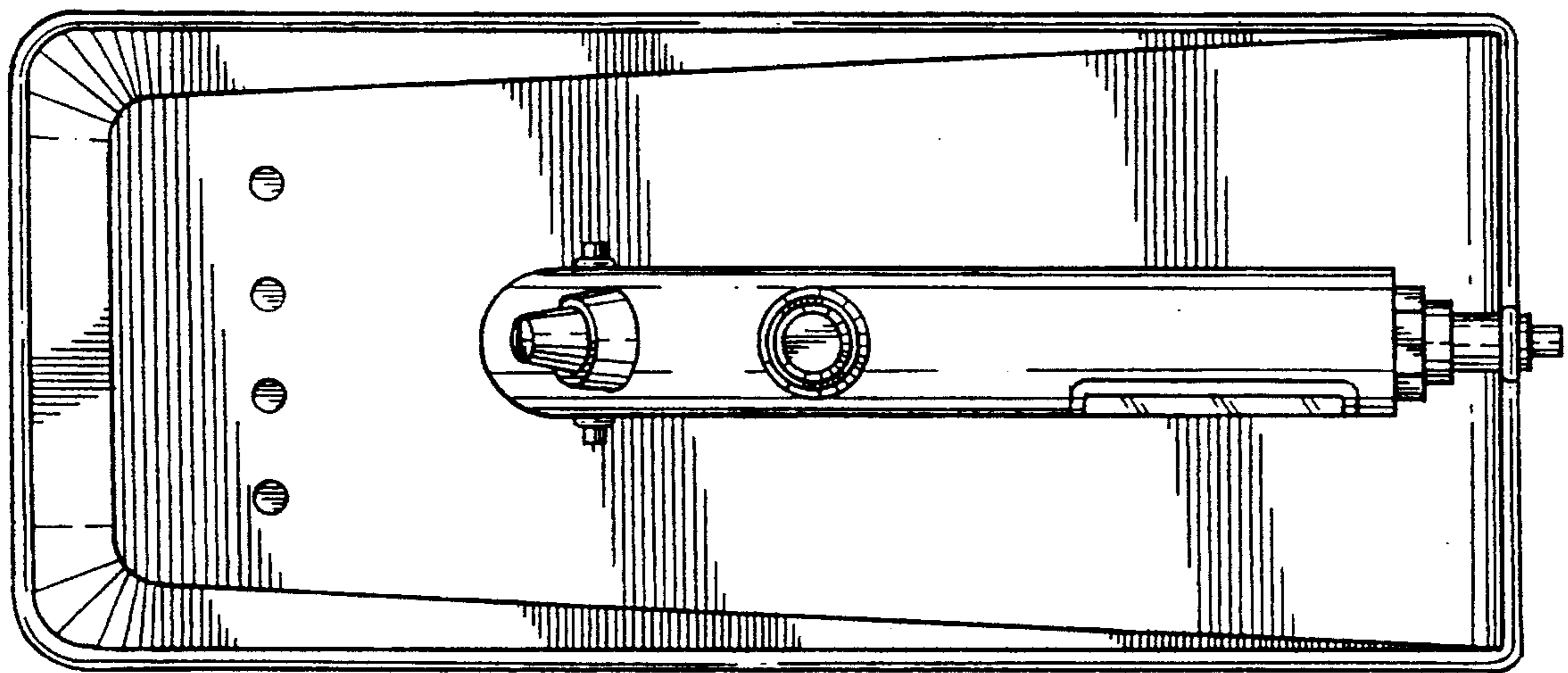
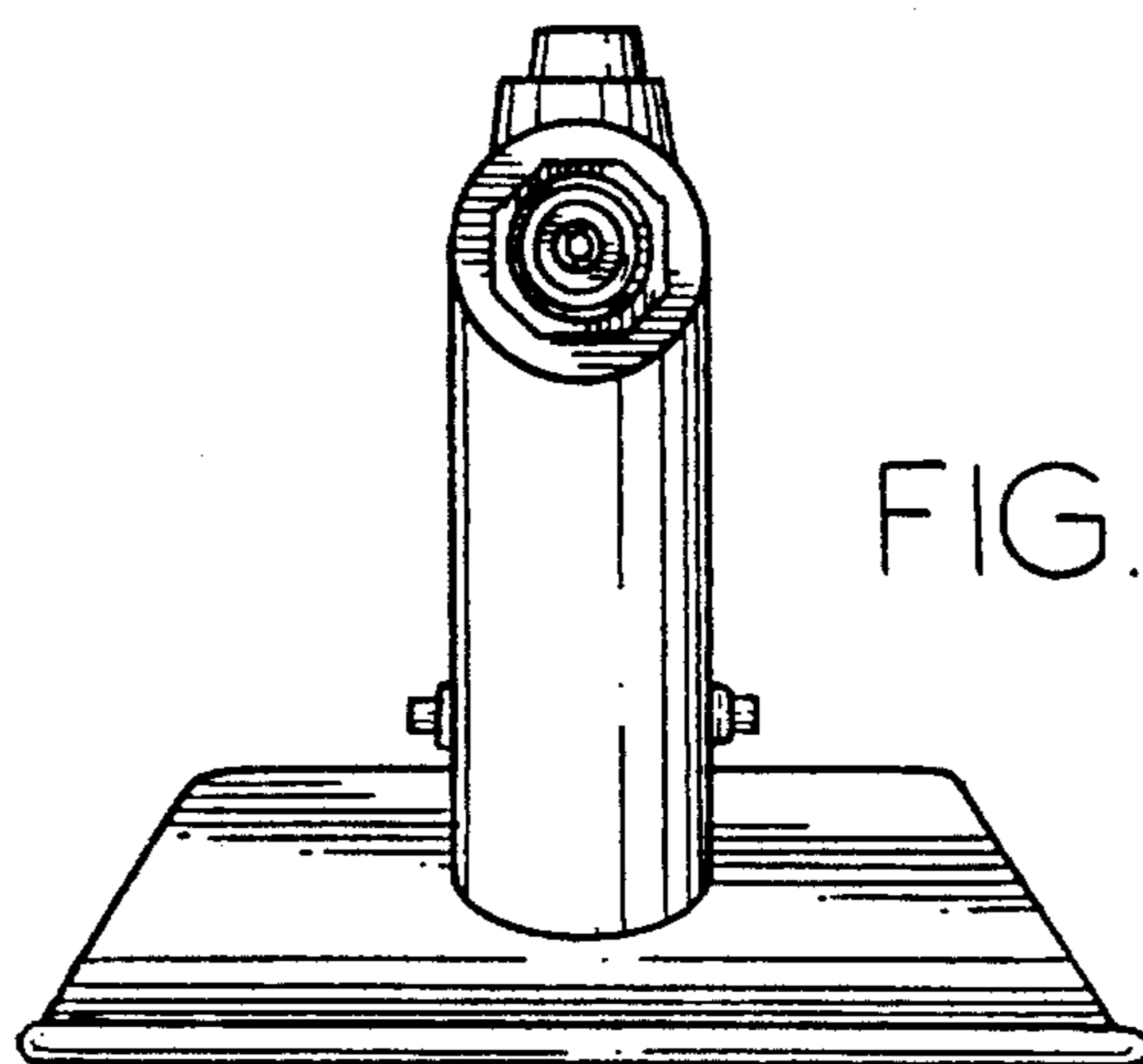


FIG. 3.



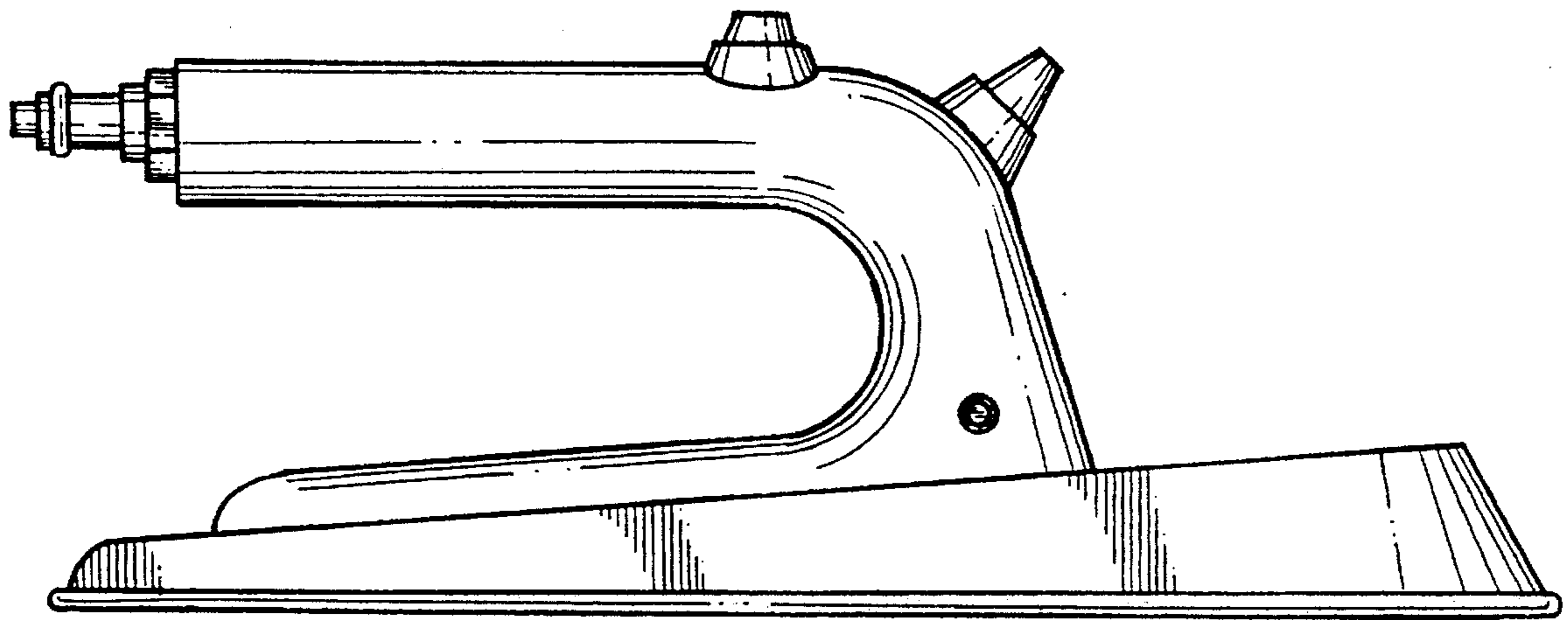


FIG. 7.