



US00D376227S

United States Patent [19]

Knowlton et al.

[11] Patent Number: **Des. 376,227**

[45] Date of Patent: ****Dec. 3, 1996**

[54] **FLOOR SWEEPER**

[75] Inventors: **Christopher M. Knowlton**, Pinehurst, N.C.; **Robert J. O'Hara**, Castle Rock, Colo.

[73] Assignee: **Windsor Industries, Inc.**, Englewood, Colo.

[**] Term: **14 Years**

[21] Appl. No.: **23,201**

[22] Filed: **Apr. 25, 1994**

[52] U.S. Cl. **D32/16**

[58] Field of Search D32/1, 15-17, D32/19-20; D12/1, 14, 15; D15/10, 124; 15/49.1-50.3, 21.1, 51-52.2, 78, 80-82, 87, 97.1, 98-99, 320, 340.1-340.4; 37/219, 231-232

D. 273,622 4/1984 Brown et al. D32/16
D. 329,311 9/1992 Knowlton et al. D32/16
5,265,300 11/1993 O'Hara et al. 15/320 X

Primary Examiner—James M. Gandy
Assistant Examiner—Stacia Sinuik
Attorney, Agent, or Firm—Sheridan Ross & McIntosh

[57] CLAIM

The ornamental design for a floor sweeper, as shown and described.

DESCRIPTION

FIG. 1 is a left side elevational view of a floor sweeper showing our new design;
FIG. 2 is a right side elevational view thereof;
FIG. 3 is a top plan view thereof;
FIG. 4 is a front elevational view thereof; and,
FIG. 5 is a rear elevational view thereof.

[56] References Cited

U.S. PATENT DOCUMENTS

D. 273,620 4/1984 Kimzey et al. D32/16

1 Claim, 5 Drawing Sheets

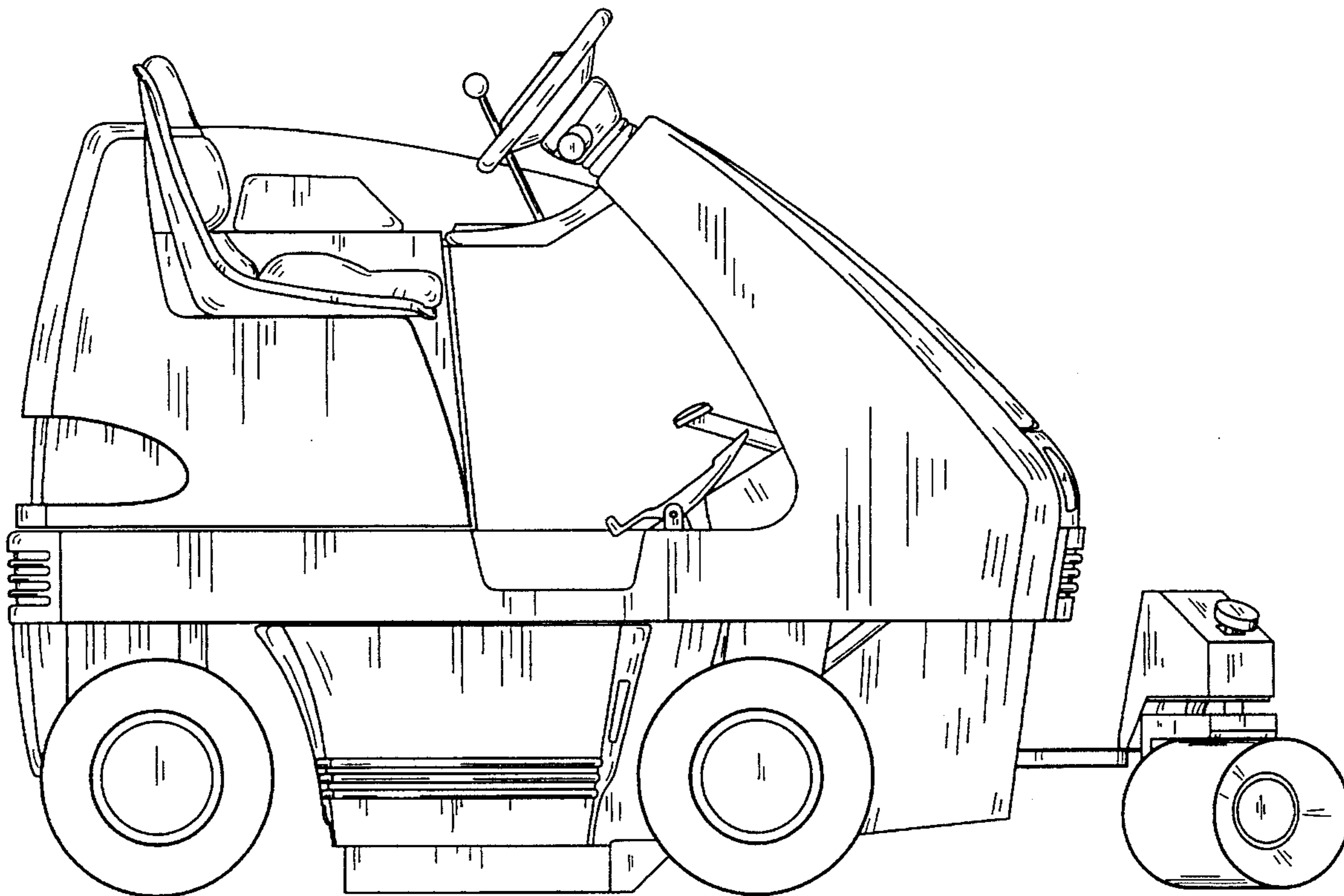
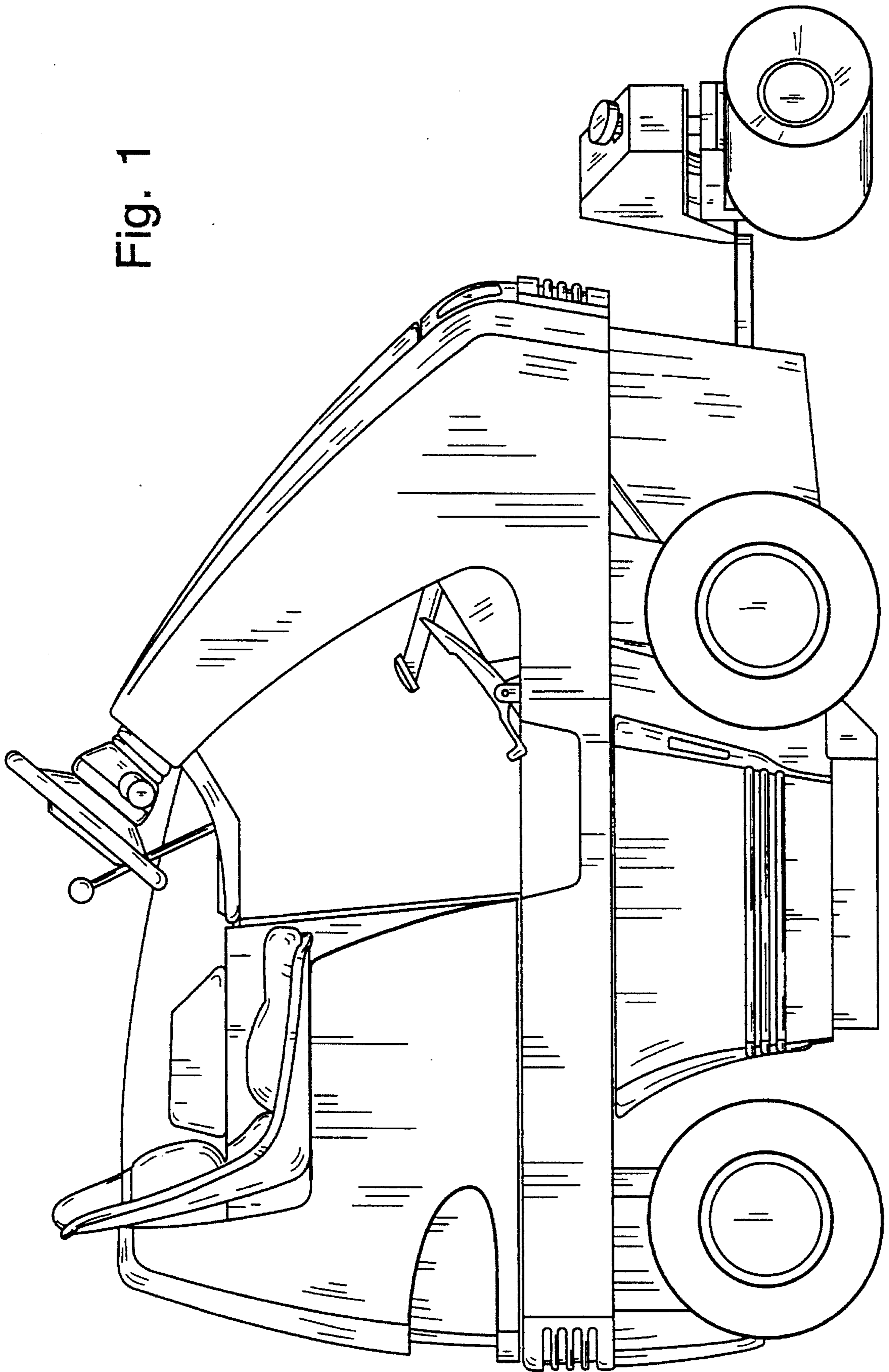


Fig. 1



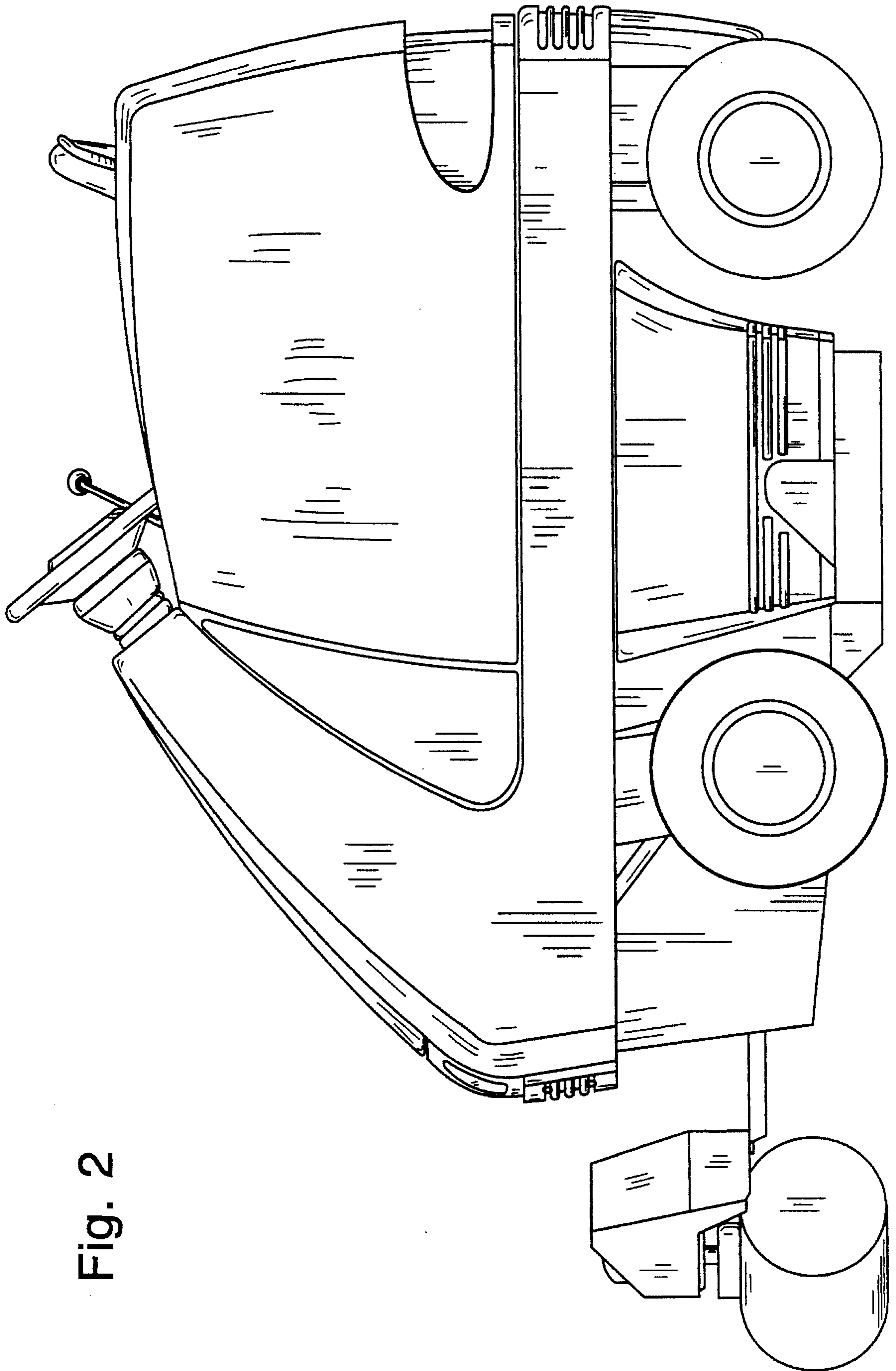


Fig. 2

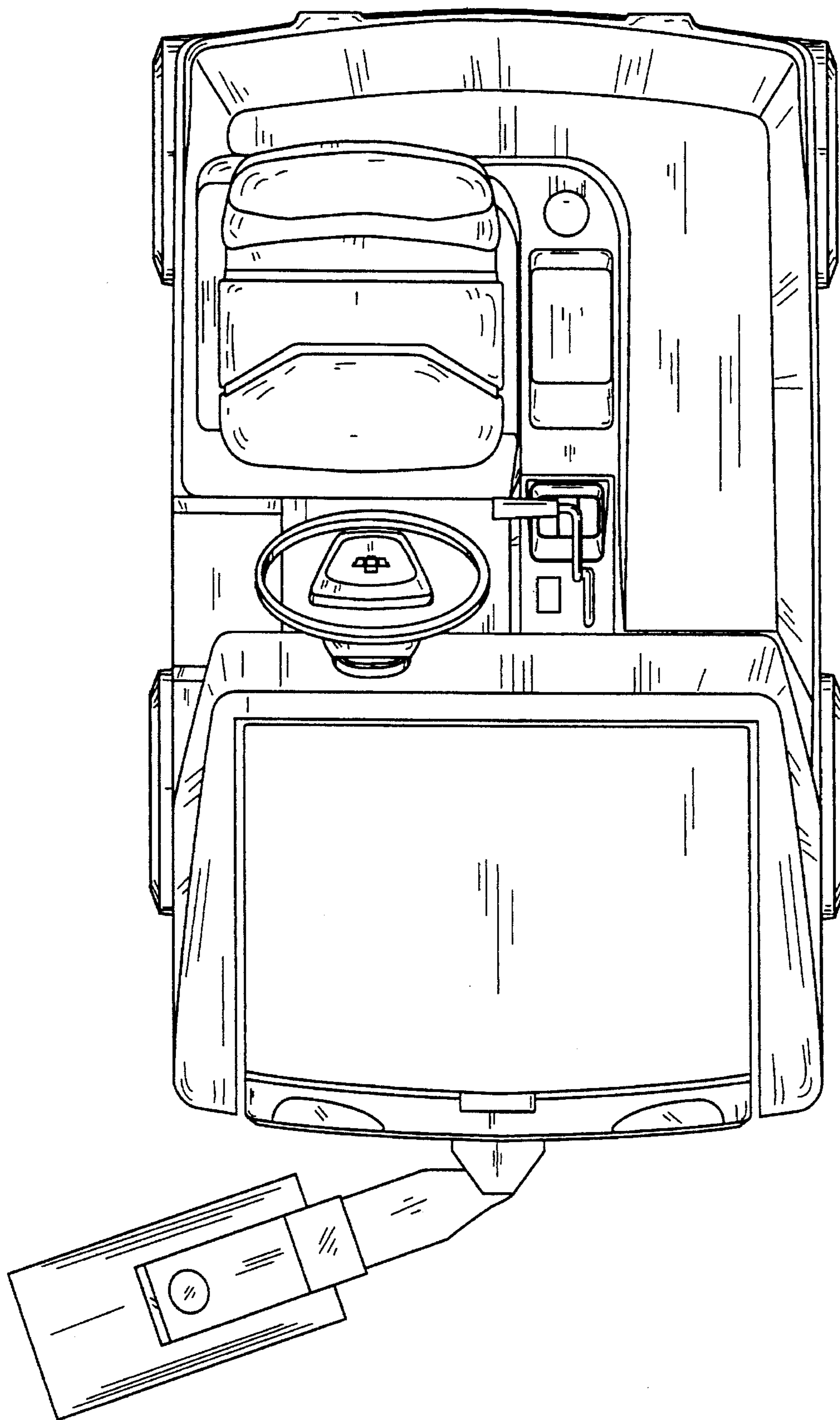


Fig. 3

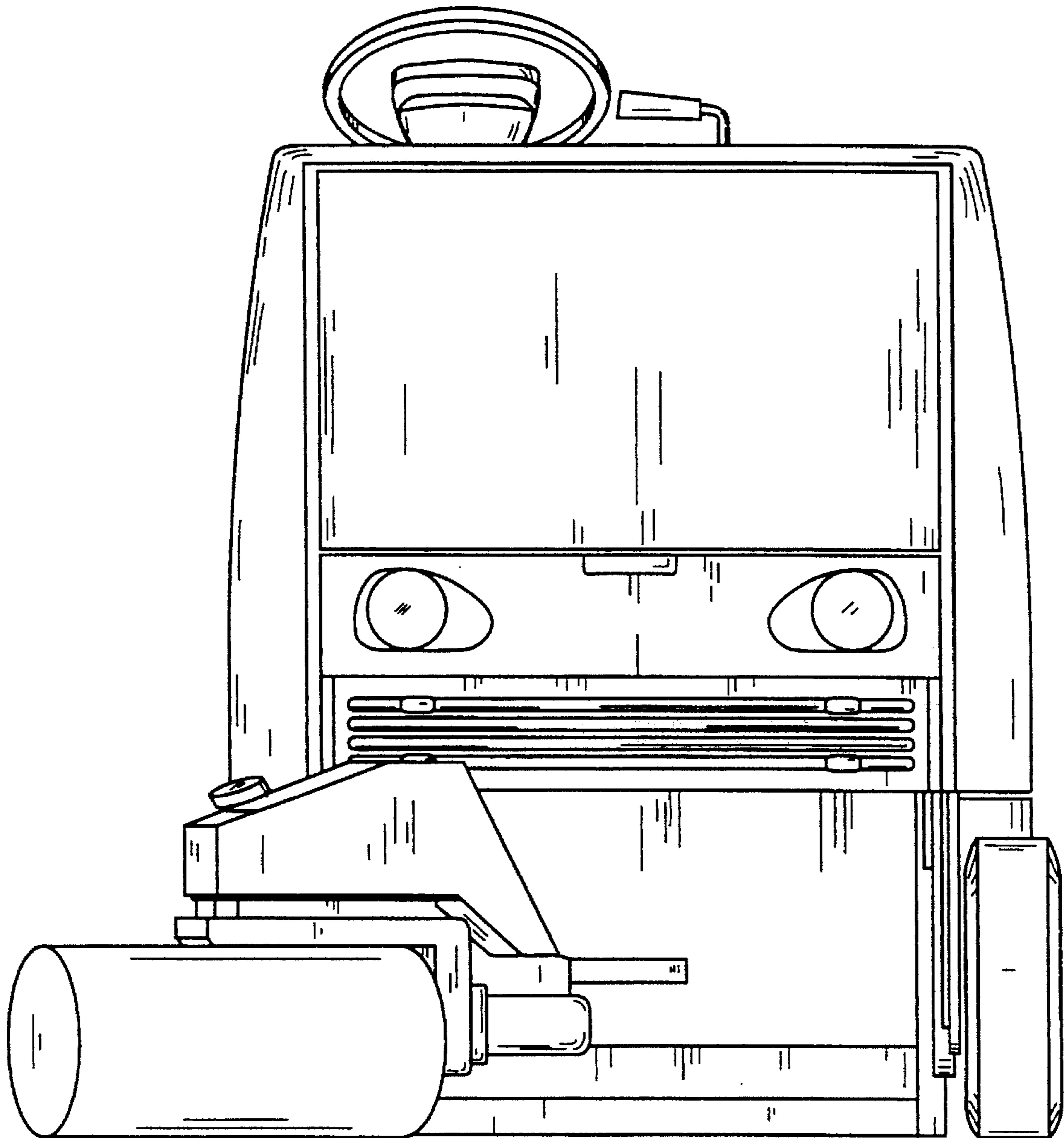


Fig. 4

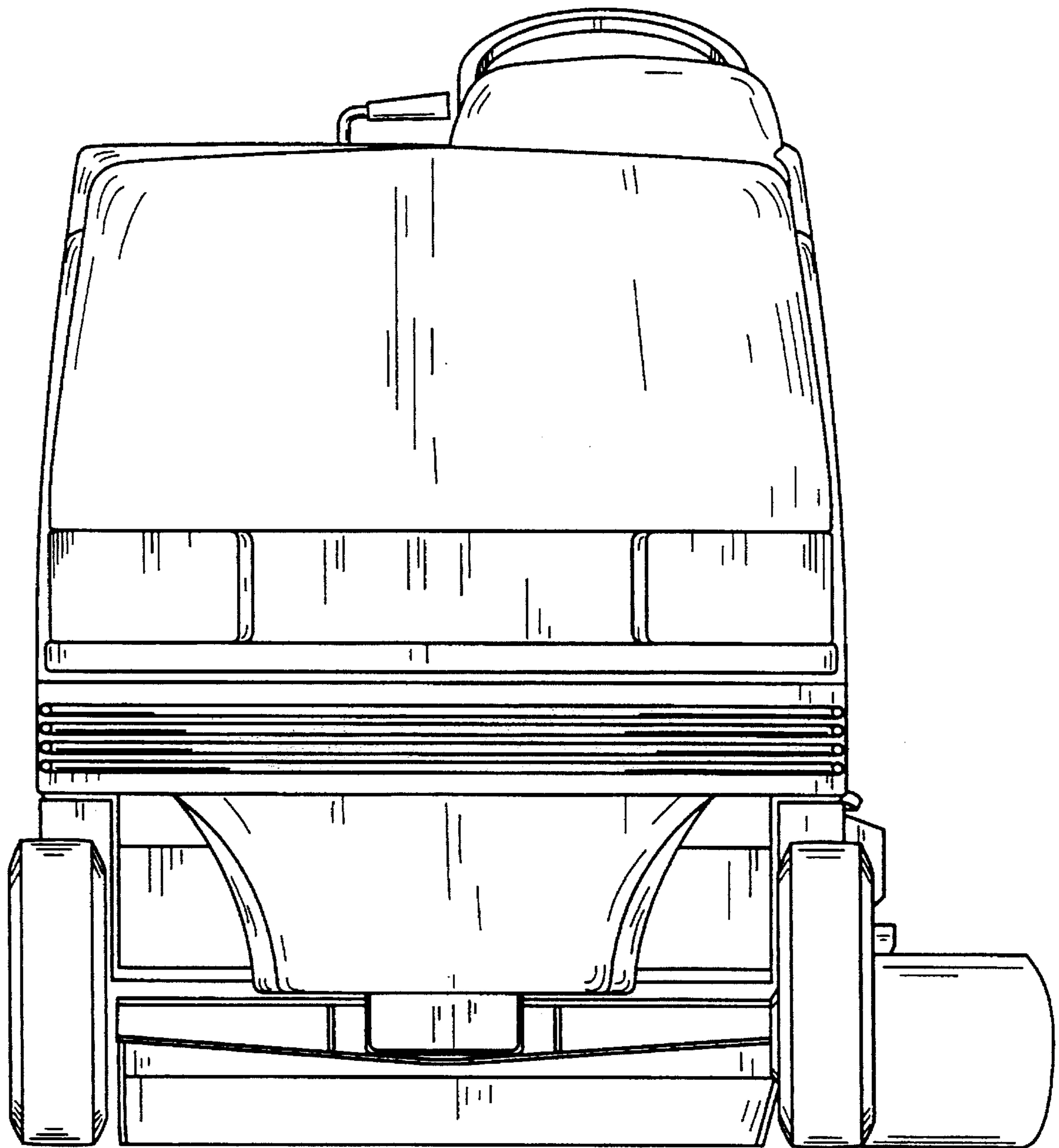


Fig. 5