



US00D376225S

United States Patent [19] Hauck

[11] Patent Number: **Des. 376,225**

[45] Date of Patent: ****Dec. 3, 1996**

[54] **PET CARRIER**

44 of 1885 United Kingdom 119/19
12820 of 1887 United Kingdom 119/19

[76] Inventor: **Daniel Hauck**, 1111 A Thompson Cir.,
Fort Eustis, Va. 23604

OTHER PUBLICATIONS

[**] Term: **14 Years**

Fritz Pet Products brochure; item 169-32438 Sport toy-bus.
Wholesale Veterinary Supply Catalog; p. 59; Doskocil Vari
Kennel.

[21] Appl. No.: **25,294**

[22] Filed: **Jun. 29, 1994**

Primary Examiner—Cathy Anne MacCormac
Attorney, Agent, or Firm—Raymond L. Greene, Esq.

[52] U.S. Cl. **D30/109**

[58] Field of Search 119/15, 16, 17,
119/19, 165, 20, 7; D12/84; D30/108-109,
112-119, 161

[57] CLAIM

The ornamental design for a pet carrier, as shown and
described.

[56] References Cited

DESCRIPTION

U.S. PATENT DOCUMENTS

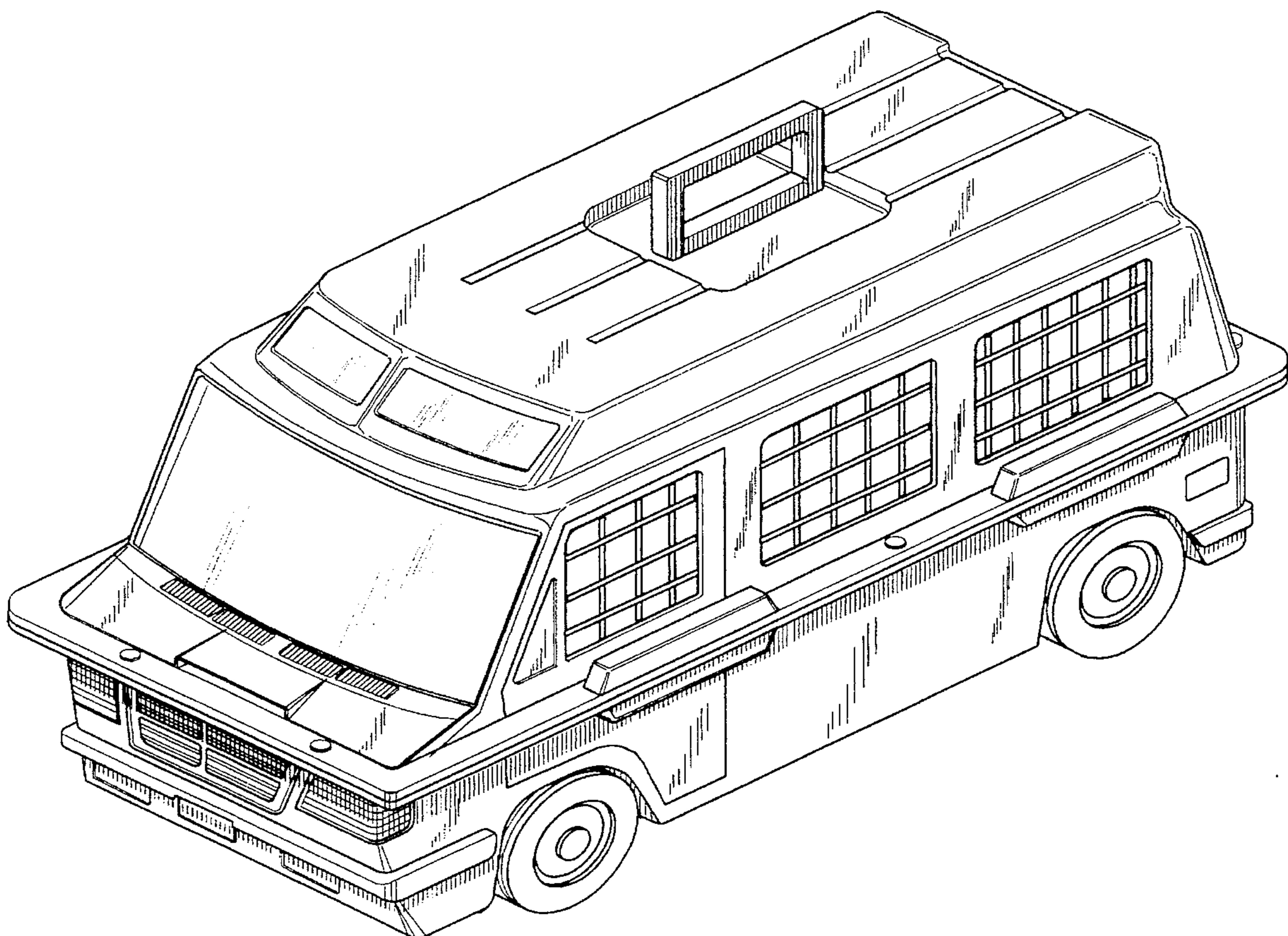
D. 171,740	3/1954	Yellin	D30/109
D. 262,531	1/1982	Hanson	D12/84
D. 314,251	1/1991	Van Skiver	D30/109
D. 314,733	2/1991	Richter, Jr. et al.	D12/84
D. 331,131	11/1992	Quillen	D30/161
4,167,152	9/1979	Mills	119/15
4,273,071	6/1981	Clark et al.	119/17
4,909,188	3/1990	Tominaga	119/17
5,081,956	1/1992	Greitzer et al.	119/19
5,113,793	5/1992	Leader et al.	119/19
5,283,962	2/1994	Humann	119/19

FIG. 1 is front view of a pet carrier, showing my new design;
FIG. 2 is rear view thereof;
FIG. 3 is left side view showing the windshield hatch in the
open position thereof;
FIG. 4 is a right side view thereof showing the windshield
hatch in the closed position;
FIG. 5 is a reduced top view thereof;
FIG. 6 is a reduced bottom view thereof; and,
FIG. 7 is a perspective view thereof showing the carrying
handle in the raised position.

FOREIGN PATENT DOCUMENTS

2510958	2/1983	France	119/7
---------	--------	--------	-------	-------

1 Claim, 4 Drawing Sheets



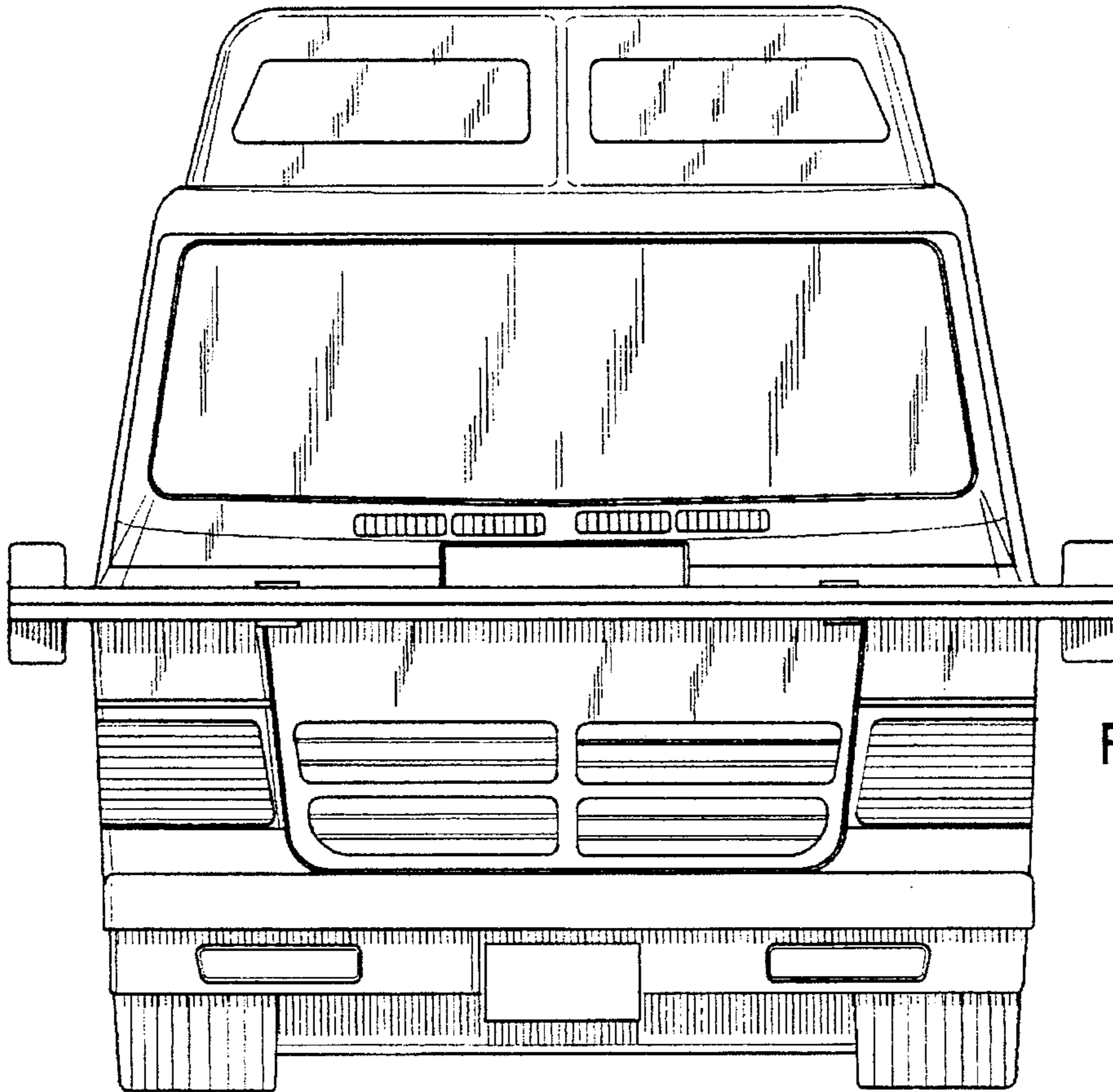


FIG. 1

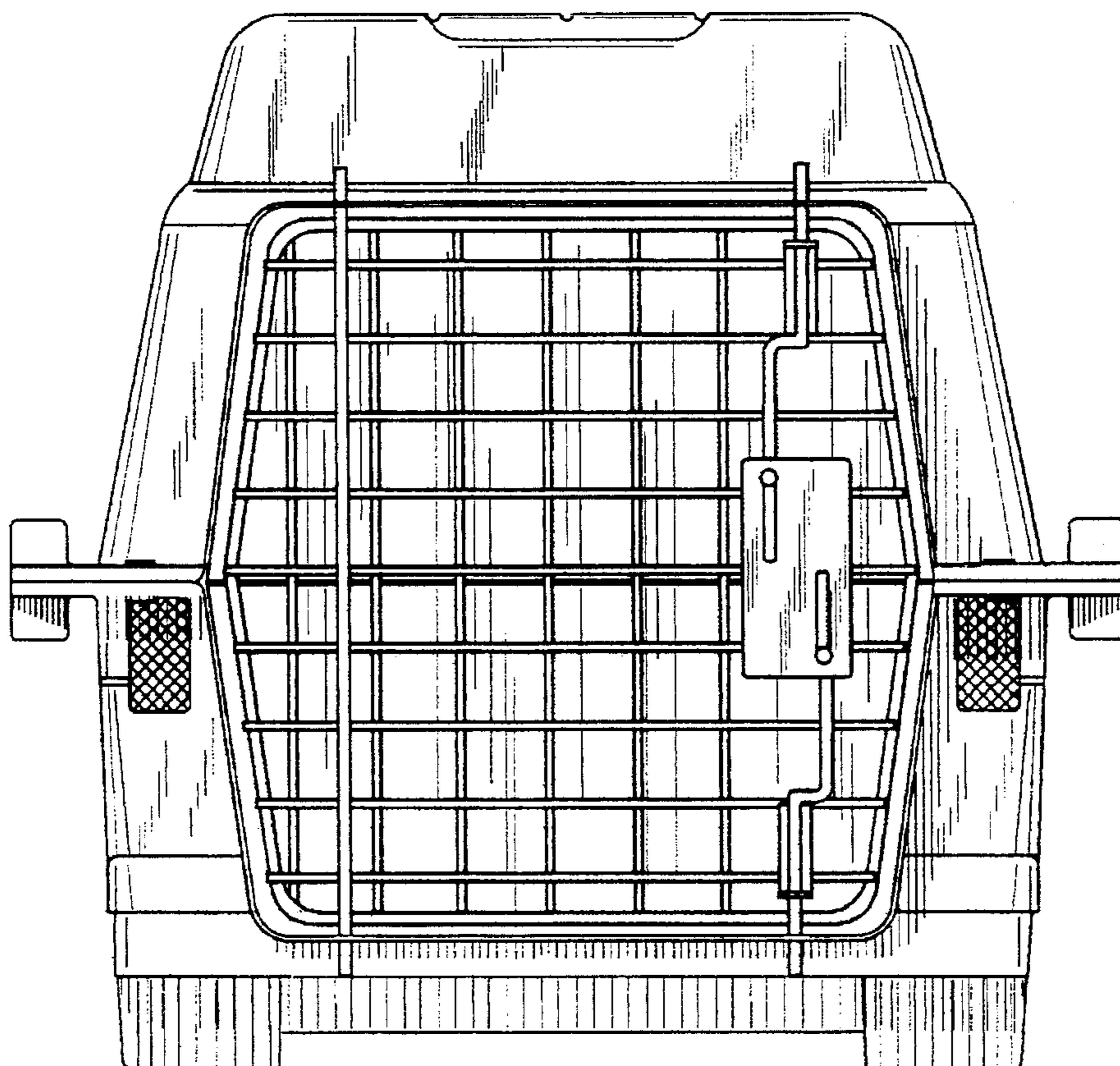


FIG. 2

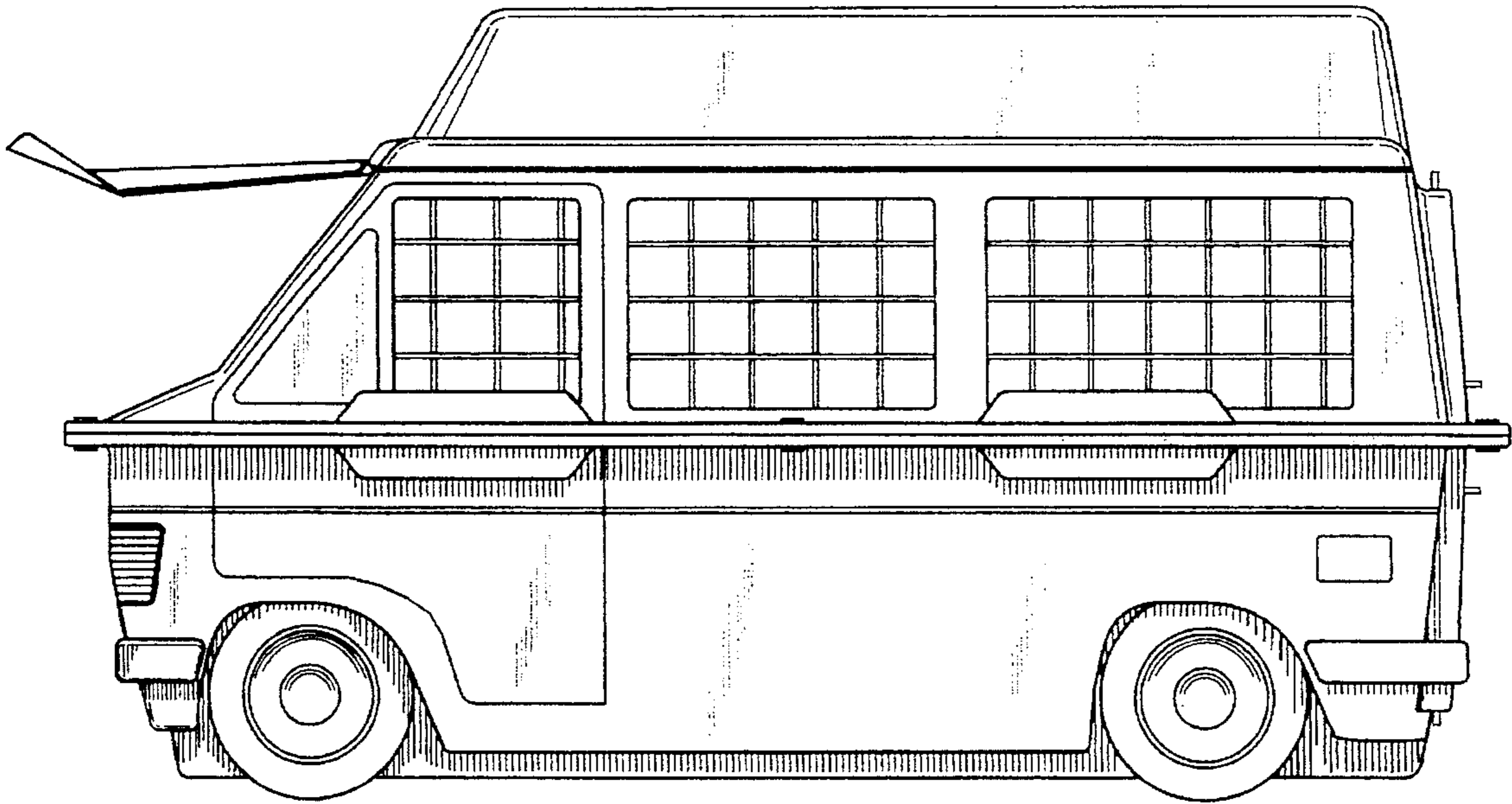


FIG. 3

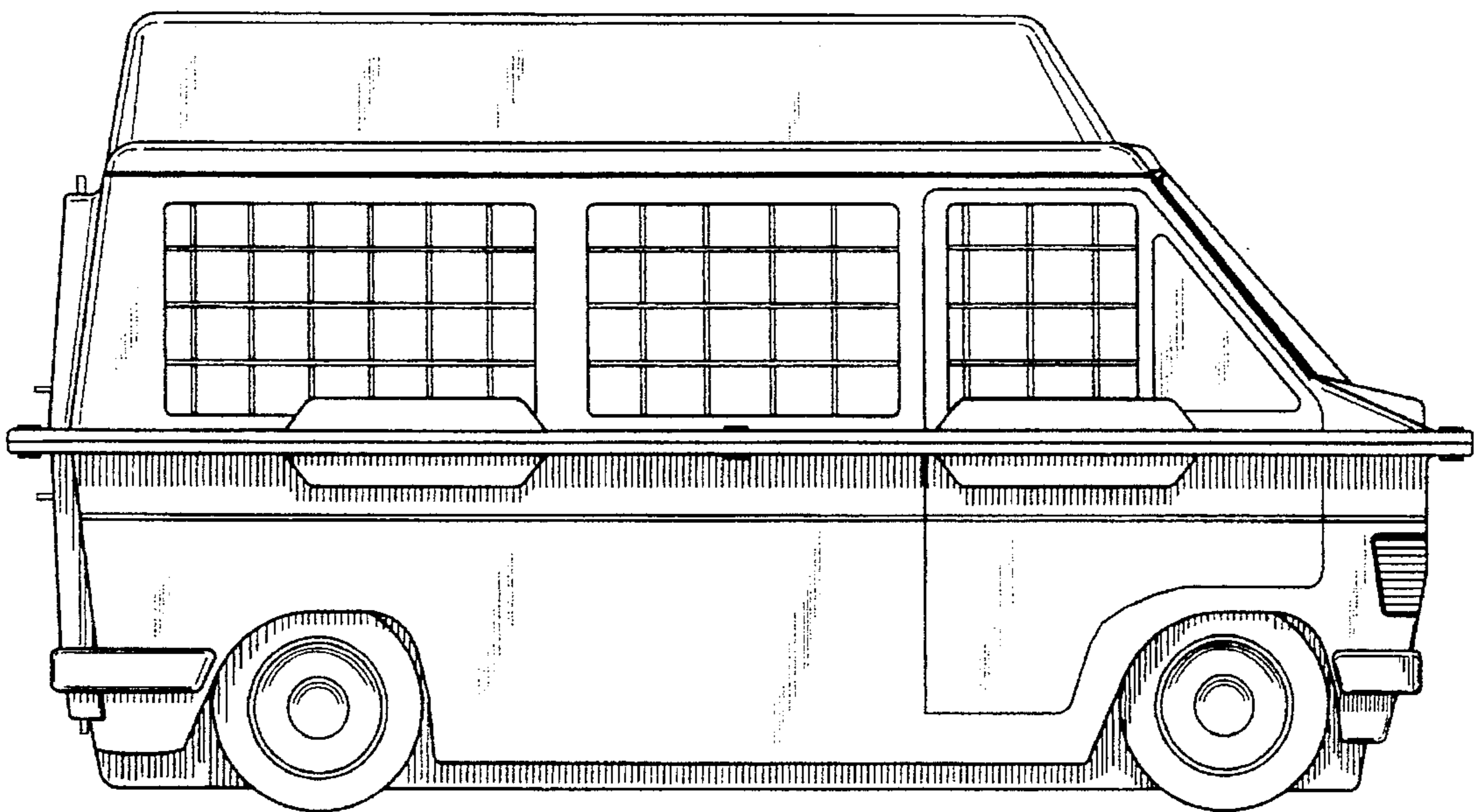


FIG. 4

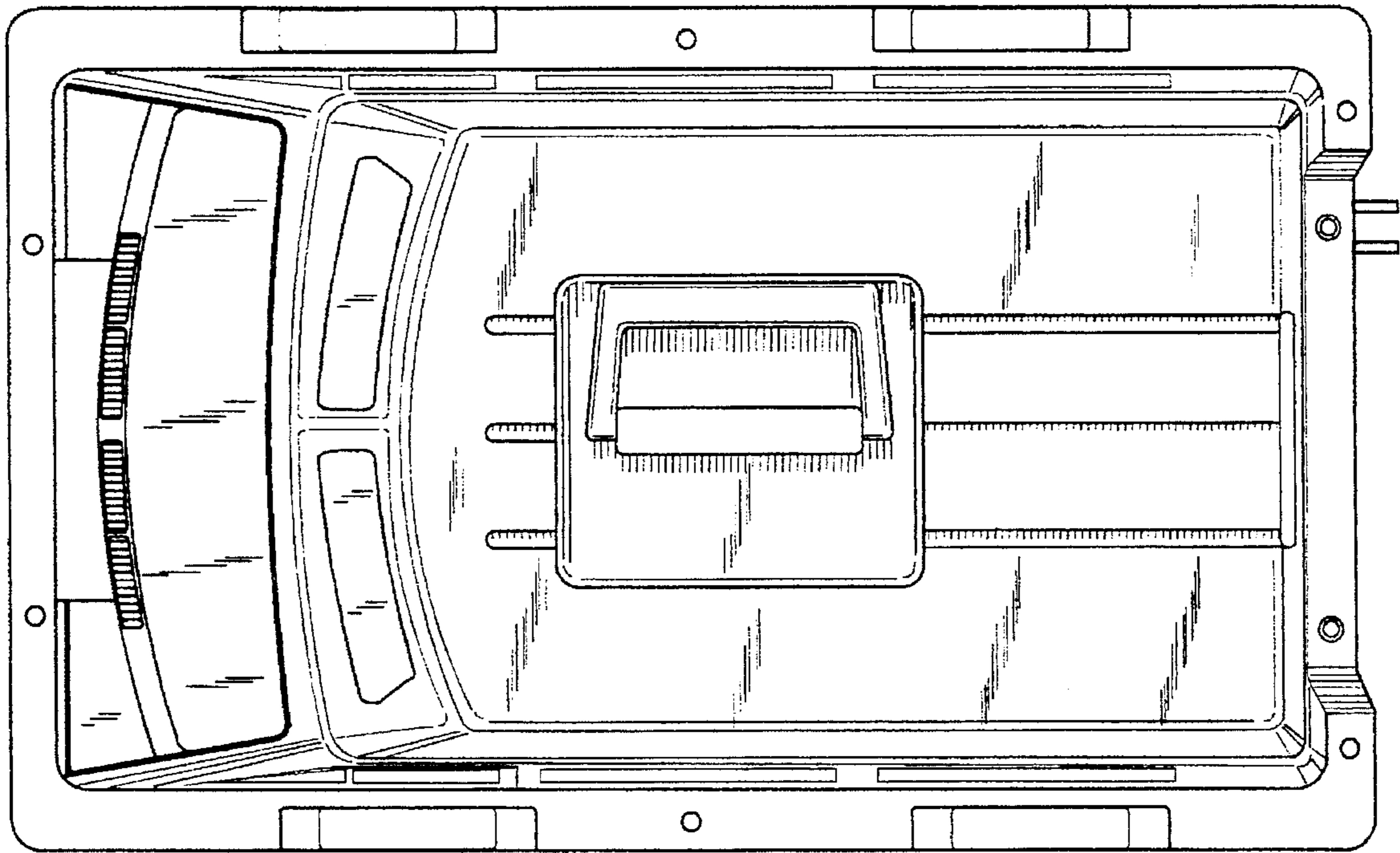


FIG. 5

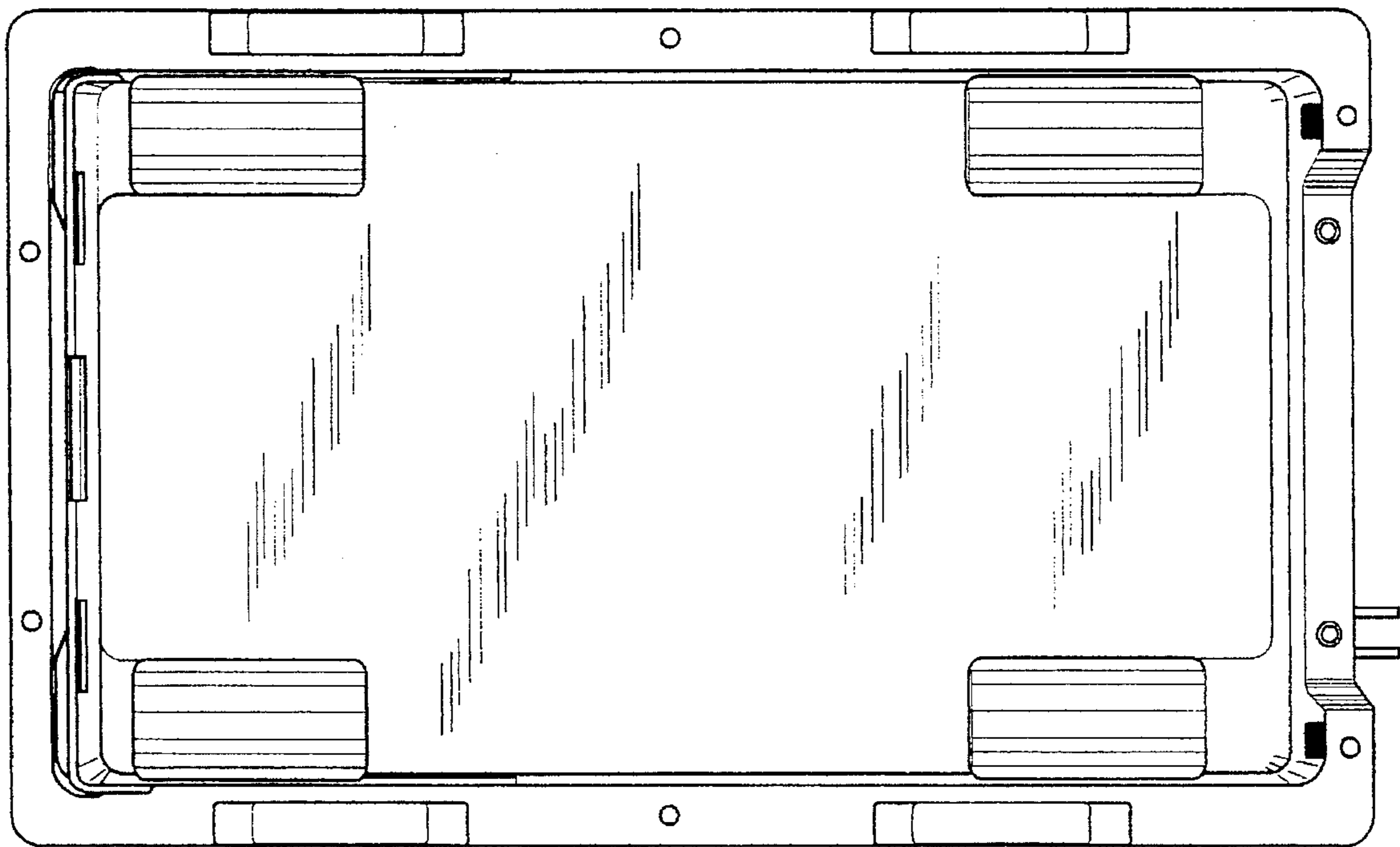


FIG. 6

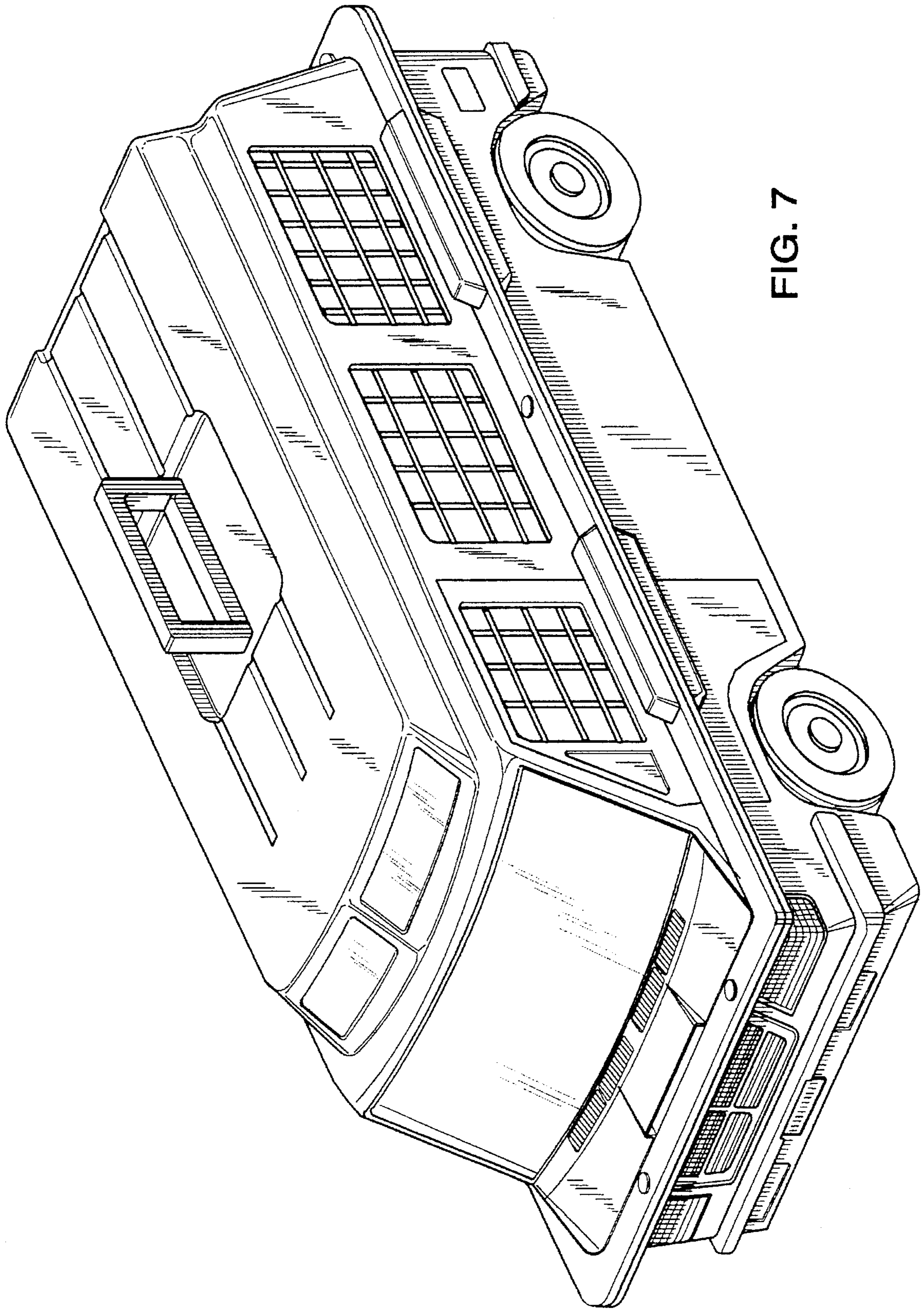


FIG. 7