



US00D376221S

**United States Patent** [19]  
**Arnold**

[11] **Patent Number:** **Des. 376,221**  
[45] **Date of Patent:** **\*\*Dec. 3, 1996**

[54] **DECORATIVE LAMP**

[76] Inventor: **Darcy M. Arnold**, 10915 Bristol Bay Dr., Apt. 310, Bradenton, Fla. 34209

[\*\*] Term: **14 Years**

[21] Appl. No.: **47,144**

[22] Filed: **Nov. 28, 1995**

[52] U.S. Cl. .... **D26/102; D26/86; D26/107**

[58] Field of Search ..... **D26/93, 102-112; 362/410-414, 806**

[56] **References Cited**

**PUBLICATIONS**

Form, Jan. 1985, p. 21 "Saturn" Lamp.  
Plastics Merchandising, Nov. 1951, p. 20, Desk Lamp with Louvers.

*Primary Examiner*—Susan J. Lucas  
*Attorney, Agent, or Firm*—James M. Deimen

[57] **CLAIM**

The ornamental design for a decorative lamp, as shown and described.

**DESCRIPTION**

FIG. 1 is a right side view of a decorative lamp showing my new design;

FIG. 2 is a left side view thereof;

FIG. 3 is a front view thereof;

FIG. 4 is a back view thereof;

FIG. 5 is a top view thereof; and,

FIG. 6 is a bottom view thereof.

**1 Claim, 3 Drawing Sheets**

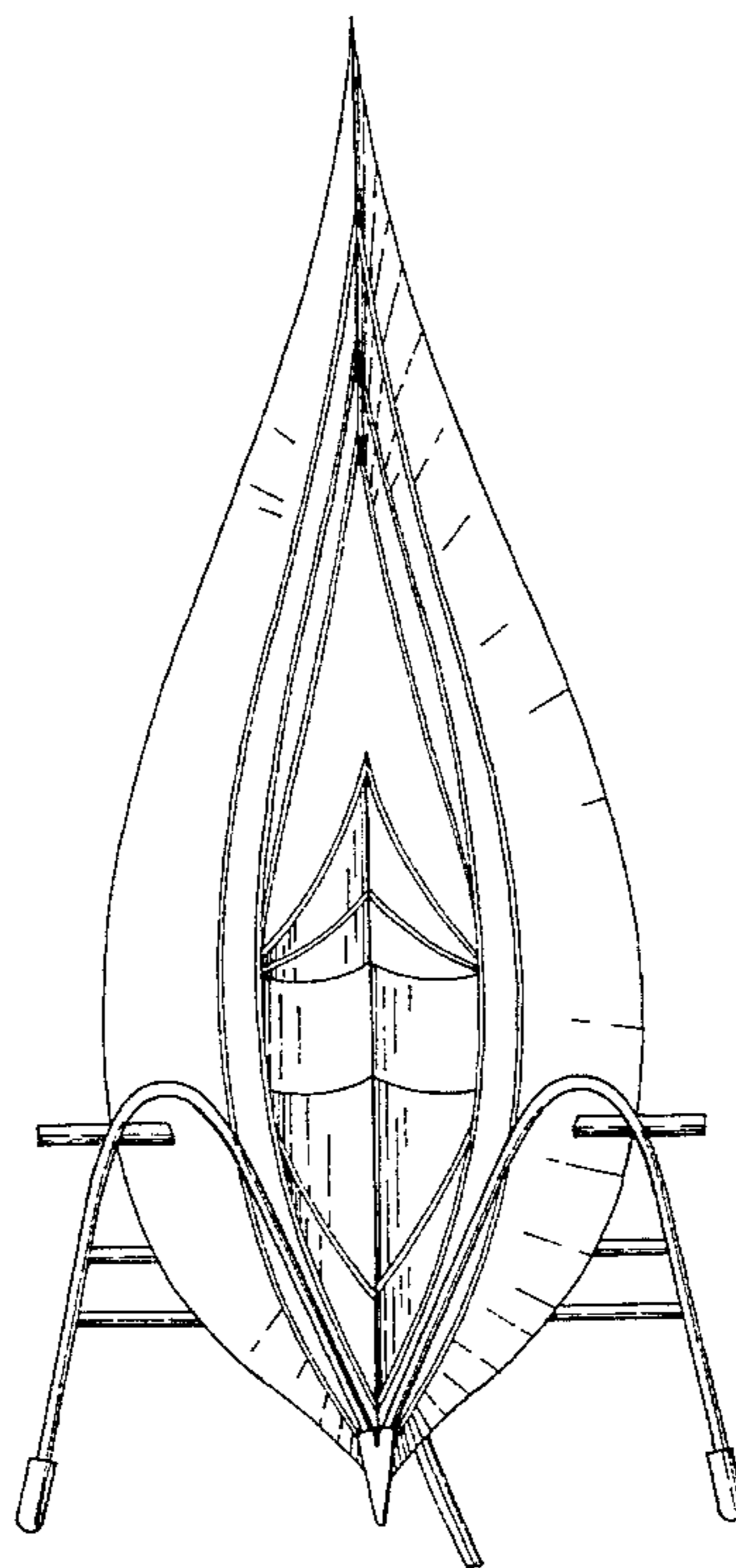
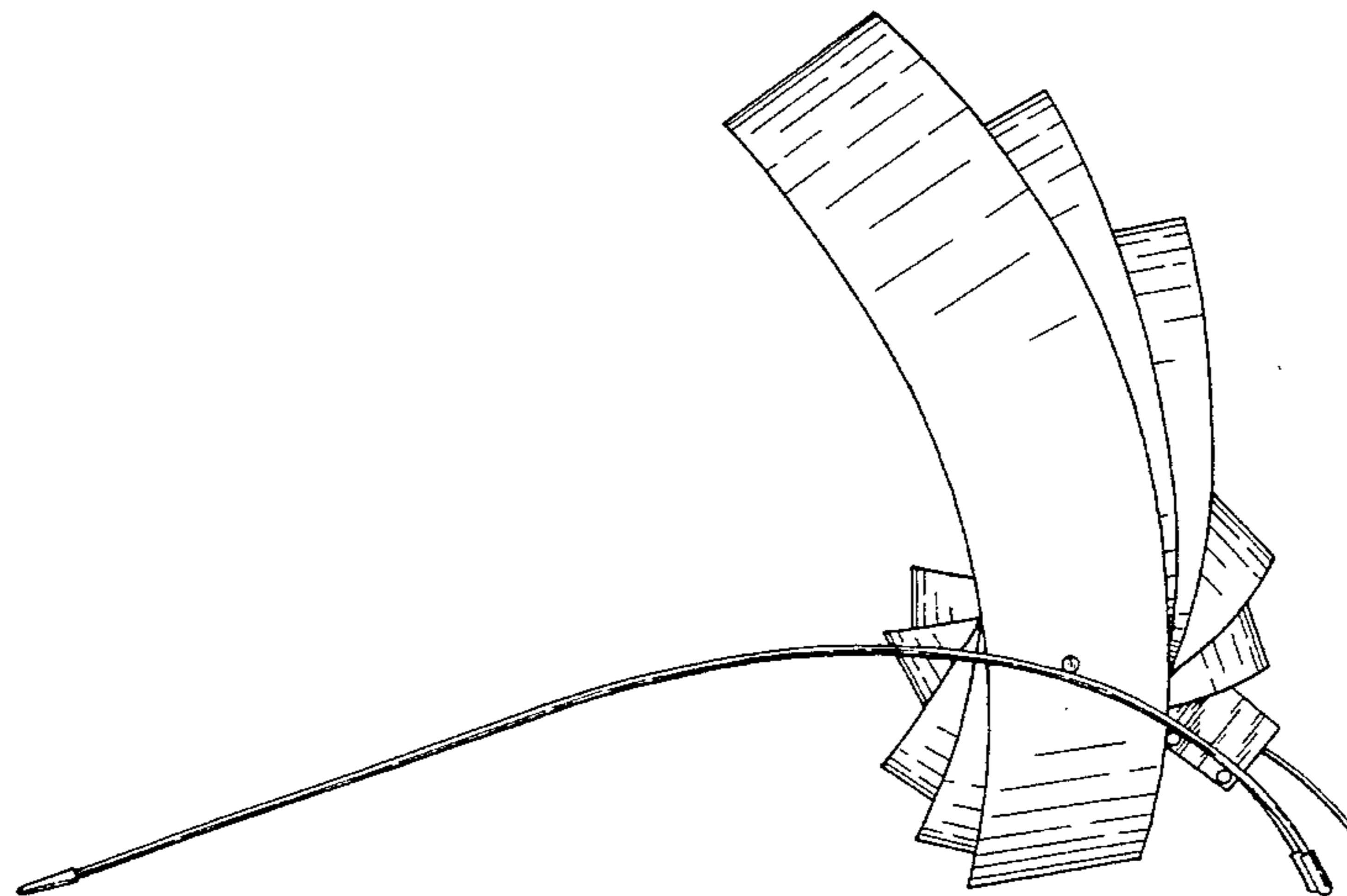


FIG 1

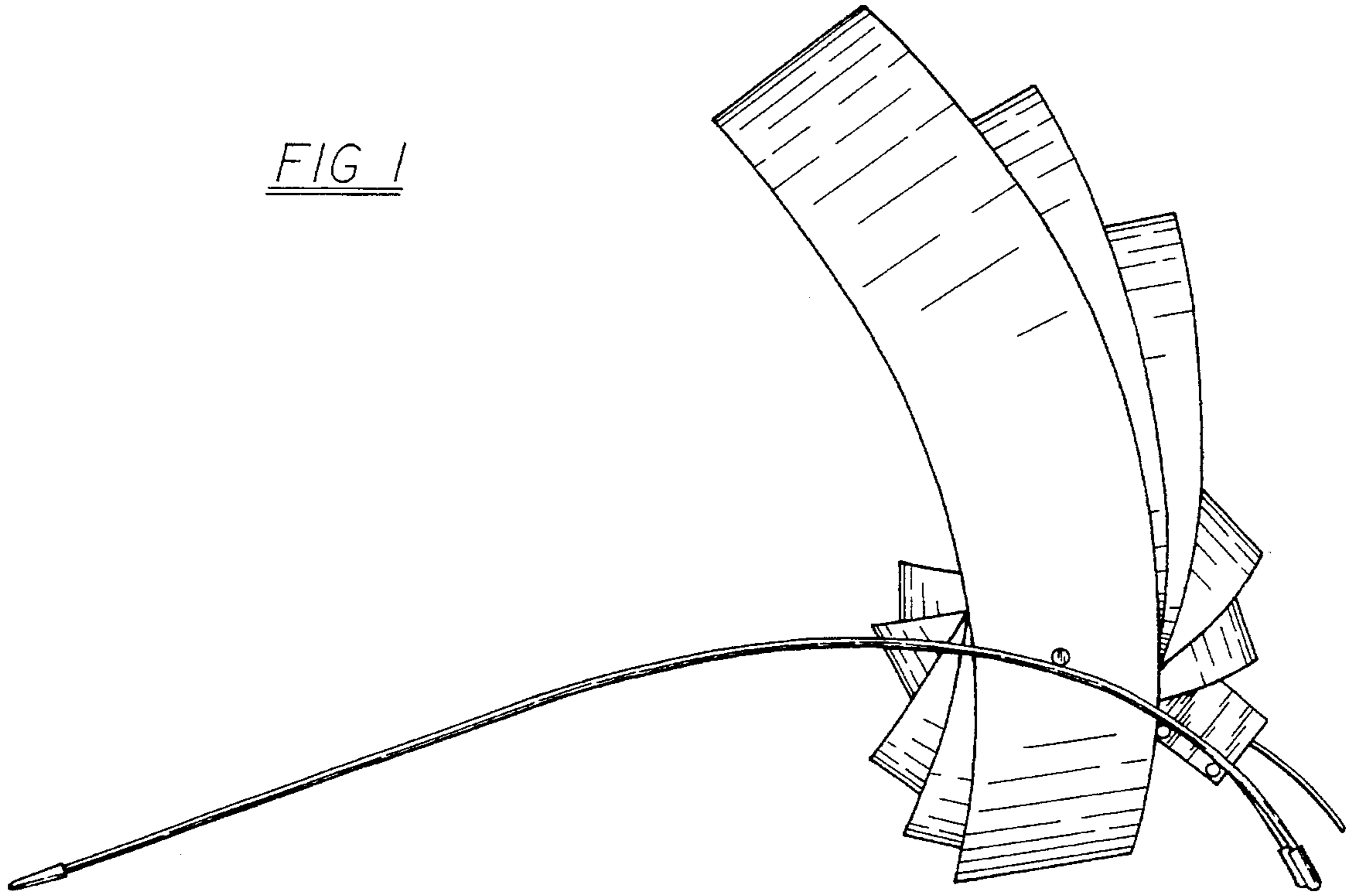


FIG 2

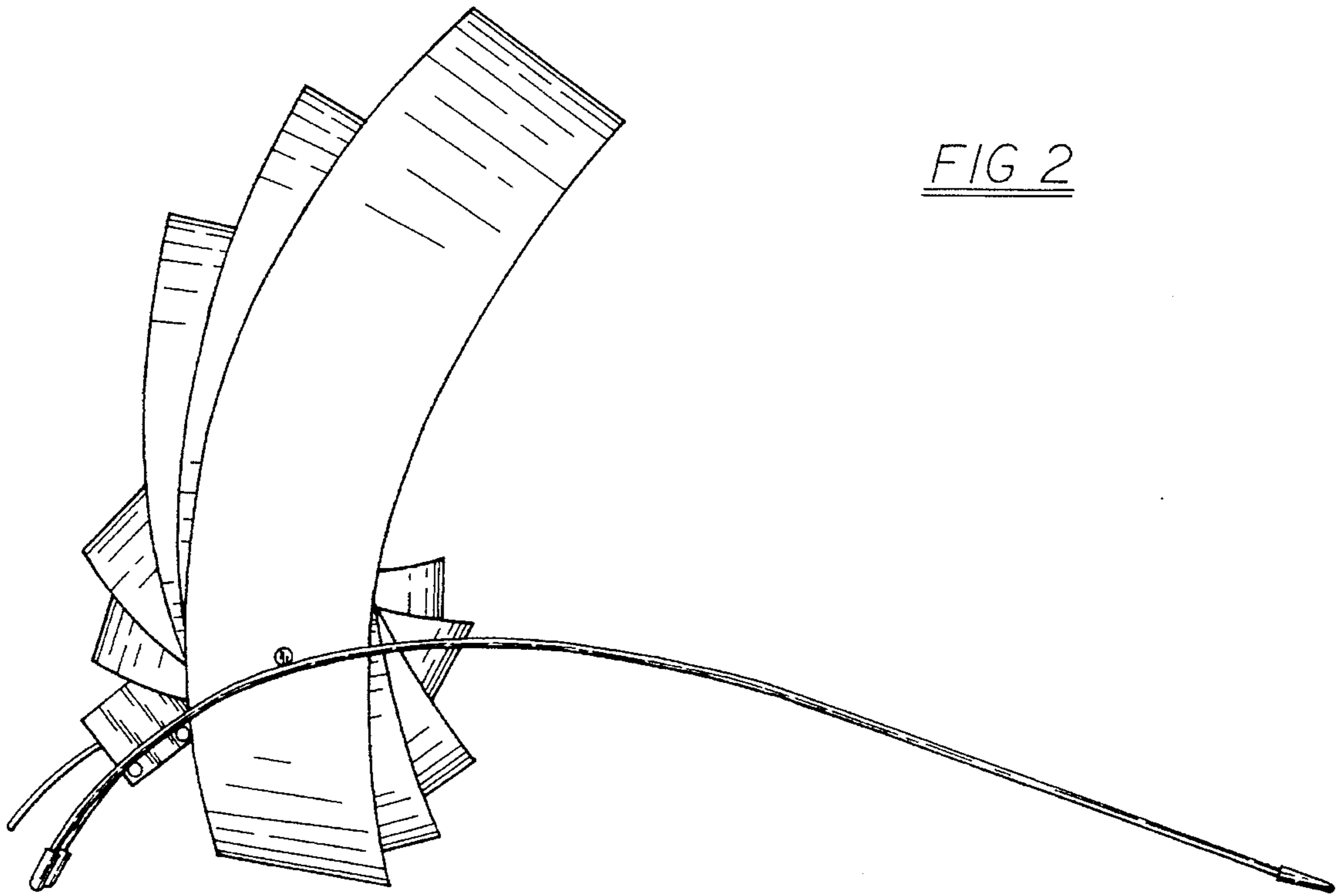


FIG 3

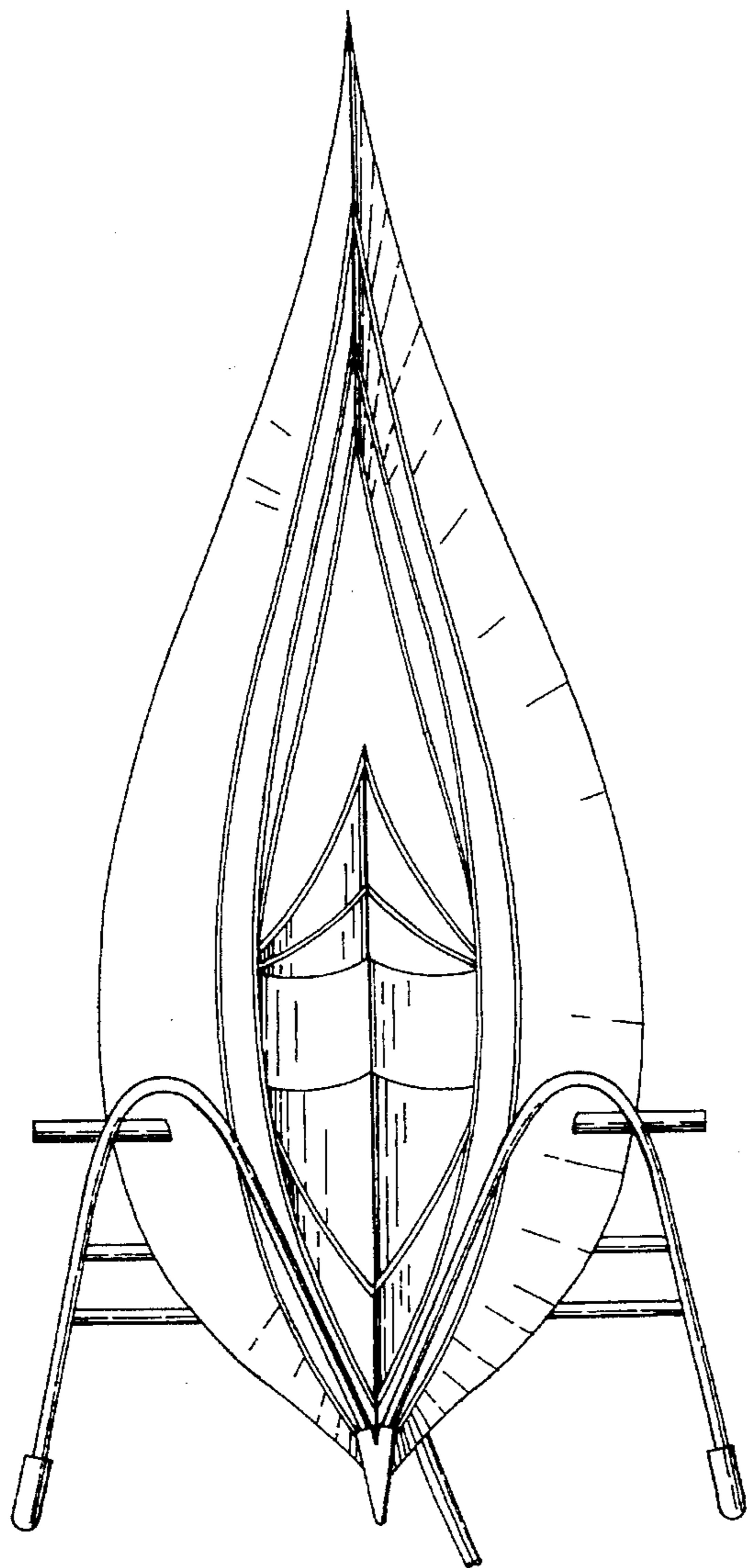


FIG 4

