



US00D376220S

United States Patent [19]

Pearce et al.

[11] Patent Number: **Des. 376,220**

[45] Date of Patent: ****Dec. 3, 1996**

[54] **LIGHT FIXTURE FOR USE WITH A CEILING FAN**

D. 339,204	9/1993	Holbrook	D26/85
4,342,073	7/1982	Ranten	362/147 X
4,514,792	4/1985	Klaus	362/147 X

[75] Inventors: **Richard A. Pearce**, Memphis; **Masao Tsuji**, Germantown, both of Tenn.

Primary Examiner—Susan J. Lucas
Attorney, Agent, or Firm—Baker, Donelson, Bearman & Caldwell

[73] Assignee: **Hunter Fan Company**, Memphis, Tenn.

[**] Term: **14 Years**

[57] CLAIM

The ornamental design for a light fixture for use with a ceiling fan, as shown and described.

[21] Appl. No.: **14,841**

DESCRIPTION

[22] Filed: **Oct. 29, 1993**

[52] U.S. Cl. **D26/85**

[58] Field of Search D26/128-136,
D26/72, 80-96; 362/147, 404, 405, 406,
407, 408, 351, 353, 355

FIG. 1 is a bottom, side perspective view of a light fixture for use with a ceiling fan, showing our new design;
FIG. 2 is a side elevational view thereof, the remaining side views being the same but for the omission of the screw;
FIG. 3 is a top plan view thereof; and,
FIG. 4 is a bottom plan view of thereof.

[56] References Cited

U.S. PATENT DOCUMENTS

D. 331,101 11/1992 Rezek D26/85

1 Claim, 2 Drawing Sheets

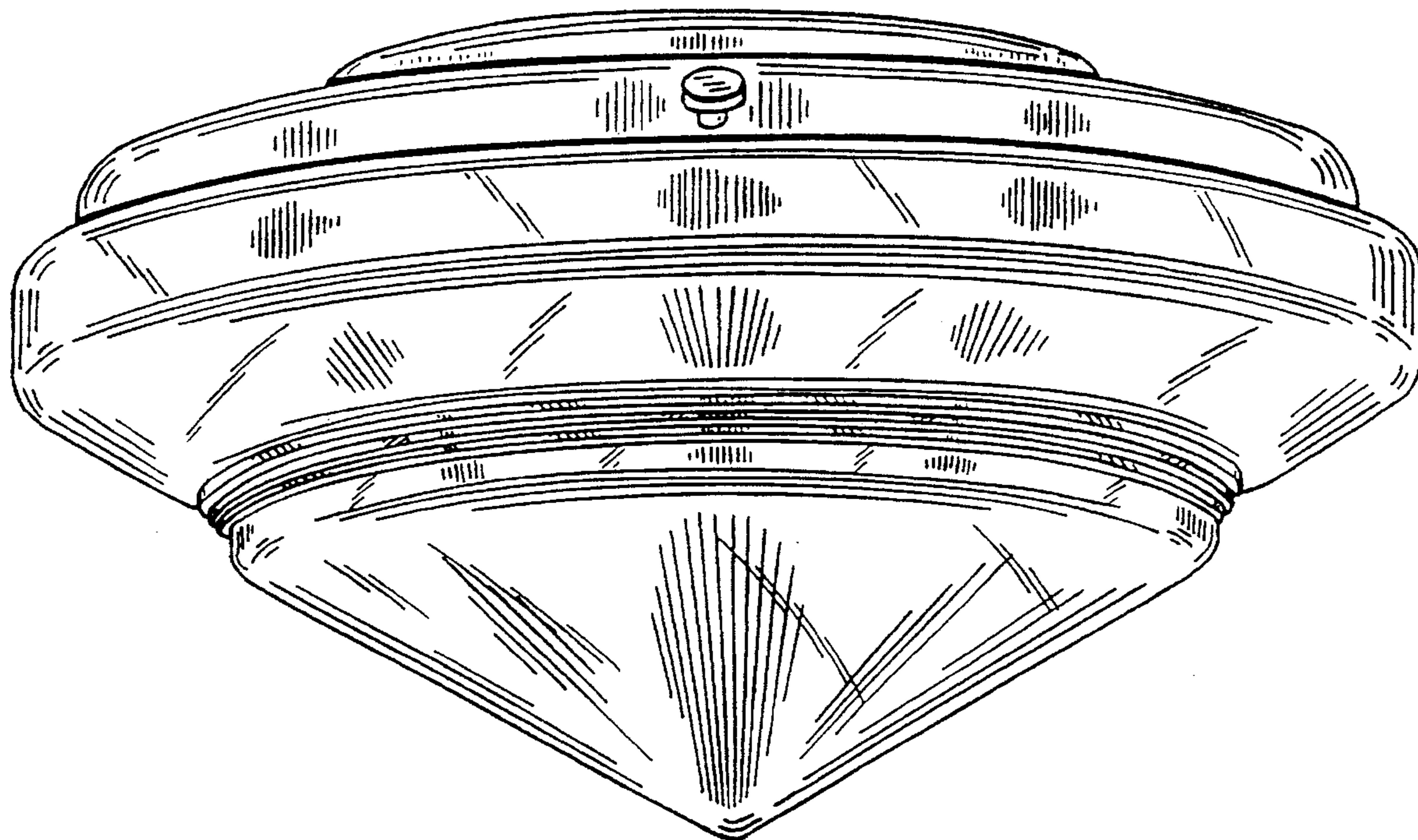


FIG. 1

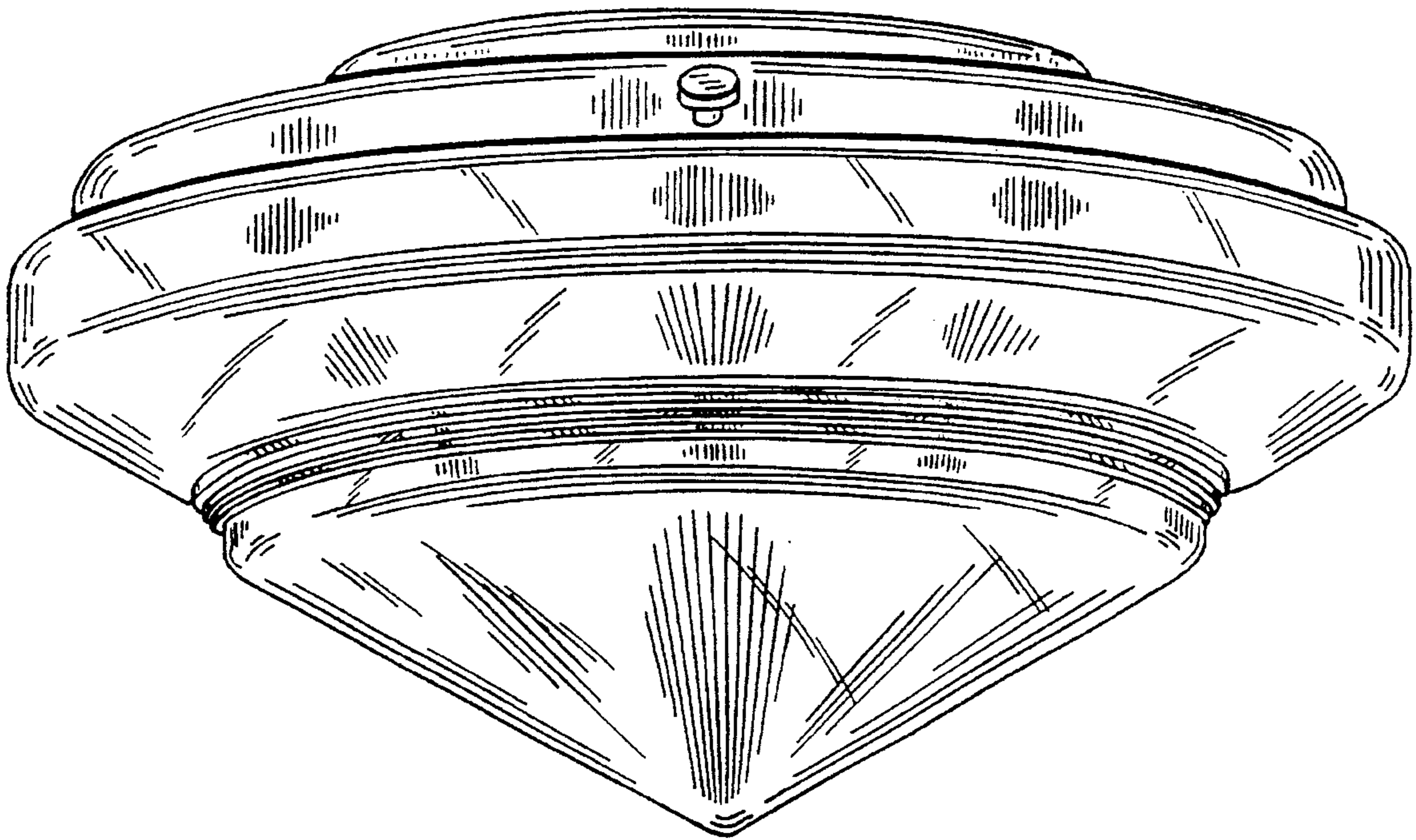
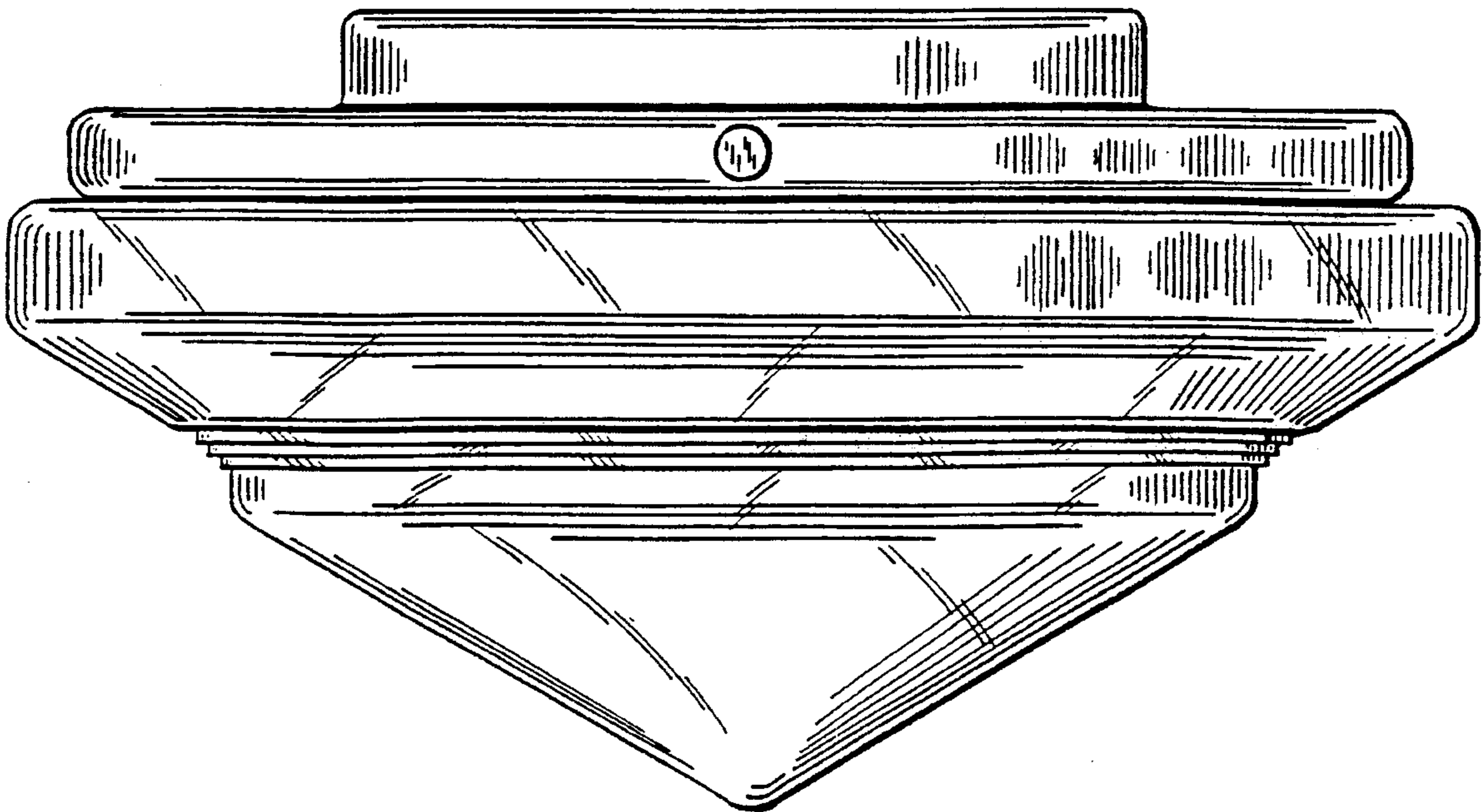


FIG. 2



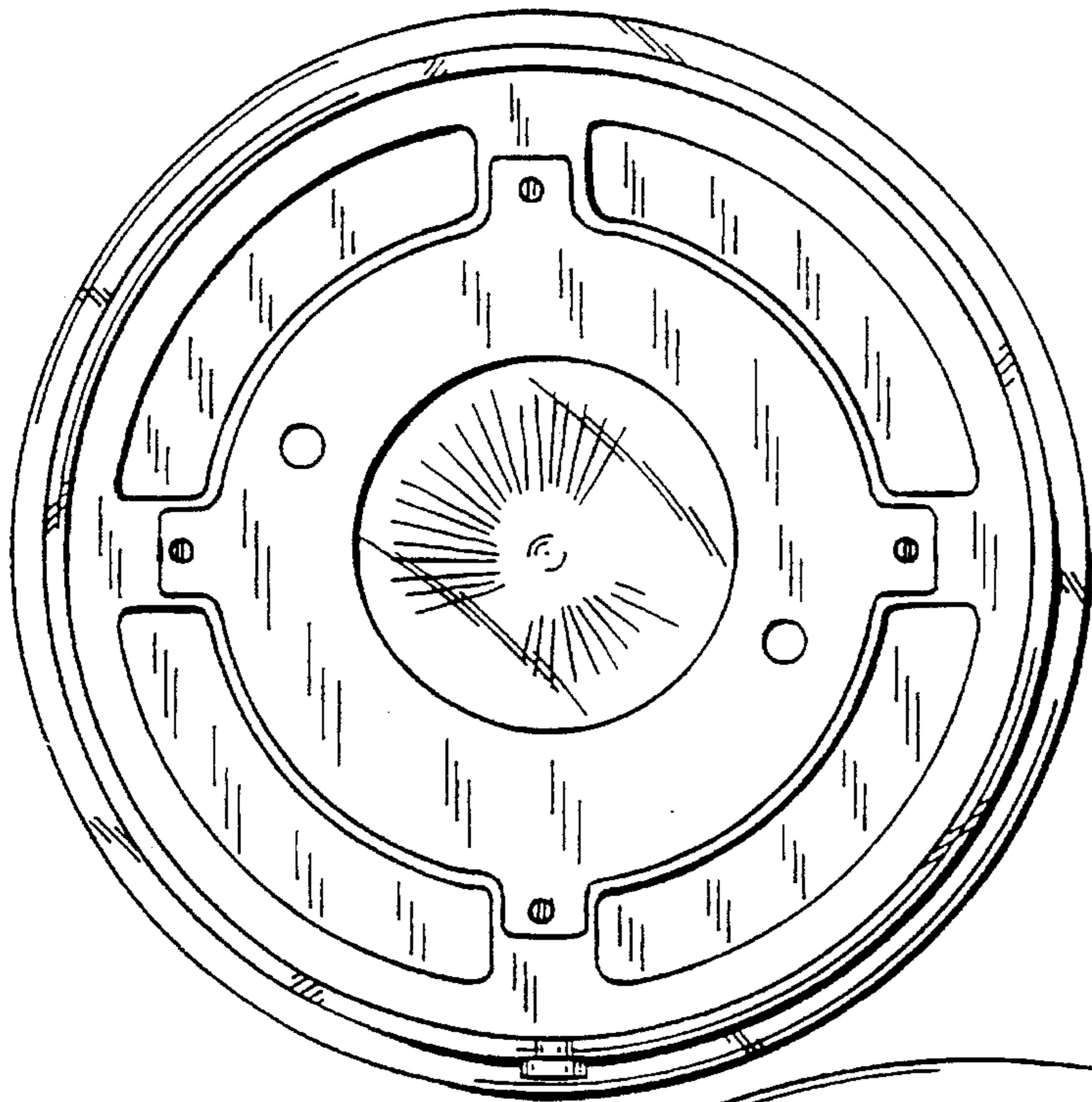


FIG. 3

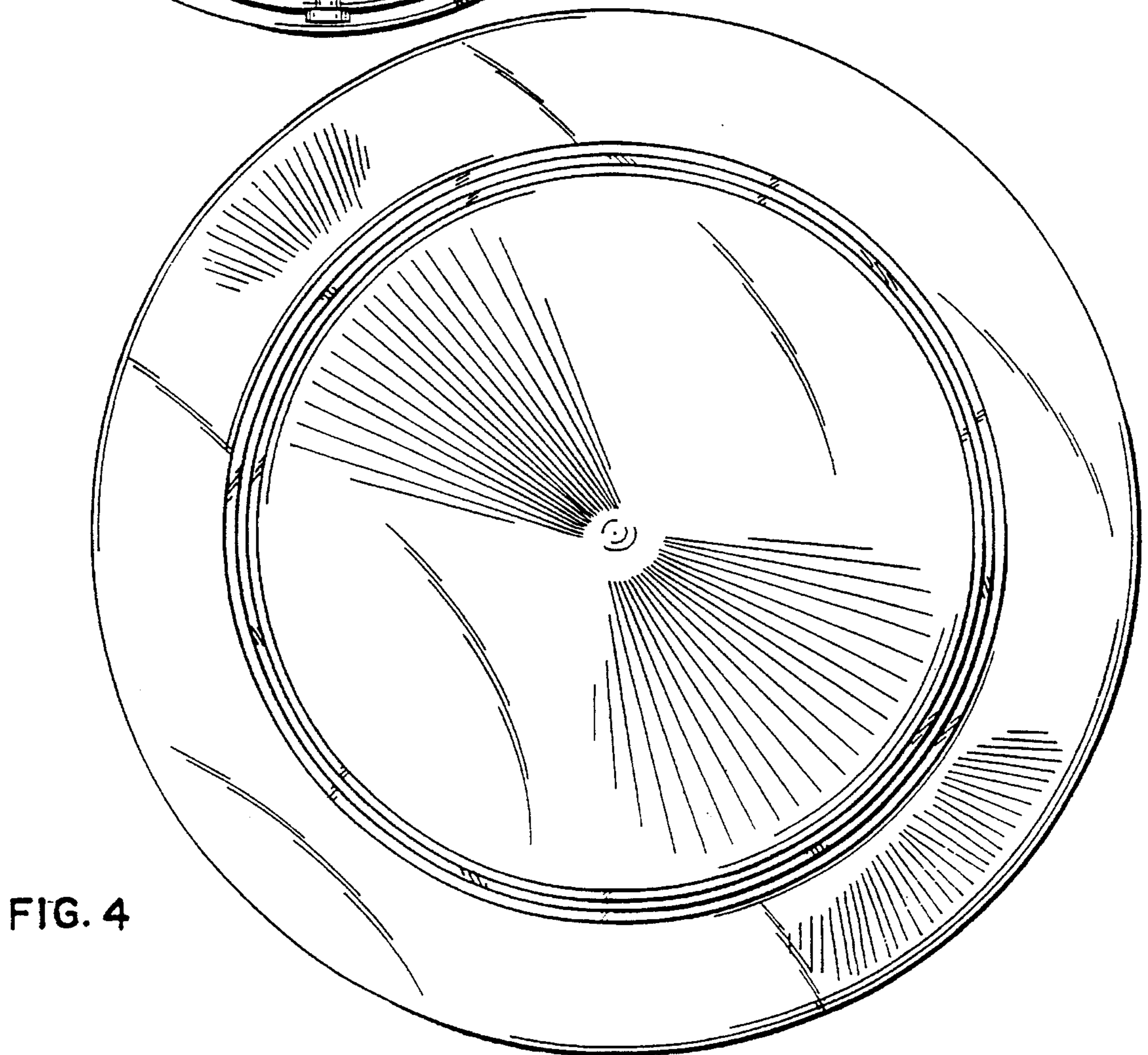


FIG. 4