



US00D376217S

United States Patent [19]
Kaiser

[11] **Patent Number: Des. 376,217**
[45] **Date of Patent: **Dec. 3, 1996**

[54] **LIGHT WITH FLEXIBLE HANDLE**

FOREIGN PATENT DOCUMENTS

[75] Inventor: **David W. Kaiser**, North Haven, Conn.

685931 8/1986 Japan D26/43

[73] Assignee: **Black & Decker Inc.**, Newark, Del.

Primary Examiner—A. Hugo Word
Assistant Examiner—Lavone D. Tabor
Attorney, Agent, or Firm—Barry E. Deutsch

[**] Term: **14 Years**

[57] **CLAIM**

[21] Appl. No.: **36,055**

The ornamental design for a light with flexible handle, as shown and described.

[22] Filed: **Mar. 13, 1995**

[52] **U.S. Cl.** **D26/43**

[58] **Field of Search** D26/37, 38, 43,
D26/46, 49, 60; 362/157, 158, 184, 189-191,
198, 199, 202-205, 207, 208

DESCRIPTION

FIG. 1 is a perspective view taken from the front, top and right side of a light with flexible handle illustrating my new design;

FIG. 2 is a right side elevational view thereof;

FIG. 3 is a left side elevational view thereof;

FIG. 4 is a front elevational view thereof;

FIG. 5 is a rear elevational view thereof;

FIG. 6 is a top plan view thereof; and,

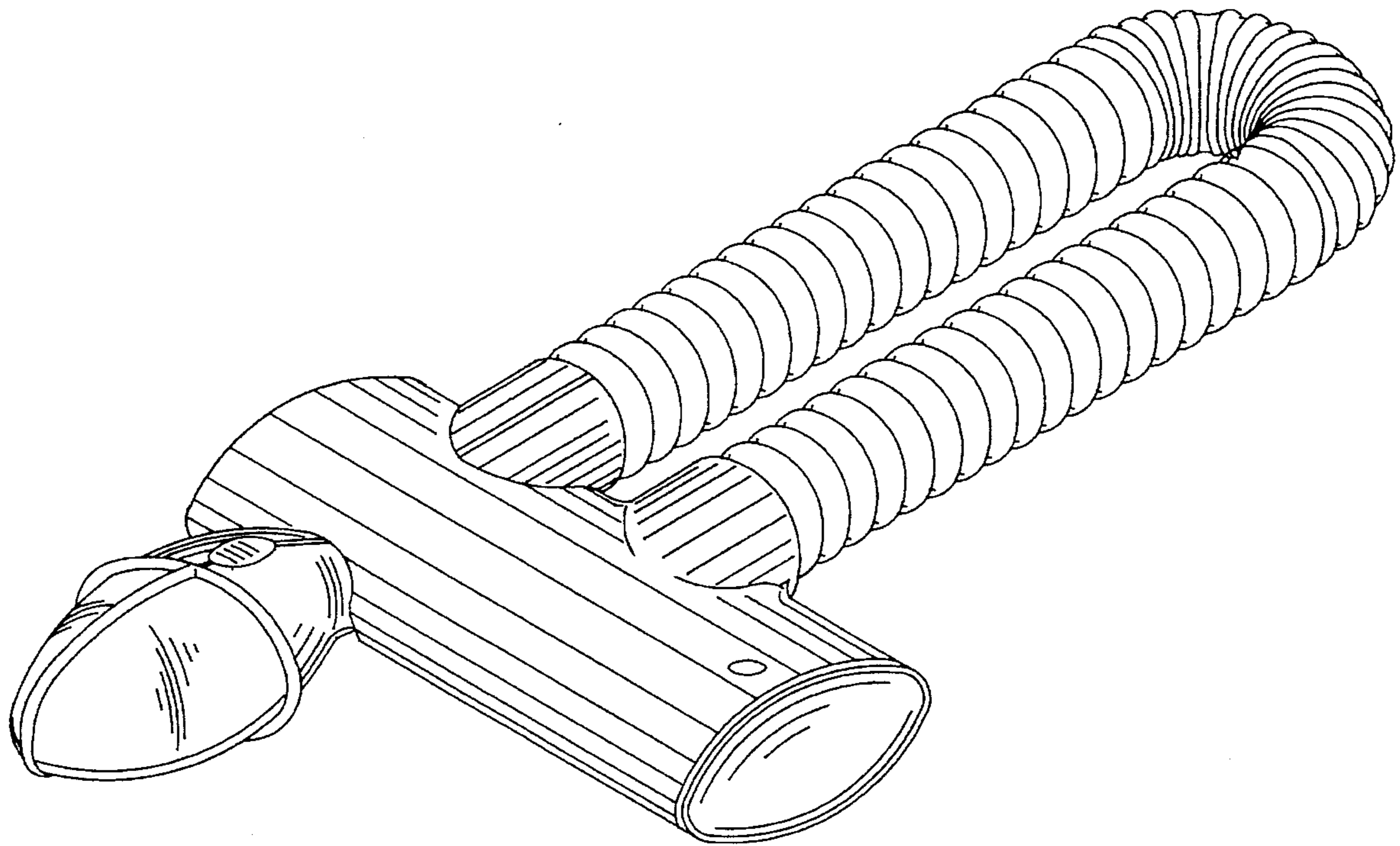
FIG. 7 is a bottom plan view thereof.

[56] **References Cited**

U.S. PATENT DOCUMENTS

D. 147,258	8/1947	Becker	D26/43
D. 166,073	3/1952	Dunkelberger	D26/43
D. 314,246	1/1991	Bache	D26/62
3,111,277	11/1963	Grimsley	362/197

1 Claim, 4 Drawing Sheets



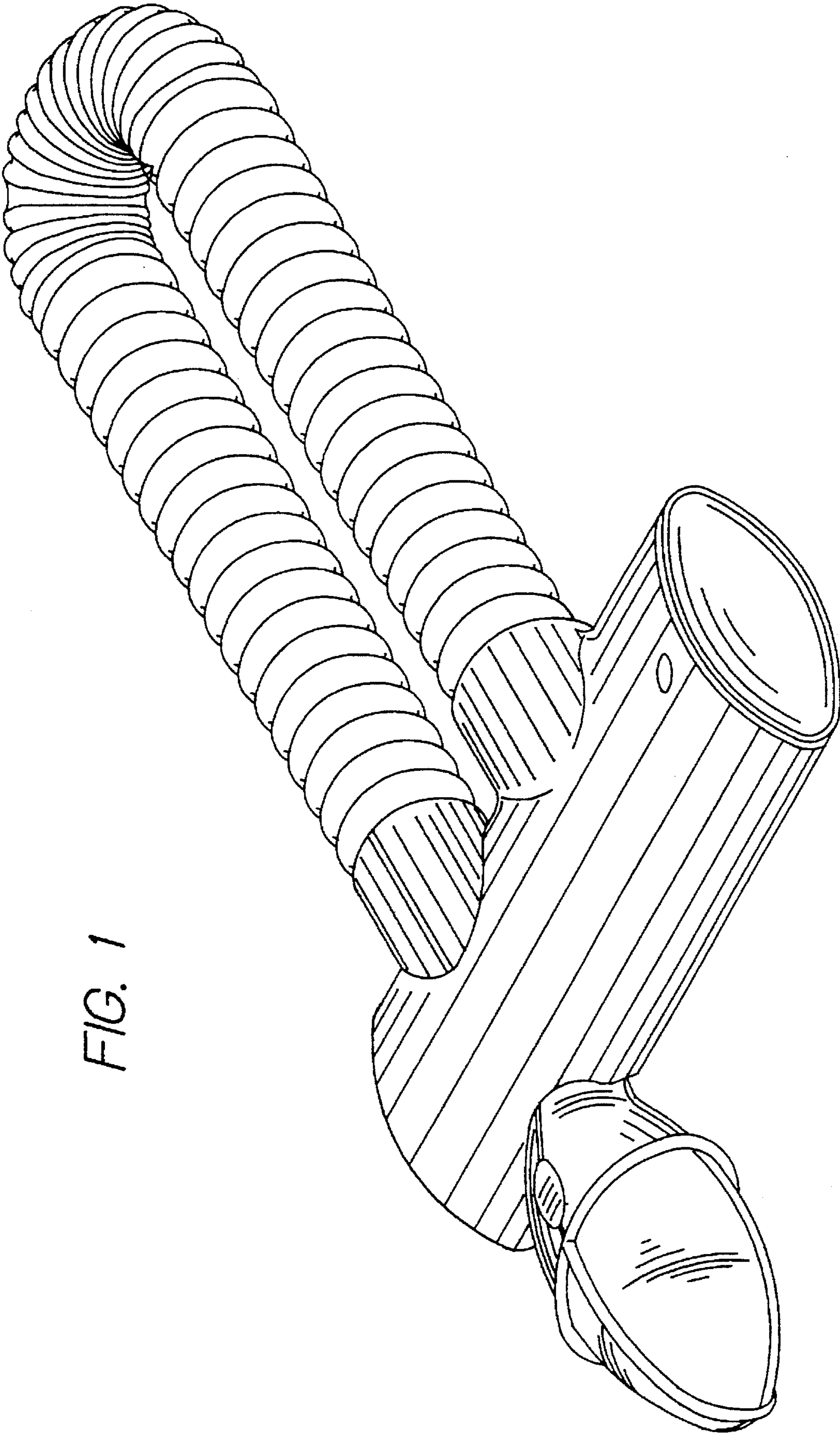


FIG. 1

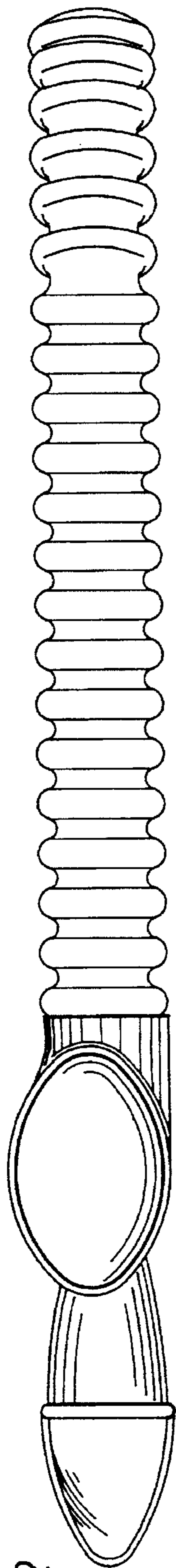


FIG. 2

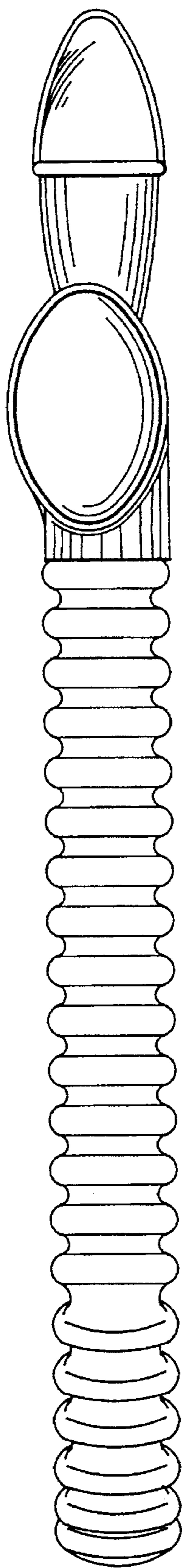


FIG. 3

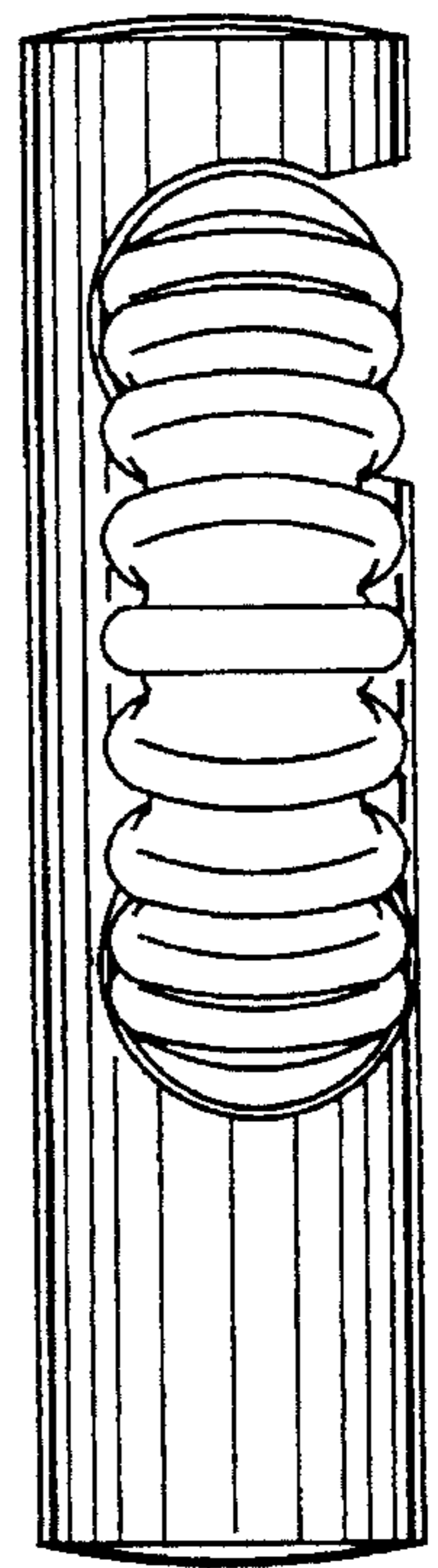


FIG. 4

FIG. 5

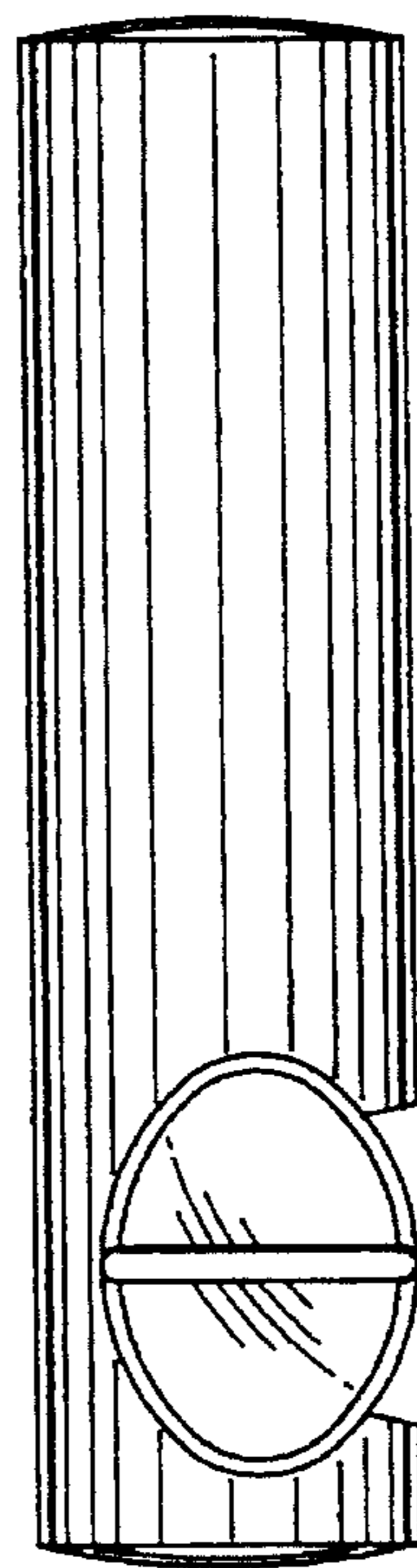


FIG. 6

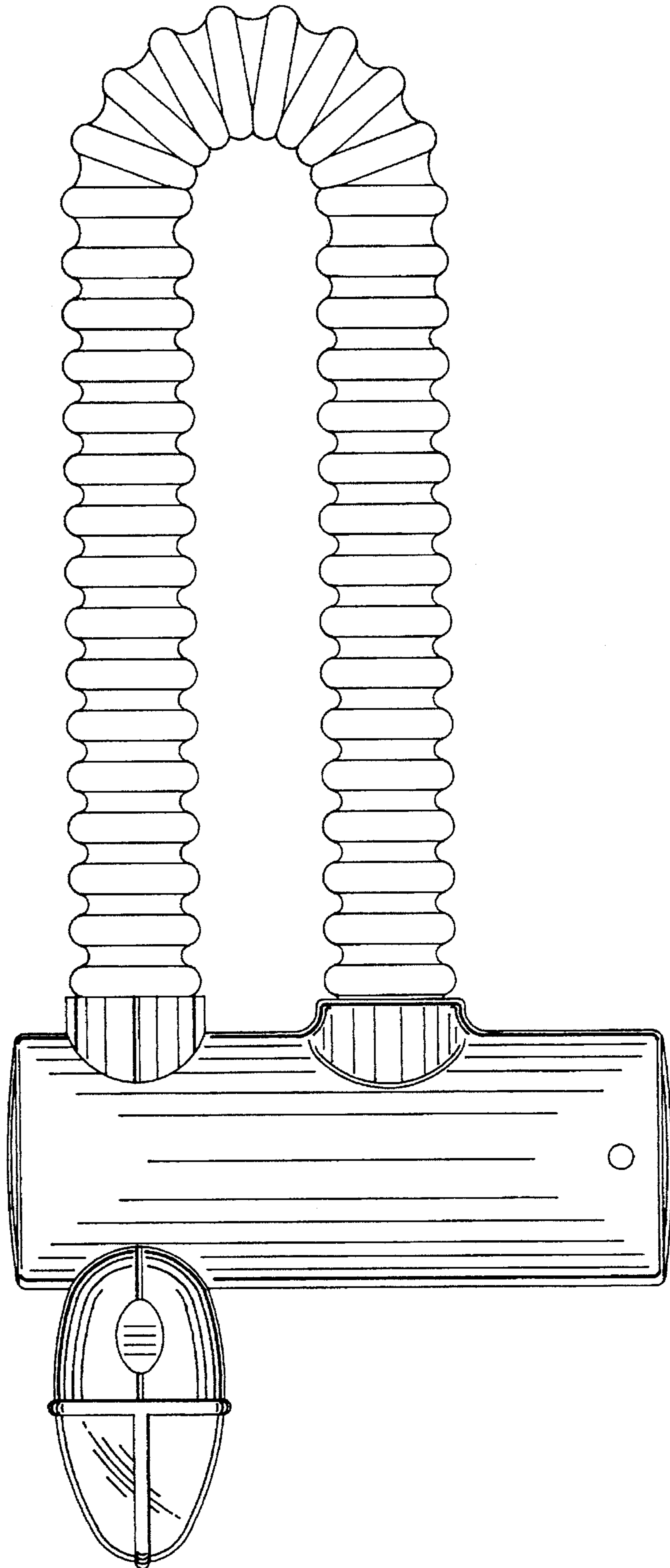


FIG. 7

