



US00D376216S

United States Patent [19]

[11] Patent Number: Des. 376,216

Yuen

[45] Date of Patent: **Dec. 3, 1996

[54] PERSONAL SECURITY ALARM WITH TWIN LIGHT

D. 344,152	2/1994	Yuen	D26/42
D. 349,069	7/1994	Langley	D10/106
D. 351,674	10/1994	Journeau et al.	D10/106
D. 362,816	10/1995	Yuen	D10/106

[75] Inventor: John S. Yuen, Kowloon, Hong Kong

[73] Assignee: John Manufacturing Limited, Kowloon, Hong Kong

[**] Term: 14 Years

[21] Appl. No.: 42,692

[22] Filed: Aug. 15, 1995

[30] Foreign Application Priority Data

Feb. 22, 1995 [GB] United Kingdom 2045513

[52] U.S. Cl. D26/38; D10/106

[58] Field of Search D10/104, 106, D10/116, 121; 340/571, 572, 573; 362/157, 158, 160, 161, 168, 171, 172, 173, 178, 180, 183, 184, 186, 197, 198, 200-208

[56] References Cited

U.S. PATENT DOCUMENTS

D. 313,664	1/1991	Gibson	D26/42
D. 321,263	10/1991	Yuen	D26/38
D. 325,644	4/1992	Yuen	D26/38
D. 343,468	1/1994	Yuen	D26/44

FOREIGN PATENT DOCUMENTS

2011361 8/1982 United Kingdom .

Primary Examiner—Marcus A. Jackson
Attorney, Agent, or Firm—Fay, Sharpe, Beall, Fagan, Minnich & McKee

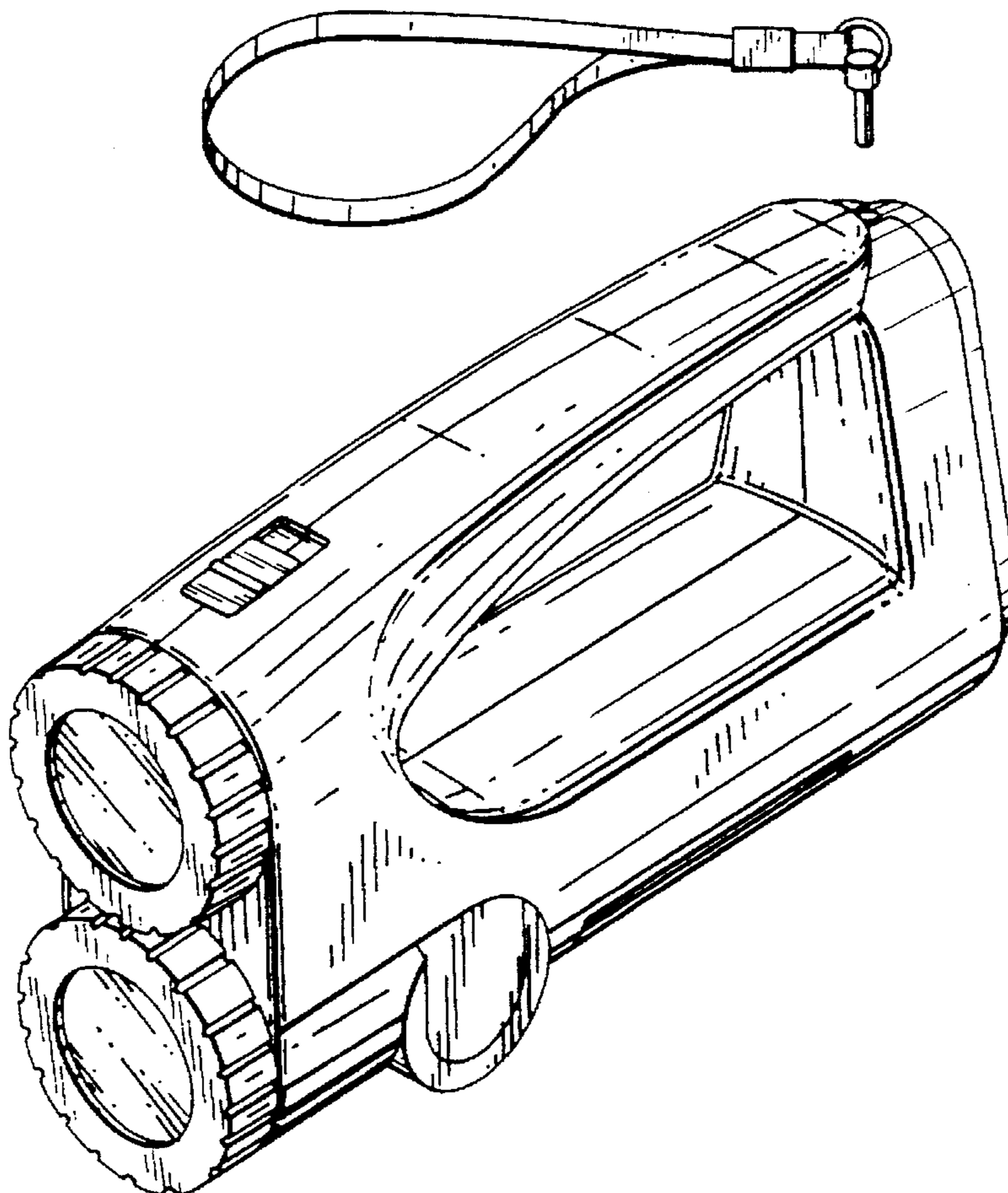
[57] CLAIM

The ornamental design for a personal security alarm with twin light, as shown and described.

DESCRIPTION

FIG. 1 is a top plan view of a personal security alarm with twin light showing my new design;
FIG. 2 is a front elevational view thereof;
FIG. 3 is a bottom plan view thereof;
FIG. 4 is a left side elevational view thereof;
FIG. 5 is a right side elevational view thereof;
FIG. 6 is a front, top and left side perspective view showing strap removed thereof; and,
FIG. 7 is a front elevational view showing a part in an alternative position thereof.

1 Claim, 2 Drawing Sheets



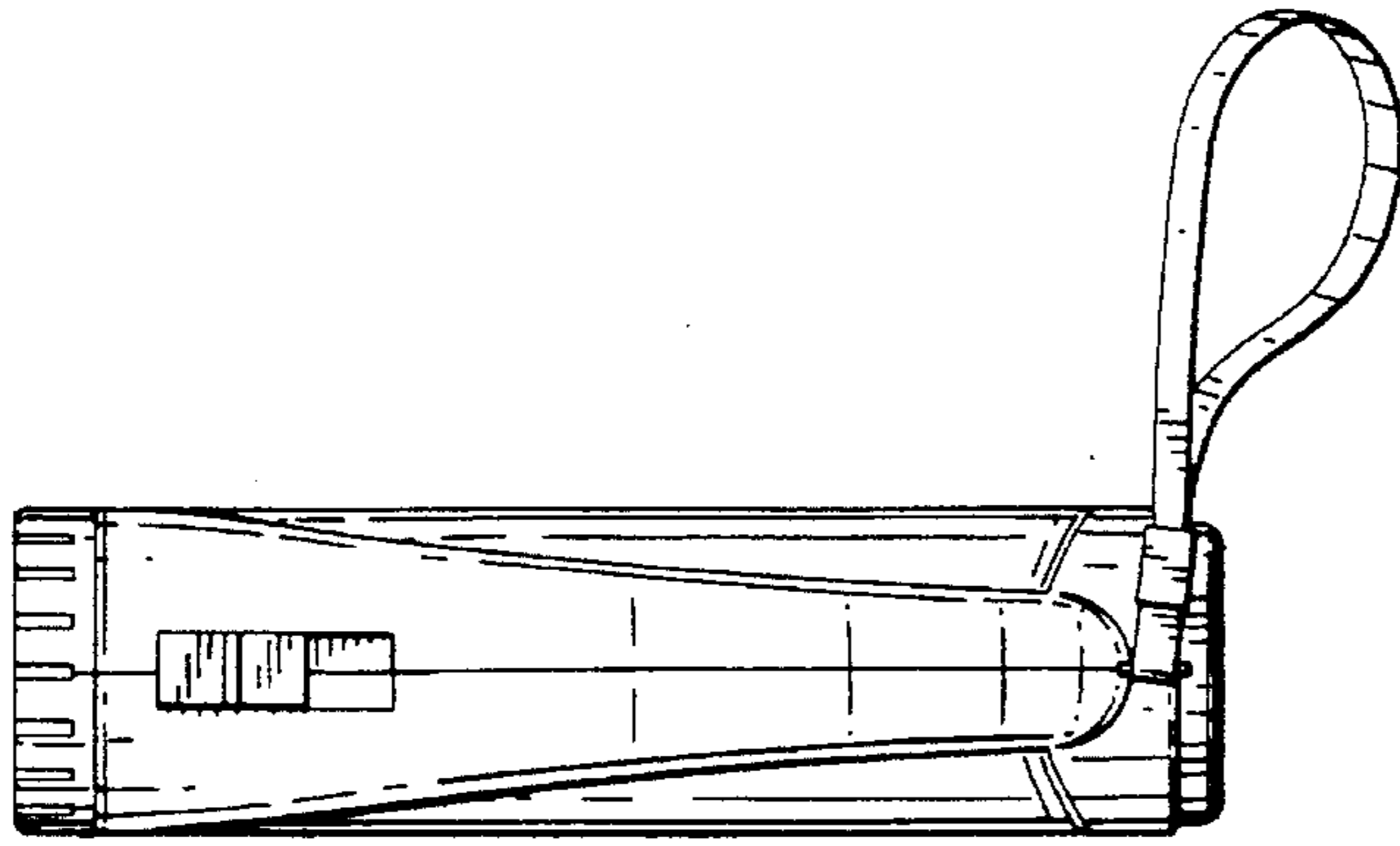


FIG. 1.

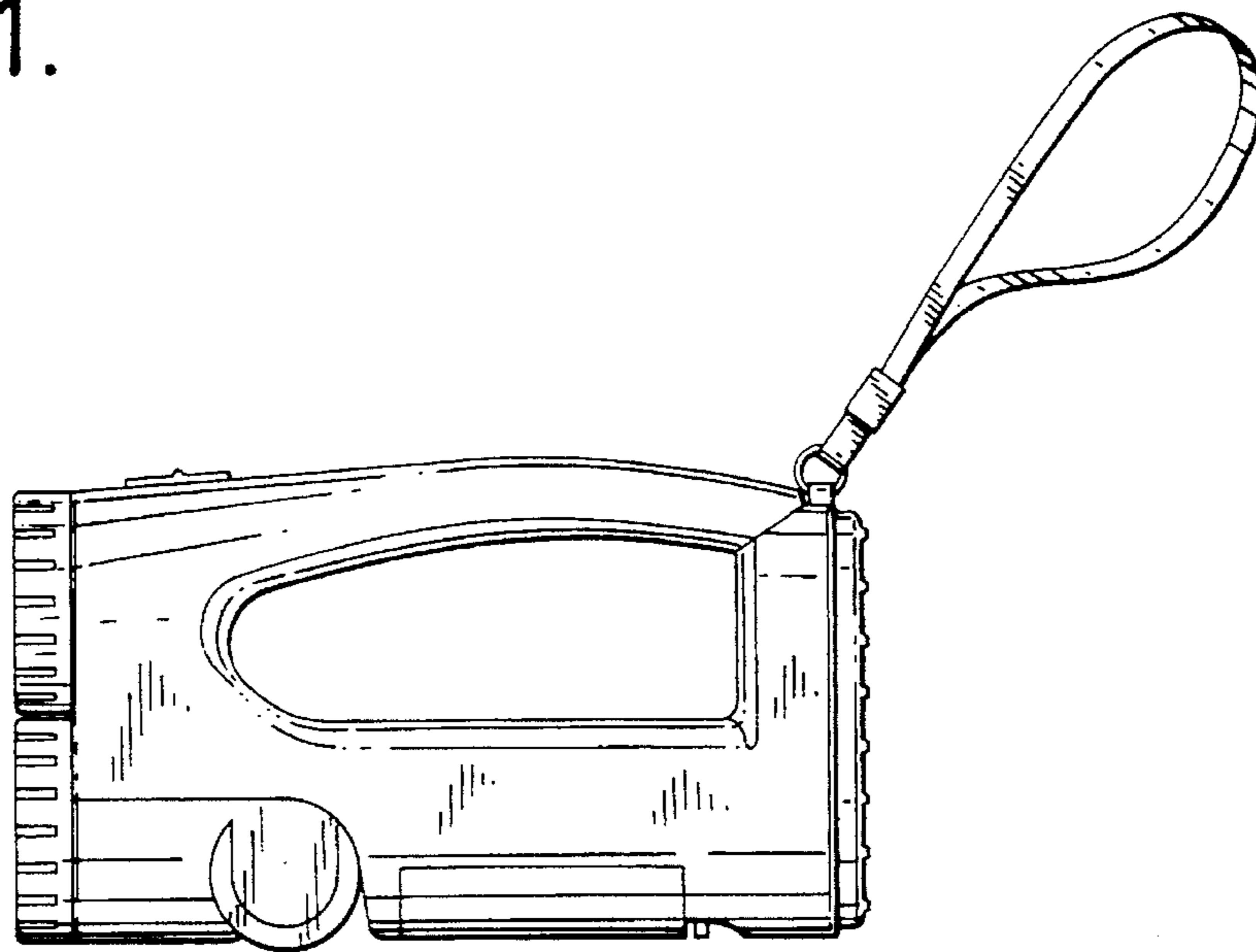


FIG. 2.

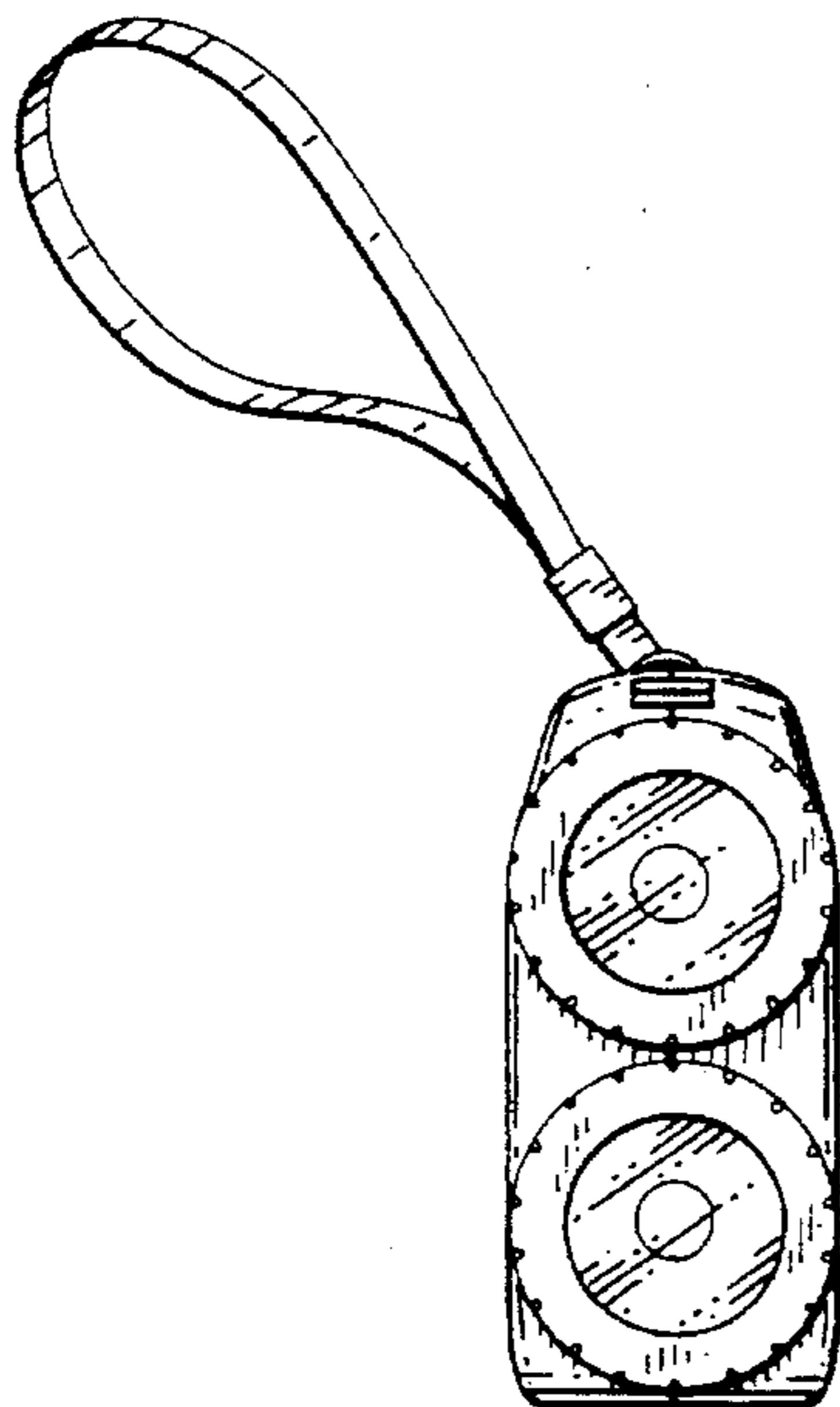


FIG. 4.

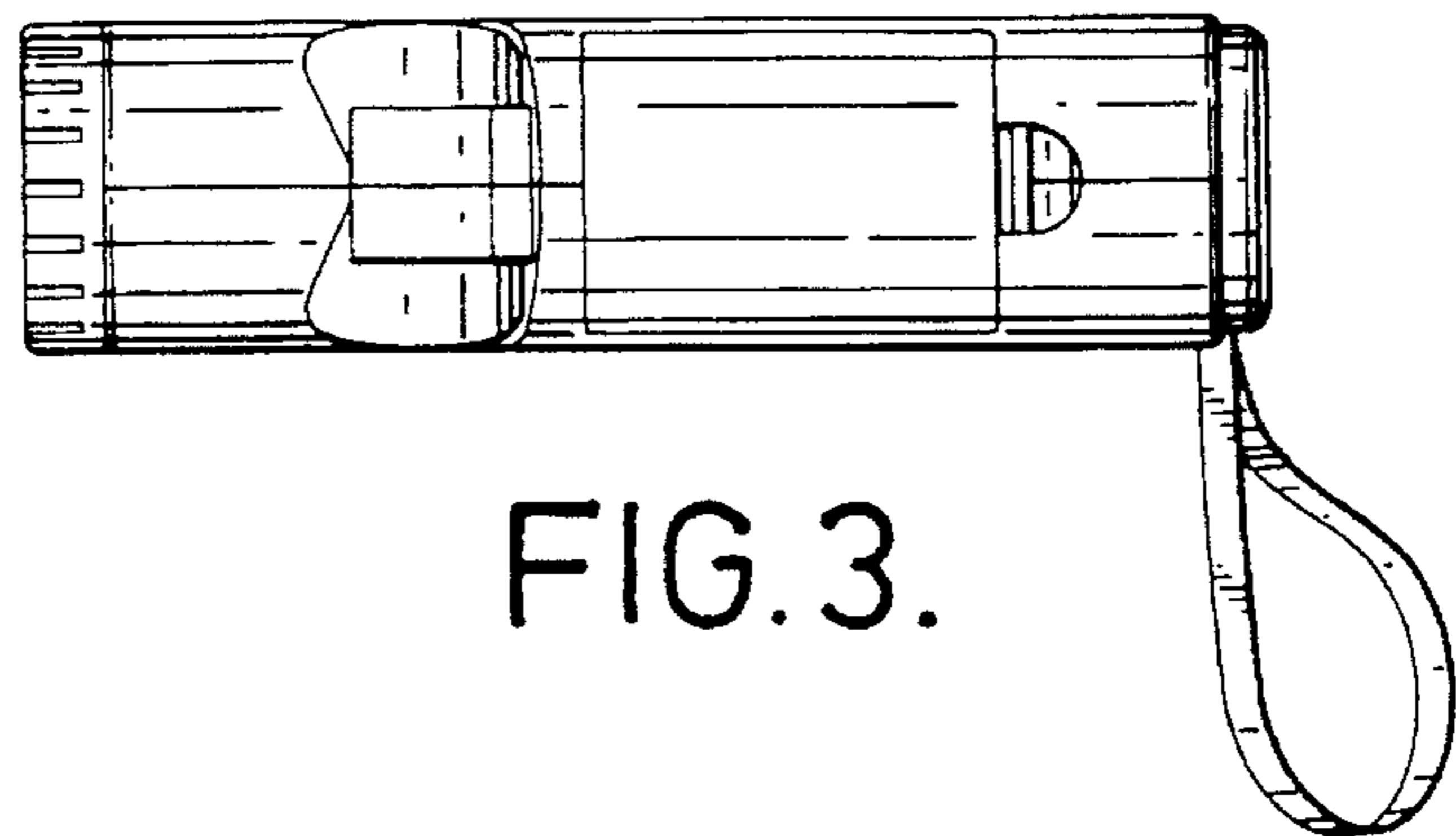


FIG. 3.

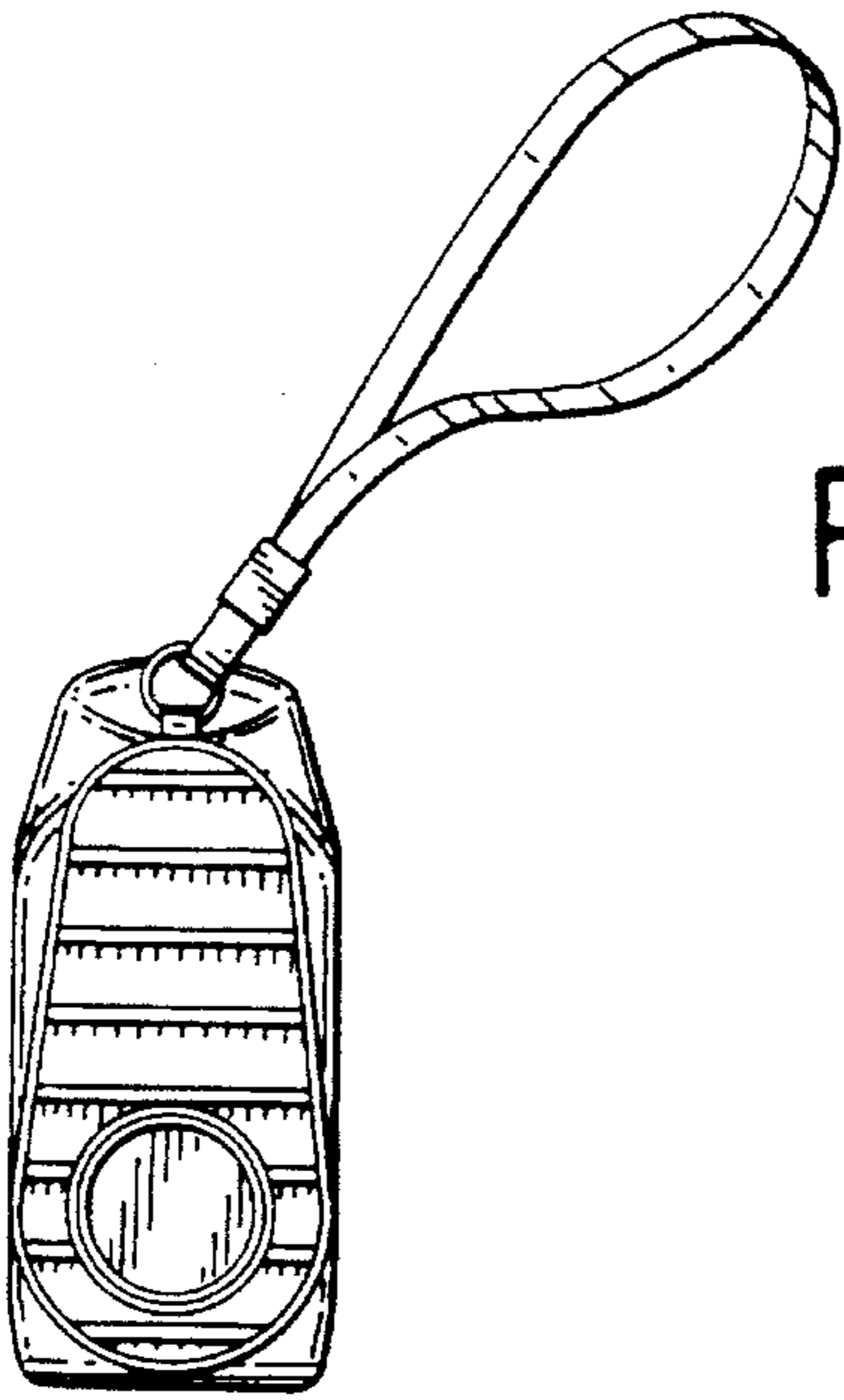


FIG. 5.

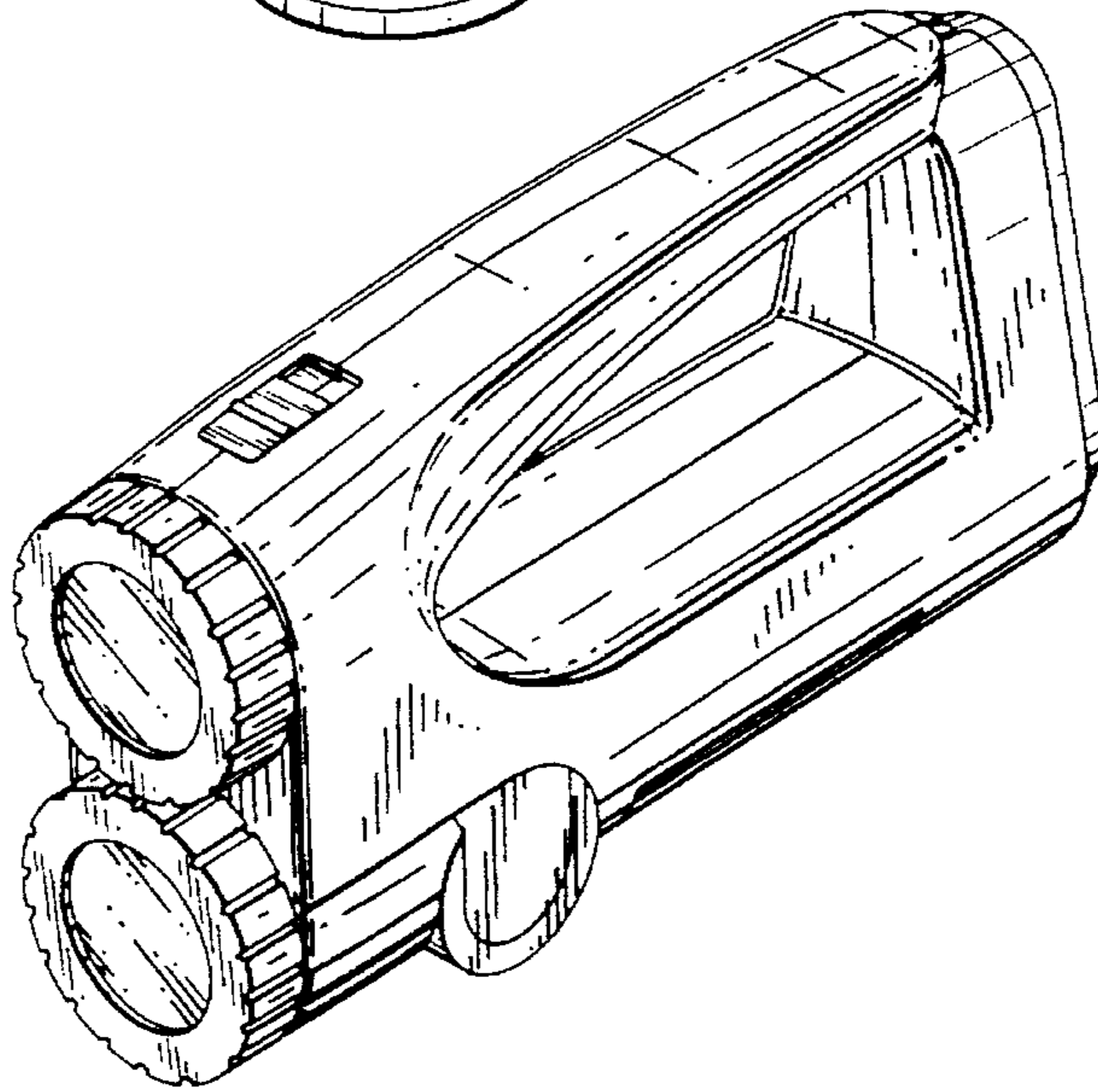
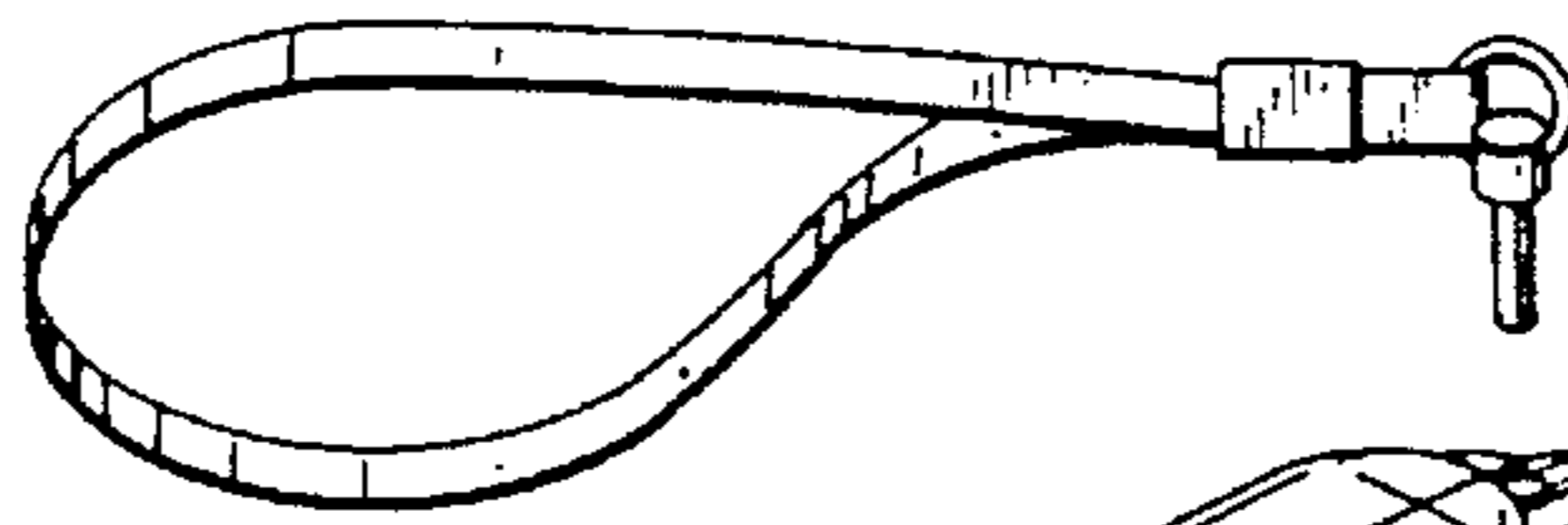


FIG. 6.

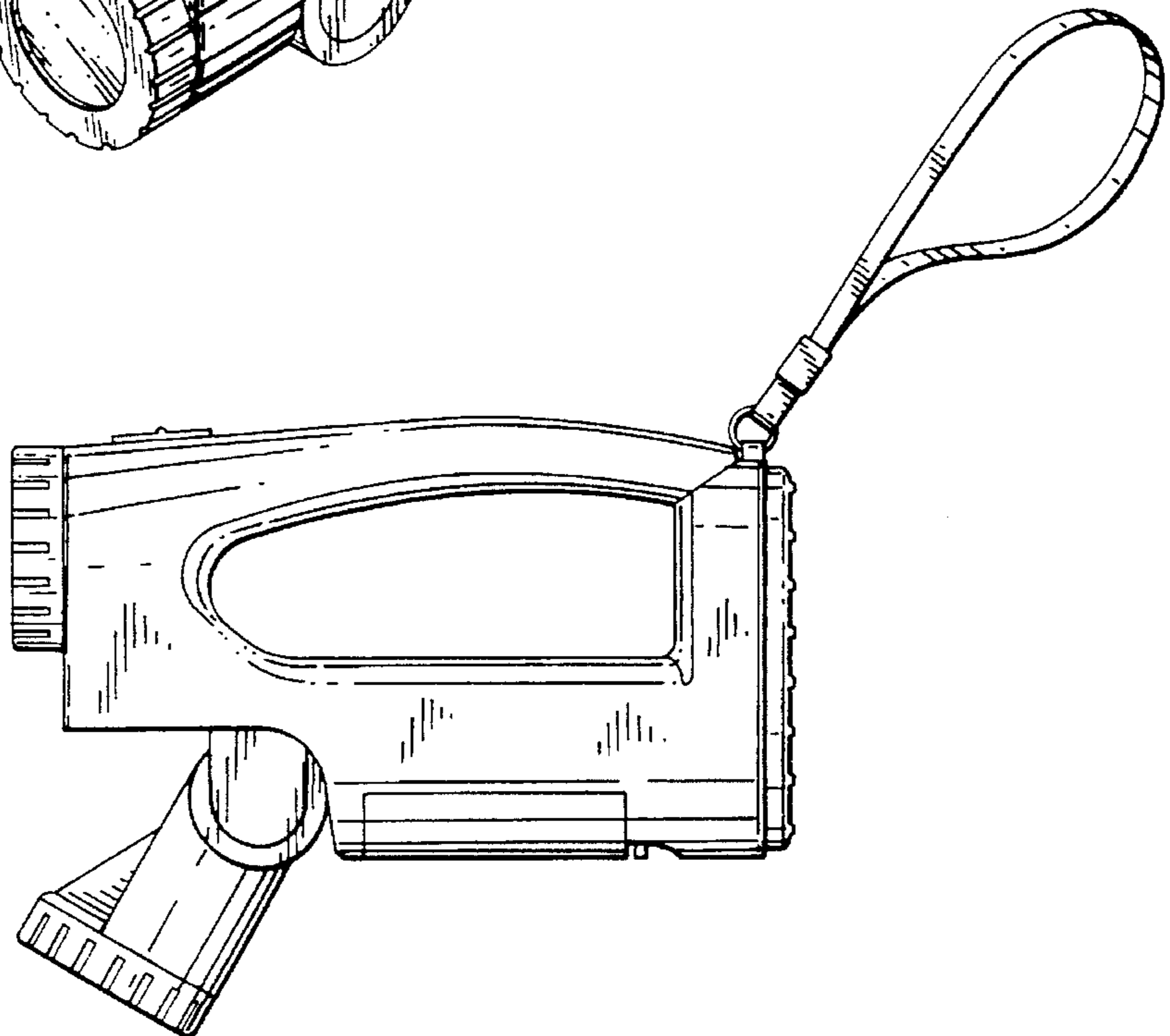


FIG. 7.