



US00D376214S

United States Patent [19]
Pinchuk

[11] **Patent Number: Des. 376,214**

[45] **Date of Patent: **Dec. 3, 1996**

[54] **NIGHT LIGHT**

[75] Inventor: **Rene C. Pinchuk**, Kensington, Calif.

[73] Assignee: **Sharper Image Corporation**, San Francisco, Calif.

[**] Term: **14 Years**

[21] Appl. No.: **47,255**

[22] Filed: **Nov. 30, 1995**

[52] U.S. Cl. **D26/26; D26/72**

[58] Field of Search **D26/72, 80-92,
D26/26, 37, 39, 118, 122; 362/226, 147,
432**

[56] **References Cited**

U.S. PATENT DOCUMENTS

- D. 104,231 4/1937 Arenberg D26/122
- D. 352,564 11/1994 Marischen D26/26
- 4,549,250 10/1985 Spector 362/226 X

OTHER PUBLICATIONS

Limelite™ Nightlights, product No.: XP100, The Sharper Image Catalog (May 1995) p. 112.

Primary Examiner—Susan J. Lucas

Attorney, Agent, or Firm—Flehr, Hohbach, Test, Albritton & Herbert

[57] **CLAIM**

The ornamental design for a night light, as shown and described.

DESCRIPTION

FIG. 1 is a top perspective view of a night light showing my new design;

FIG. 2 is a front elevation view thereof;

FIG. 3 is a top plan view thereof;

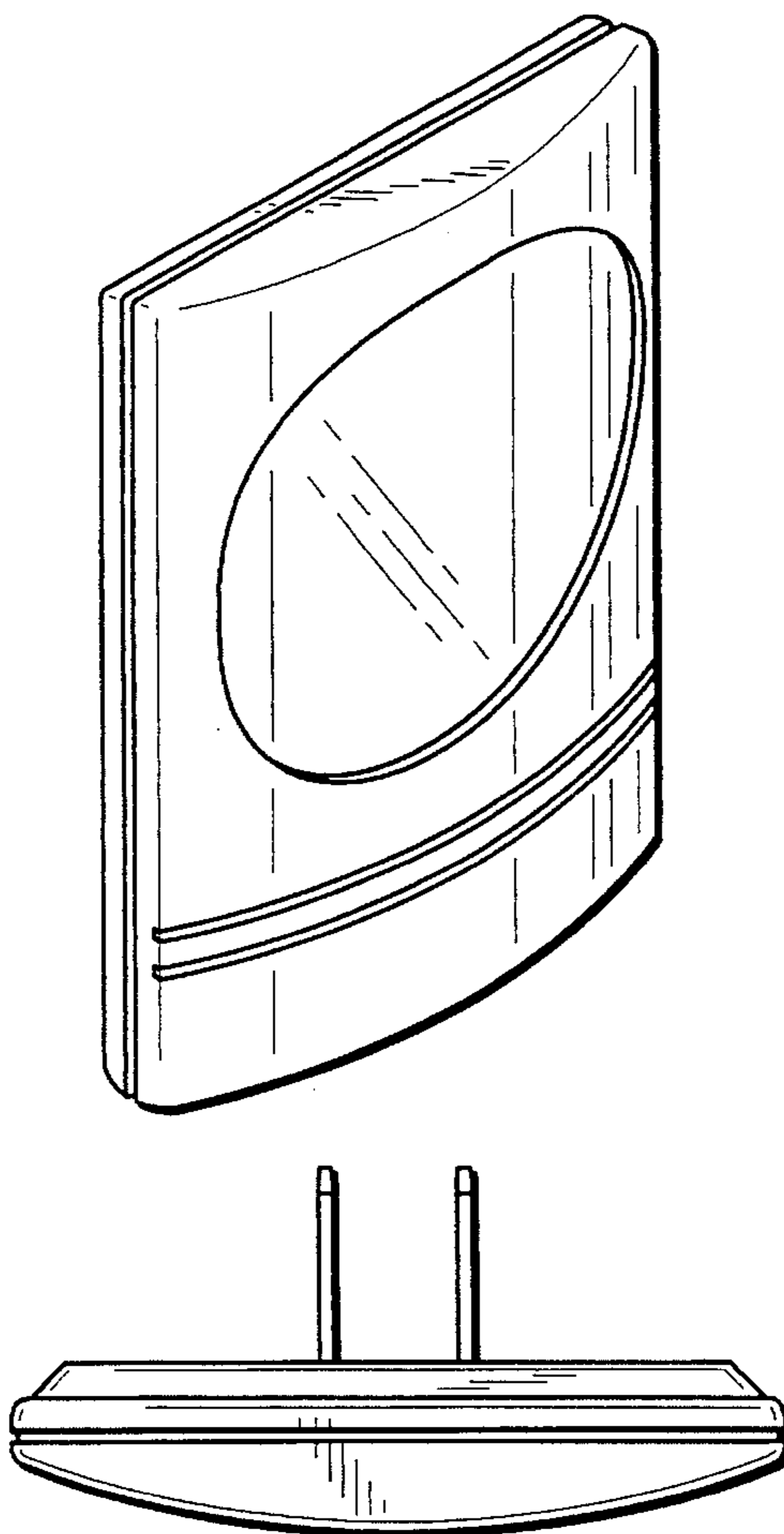
FIG. 4 is a side elevation view of one side thereof, the other side being a mirror-image of the one side;

FIG. 5 is a rear elevation view thereof;

FIG. 6 is a bottom plan view thereof; and,

FIG. 7 is a side elevation view thereof, in cross-section, taken along the line 7—7 in FIG. 2.

1 Claim, 2 Drawing Sheets



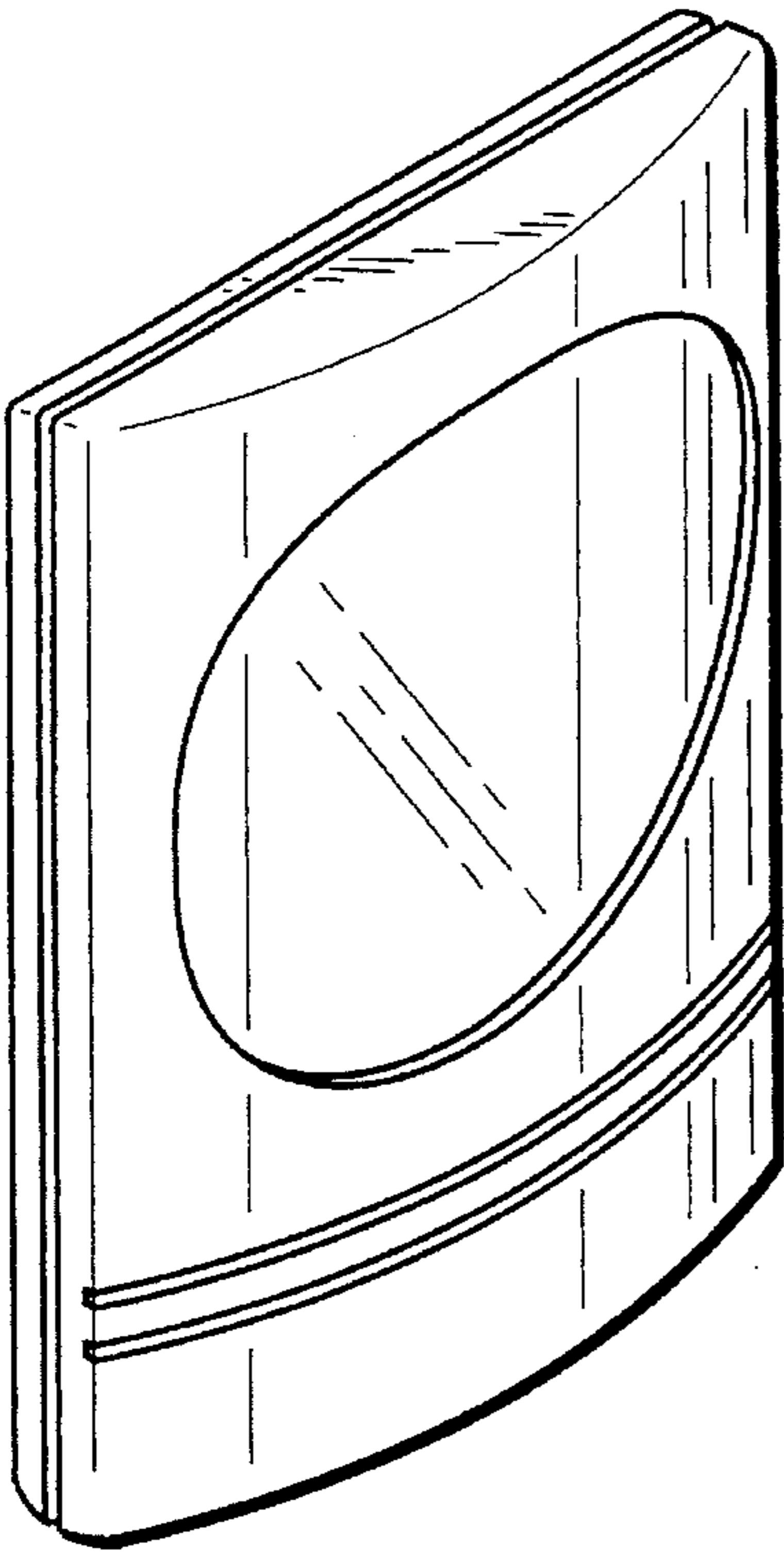


FIG._1

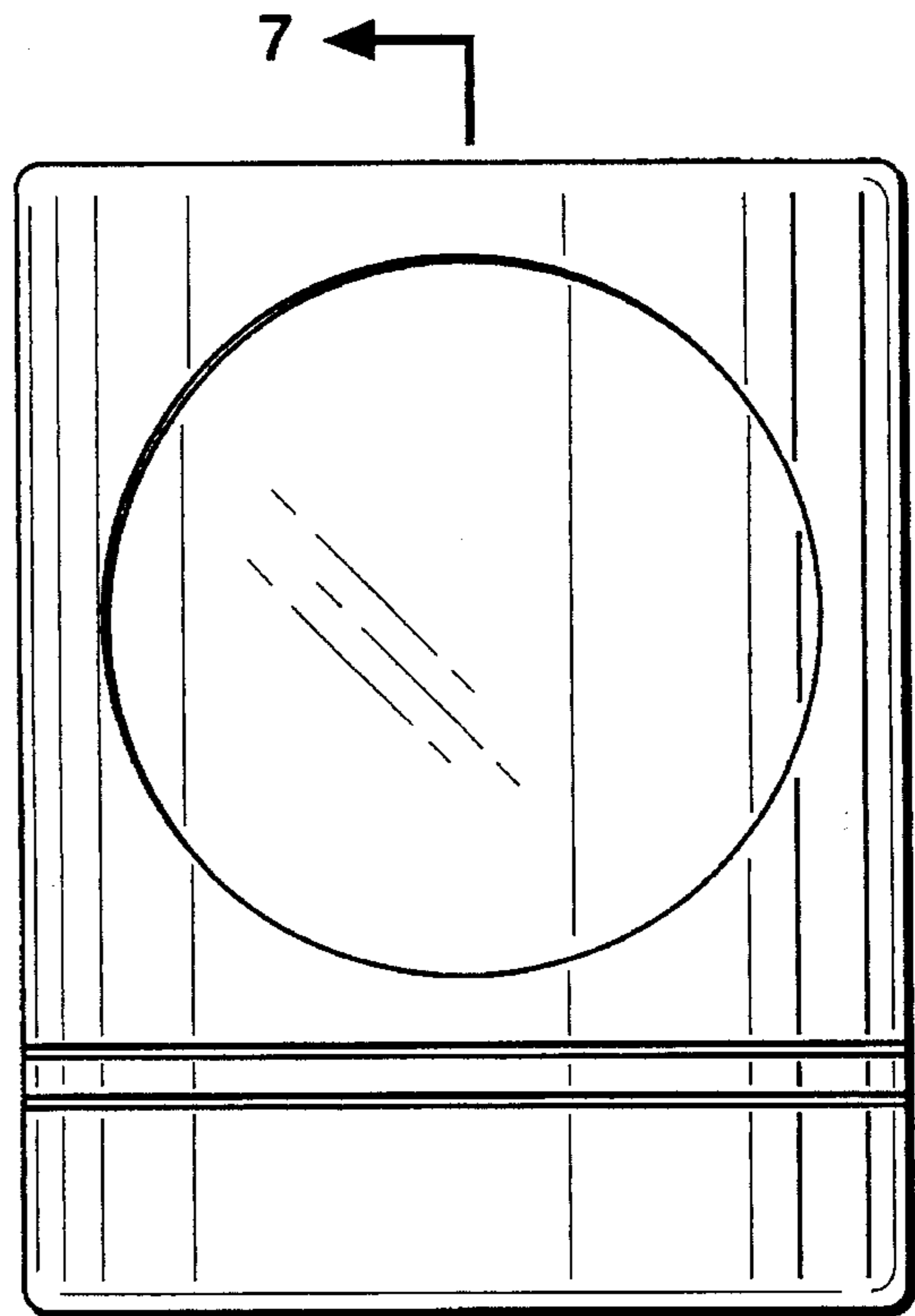


FIG._2

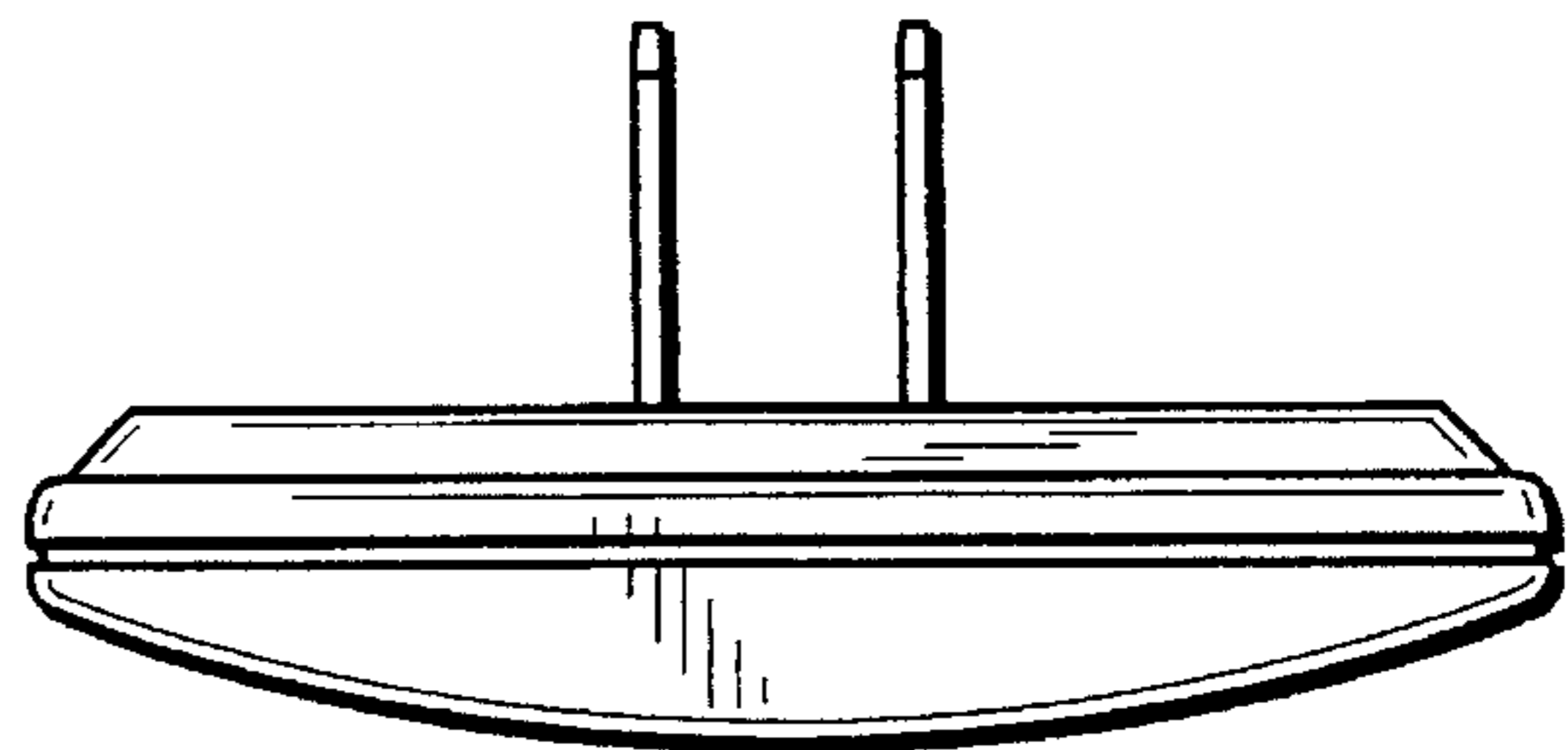


FIG._3

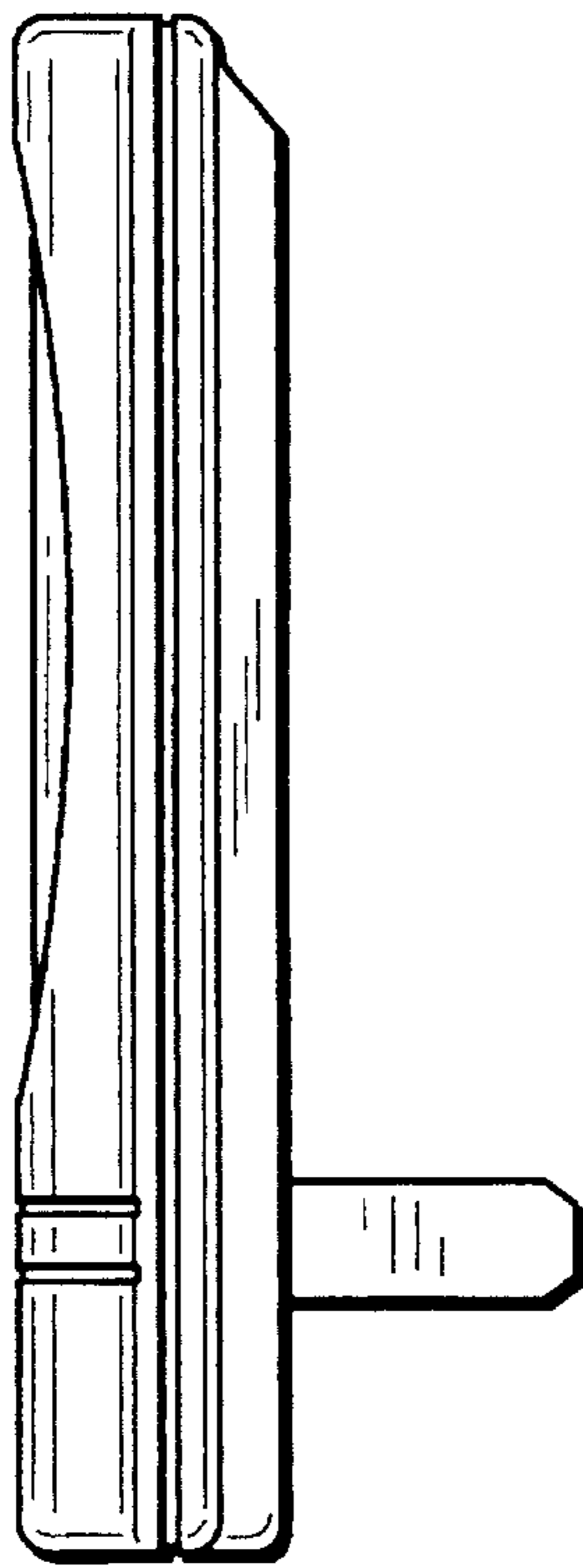


FIG._4

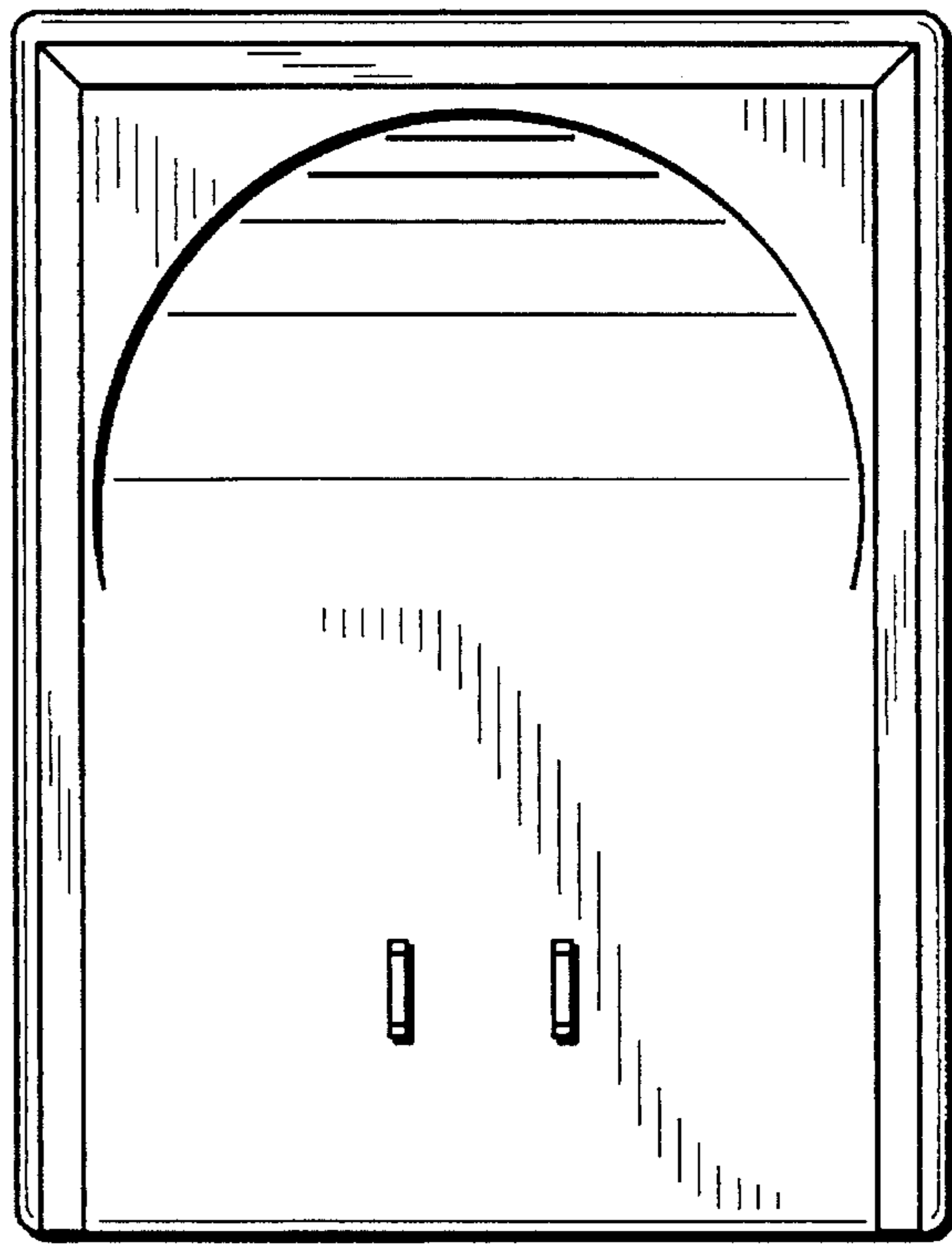


FIG._5

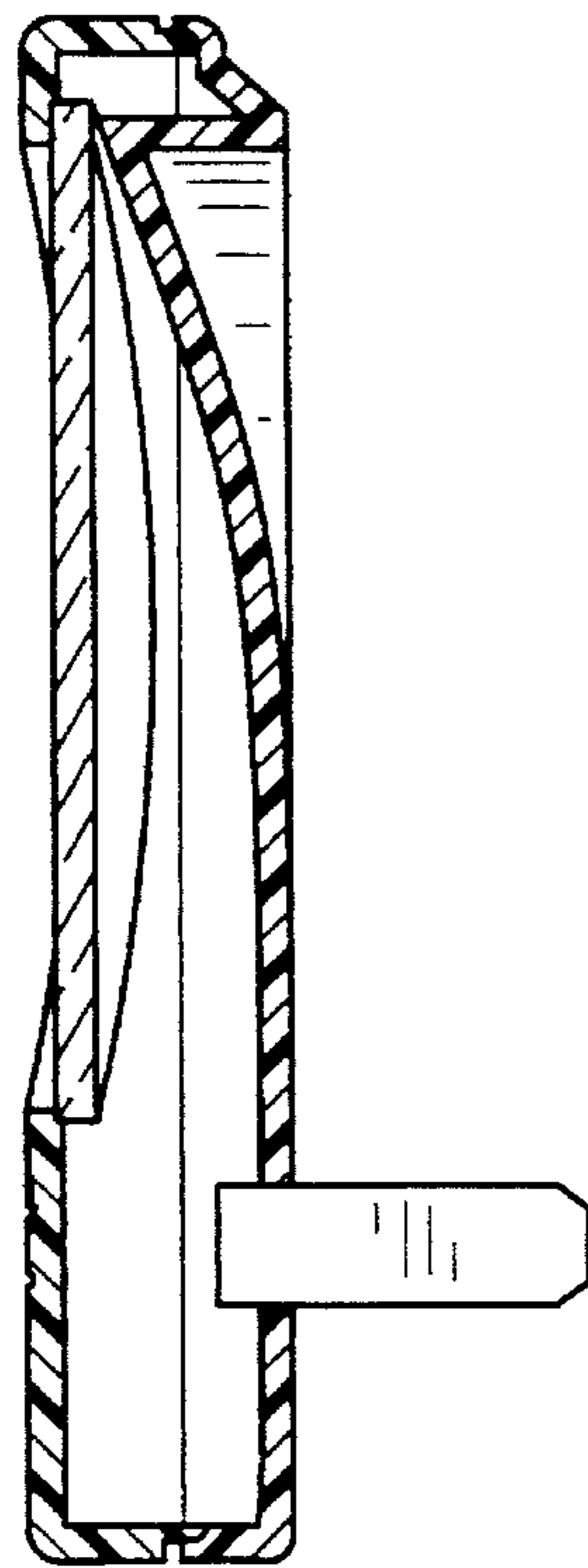


FIG._7

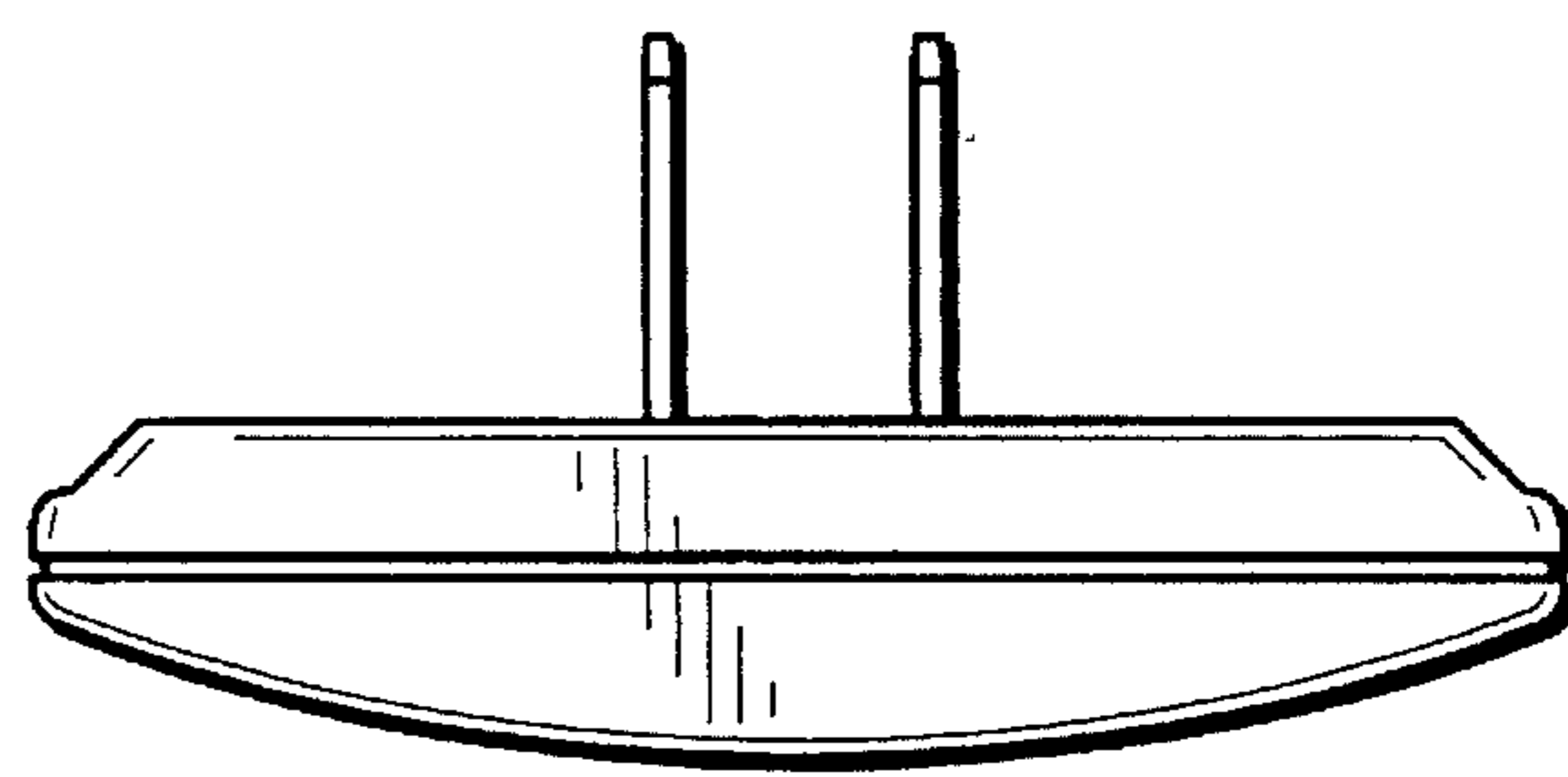


FIG._6