



US00D376211S

United States Patent [19]
DiGiorgio

[11] **Patent Number:** **Des. 376,211**

[45] **Date of Patent:** ****Dec. 3, 1996**

[54] **CASEMENT FRAME**

D. 307,802 5/1990 Westphal et al. D25/124

[75] Inventor: **Tony DiGiorgio**, Woodbridge, Canada

Primary Examiner—Doris Clark

[73] Assignee: **Dominion Plastics Inc.**, Woodbridge, Canada

[57] **CLAIM**

[**] Term: **14 Years**

The ornamental design for a casement frame, as shown and described.

[21] Appl. No.: **45,702**

DESCRIPTION

[22] Filed: **Oct. 27, 1995**

[52] U.S. Cl. **D25/124**

[58] **Field of Search** D25/52, 122-125;
52/204.5, 730.3, 730.4, 730.5; 49/504, 505,
DIG. 2

FIG. 1 is a perspective view from one side of the casement frame; and,

FIG. 2 is a perspective view from the other side of the casement frame.

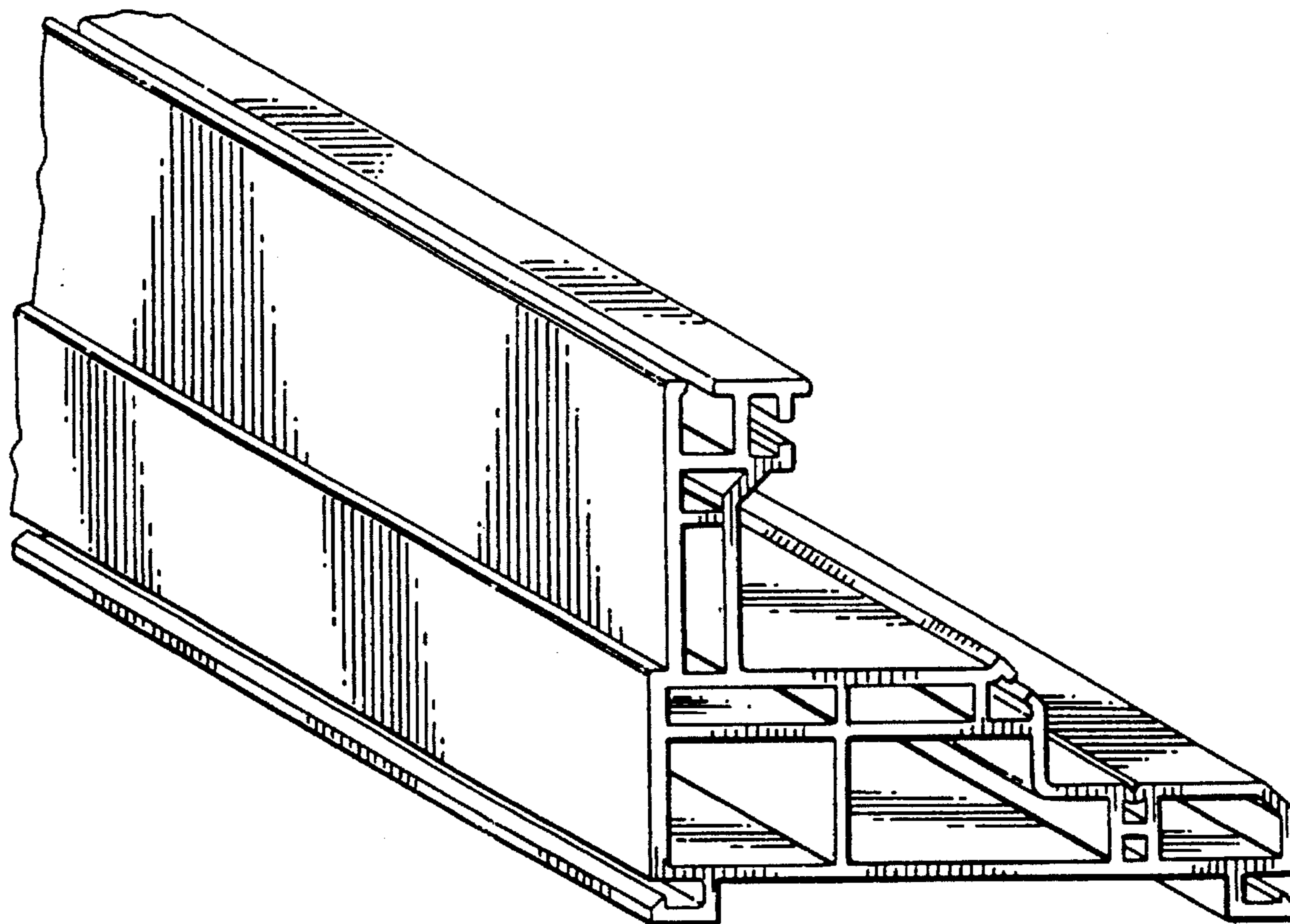
The casement frame is broken away on the end to indicate indeterminate length.

[56] **References Cited**

U.S. PATENT DOCUMENTS

D. 285,612 9/1986 Slocomb, Jr. D25/124

1 Claim, 1 Drawing Sheet



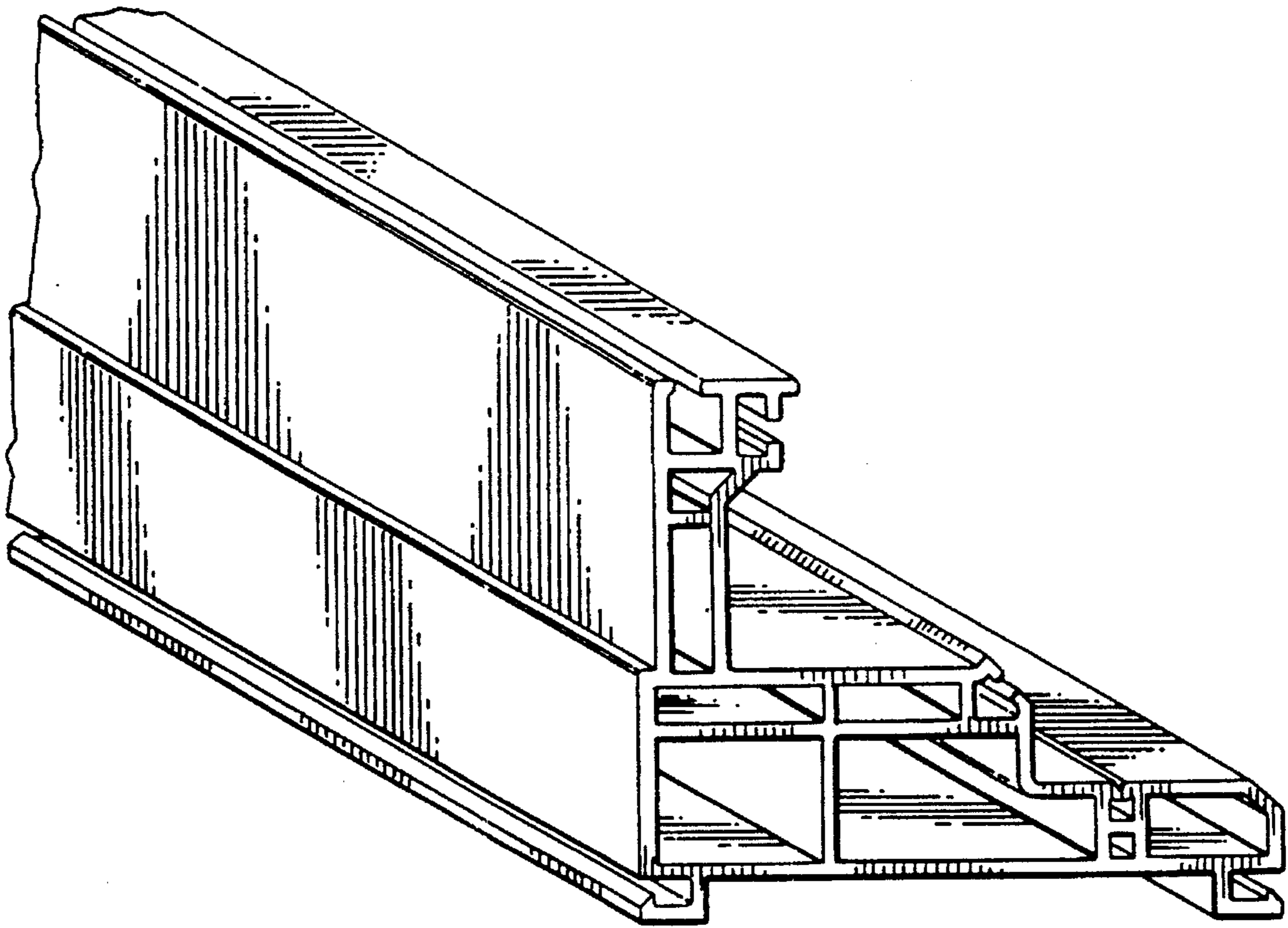


FIG. 1.

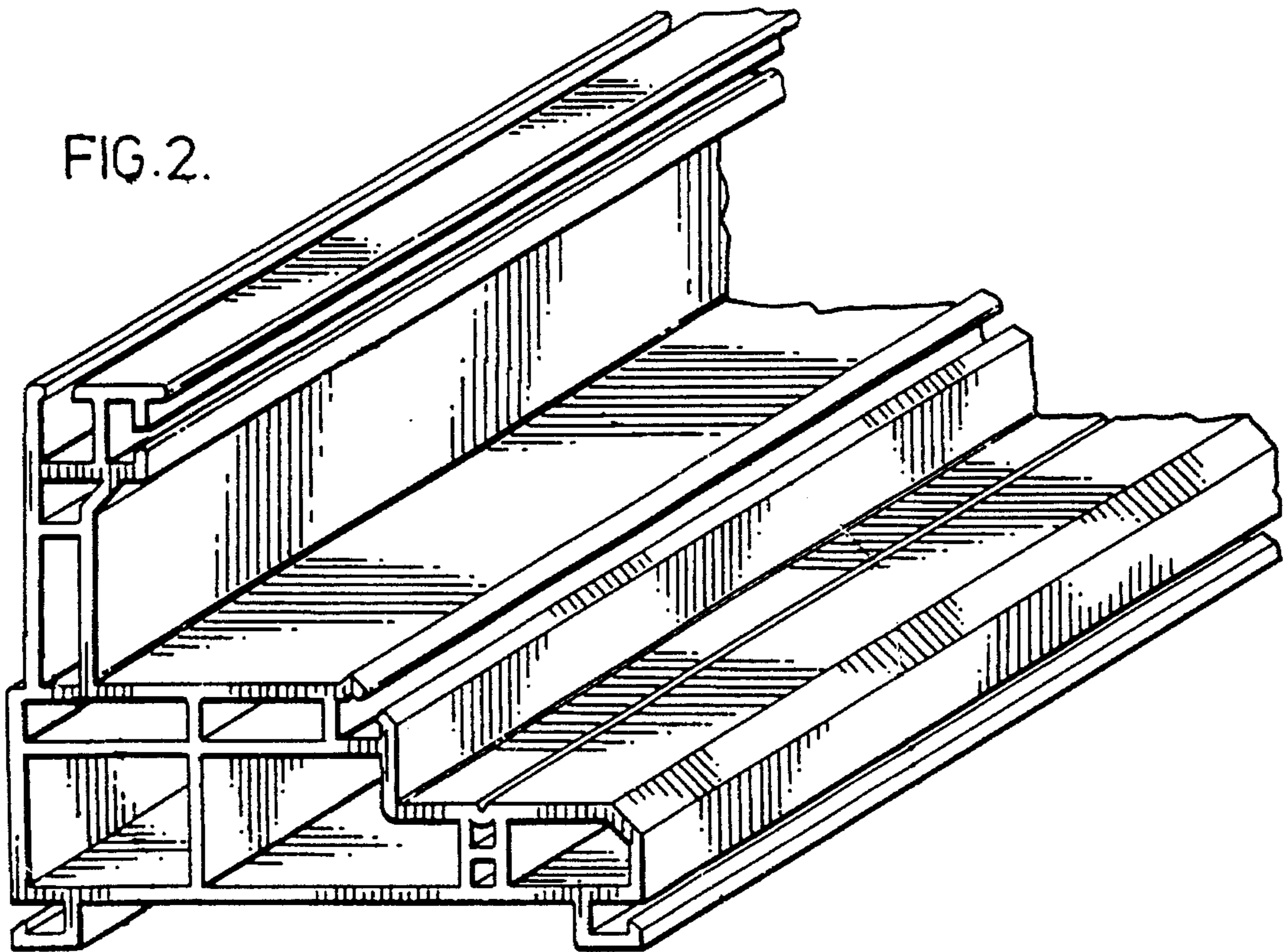


FIG. 2.